



US00D375926S

United States Patent [19]

Snyder

[11] Patent Number: **Des. 375,926**

[45] Date of Patent: ****Nov. 26, 1996**

[54] **REARVIEW MIRROR**

[76] Inventor: **Carl E. Snyder**, 11931 N. Tami Pl., Tucson, Ariz. 85737

[**] Term: **14 Years**

[21] Appl. No.: **39,478**

[22] Filed: **May 26, 1995**

[52] U.S. Cl. **D12/187**

[58] Field of Search **D12/187; 359/838, 359/844, 848, 850, 855, 856, 864, 866**

[56] **References Cited**

U.S. PATENT DOCUMENTS

D. 219,337	12/1970	Monos	D12/187
D. 285,188	8/1986	Recht	D12/187
3,501,227	3/1970	Landen	359/866
4,245,894	1/1981	Luchtenberg	359/866

Primary Examiner—A. Hugo Word
Assistant Examiner—Lavone D. Tabor
Attorney, Agent, or Firm—Harold H. Dutton, Jr.; W. Charles L. Jamison; Diane F. Liebman

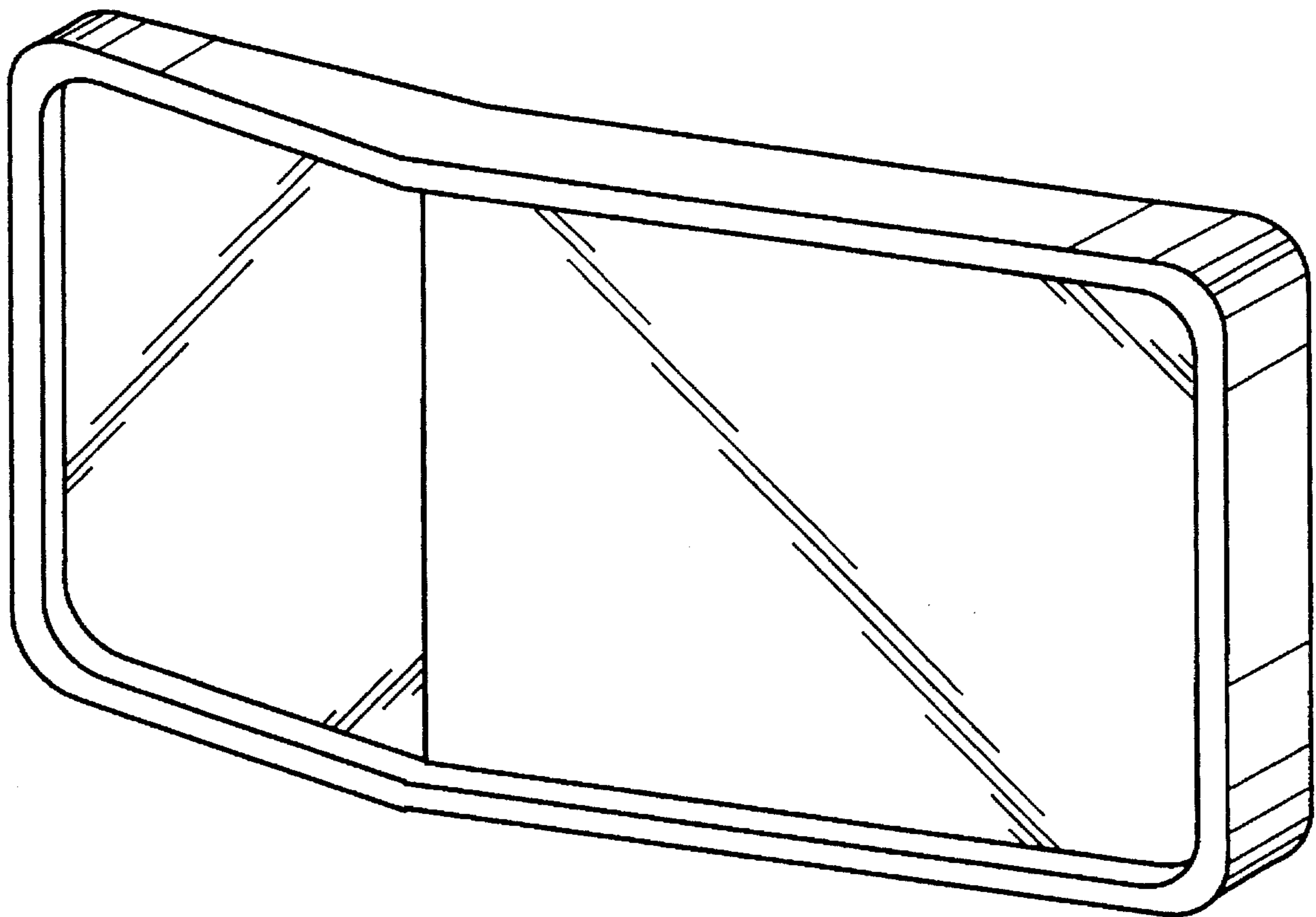
[57] **CLAIM**

The ornamental design for a rearview mirror, as shown.

DESCRIPTION

FIG. 1 is a front perspective view of a rearview mirror showing my new design;
FIG. 2 is another perspective view thereof;
FIG. 3 is a rear view thereof;
FIG. 4 is a top view thereof;
FIG. 5 is a bottom view thereof;
FIG. 6 is a left side view thereof; and,
FIG. 7 is a right side view thereof.

1 Claim, 4 Drawing Sheets



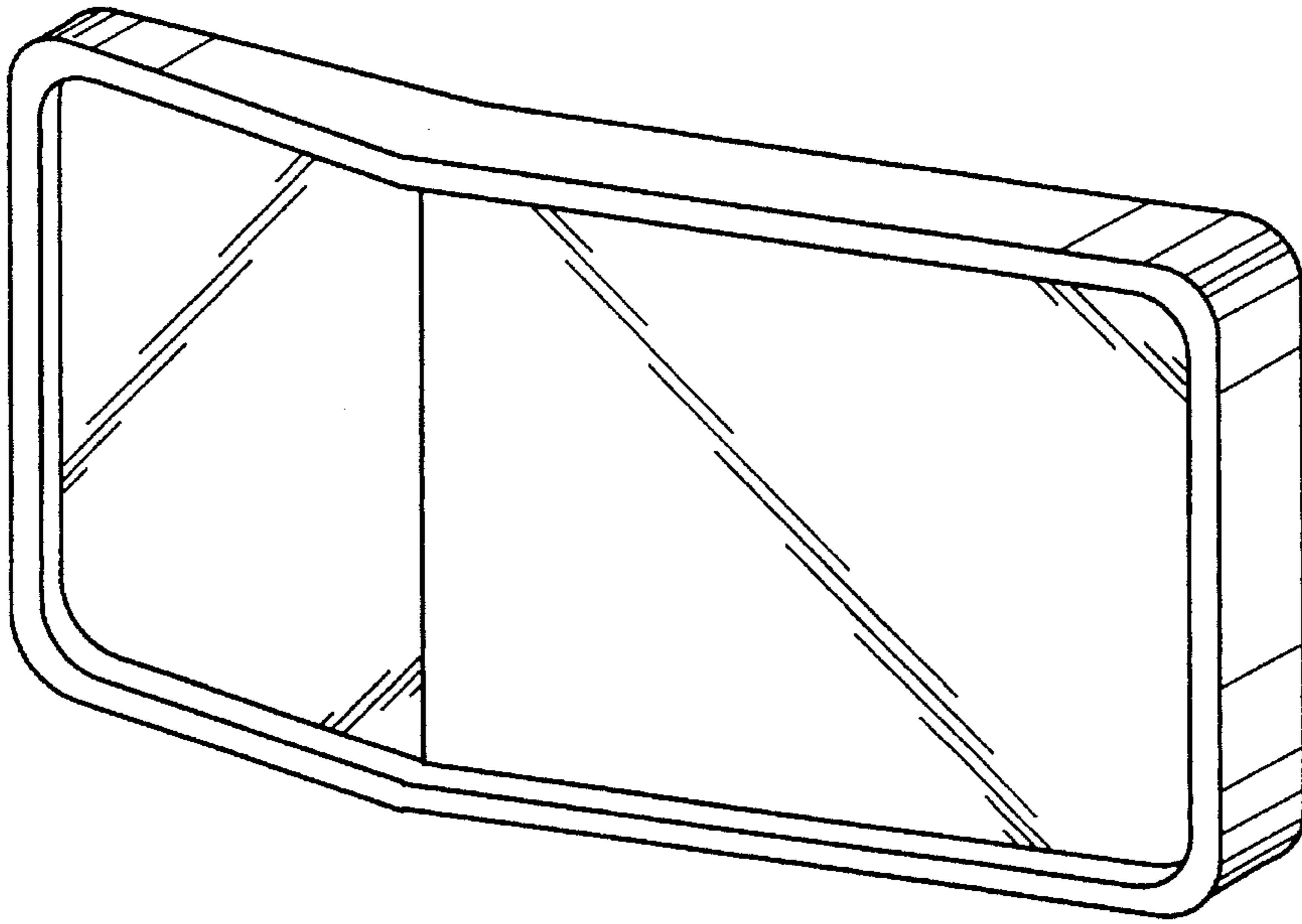


FIG. 1

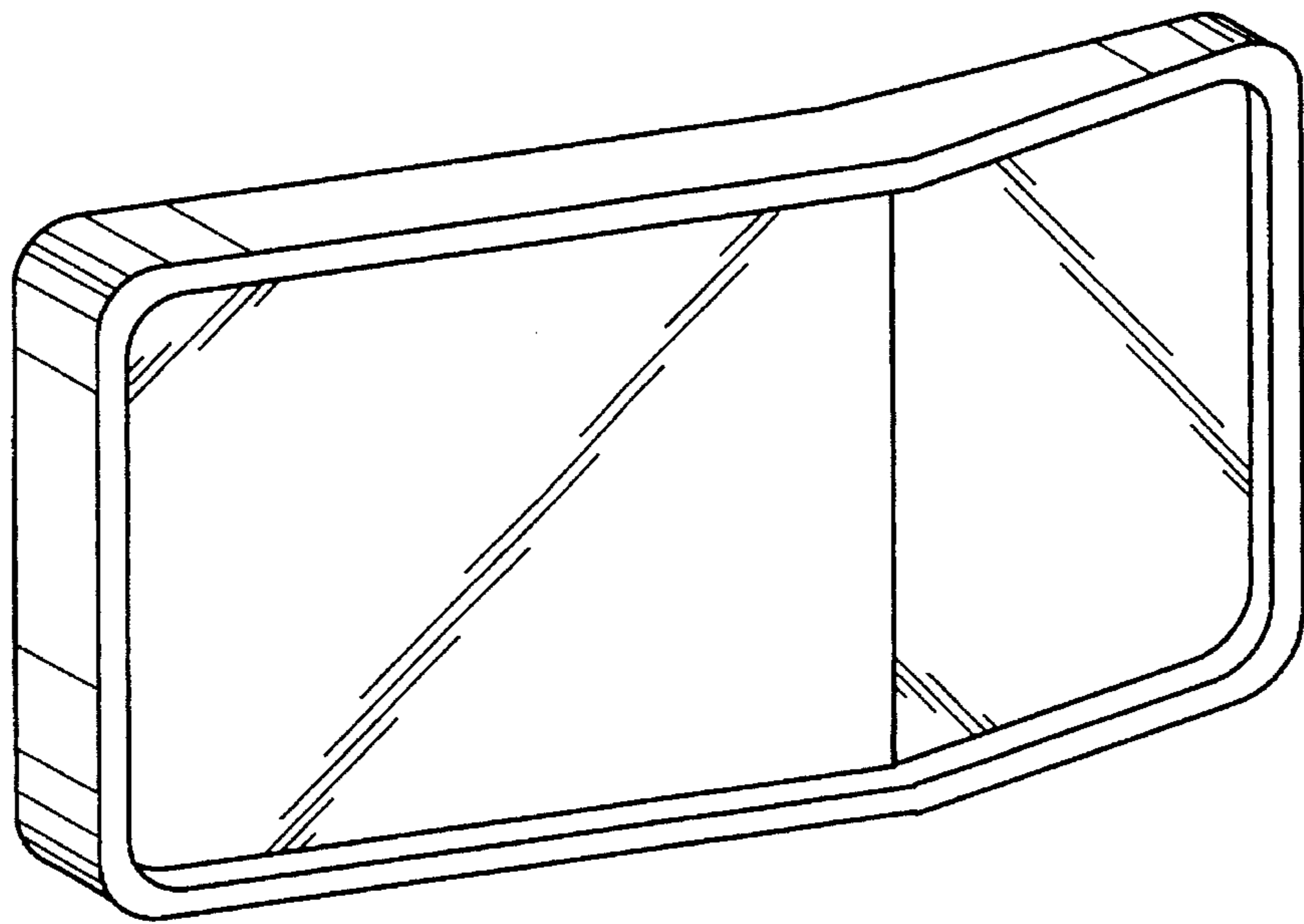


FIG. 2

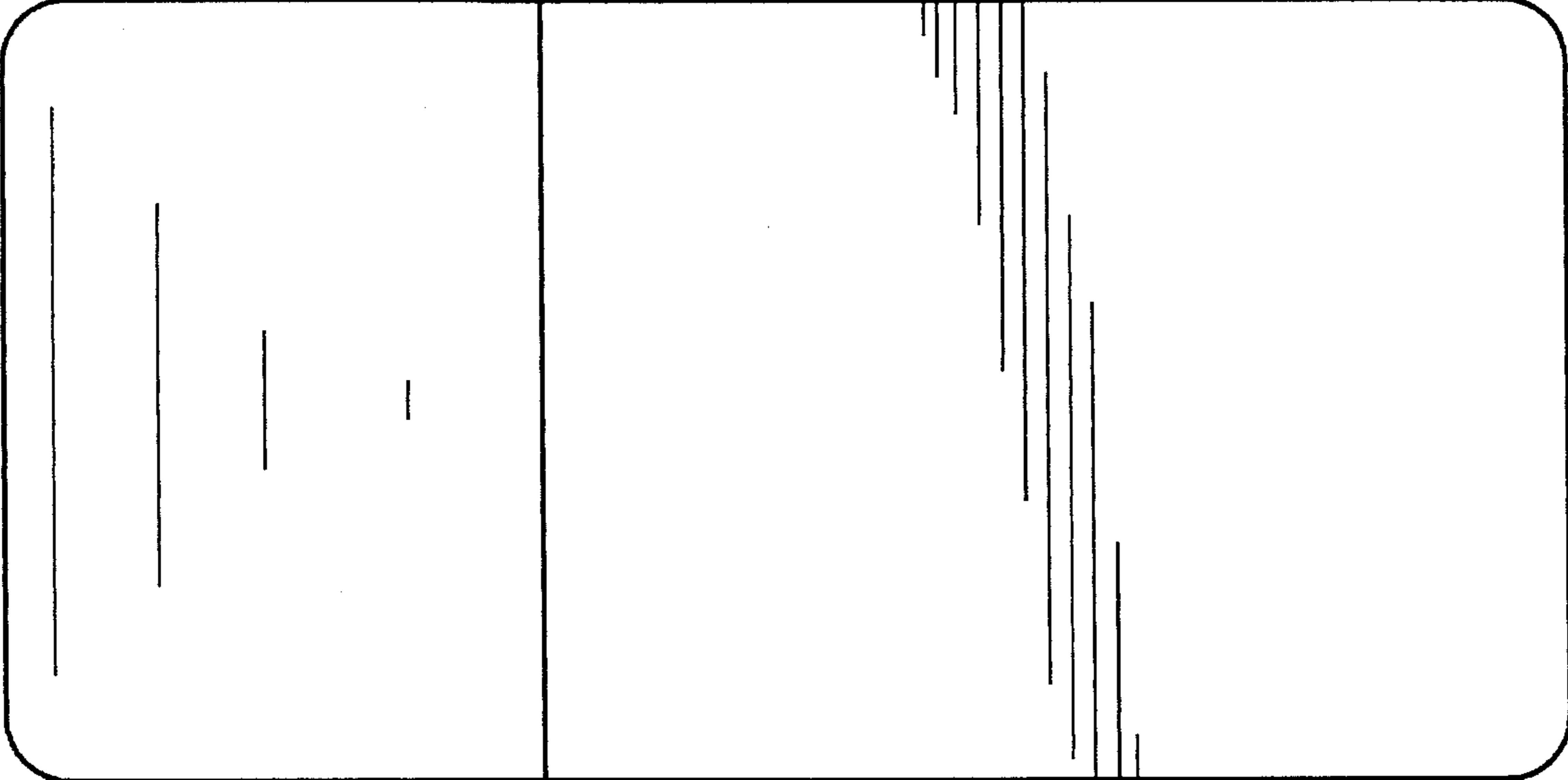


FIG. 3

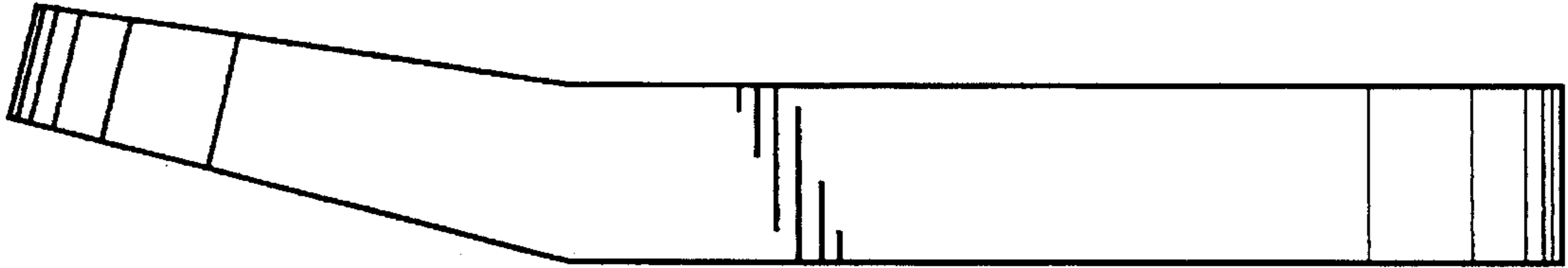


FIG. 4



FIG. 5

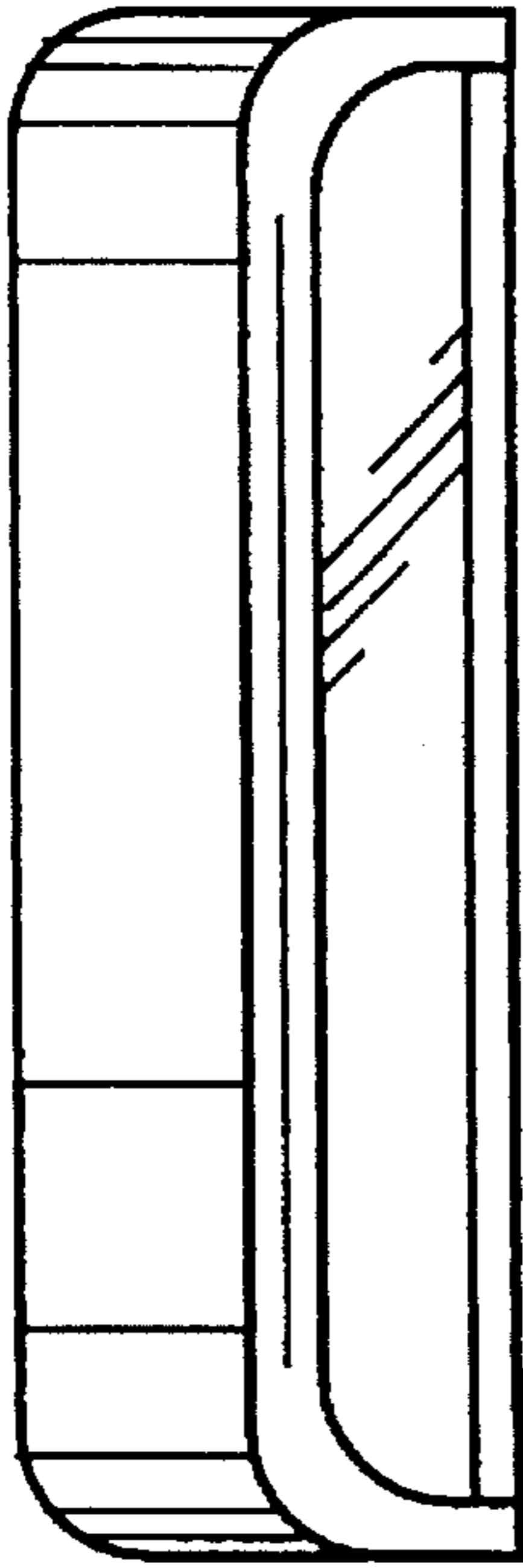


FIG. 6

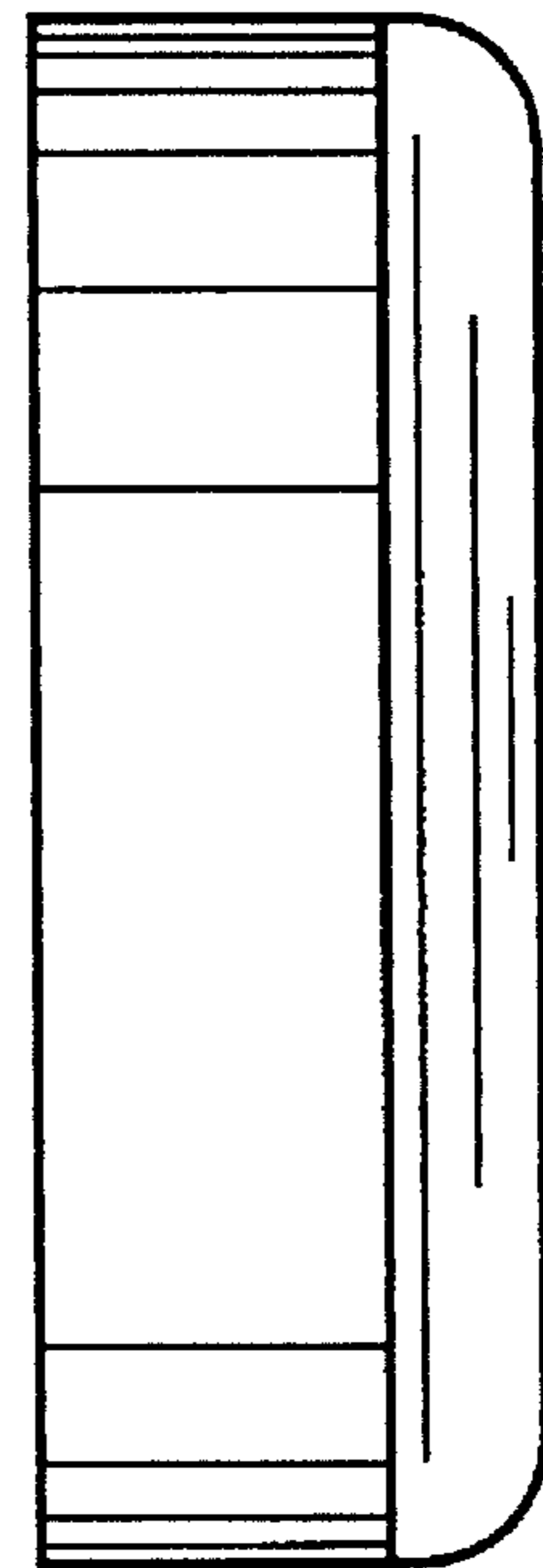


FIG. 7