



US00D375922S

United States Patent [19]
von Giese

[11] **Patent Number: Des. 375,922**

[45] **Date of Patent: **Nov. 26, 1996**

[54] **BICYCLE CHAIN TENSIONER**

[75] Inventor: **Mark von Giese**, Morgan Hill, Calif.

[73] Assignee: **VG Components**, Morgan Hill, Calif.

[**] Term: **14 Years**

[21] Appl. No.: **27,619**

[22] Filed: **Aug. 25, 1994**

[52] U.S. Cl. **D12/117**

[58] Field of Search D12/117; 474/135,
474/111, 110, 138, 134

[56] **References Cited**

U.S. PATENT DOCUMENTS

5,055,088 10/1991 Craddock et al. 474/111
5,221,236 6/1993 Raymer et al. 474/109

Primary Examiner—A. Hugo Word

Assistant Examiner—Holly H. Baynham

Attorney, Agent, or Firm—James J. Leary; Carol A. Duffield

[57] **CLAIM**

The ornamental design for a bicycle chain tensioner, as shown and described.

DESCRIPTION

FIG. 1 is a perspective view of the bicycle chain tensioner; FIG. 2 is an environmental right side view with the broken line showing of fragmented bicycle spokes and frame being for illustrative purposes only and forming no part of the claimed design;

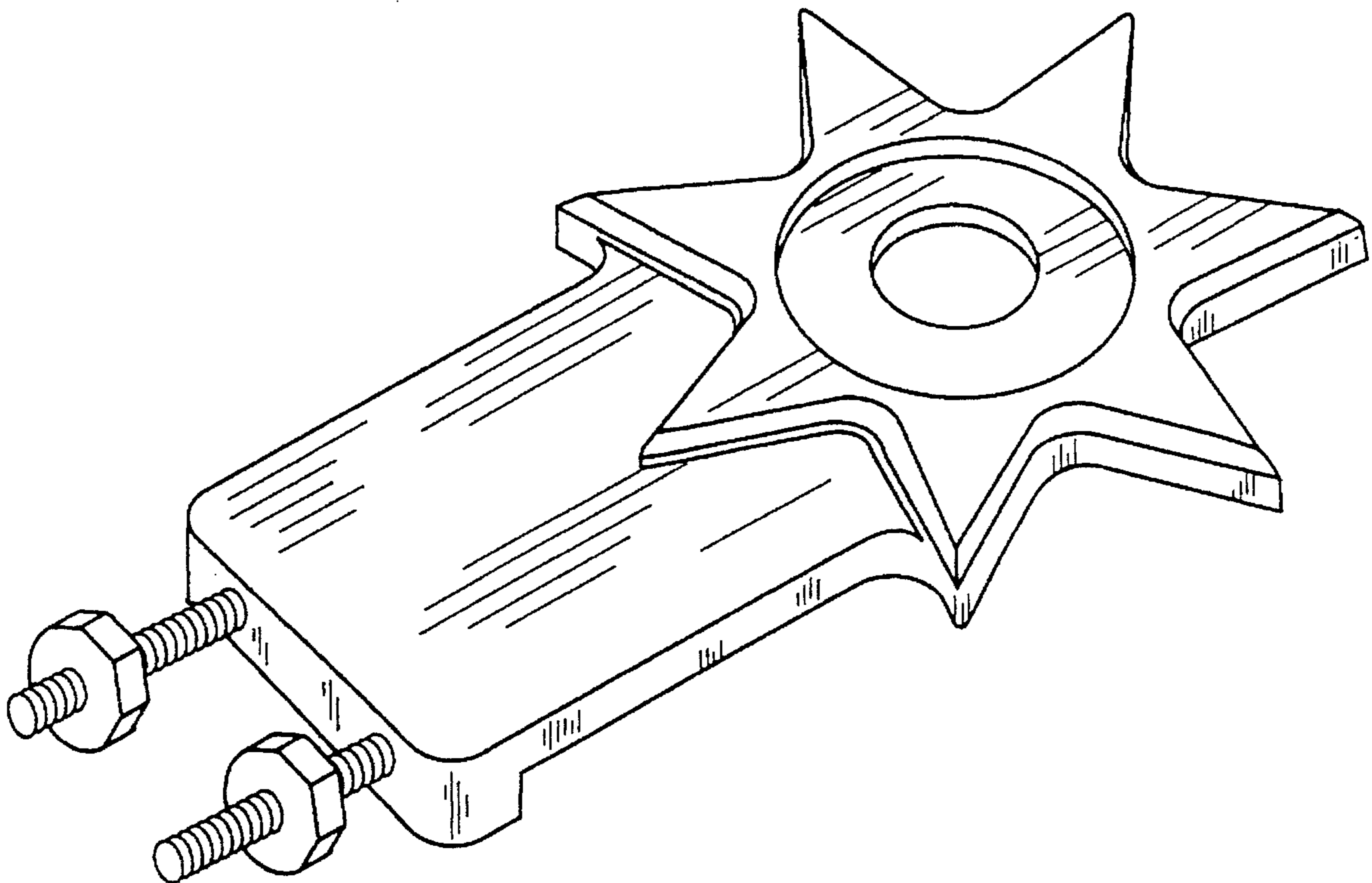
FIG. 3 is a reduced front view of the bicycle chain tensioner; FIG. 4 is a reduced left side view of the bicycle chain tensioner;

FIG. 5 is a reduced top view of the bicycle chain tensioner; FIG. 6 is a reduced right side view of the bicycle chain tensioner;

FIG. 7 is a reduced bottom view of the bicycle chain tensioner; and,

FIG. 8 is a reduced back view of the bicycle chain tensioner.

1 Claim, 3 Drawing Sheets



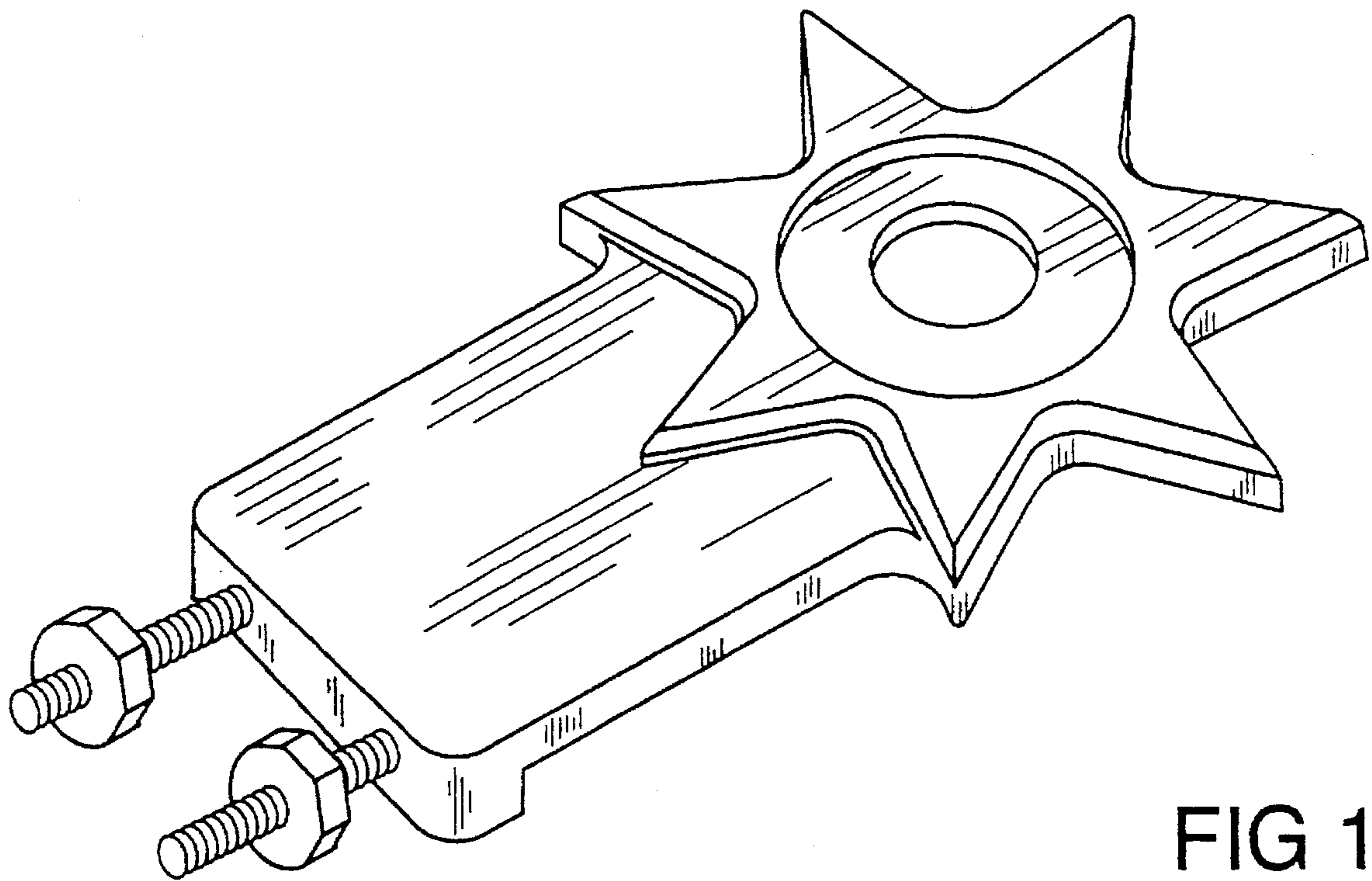
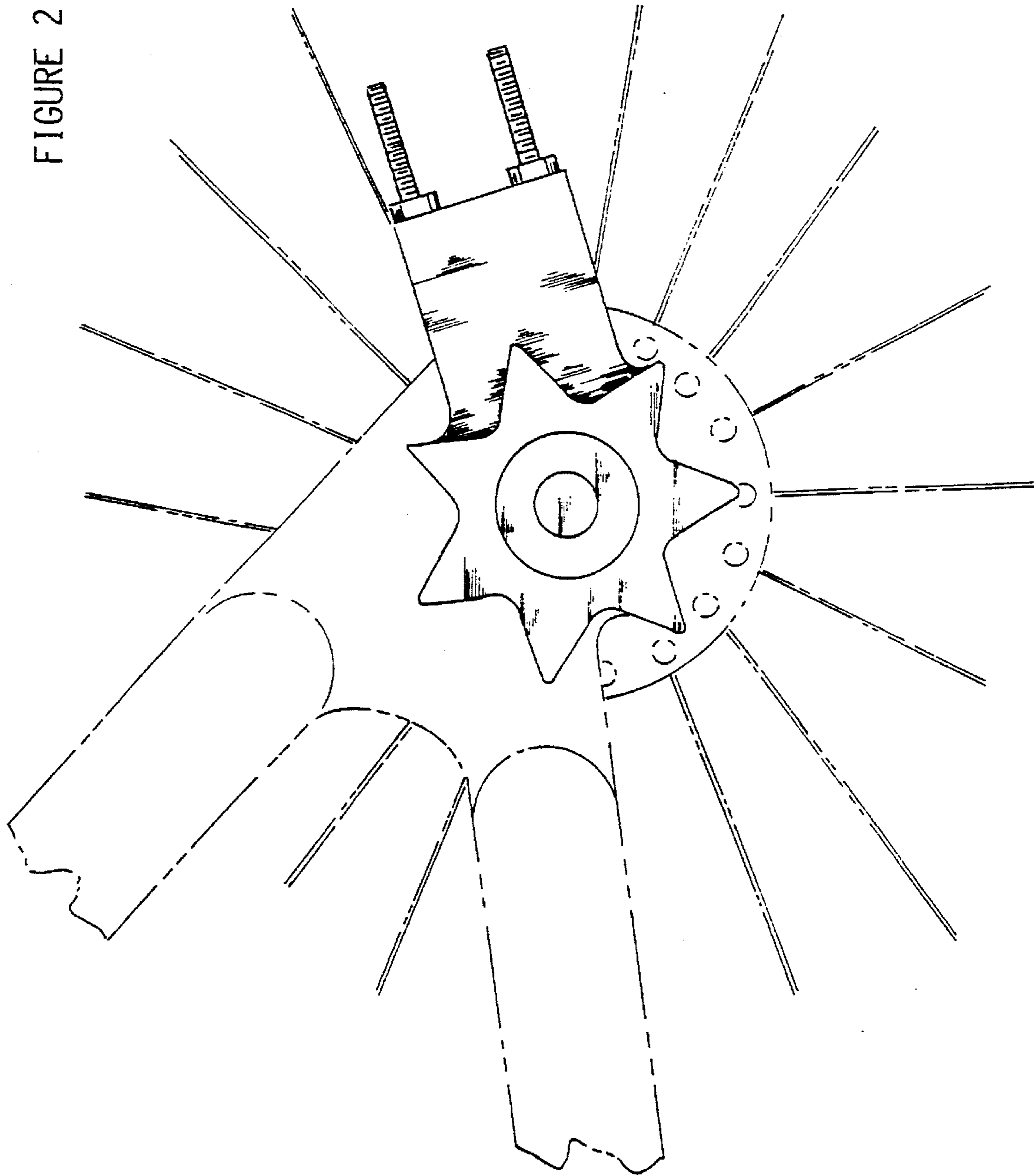


FIG 1

FIGURE 2



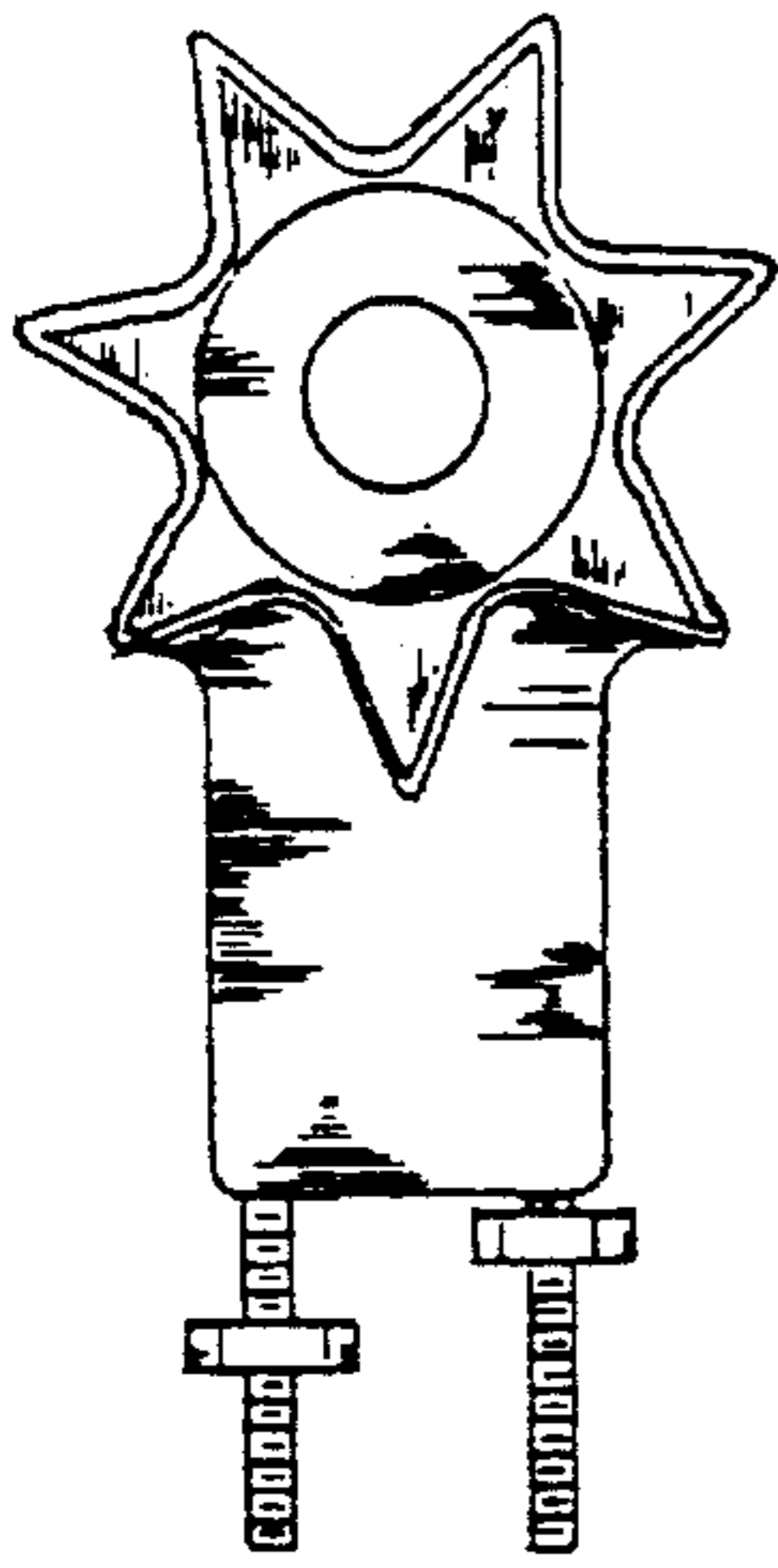


FIGURE 3



FIGURE 4

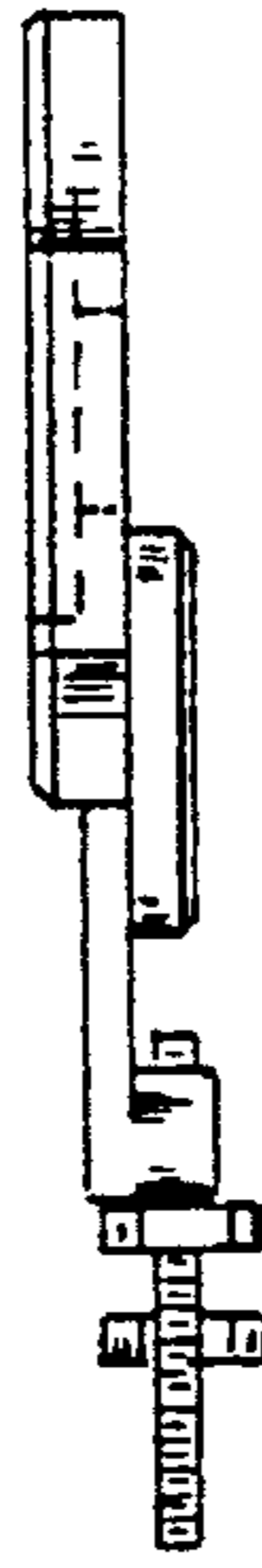


FIGURE 5



FIGURE 6

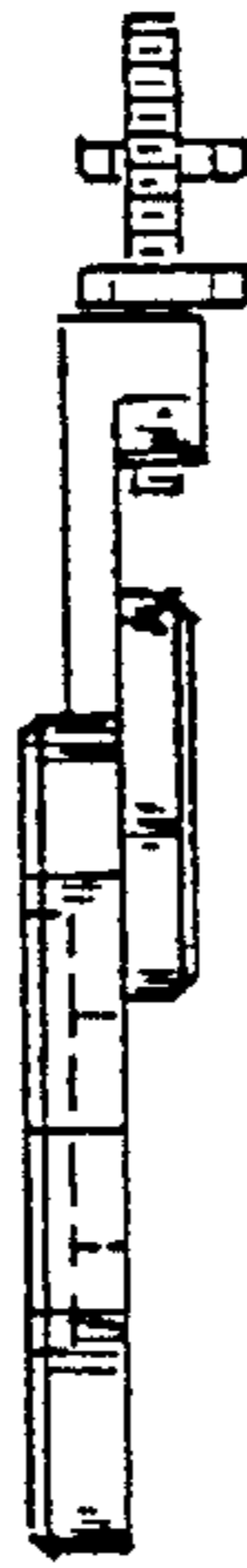


FIGURE 7

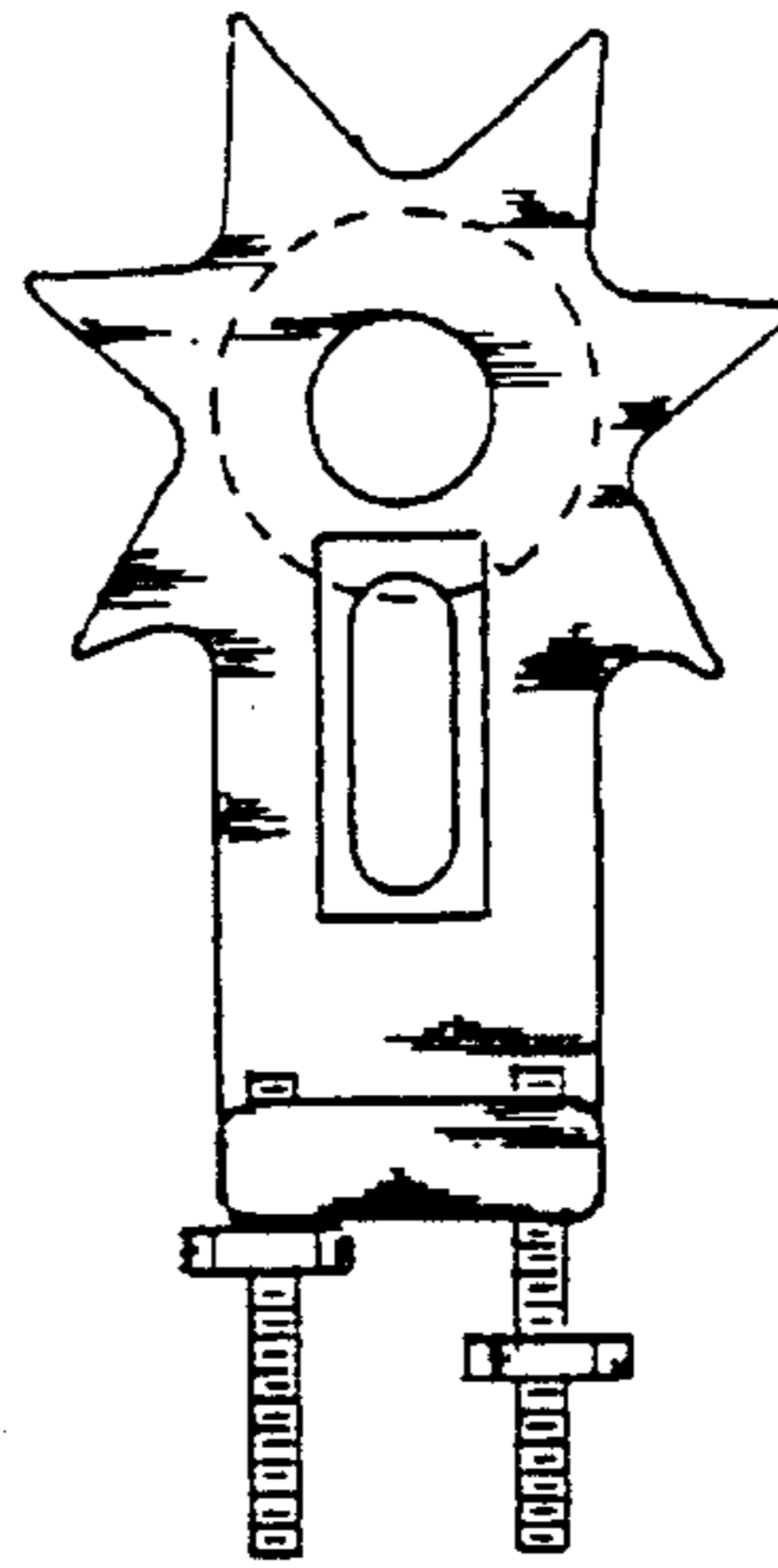


FIGURE 8