



US00D375921S

United States Patent [19]
Kunkle

[11] **Patent Number: Des. 375,921**
[45] **Date of Patent: **Nov. 26, 1996**

[54] **TRANSPORT TRAILER**

[76] Inventor: **Rodger A. Kunkle**, 3085 Serenity Dr.,
Crestview, Fla. 32539

[**] Term: **14 Years**

[21] Appl. No.: **35,426**

[22] Filed: **Feb. 27, 1995**

[52] U.S. Cl. **D12/101**

[58] Field of Search D12/101; 280/656,
280/63, 789, 426, 442

[56] **References Cited**

U.S. PATENT DOCUMENTS

D. 277,271	1/1985	Law	D12/101
D. 312,990	12/1990	Gerdes	D12/101
D. 331,207	11/1992	Phelps	D12/101
3,734,540	5/1973	Theerwann	D12/101

Primary Examiner—Melody N. Brown
Attorney, Agent, or Firm—George A. Bode

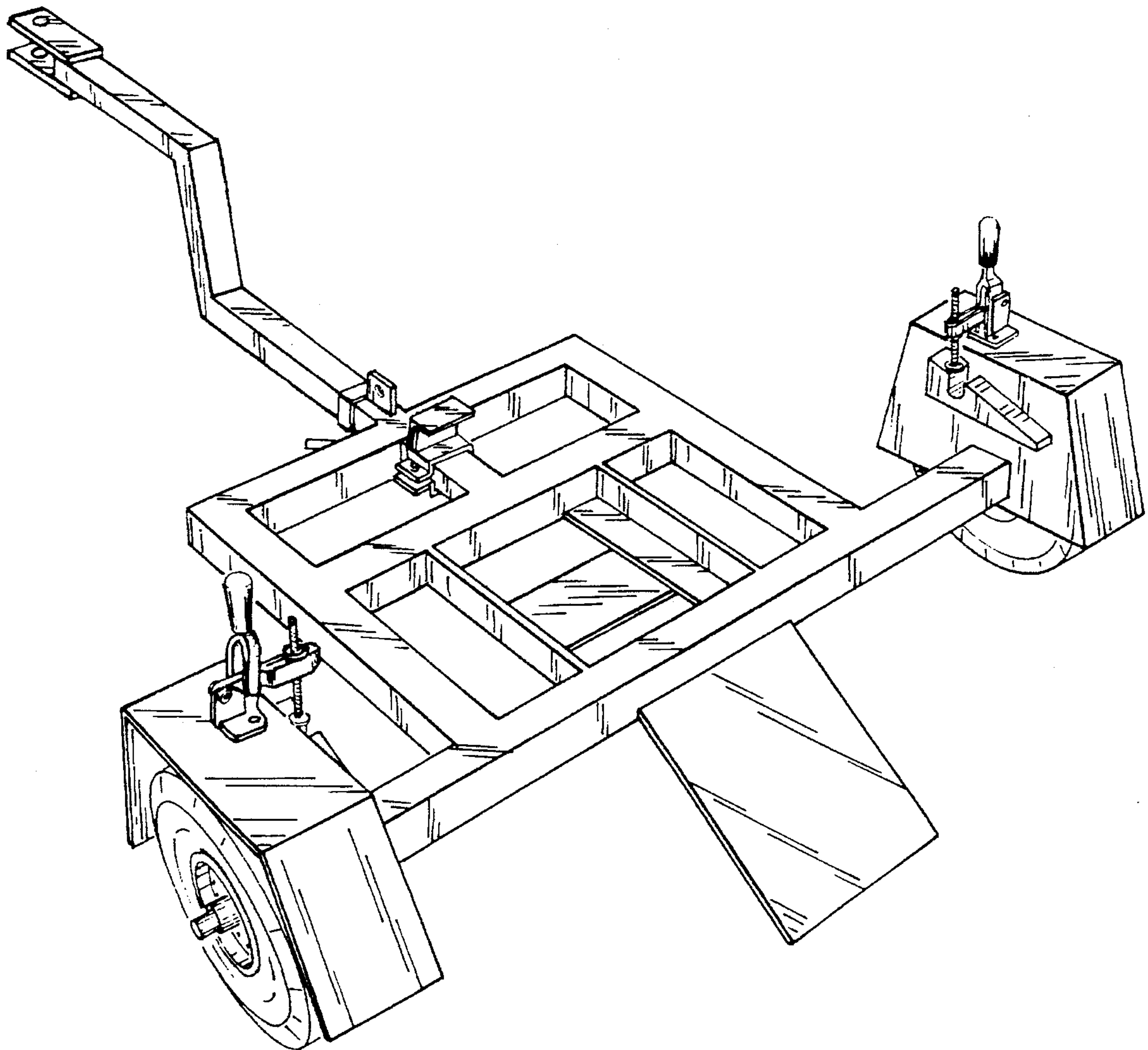
[57] **CLAIM**

The ornamental design for a transport trailer, as shown and described.

DESCRIPTION

FIG. 1 is a top plan view of a transport trailer showing my new design;
FIG. 2 is a bottom plan view thereof;
FIG. 3 is a right side view thereof;
FIG. 4 is a left side view thereof;
FIG. 5 is a rear elevational view thereof;
FIG. 6 is a front elevational view thereof; and,
FIG. 7 is a top, rear and left side perspective view thereof.

1 Claim, 5 Drawing Sheets



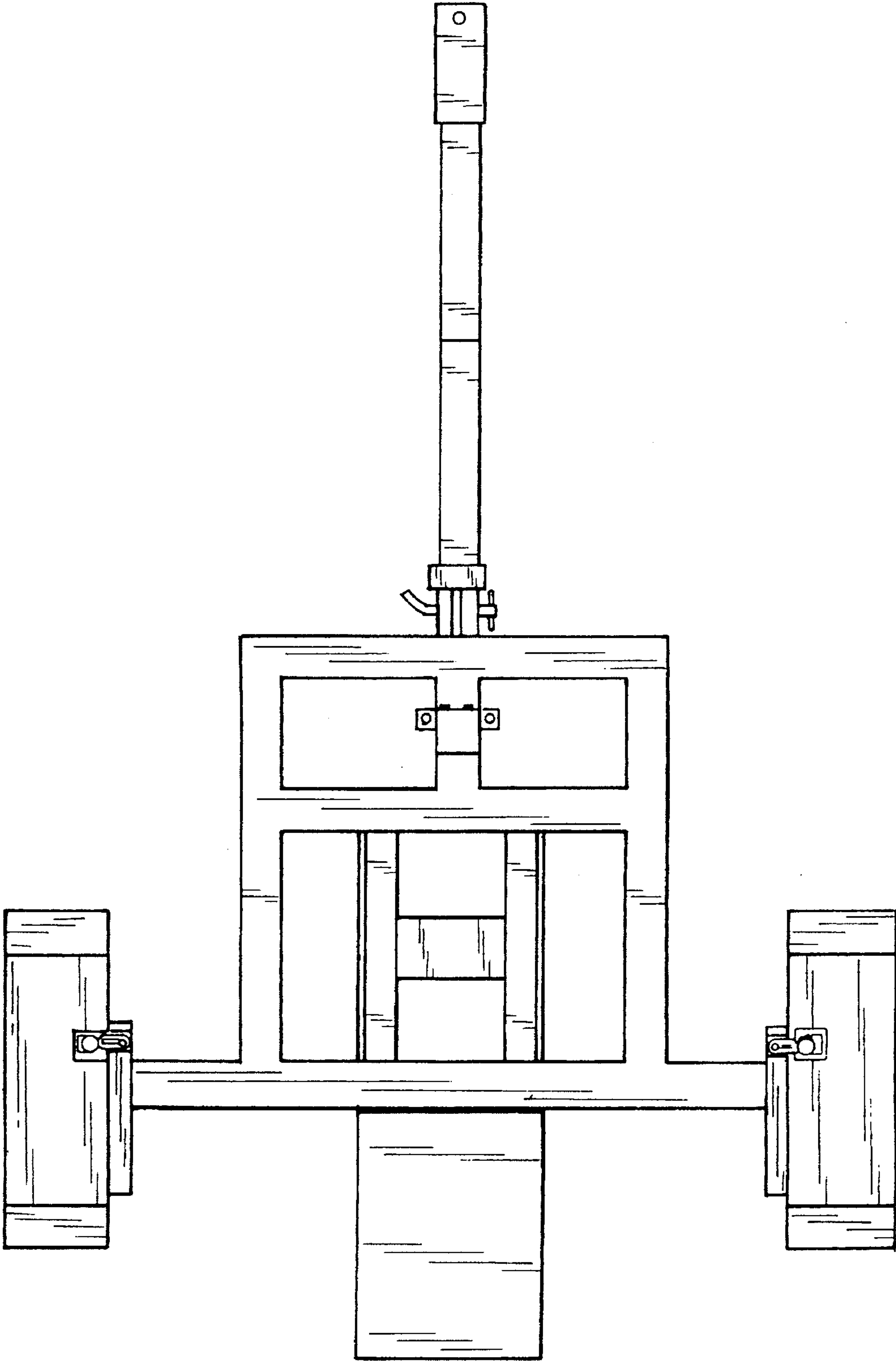


FIG. 1

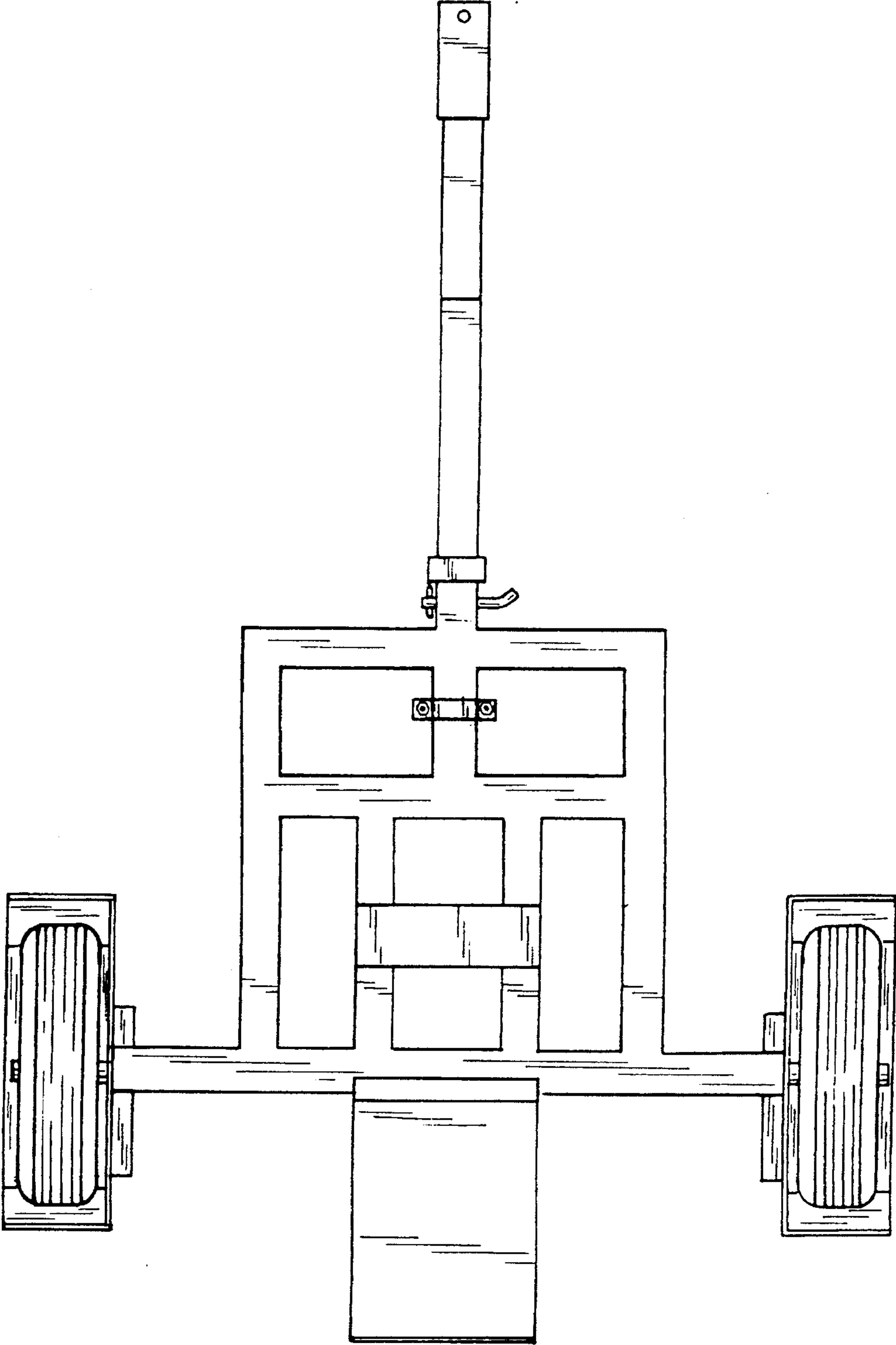


FIG. 2

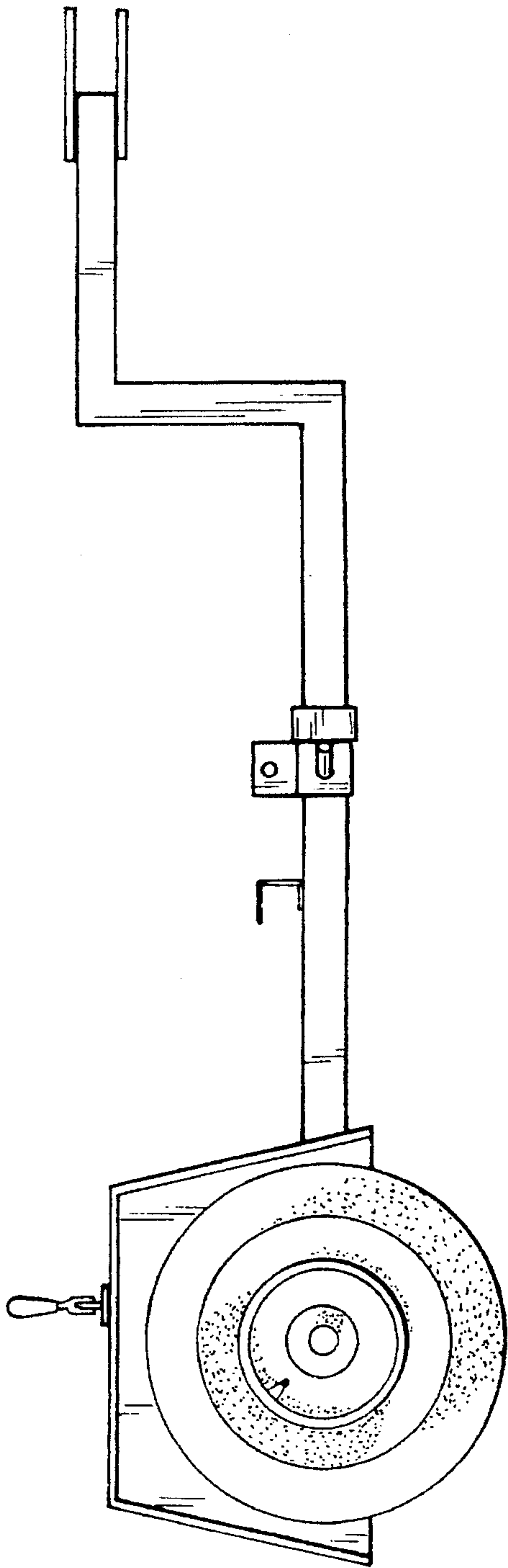


FIG. 3

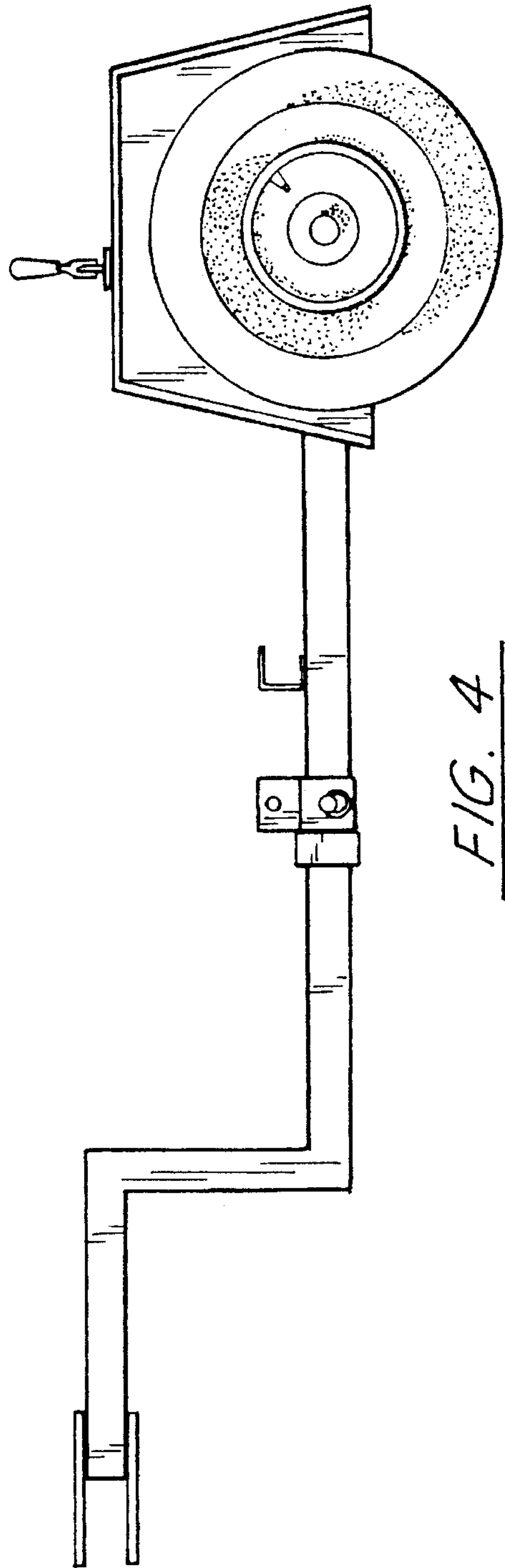


FIG. 4

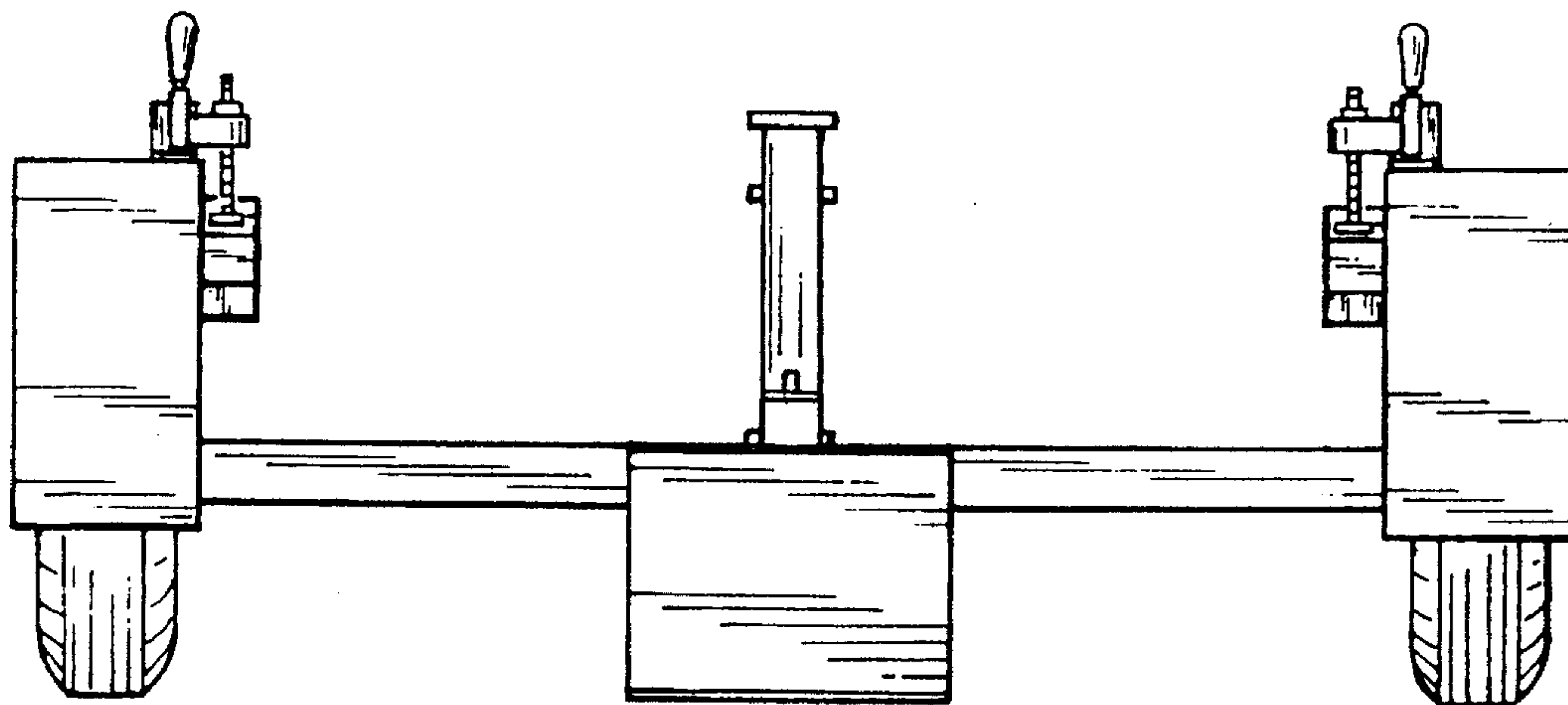


FIG. 5

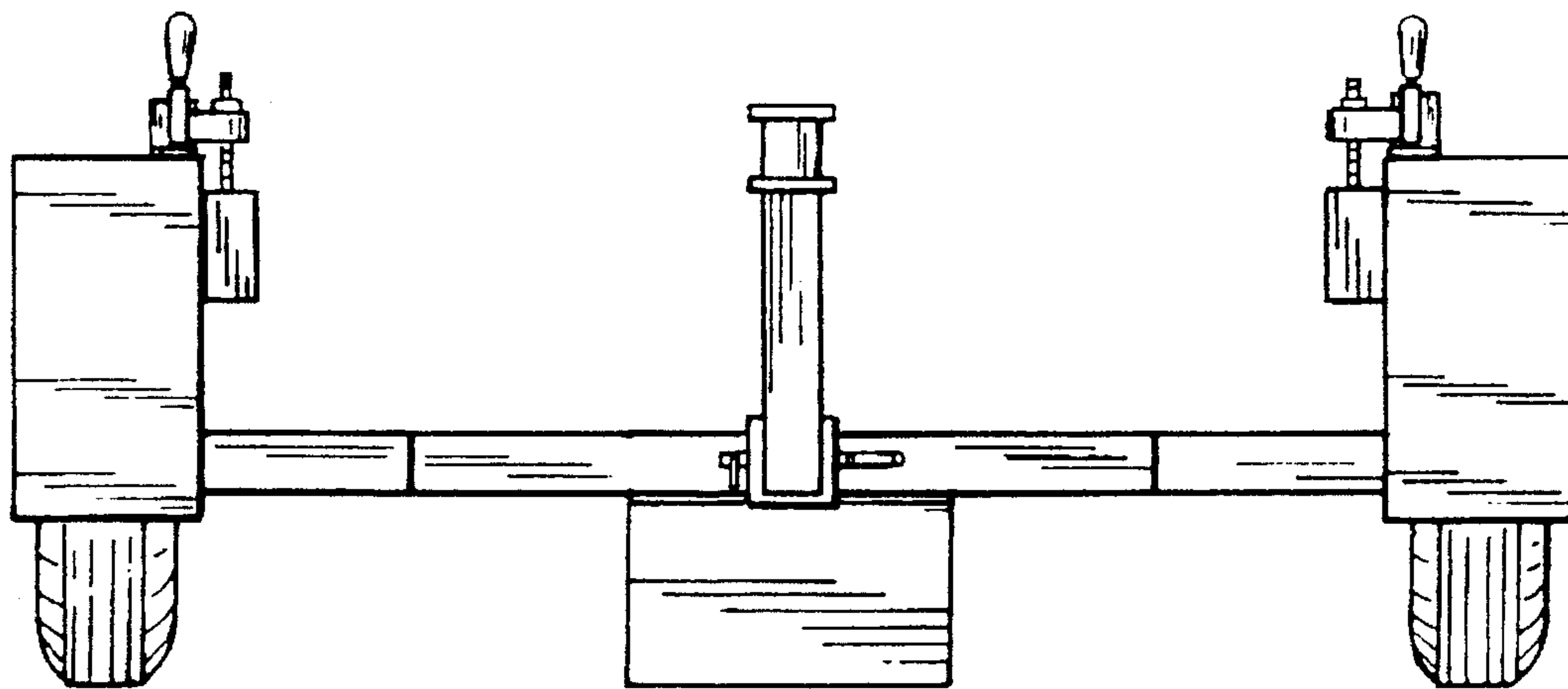


FIG. 6

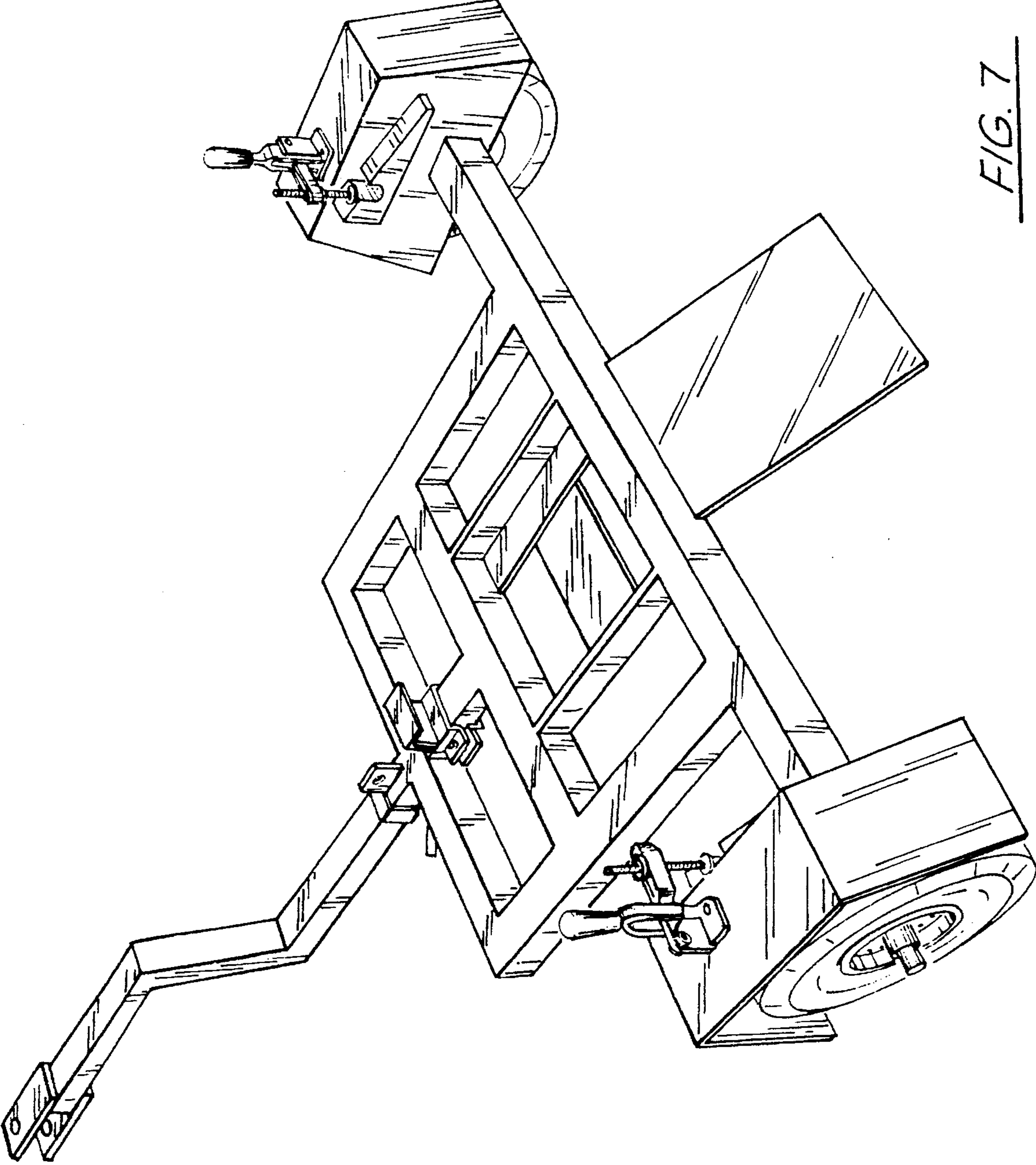


FIG. 7