



US00D375913S

United States Patent [19]

[11] Patent Number: **Des. 375,913**

Rozenwasser

[45] Date of Patent: ****Nov. 26, 1996**

[54] **JEWELRY CHAIN**

[76] Inventor: **David Rozenwasser**, 26 Har Dafna Street, Savion, Israel

[**] Term: **14 Years**

[21] Appl. No.: **29,028**

[22] Filed: **Sep. 27, 1994**

[30] **Foreign Application Priority Data**

May 25, 1994 [IL] Israel 22661

[52] U.S. Cl. **D11/13; D11/93**

[58] Field of Search D11/1-18, 93-94, D11/54, 86; 59/78, 80, 82-84, 90, 92; 63/1.1-2, 3-11

[56] **References Cited**

U.S. PATENT DOCUMENTS

D. 321,148 10/1991 Chiaramonti et al. D11/93

D. 337,073 7/1993 Bedoyan D11/13

D. 340,422 10/1993 Grando D11/93

D. 343,136 1/1994 Grando D11/12

D. 343,806 2/1994 Bedoyan D11/13

D. 346,131 4/1994 Chiaramonti et al. D11/13

D. 362,203 9/1995 Grando D11/3

Primary Examiner—Ralf Seifert
Attorney, Agent, or Firm—Helfgott & Karas, P.C.

1 Claim, 3 Drawing Sheets

[57] **CLAIM**

The ornamental design for a jewelry chain, as shown and described.

DESCRIPTION

FIG. 1 is a front elevational view of a jewelry chain showing my new design;

FIG. 2 is a side elevational view;

FIG. 3 is a perspective view of the link that comprises the chain, the jewelry chain being omitted for ease of illustration;

FIG. 4 is an end elevational view of FIG. 1;

FIG. 5 is a front elevational view of a jewelry chain showing a second embodiment of my new design;

FIG. 6 is a side elevational view of FIG. 5;

FIG. 7 is a perspective view of the link that comprises the chain of FIG. 5, the jewelry chain being omitted for ease of illustration;

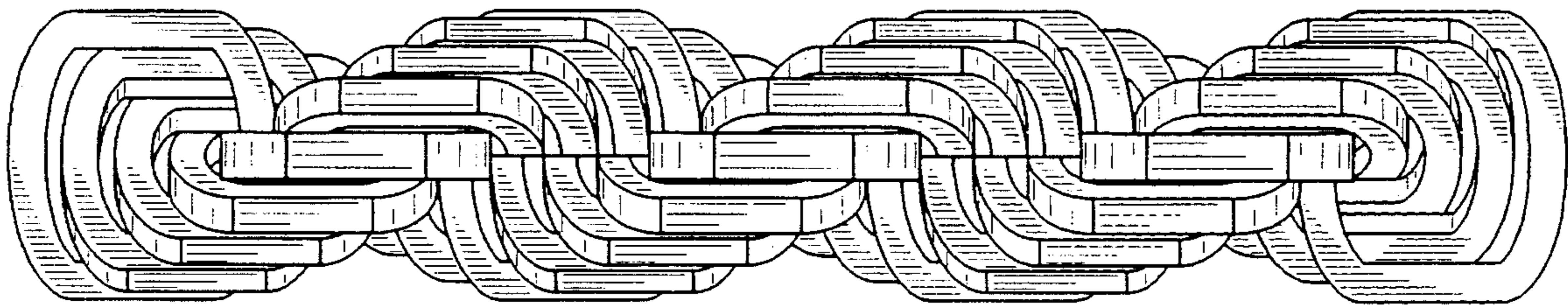
FIG. 8 is an end elevational view of FIG. 5;

FIG. 9 is a front elevational view of a jewelry chain showing a third embodiment of my new design;

FIG. 10 is a side elevational view of FIG. 9;

FIG. 11 is a perspective view of the link that comprises the chain of FIG. 9, the jewelry chain being omitted for ease of illustration; and,

FIG. 12 is an end elevational view of FIG. 9.



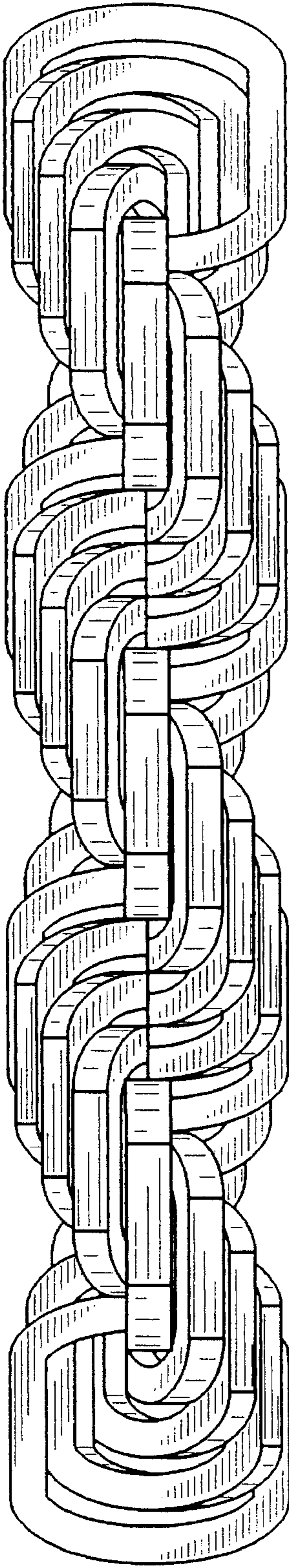


FIG. 1

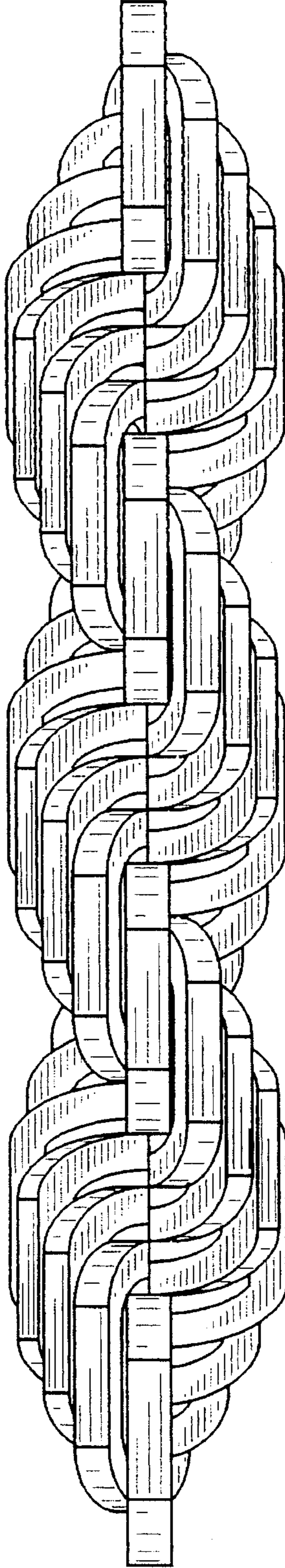


FIG. 2

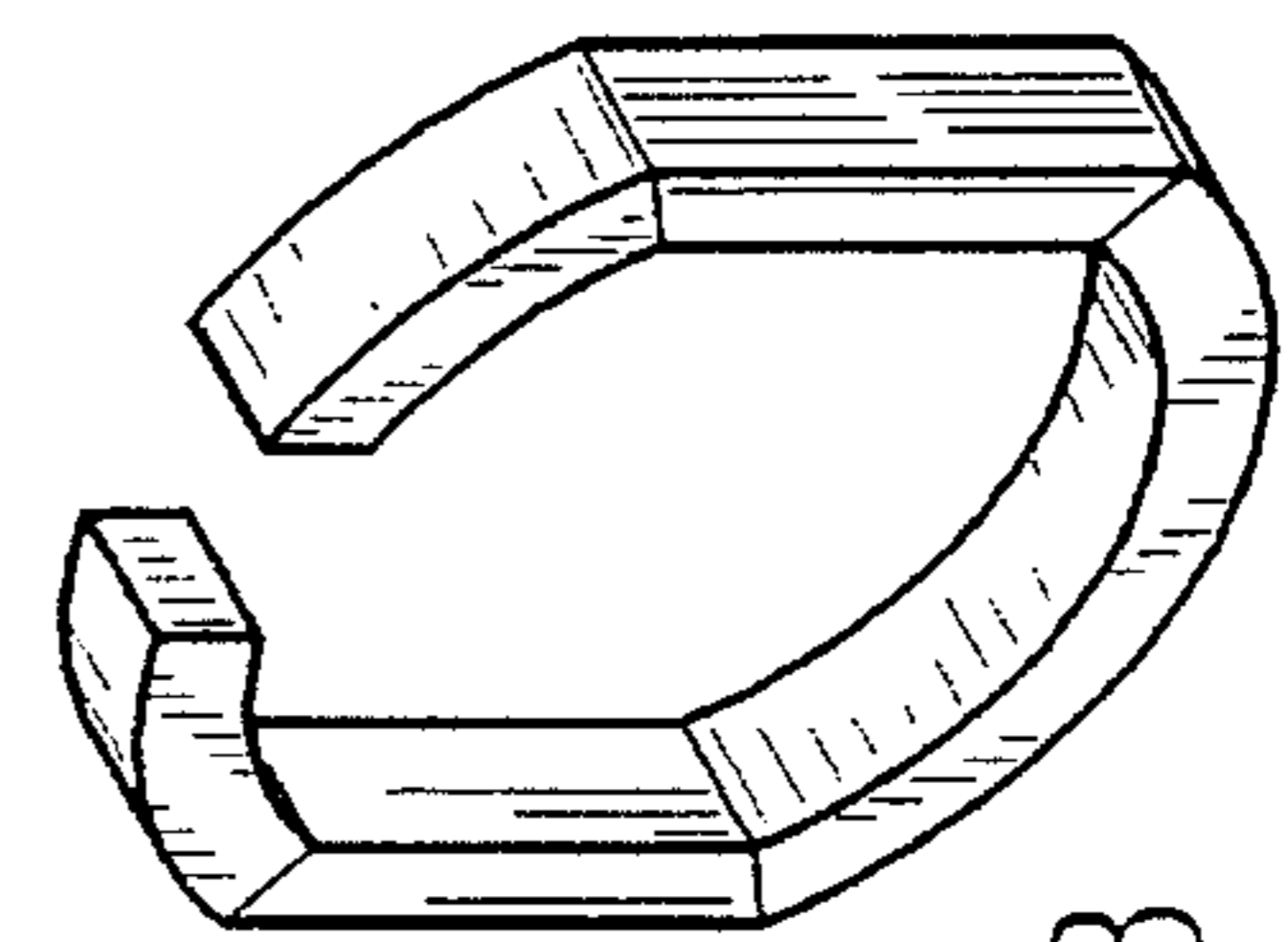


FIG. 3

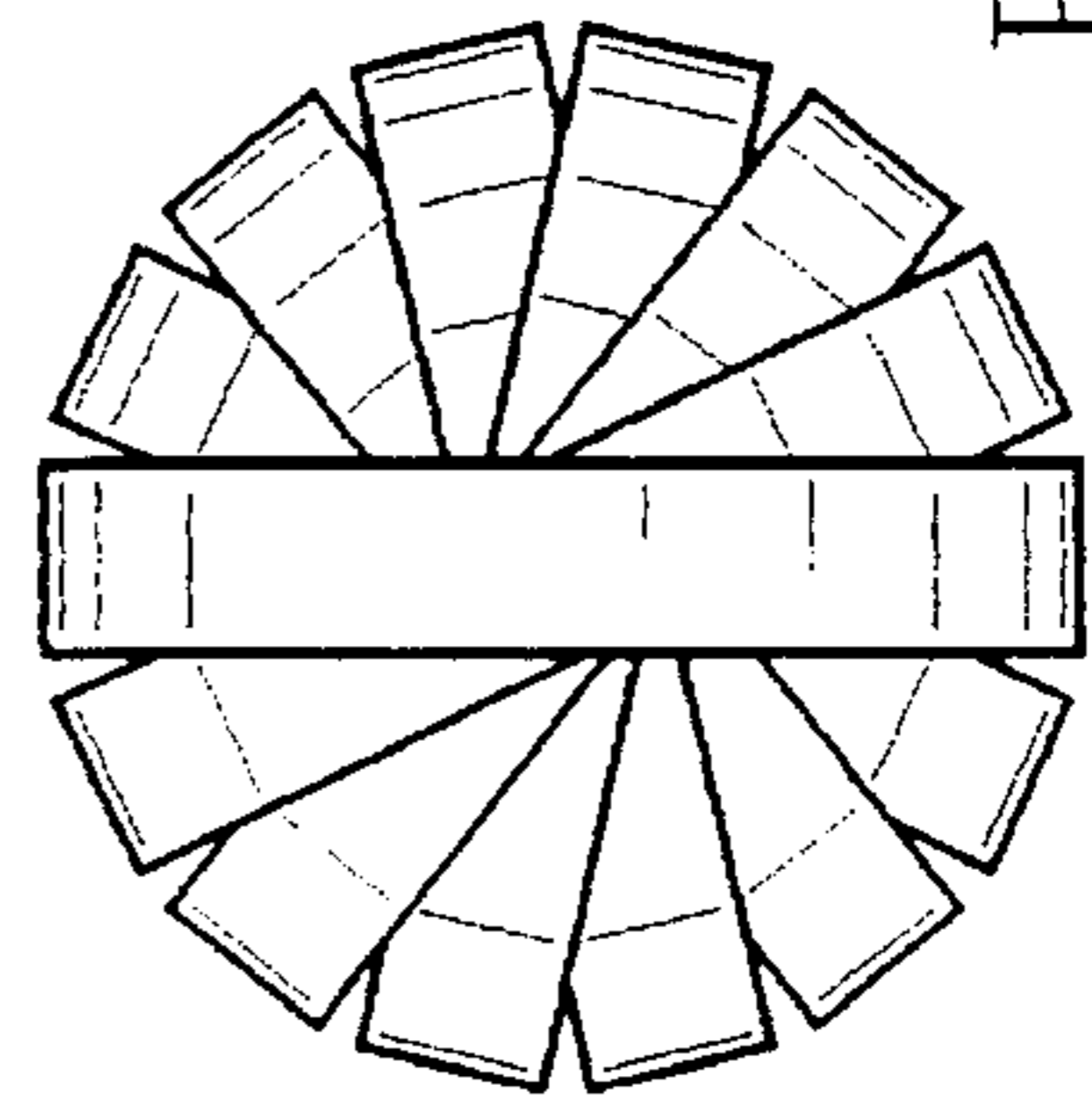


FIG. 4

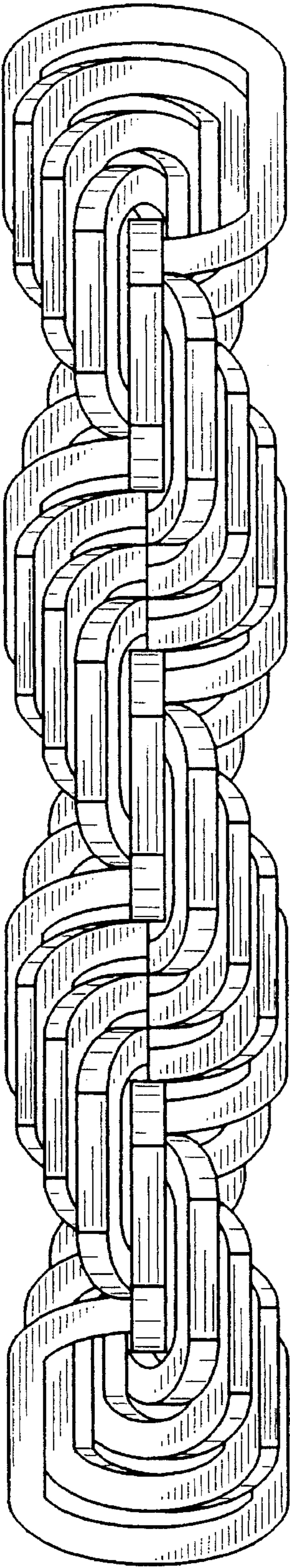


FIG. 5

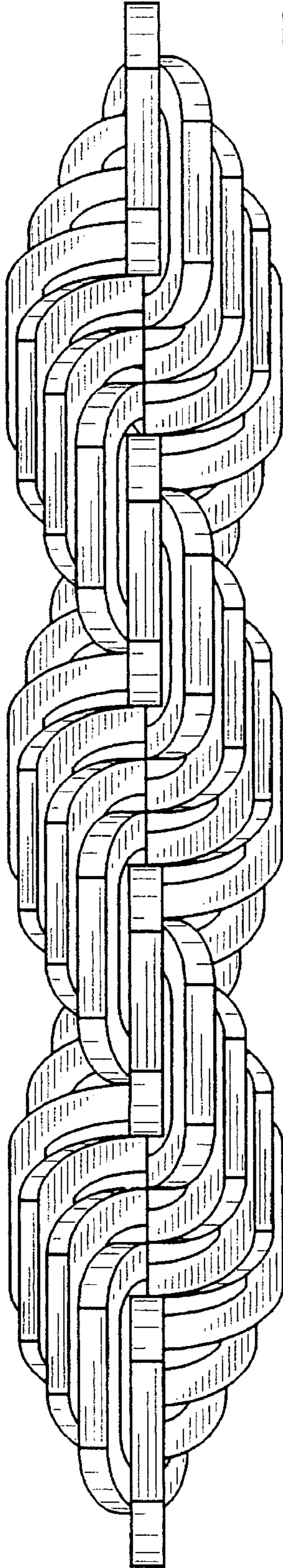


FIG. 6

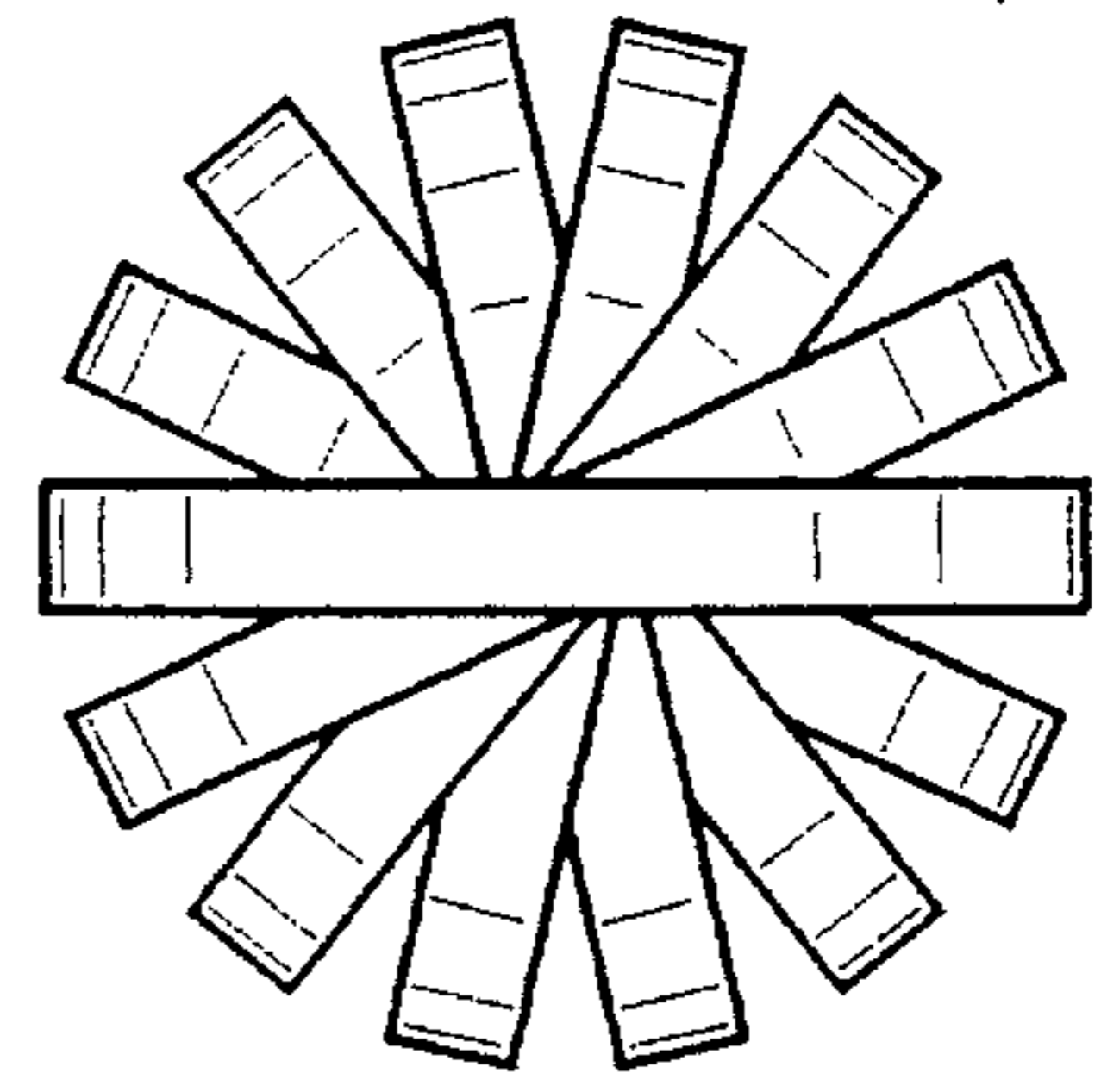


FIG. 8

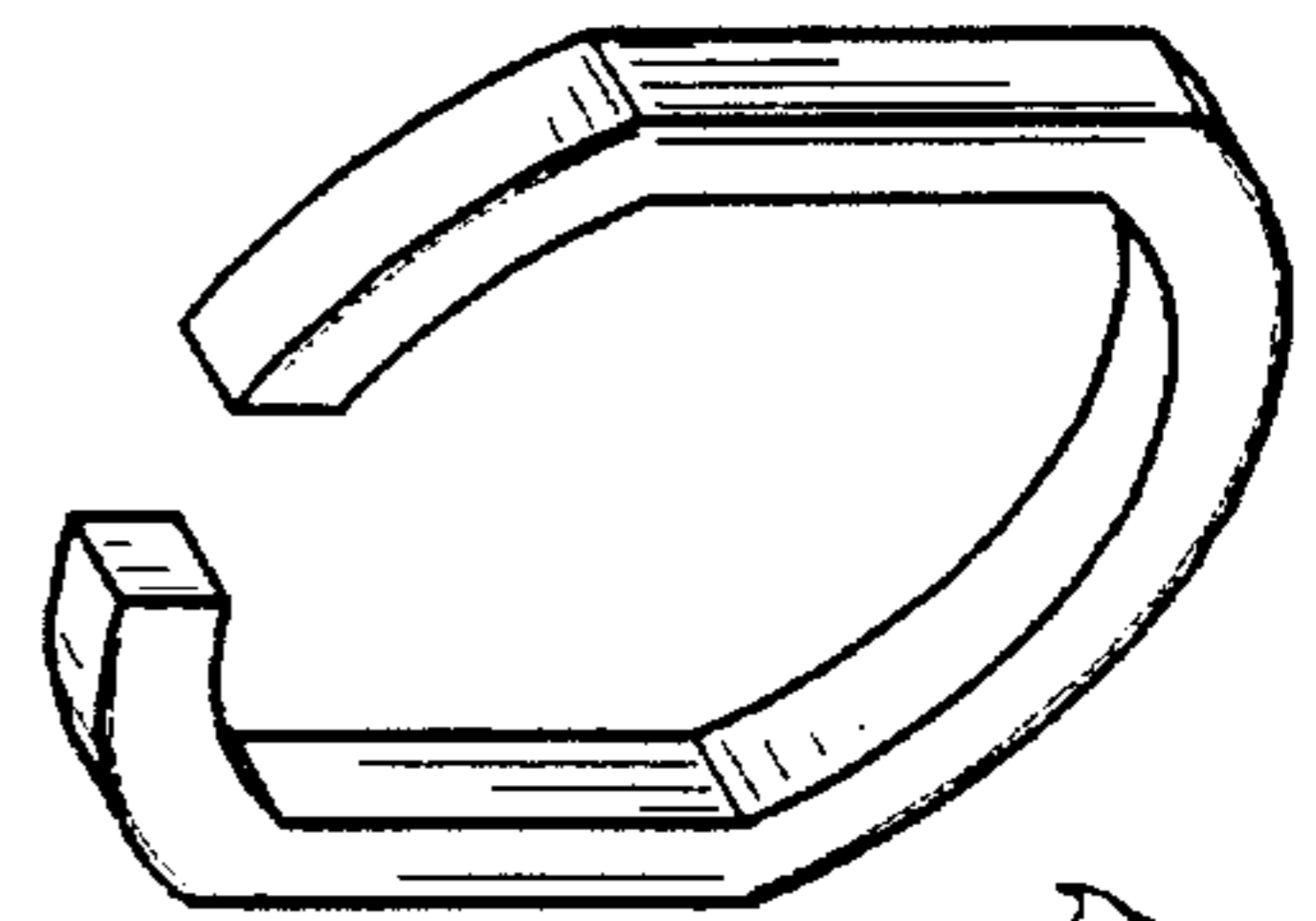


FIG. 7

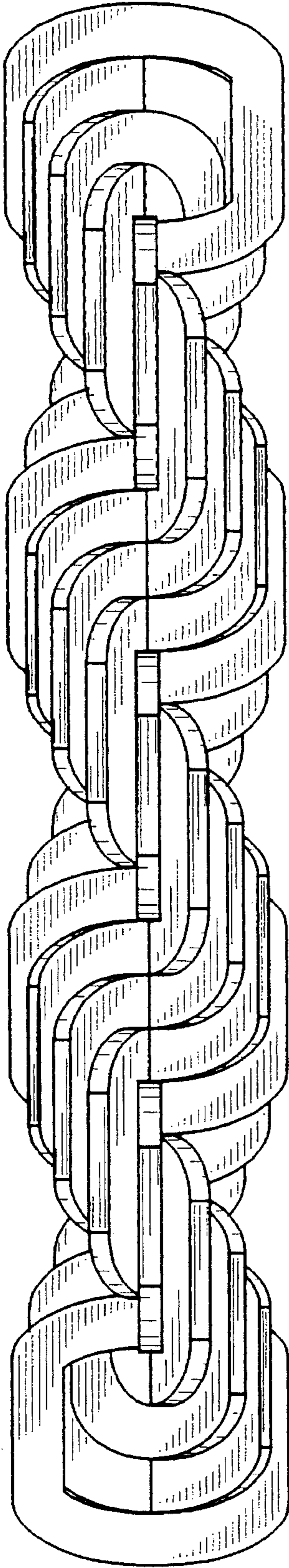


FIG. 9

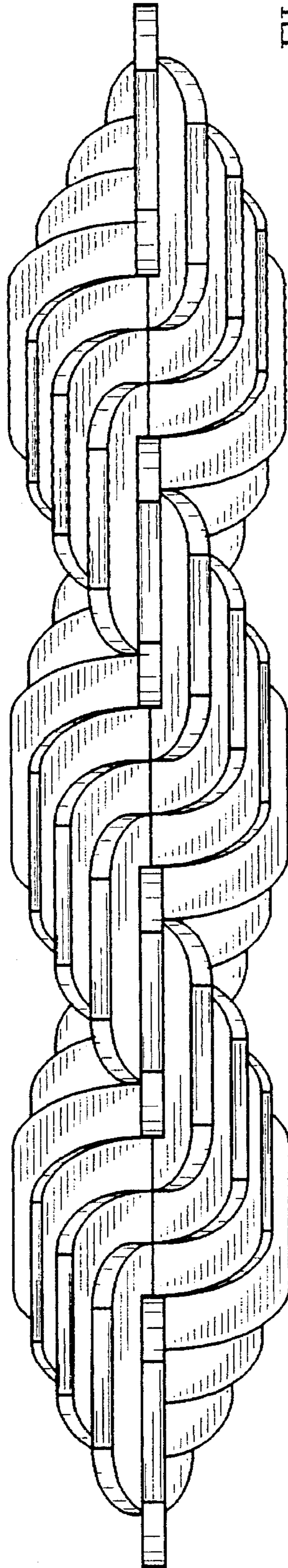


FIG. 10

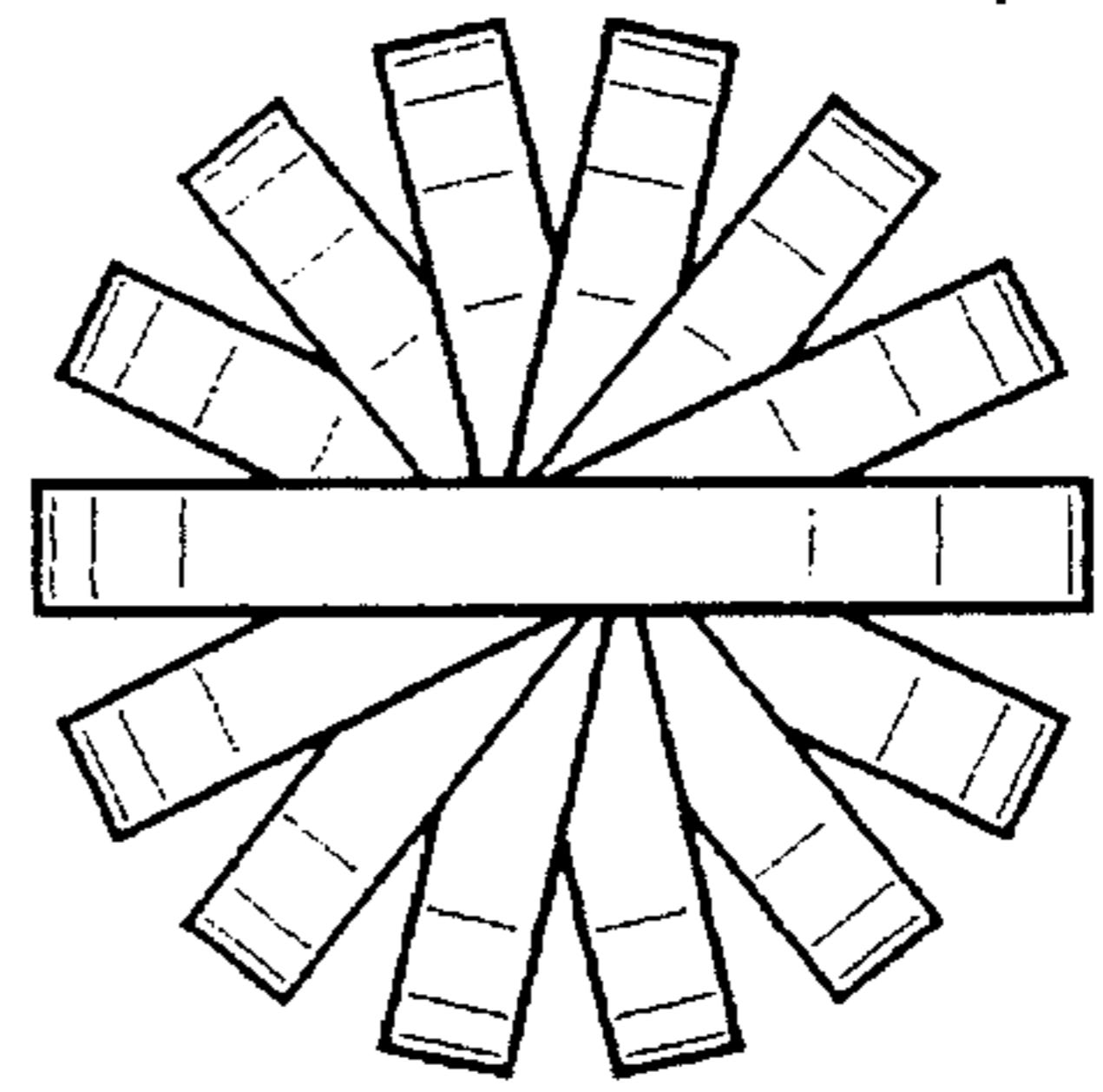


FIG. 12

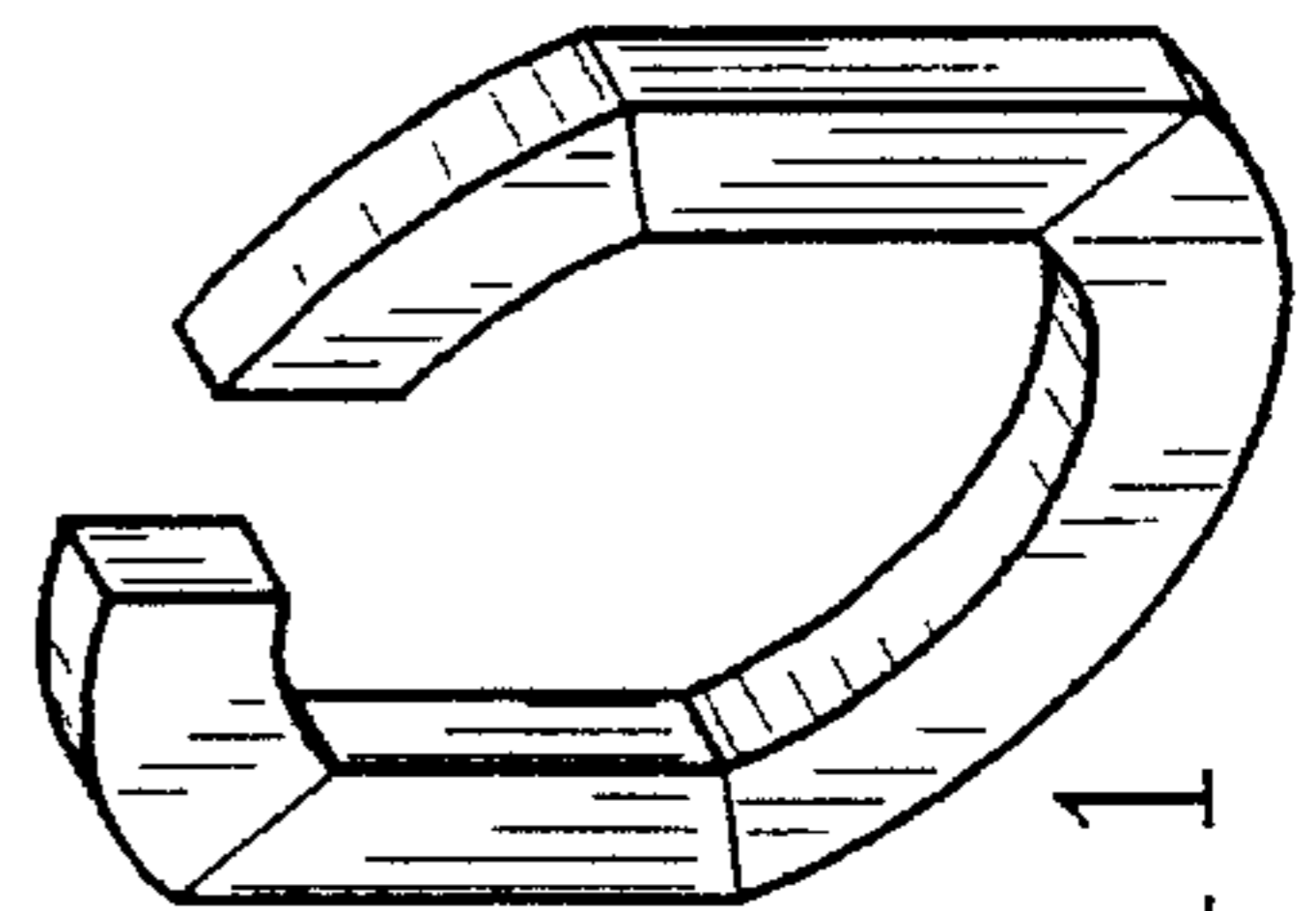


FIG. 11