



US00D375911S

United States Patent [19]

[11] **Patent Number: Des. 375,911**

Pretsch, Jr.

[45] **Date of Patent: **Nov. 26, 1996**

[54] **FREE-STANDING GAUGE**

[76] **Inventor: Donald C. Pretsch, Jr., 5237 Clifton St., Alexandria, Va. 22312**

[**] **Term: 14 Years**

[21] **Appl. No.: 37,729**

[22] **Filed: Apr. 19, 1995**

[52] **U.S. Cl. D10/110**

[58] **Field of Search D10/104, 106, D10/110; 116/28 R; 33/264**

5,036,593 8/1991 Collier .
 5,040,478 8/1991 Hughes .
 5,114,149 5/1992 Bailey .
 5,186,119 2/1993 Hlavin .
 5,189,802 3/1993 Bergfield .
 5,205,236 4/1993 Hughes .
 5,207,175 5/1993 Andonian .
 5,215,033 6/1993 Gipp et al. .
 5,227,785 7/1993 Gann et al. .
 5,230,296 7/1993 Giltz et al. .
 5,231,392 7/1993 Gust .

Primary Examiner—Antoine Duval Davis
Attorney, Agent, or Firm—Kerkam, Stowell, Kondracki & Clarke, P.C.; John C. Kerins

[56] **References Cited**

U.S. PATENT DOCUMENTS

1,981,188 11/1934 Pavitt .
 2,731,934 1/1956 Hausmann et al. .
 3,219,972 11/1965 Williams .
 3,261,321 7/1966 Mandl .
 3,279,133 10/1966 De Korte .
 3,371,647 5/1968 Shopbell .
 3,621,807 11/1971 Kang .
 3,863,594 2/1975 Gawthrop 116/28 R
 4,036,165 7/1977 Wood .
 4,070,645 1/1978 Oreluk .
 4,101,868 7/1978 Bubnich et al. .
 4,341,488 7/1982 Ryan .
 4,343,567 8/1982 Sarver et al. .
 4,433,636 2/1984 Crouch .
 4,862,823 9/1989 Hughes .
 4,873,509 10/1989 Simi .

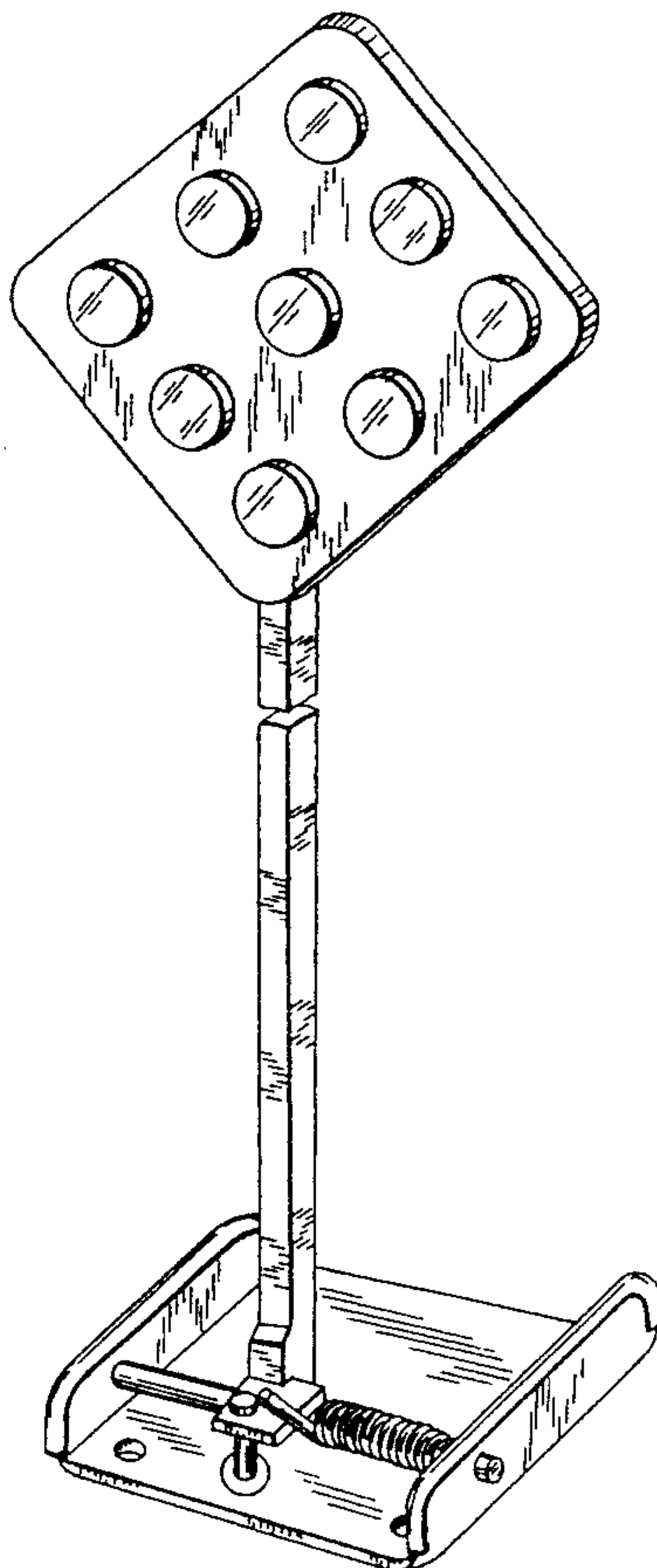
[57] **CLAIM**

The ornamental design for a free-standing gauge, as shown and described.

DESCRIPTION

FIG. 1 is a front elevation view of the free-standing gauge;
 FIG. 2 is a rear elevation view of the free-standing gauge;
 FIG. 3 is a perspective view of the free-standing gauge;
 FIG. 4 is a top view of the free-standing gauge;
 FIG. 5 is a left elevation view of the free-standing gauge;
 and,
 FIG. 6 is a bottom view of the free-standing gauge.
 The broken line showing is for illustrative purposes only and forms no part of the claimed design.

1 Claim, 3 Drawing Sheets



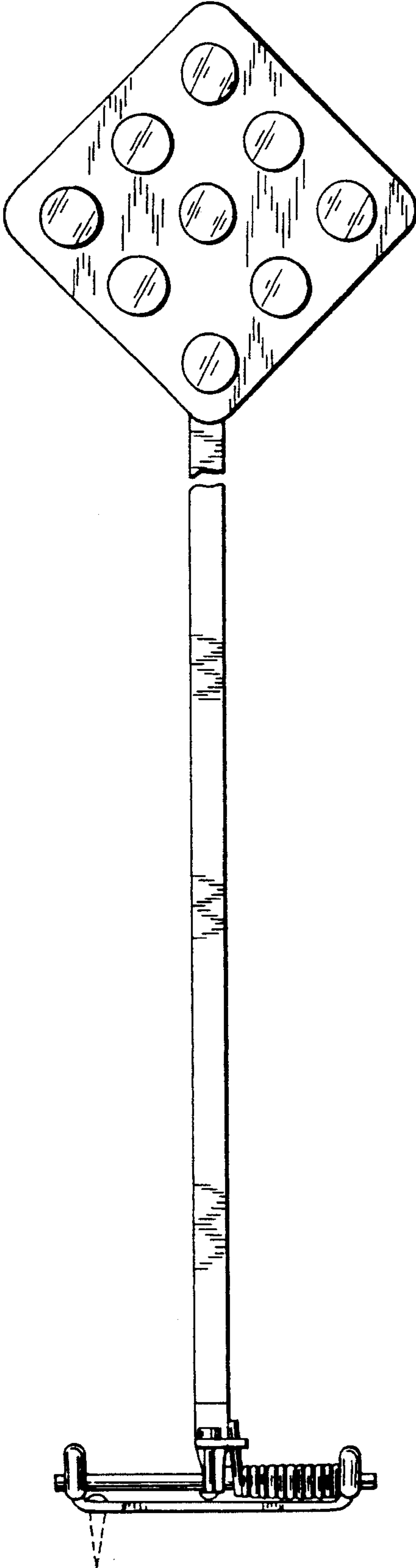


FIG. 1

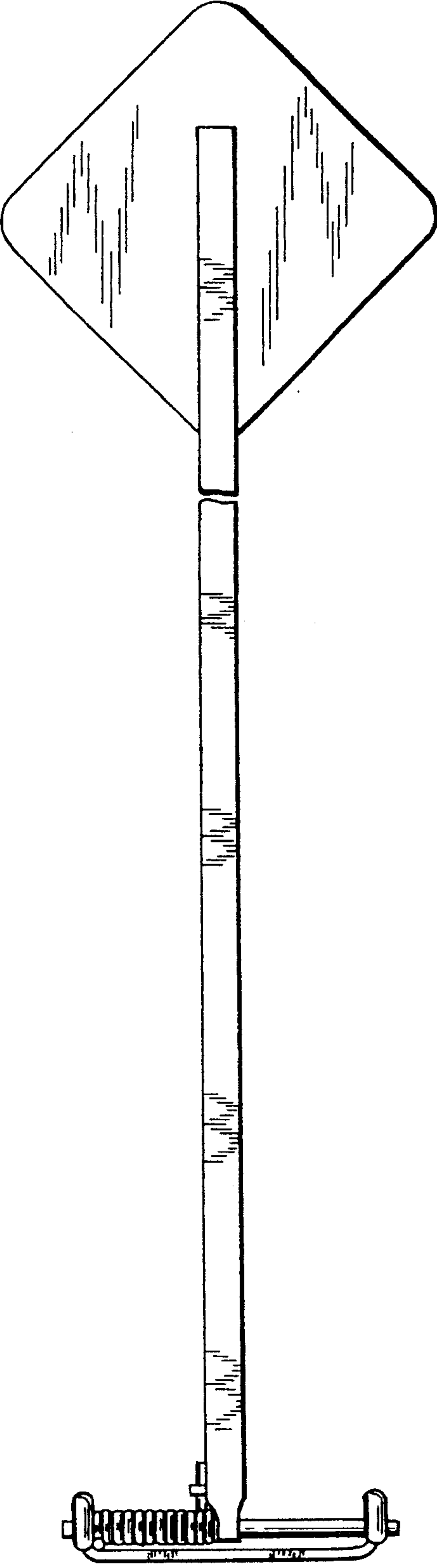


FIG. 2

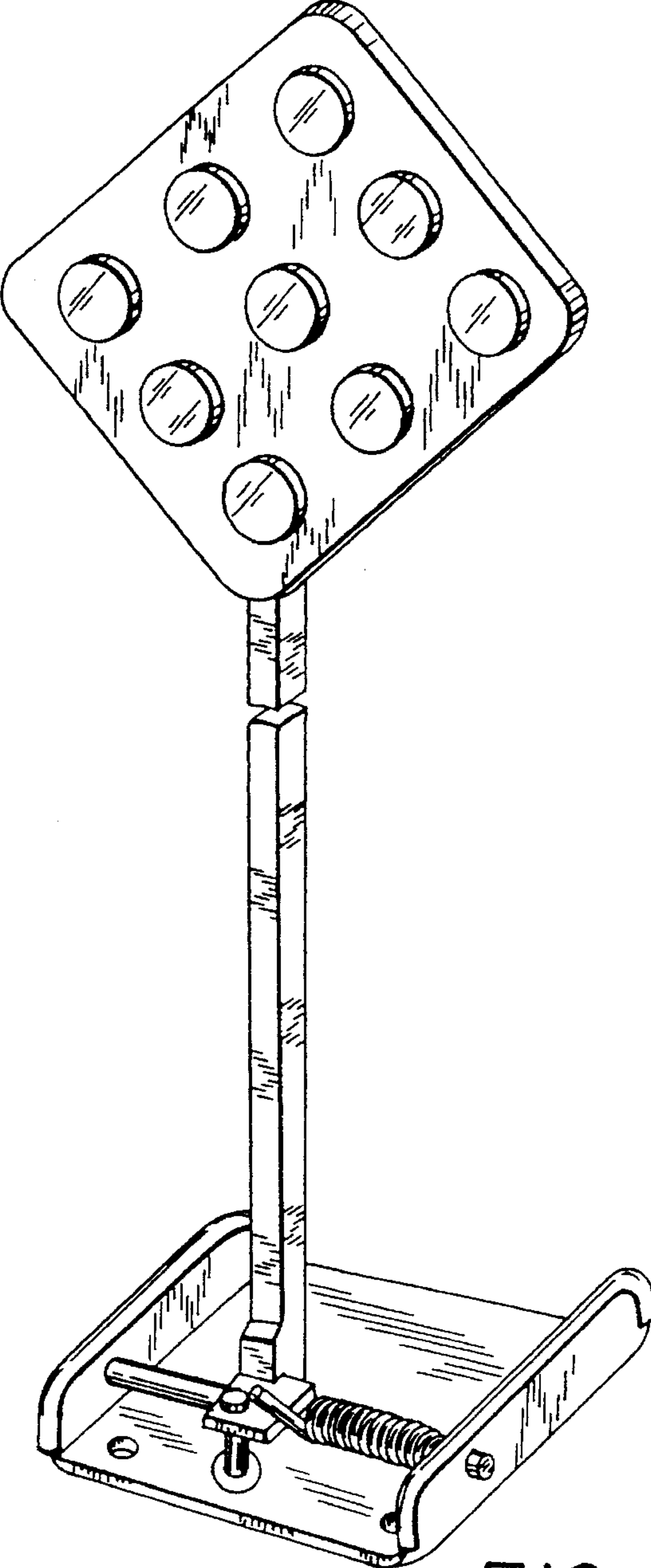


FIG. 3

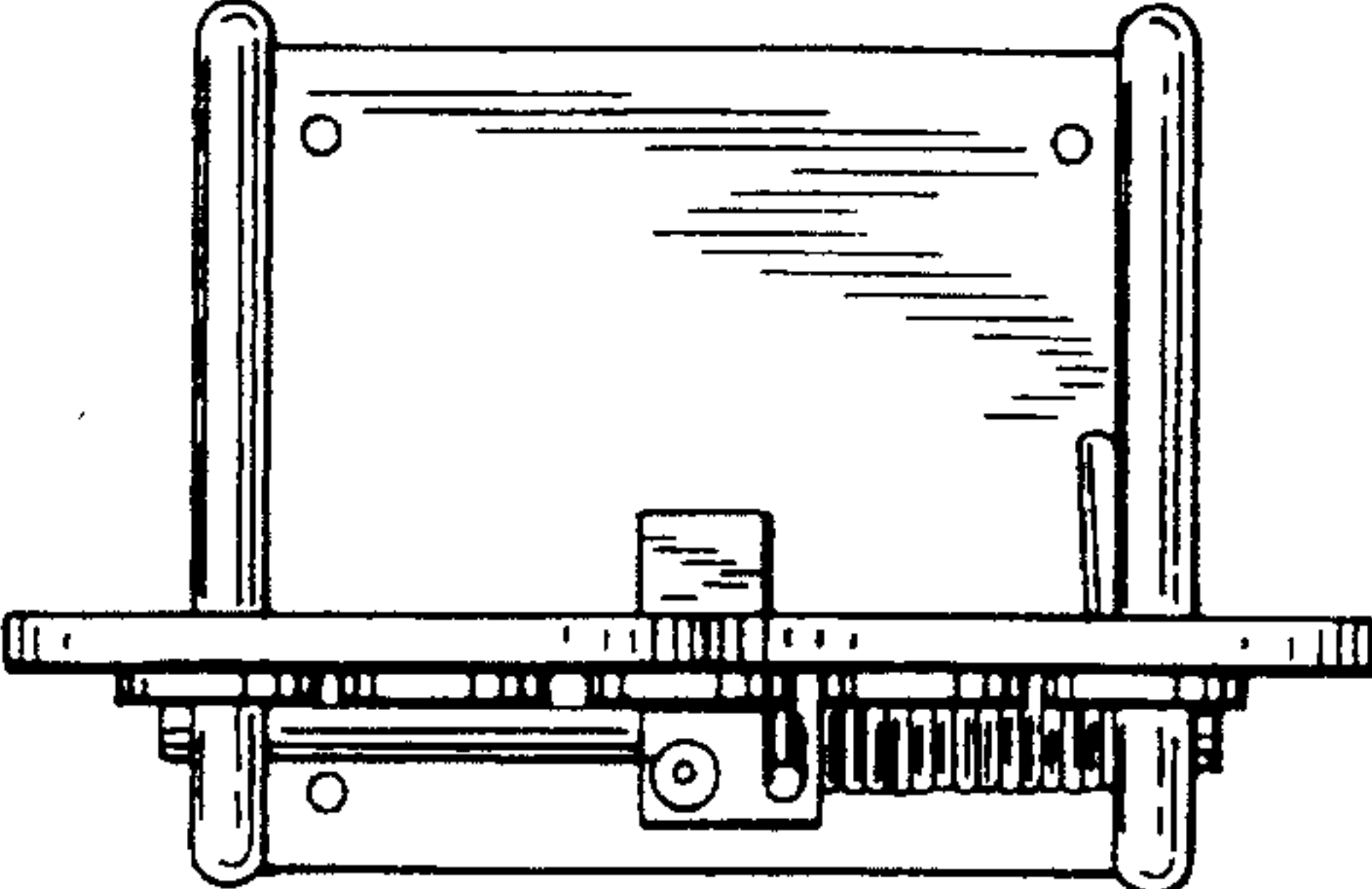


FIG. 4

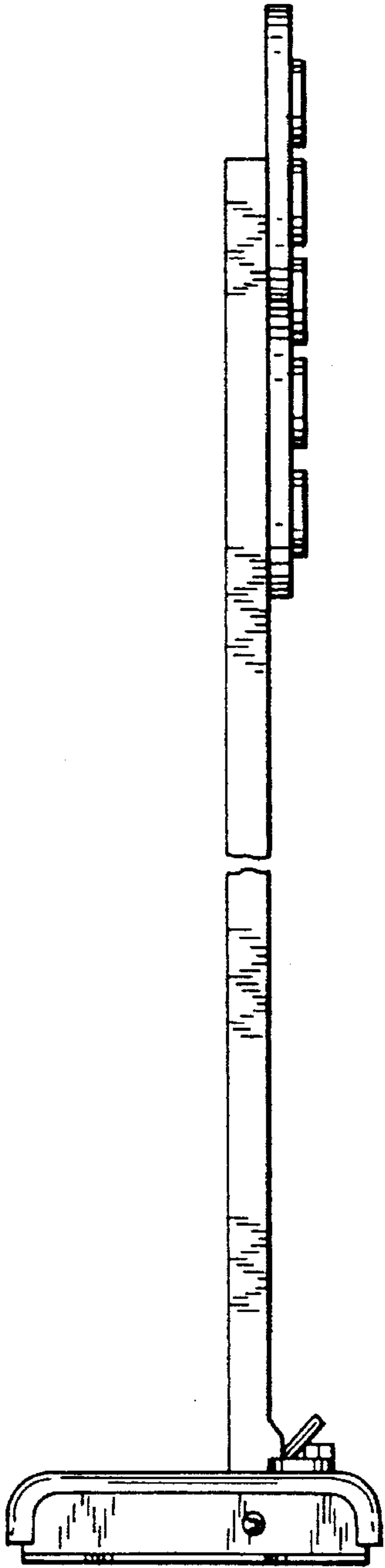


FIG. 5

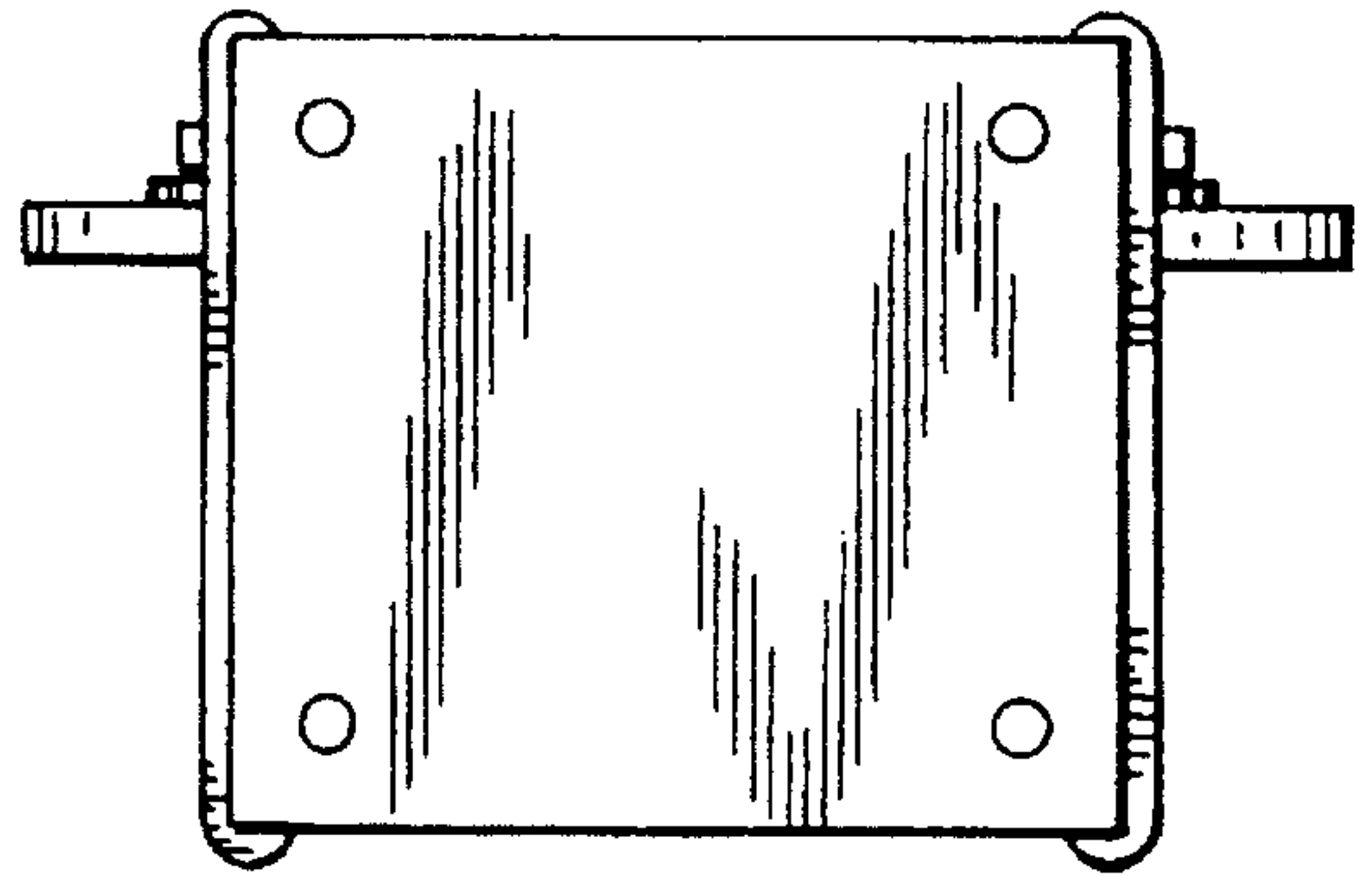


FIG. 6