



US00D375908S

United States Patent [19]

Schumaker et al.

[11] Patent Number: **Des. 375,908**

[45] Date of Patent: ****Nov. 26, 1996**

[54] **FRONT PANEL FOR AN AUTOMOTIVE CLIMATE CONTROL**

[75] Inventors: **Nevenka Schumaker**, Bloomfield Hills;
Rama R. Sreeramaneni, Farmington Hills, both of Mich.

[73] Assignee: **Ford Motor Company**, Dearborn, Mich.

[**] Term: **14 Years**

[21] Appl. No.: **45,868**

[22] Filed: **Oct. 31, 1995**

[52] U.S. Cl. **D10/49**; D10/50; D10/103; D10/125; D12/192; D14/258

[58] **Field of Search** D10/49, 50, 103, D10/125; D12/192; D13/162; D14/258; 174/50, 53, 58-60, 66, 70; 200/293-297, 302.1, 302.2, 333, 334; 390/985-995; 361/331, 332, 390-394; 236/46 R; 165/12, 2; 62/231, 325.4, 158; 455/345-349

[56] **References Cited**

U.S. PATENT DOCUMENTS

- D. 310,369 9/1990 Kolenda et al. D13/162 X
- D. 333,307 2/1993 Sliper et al. .
- D. 334,572 4/1993 Gauthier et al. .

- D. 343,842 2/1994 Fowler et al. .
- D. 350,139 8/1994 Fowler et al. .
- D. 350,964 9/1994 Fowler et al. .
- D. 354,451 1/1995 Burrell et al. D10/103
- D. 354,452 1/1995 Burrell et al. D10/103
- D. 354,492 1/1995 Schumaker et al. .
- D. 354,493 1/1995 Schumaker et al. .
- D. 354,494 1/1995 Schumaker et al. .
- D. 354,962 1/1995 Jazanoski et al. .
- 4,562,595 12/1985 Bauer et al. D14/258 X
- 5,366,003 11/1994 Raso 165/2

Primary Examiner—Antoine Duval Davis
Attorney, Agent, or Firm—Mark Mollon

[57] **CLAIM**

The ornamental design for a front panel for an automotive climate control, as shown.

DESCRIPTION

FIG. 1 is a front, top, and left side perspective view of a front panel for an automotive climate control showing our new design;

FIG. 2 is a front view thereof;

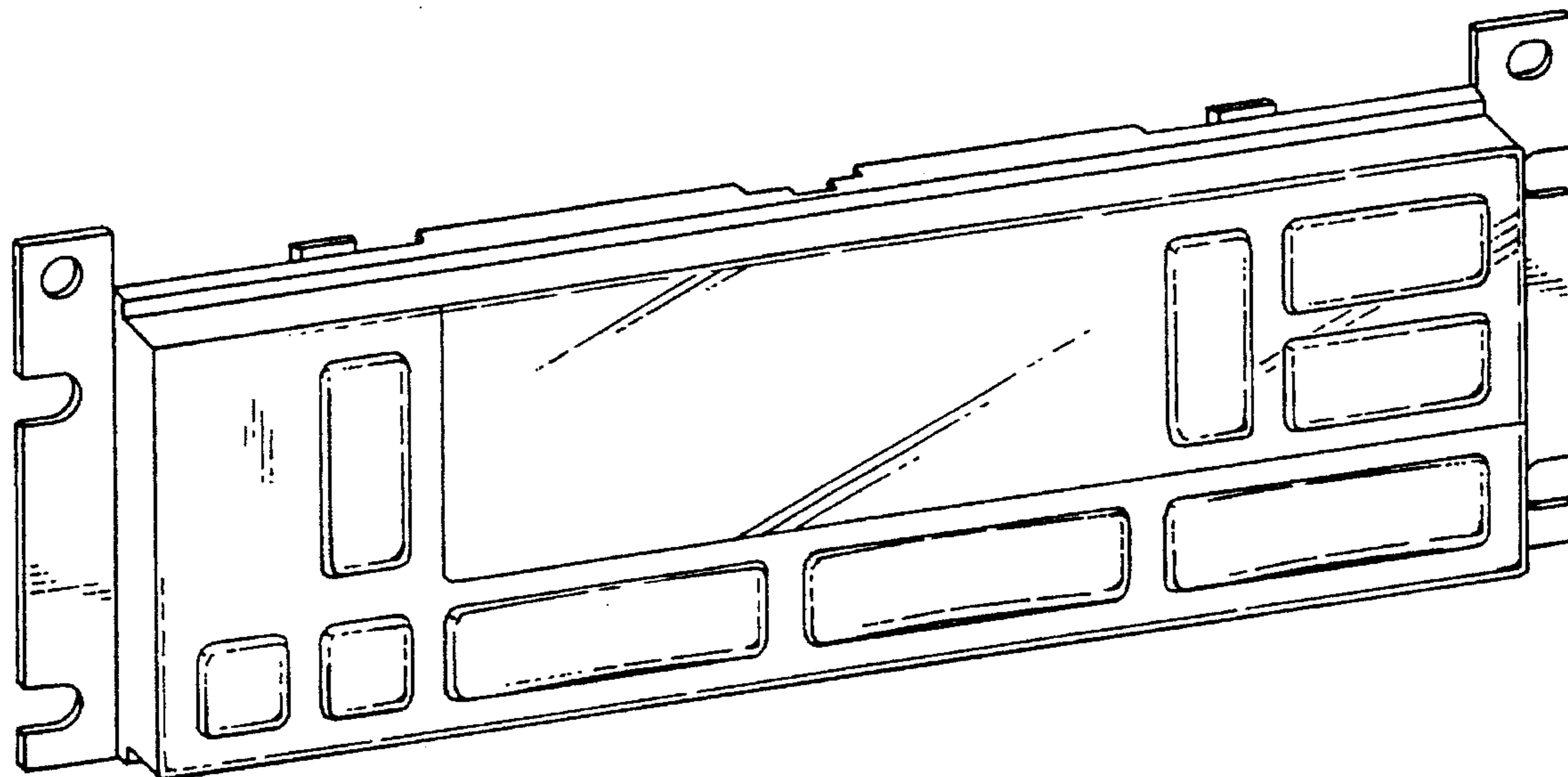
FIG. 3 is a top view thereof;

FIG. 4 is a bottom view thereof;

FIG. 5 is a left side view thereof; and,

FIG. 6 is a right side view thereof.

1 Claim, 2 Drawing Sheets



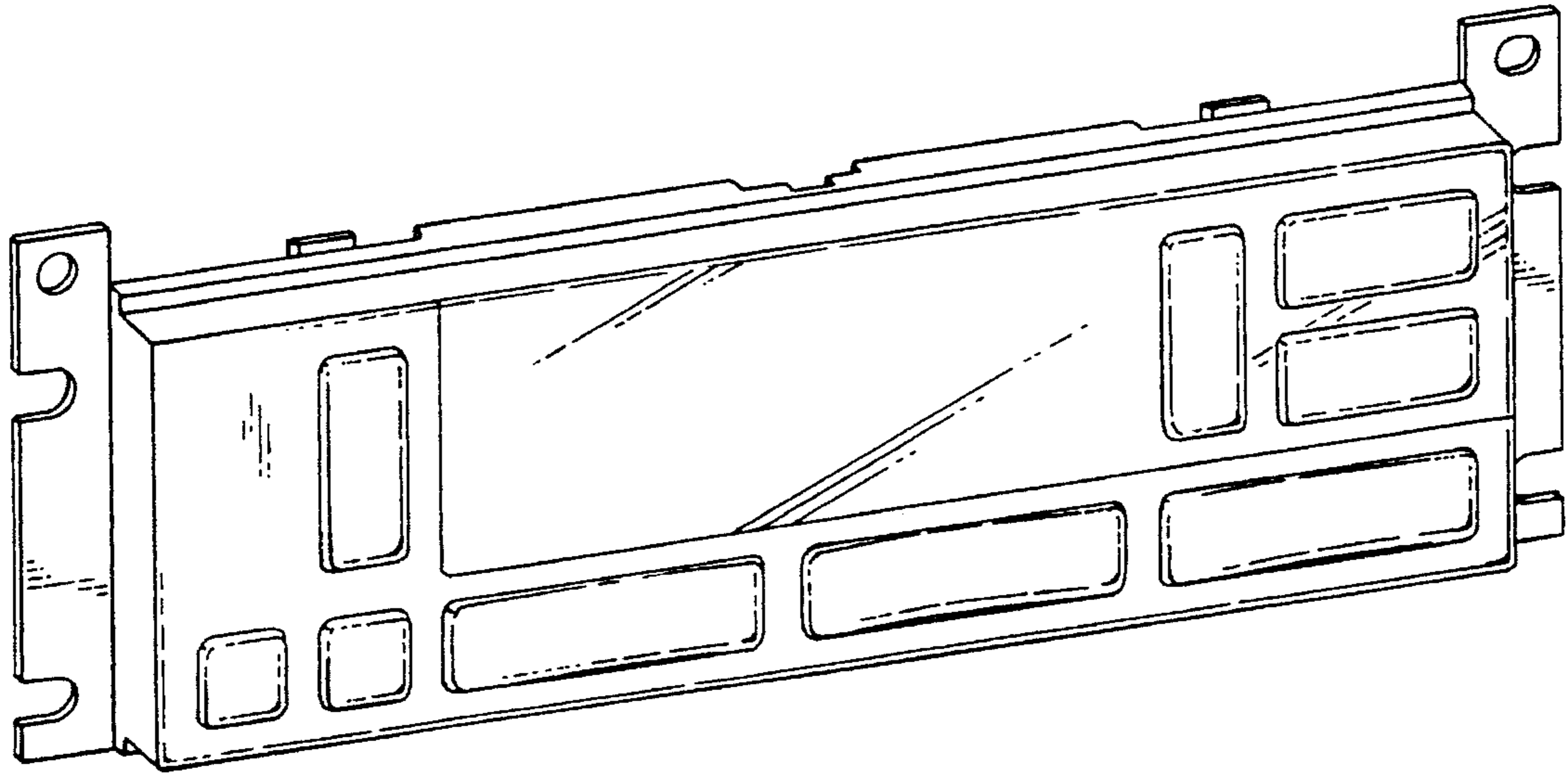


FIG. 1

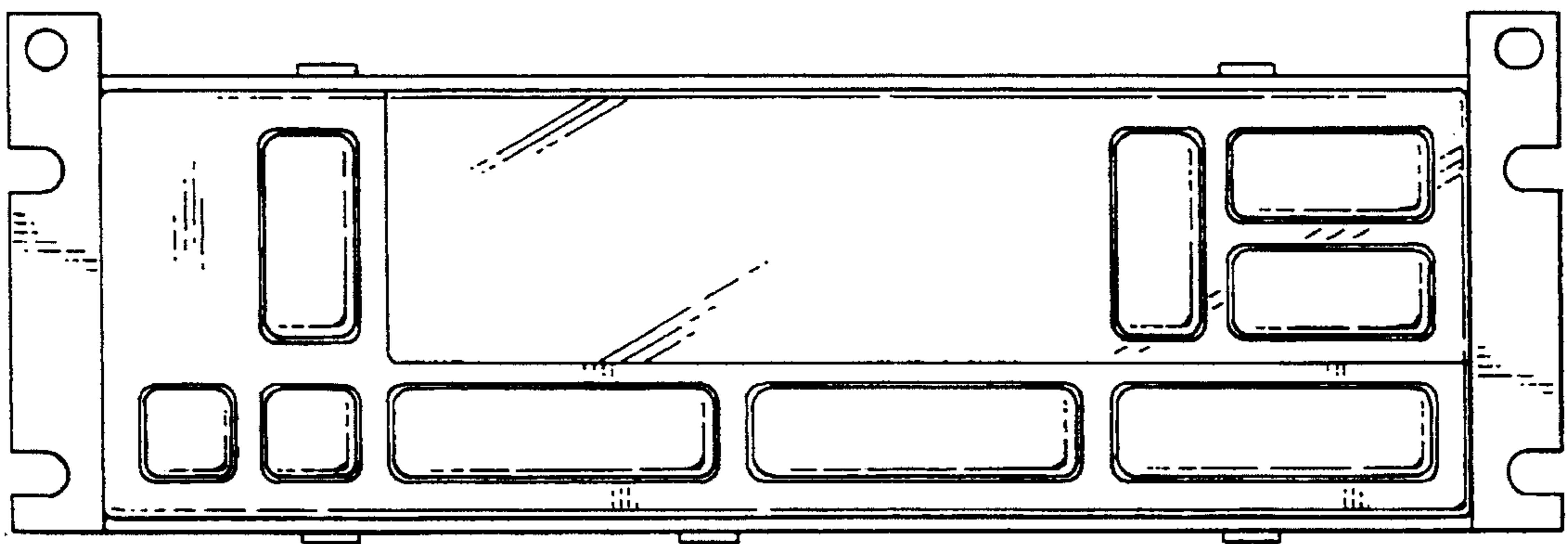


FIG. 2

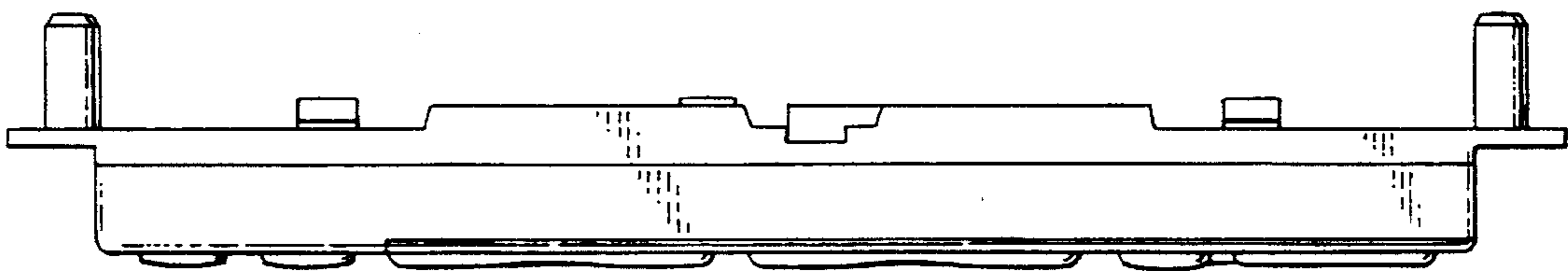


FIG. 3

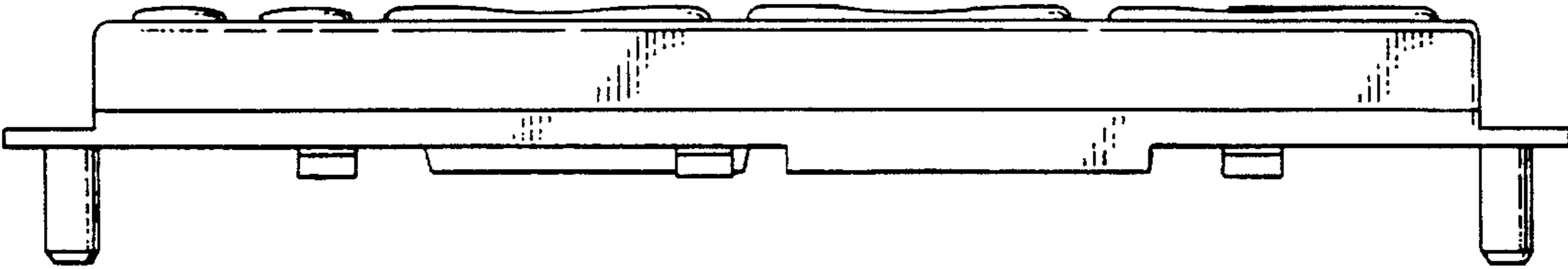


FIG. 4

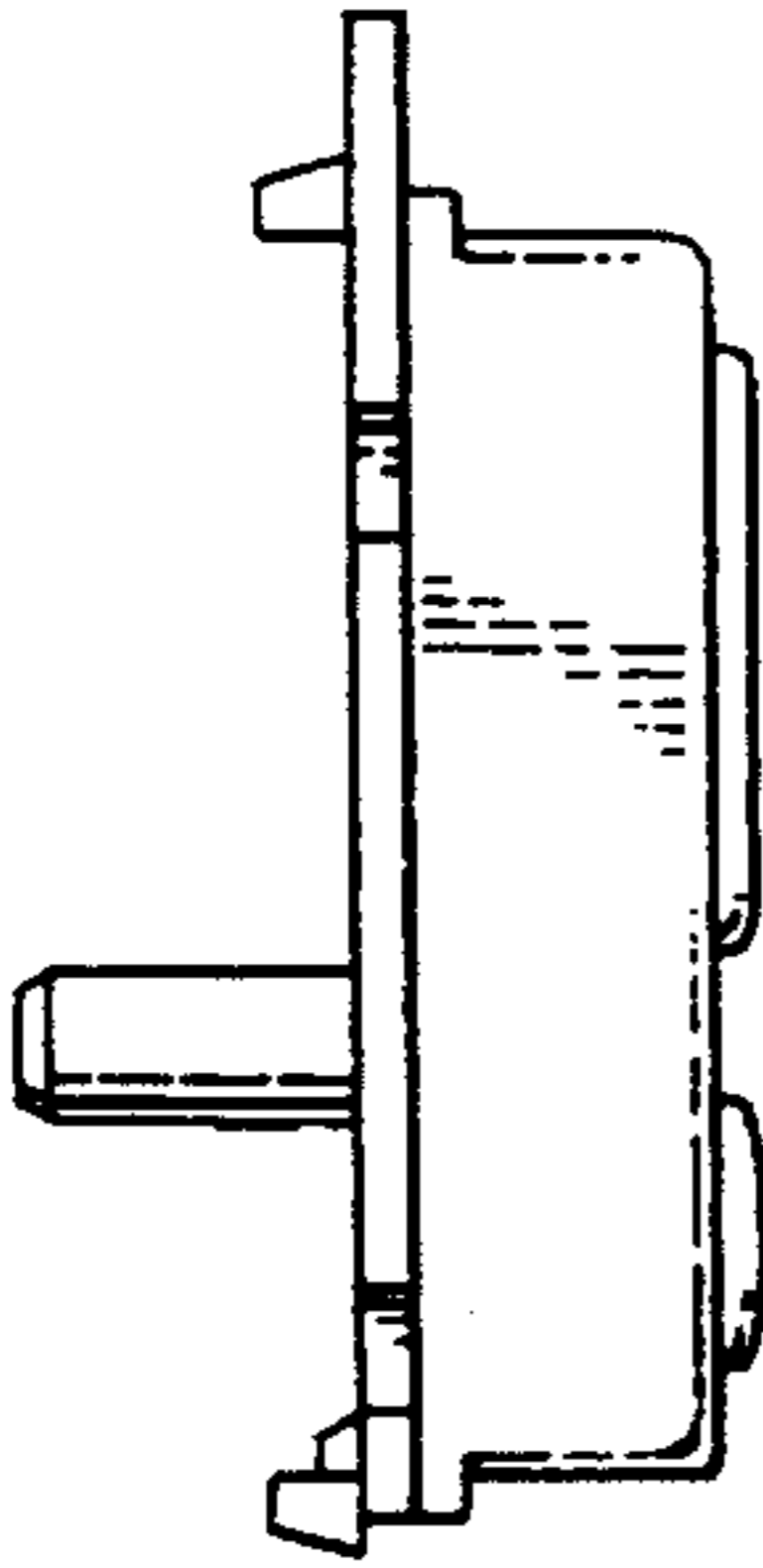


FIG. 5

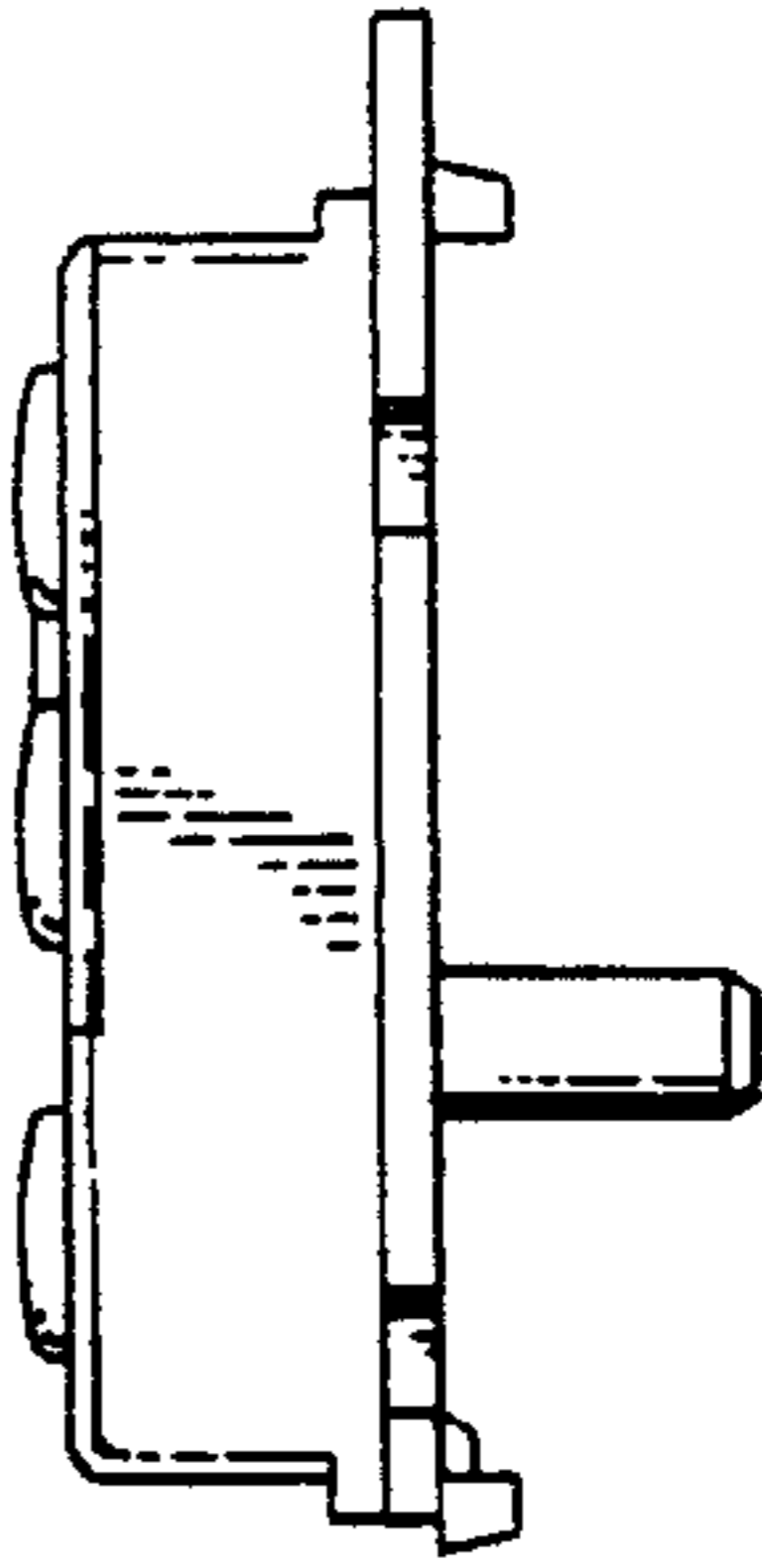


FIG. 6