



US00D375907S

United States Patent [19]
Ogawa

[11] **Patent Number: Des. 375,907**

[45] **Date of Patent: **Nov. 26, 1996**

[54] **SUPPORT BASE FOR A LASER LIGHT RANGE METER EQUIPPED WITH A TELESCOPE**

3,685,159 8/1972 Erhard 33/238

Primary Examiner—Antoine Duval Davis
Attorney, Agent, or Firm—Bacon & Thomas

[75] **Inventor: Kunitoshi Ogawa, Odawara, Japan**

[57] **CLAIM**

[73] **Assignee: Sokkia Co., Ltd., Tokyo, Japan**

The ornamental design for a support base for a laser light range meter equipped with a telescope, as shown and described.

[**] **Term: 14 Years**

[21] **Appl. No.: 45,154**

DESCRIPTION

[22] **Filed: Oct. 11, 1995**

FIG. 1 is a front elevational view, showing my new design; FIG. 2 is a rear elevational view thereof; FIG. 3 is a right side elevational view thereof; FIG. 4 is a left side elevational view thereof; FIG. 5 is a top plan view thereof; FIG. 6 is a bottom plan view thereof; and, FIG. 7 is a reference view showing the state of use thereof. The broken line showing the remaining parts of a support base for a laser light range meter equipped with a telescope is for illustrative purposes only and forms no part of the claimed design.

[30] **Foreign Application Priority Data**

Apr. 18, 1995 [JP] Japan 7-10562

[52] **U.S. Cl.** D10/103; D10/70; D10/66

[58] **Field of Search** D10/66, 70, 103; D15/140, 141; 33/712, DIG. 21; 248/346, 349, 904; 356/244, 243, 256, 138-155

[56] **References Cited**

U.S. PATENT DOCUMENTS

D. 367,233 2/1996 Hoshino D10/66

1 Claim, 4 Drawing Sheets

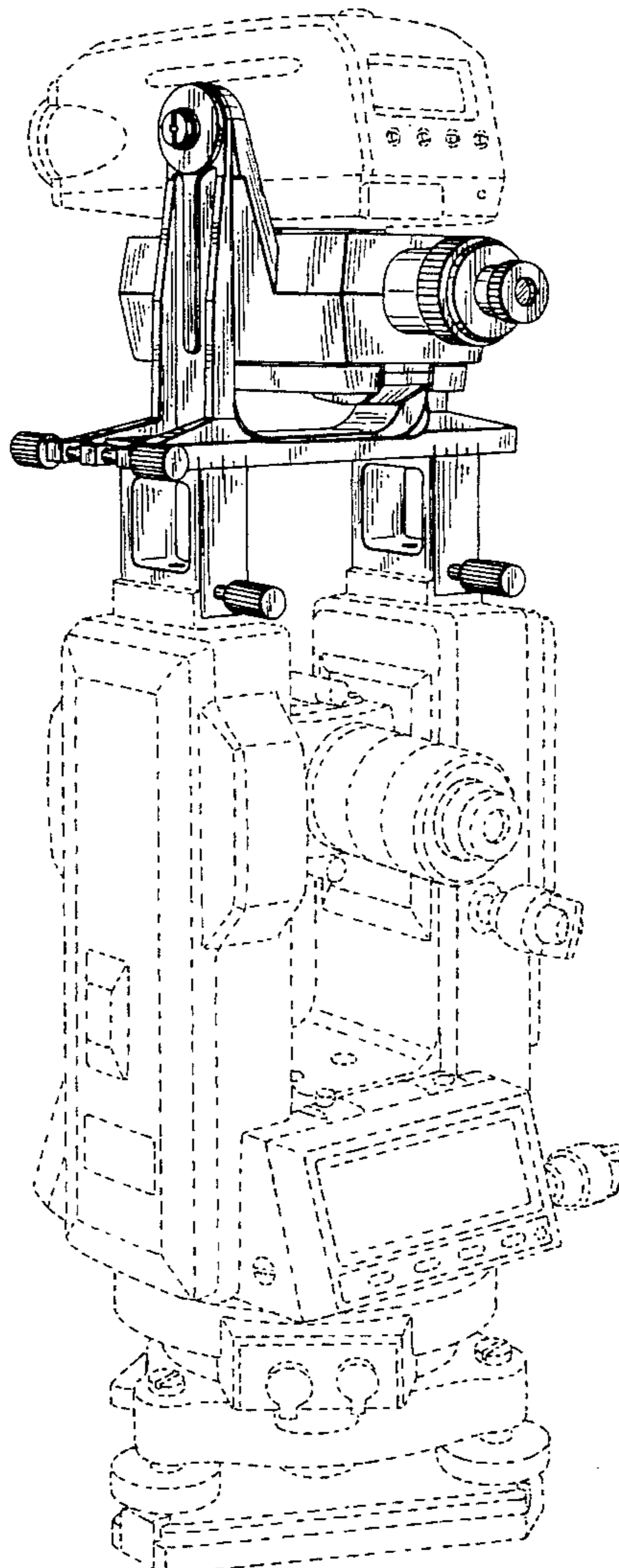


FIG. 1

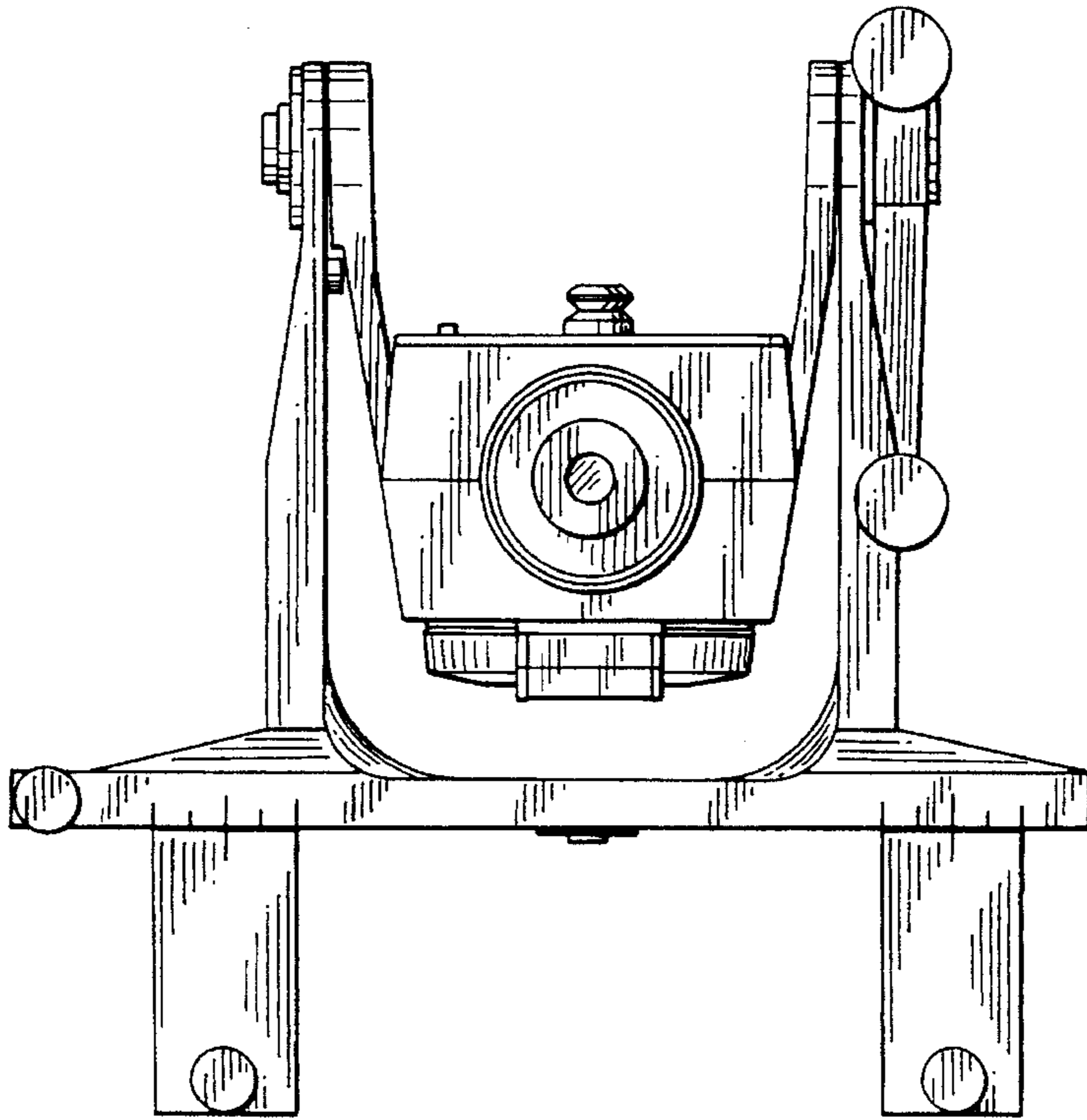


FIG. 2

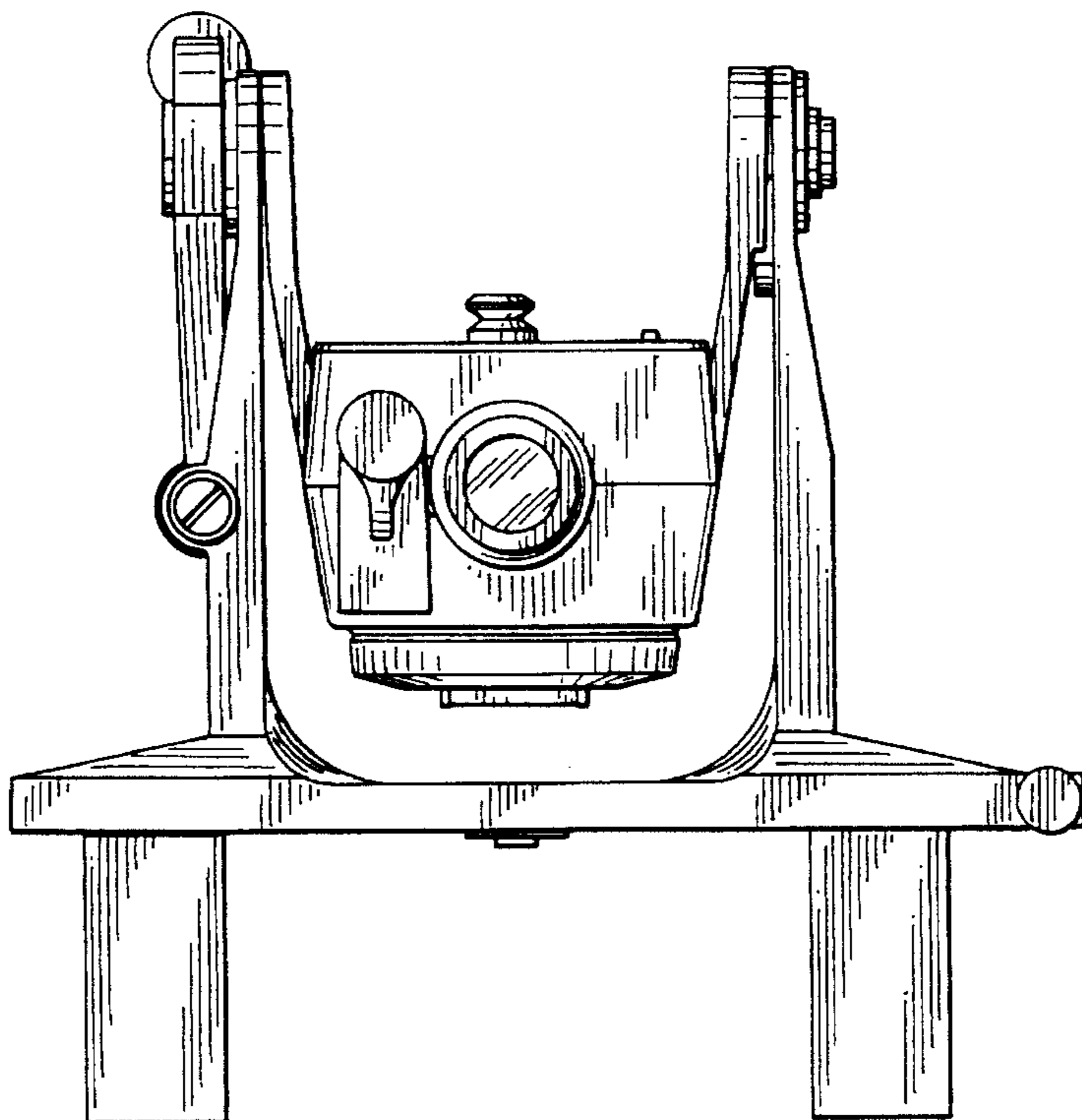


FIG. 3

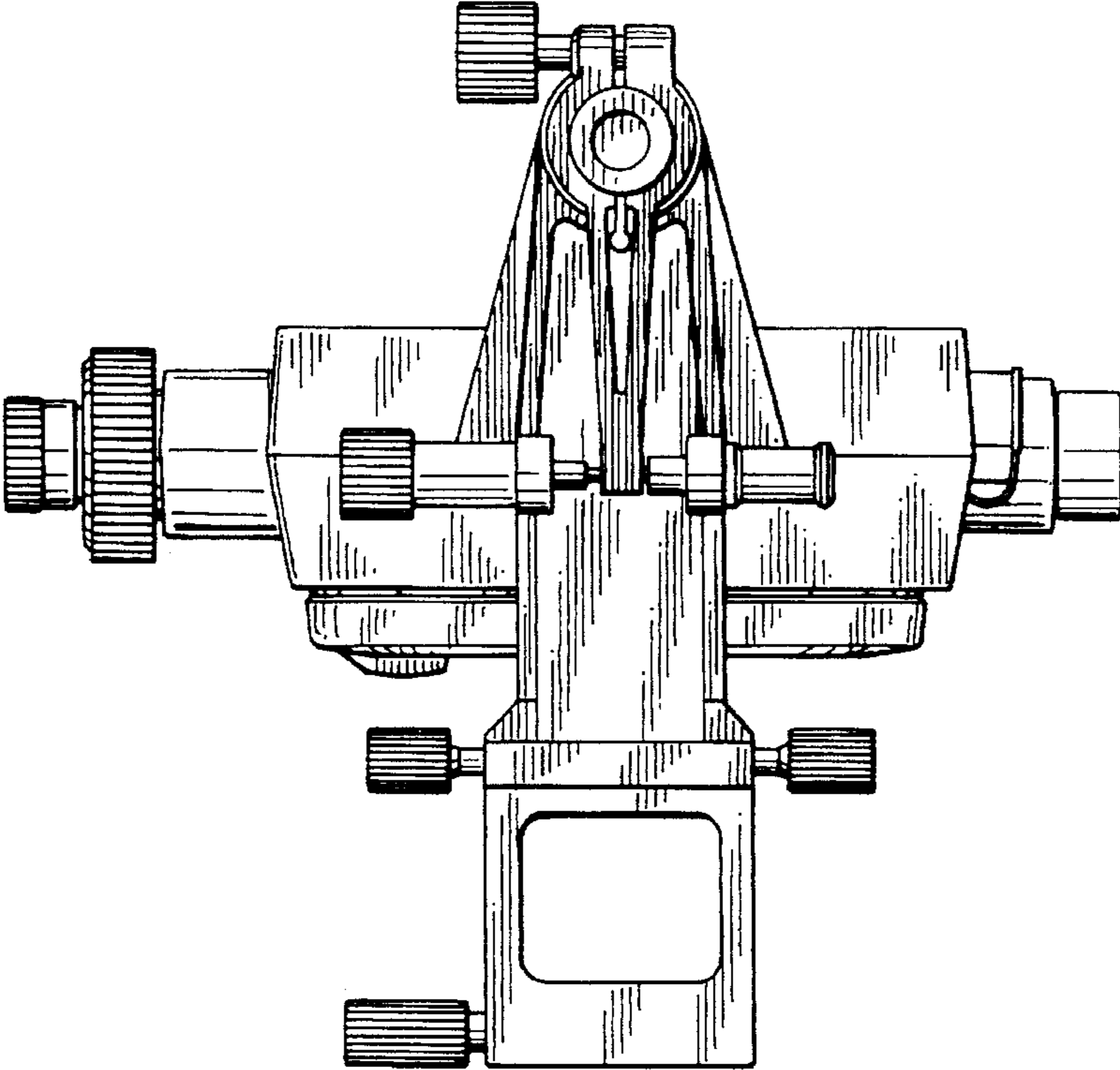


FIG. 4

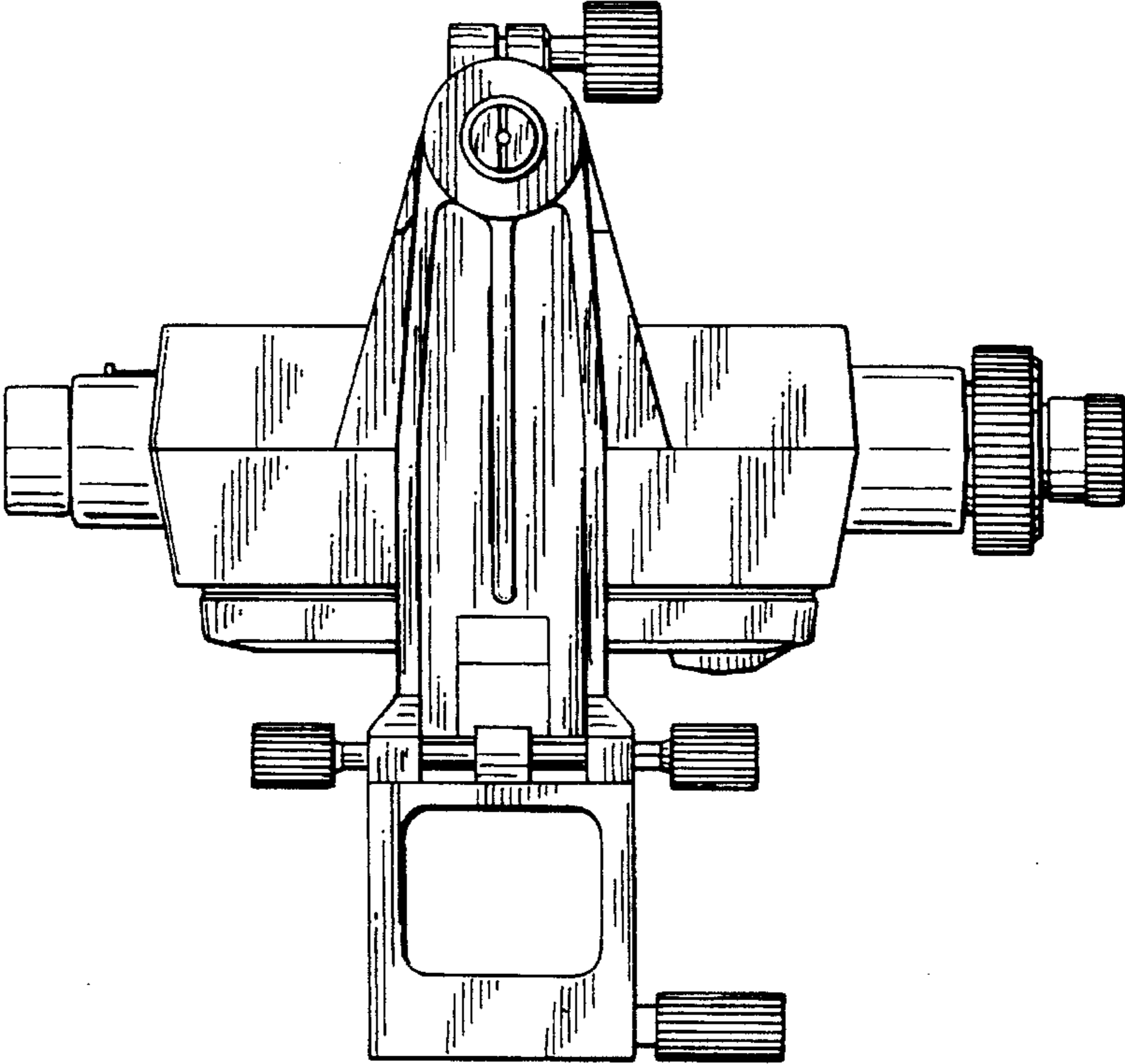


FIG. 5

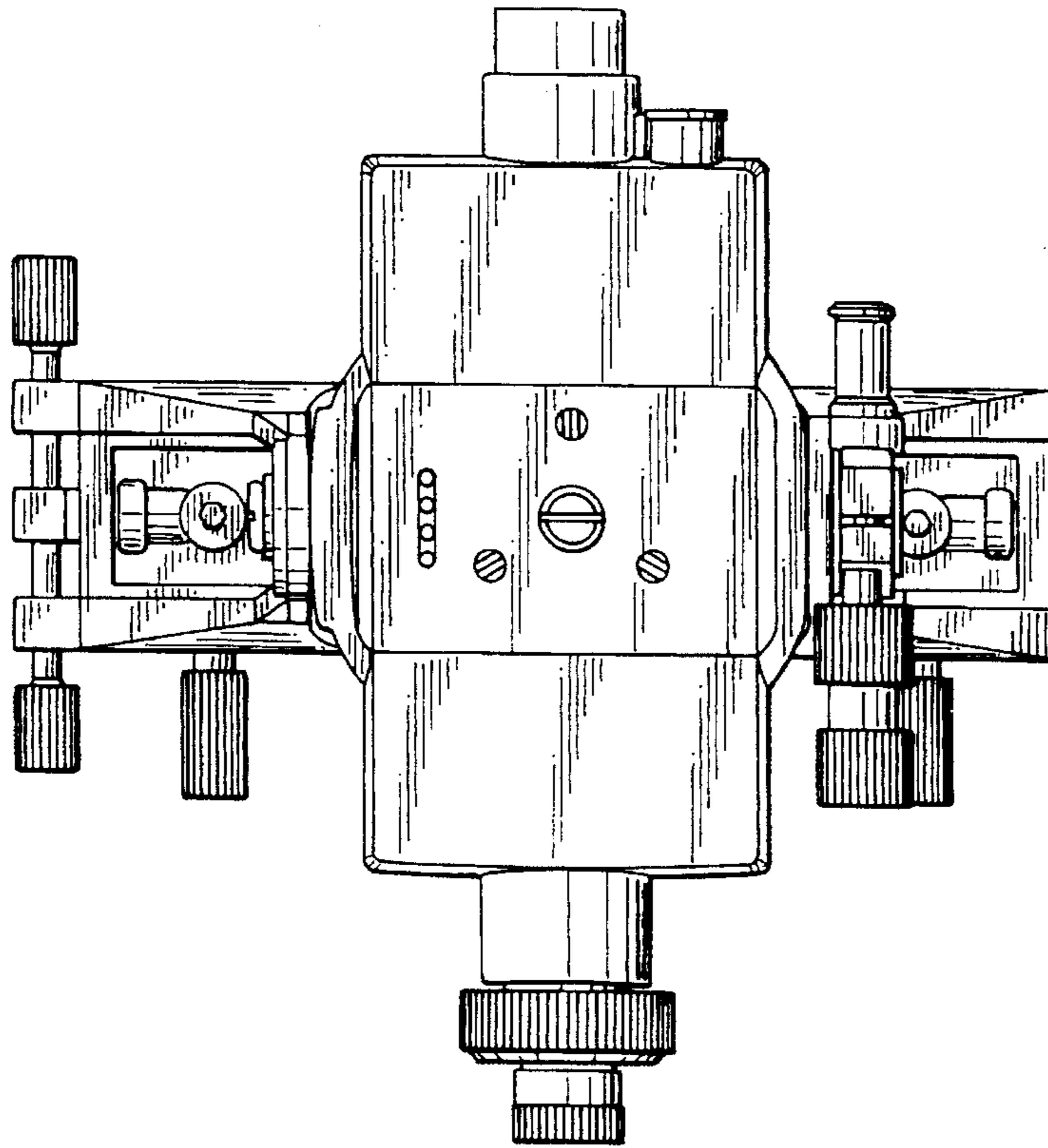


FIG. 6

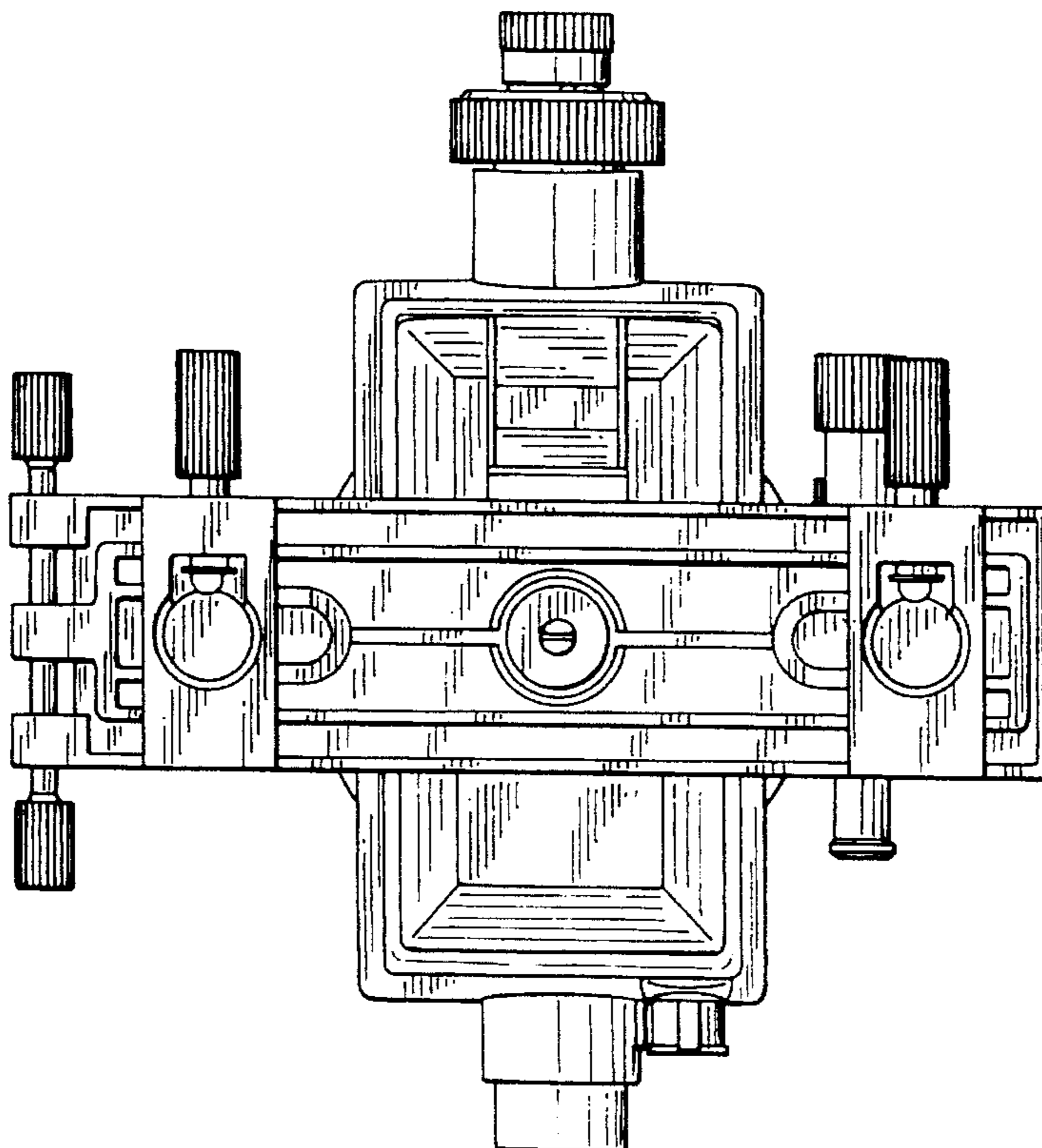


FIG. 7

