



US00D375905S

# United States Patent [19]

**Kittridge**

[11] **Patent Number: Des. 375,905**

[45] **Date of Patent: \*\*Nov. 26, 1996**

[54] **POWER TESTING DEVICE**

[76] **Inventor: John Kittridge**, 4217 Highland Rd., Suite 230, Waterford, Mich. 48320

[\*\*] **Term: 14 Years**

[21] **Appl. No.: 43,500**

[22] **Filed: Sep. 5, 1995**

[52] **U.S. Cl. .... D10/78; D10/46**

[58] **Field of Search .... D10/46, 75, 78; D18/138, 139, 144, 145, 146; 324/72.5, 76.11, 113, 133, 149, 156; 439/912**

[56] **References Cited**

**U.S. PATENT DOCUMENTS**

- D. 223,001 2/1972 Bonanno ..... D10/75
- D. 330,864 11/1992 Jakul et al. .... D10/75 X
- D. 335,122 4/1993 Hughes ..... D13/146

*Primary Examiner*—Antoine Duval Davis  
*Attorney, Agent, or Firm*—Gifford, Krass, Groh, Sprinkle, Patmore, Anderson & Citkowski, P.C.

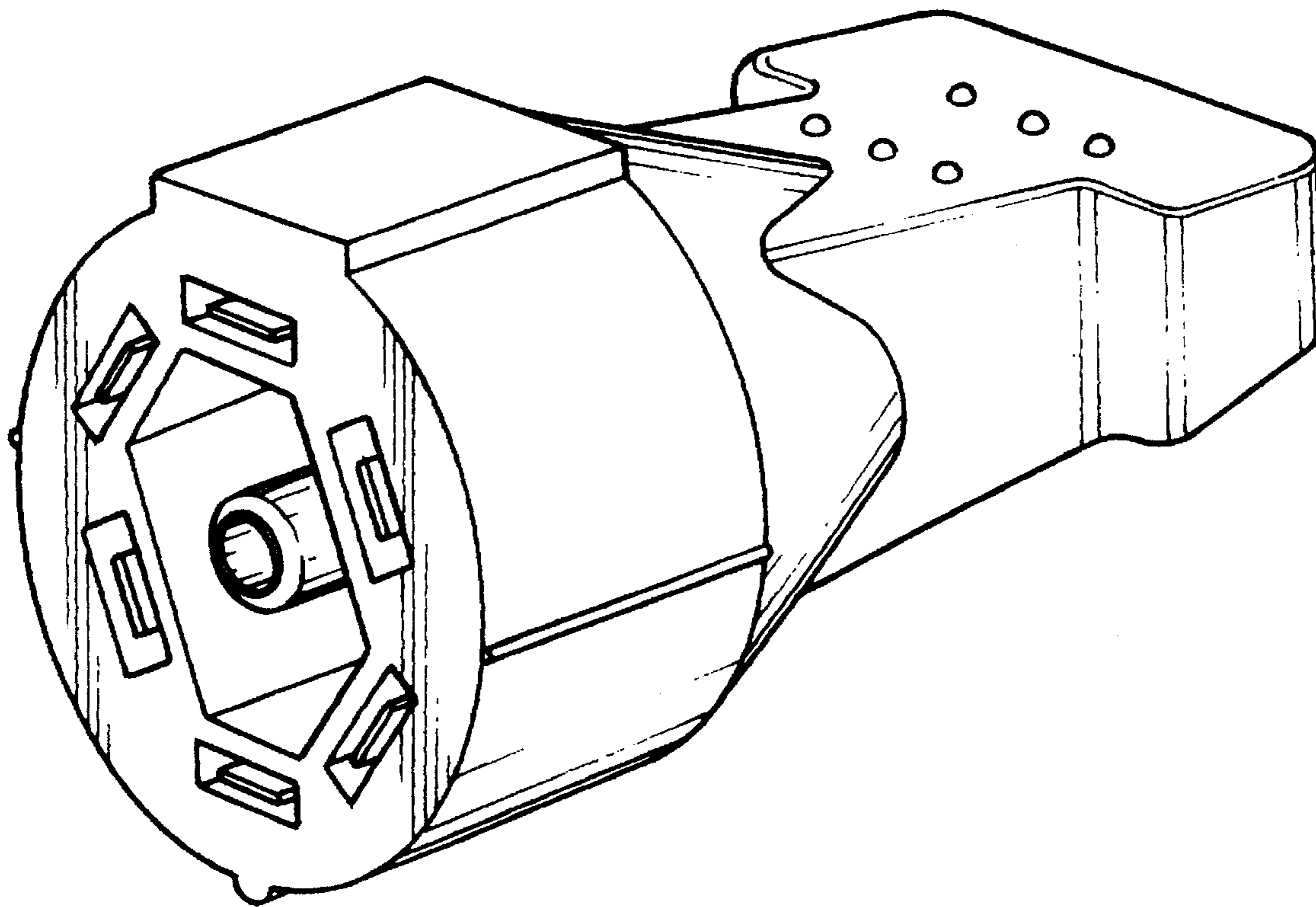
[57] **CLAIM**

The ornamental design for a power testing device, as shown and described.

**DESCRIPTION**

FIG. 1 is a perspective view of a power testing device showing my new design;  
FIG. 2 is a front view of the power testing device;  
FIG. 3 is a rear view of the power testing device;  
FIG. 4 is a right side view of the power testing device;  
FIG. 5 is a left side view of the power testing device;  
FIG. 6 is a bottom view of the power testing device; and,  
FIG. 7 is a top view of the power testing device.

**1 Claim, 2 Drawing Sheets**



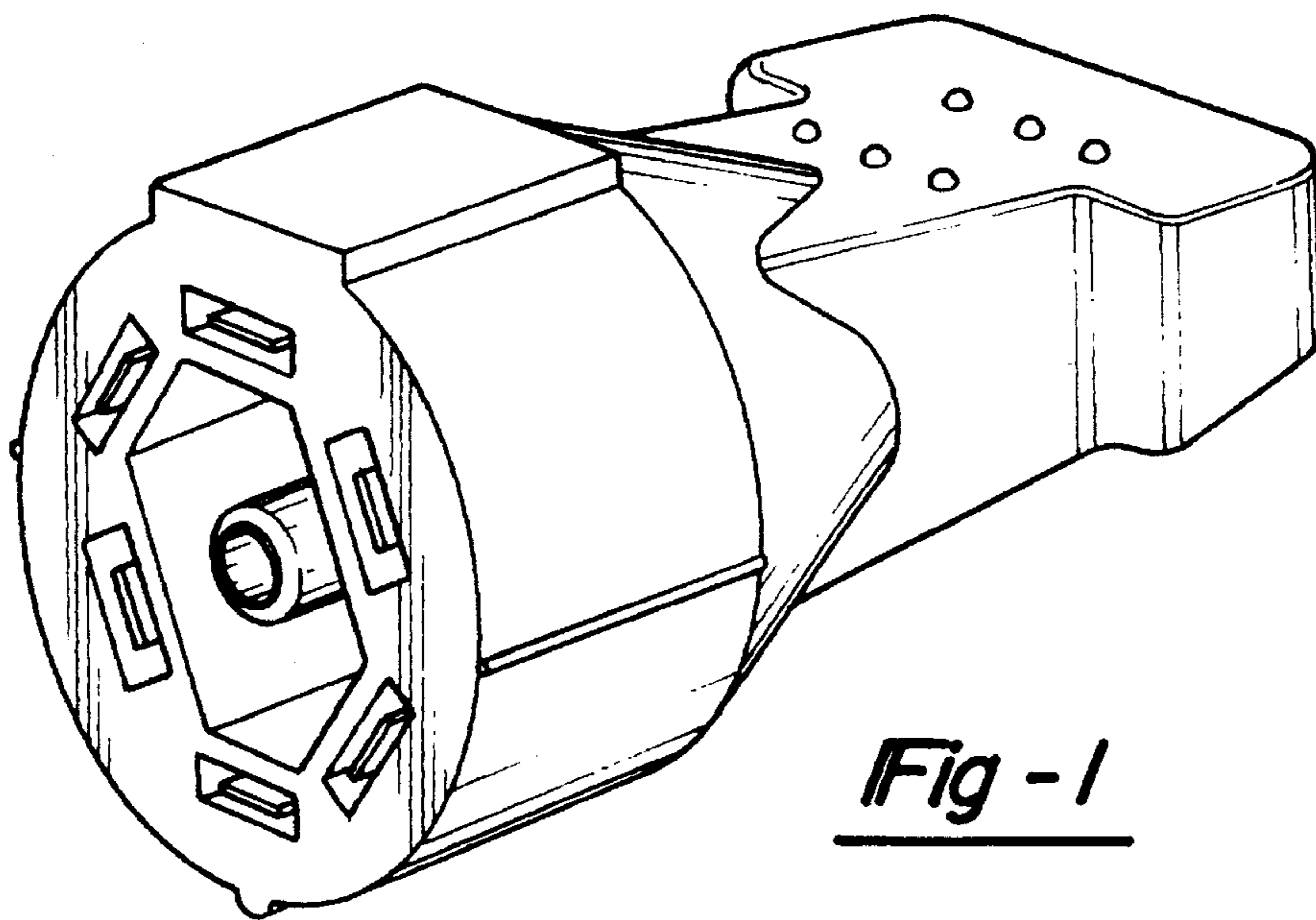


Fig - 1

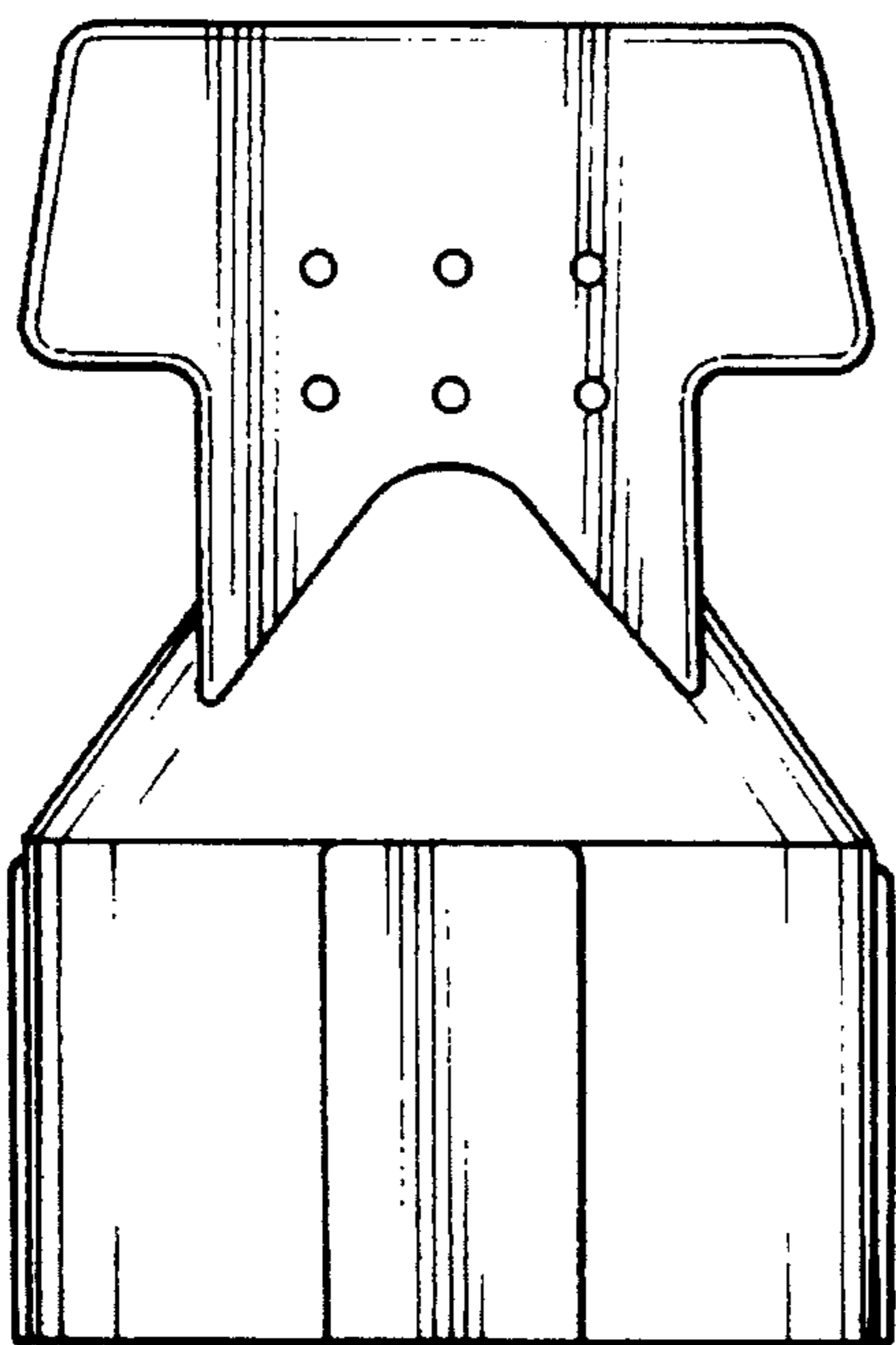


Fig - 2

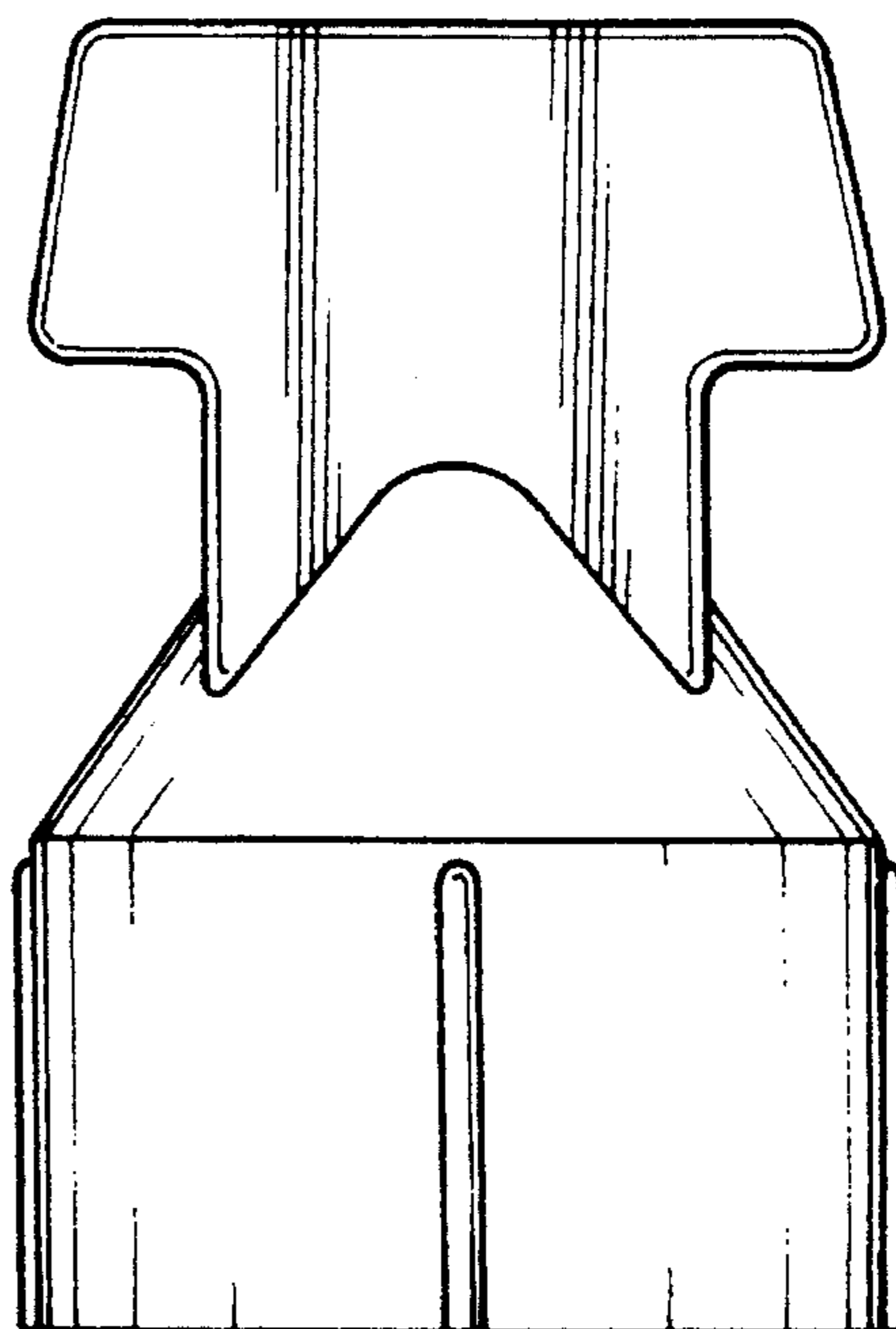


Fig - 3

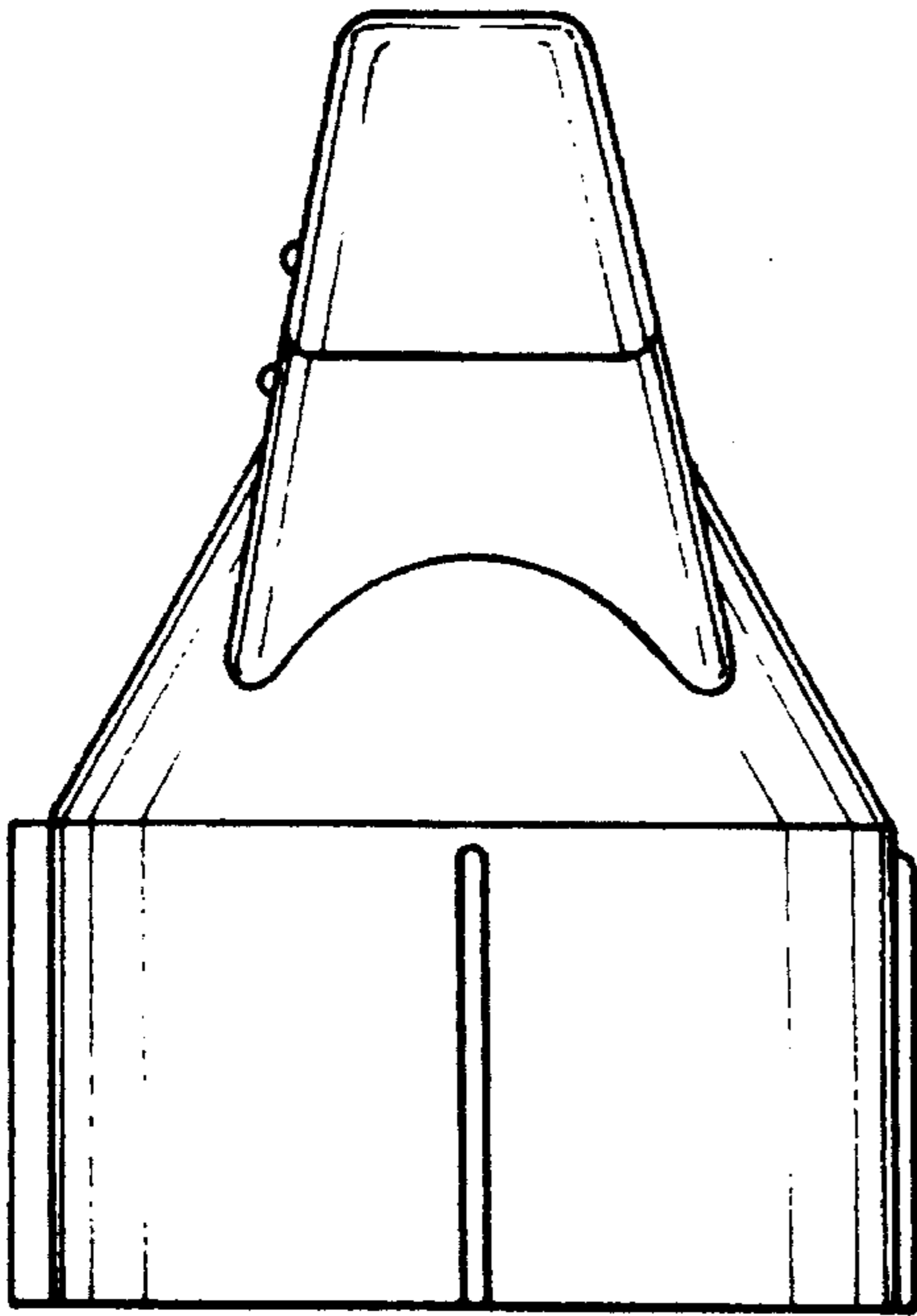


Fig - 4

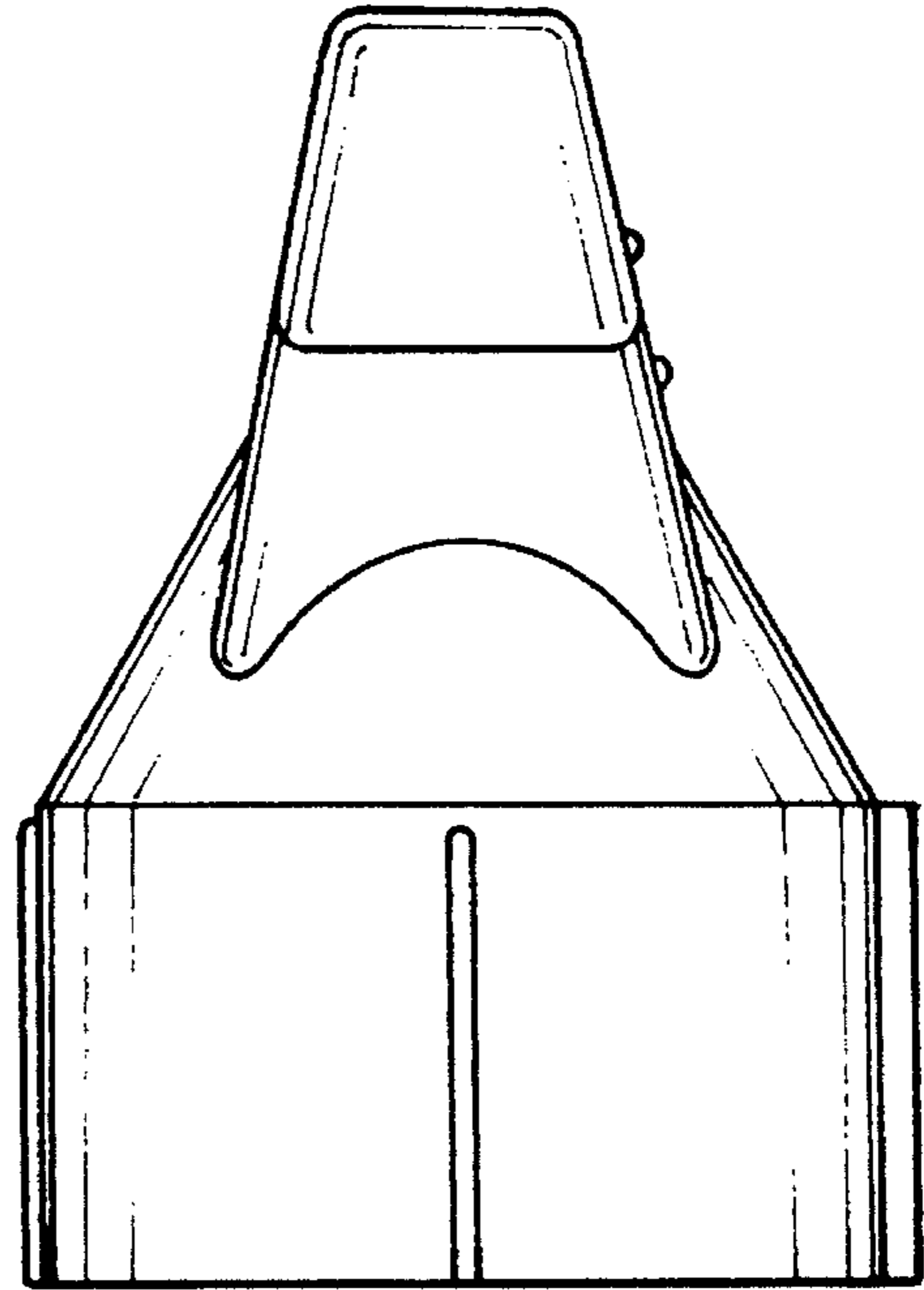


Fig - 5

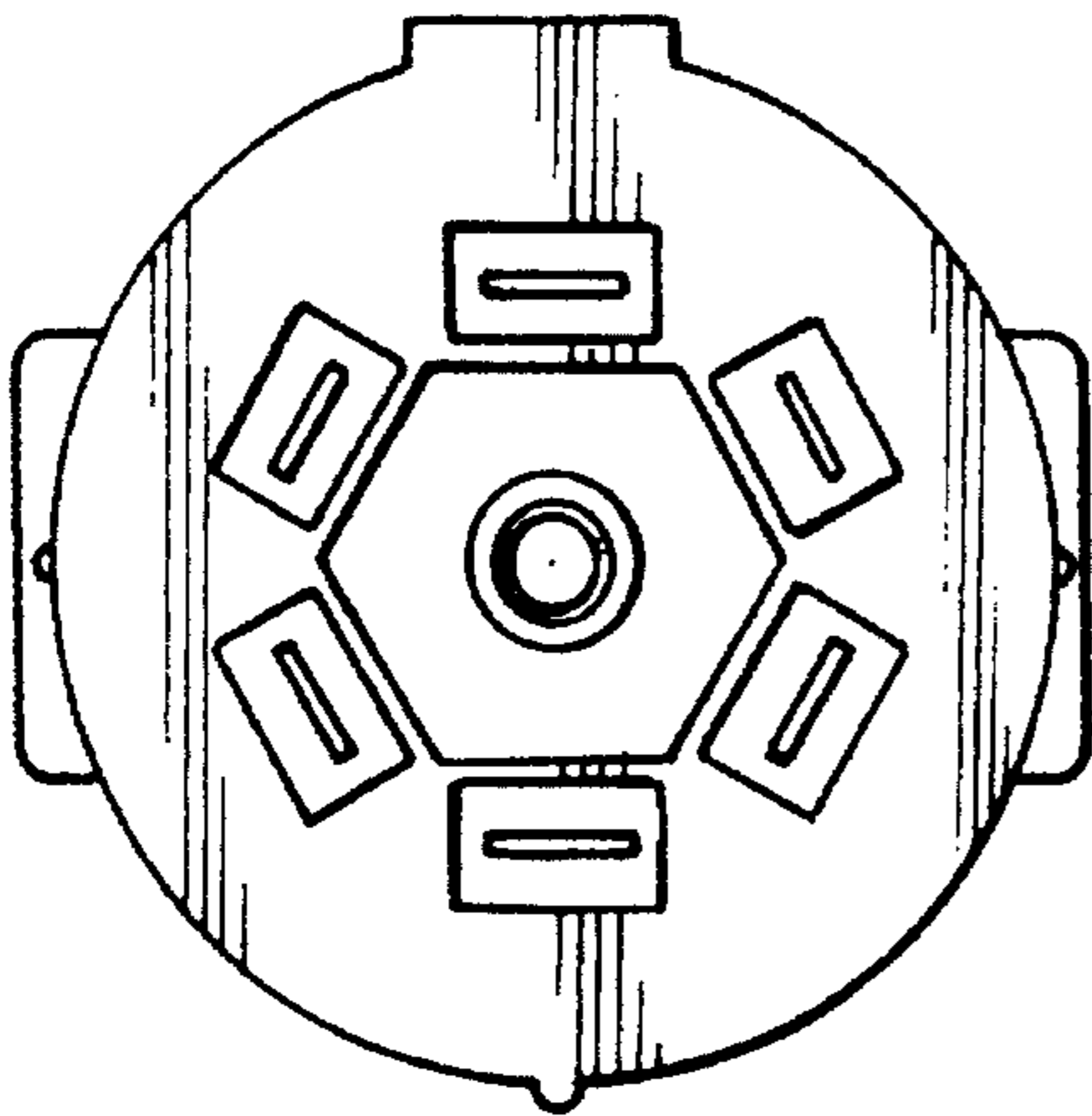


Fig - 6

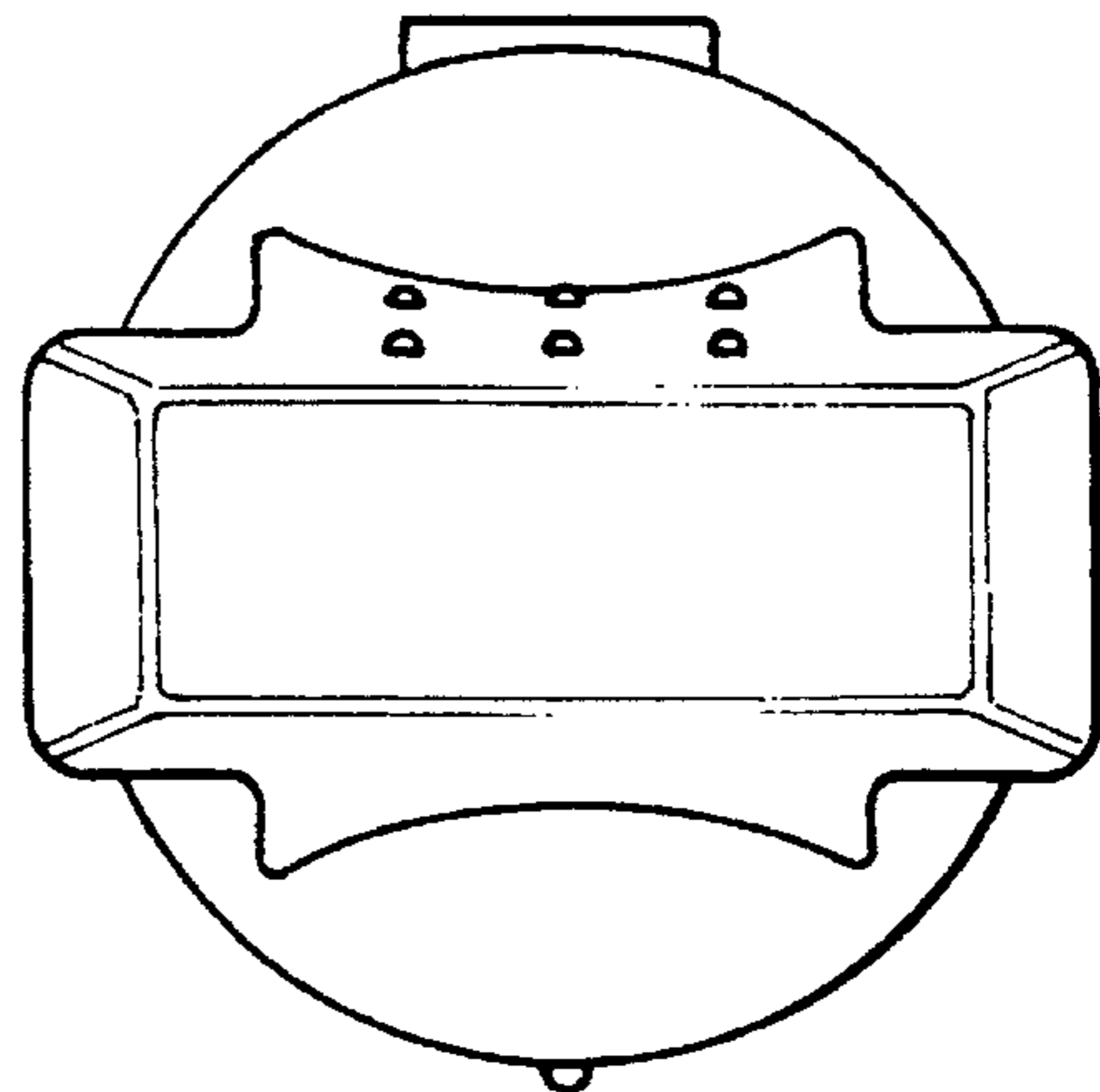


Fig - 7