



US00D375904S

# United States Patent [19]

Fukuda

[11] Patent Number: **Des. 375,904**

[45] Date of Patent: **\*\*Nov. 26, 1996**

[54] **TEMPERATURE CONTROLLER FOR SOLDERING IRONS**

[75] Inventor: **Shogo Fukuda**, Osaka, Japan

[73] Assignee: **Hakko Corporation**, Osaka, Japan

[\*\*] Term: **14 Years**

[21] Appl. No.: **42,448**

[22] Filed: **Aug. 10, 1995**

[52] U.S. Cl. .... **D10/50**

[58] Field of Search ..... D10/49, 50; 219/241, 219/229, 237; 228/51

[56] **References Cited**

**U.S. PATENT DOCUMENTS**

2,582,481	1/1952	Dvorak et al. ....	219/241
2,717,952	9/1955	Dvorak .....	219/237
2,735,923	2/1956	Juvinall et al. ....	219/237
2,747,074	5/1956	Finch .....	219/237
2,897,335	7/1959	Finch .....	219/237
3,654,427	4/1972	Schoenwald .....	219/241
5,122,637	6/1992	Bottorff et al. ....	219/241

*Primary Examiner*—Antoine Duval Davis  
*Attorney, Agent, or Firm*—Lockwood, Alex, FitzGibbon & Cummings

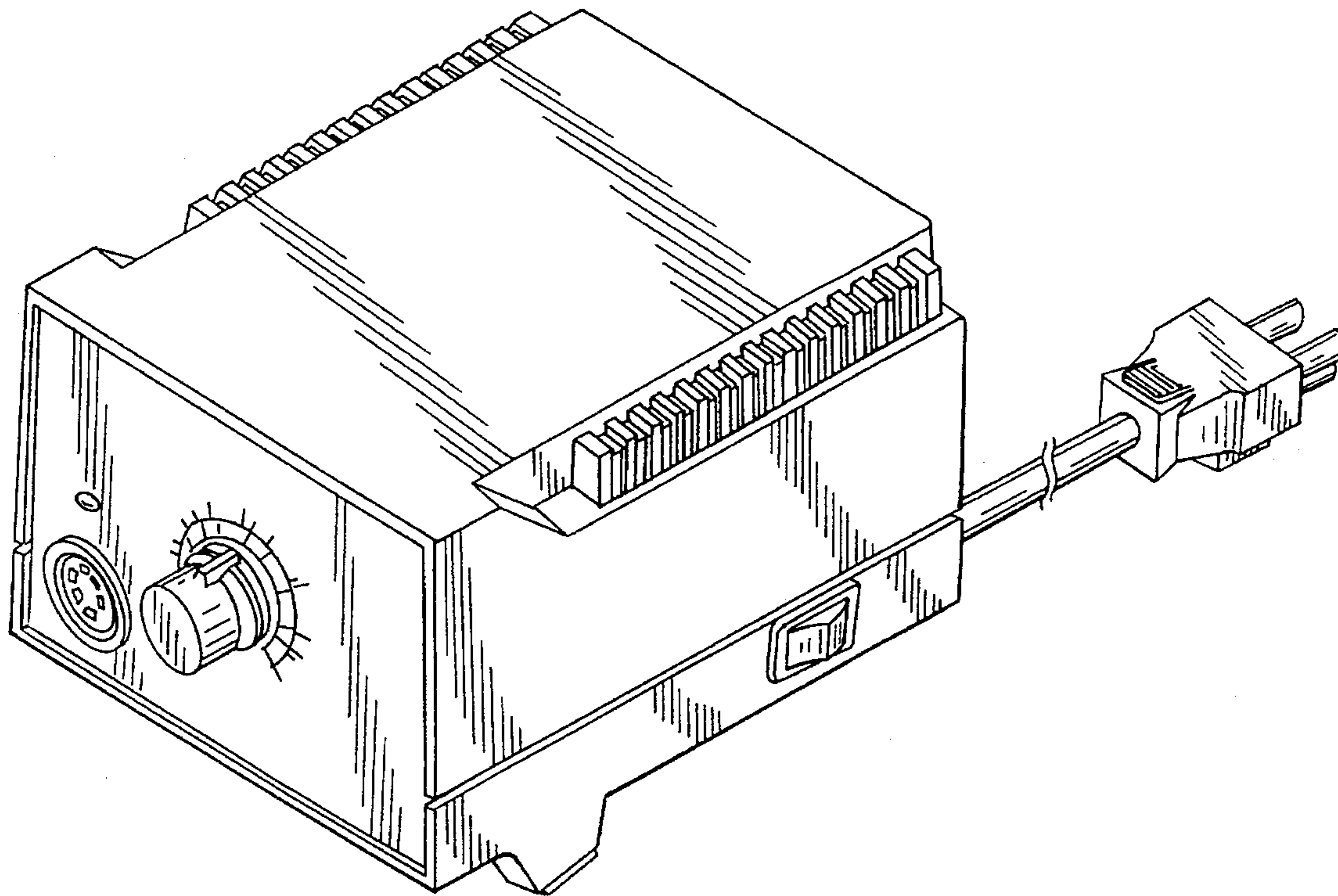
[57] **CLAIM**

The ornamental design for a temperature controller for soldering irons, as shown and described.

**DESCRIPTION**

FIG. 1 is a perspective view of a temperature controller for soldering irons embodying the present inventive design; FIG. 2 is a front elevational view; FIG. 3 is a rear elevational view; FIG. 4 is a right side elevational view; FIG. 5 is a left side elevational view; FIG. 6 is a top plan view; FIG. 7 is a bottom plan view; FIG. 8 is a cross-sectional view taken along the line 8—8 of FIG. 4; and, FIG. 9 is a perspective view showing the temperature controller for soldering irons in operation. The broken line showings are for illustrative purposes only and forms no part of the claimed design.

**1 Claim, 6 Drawing Sheets**



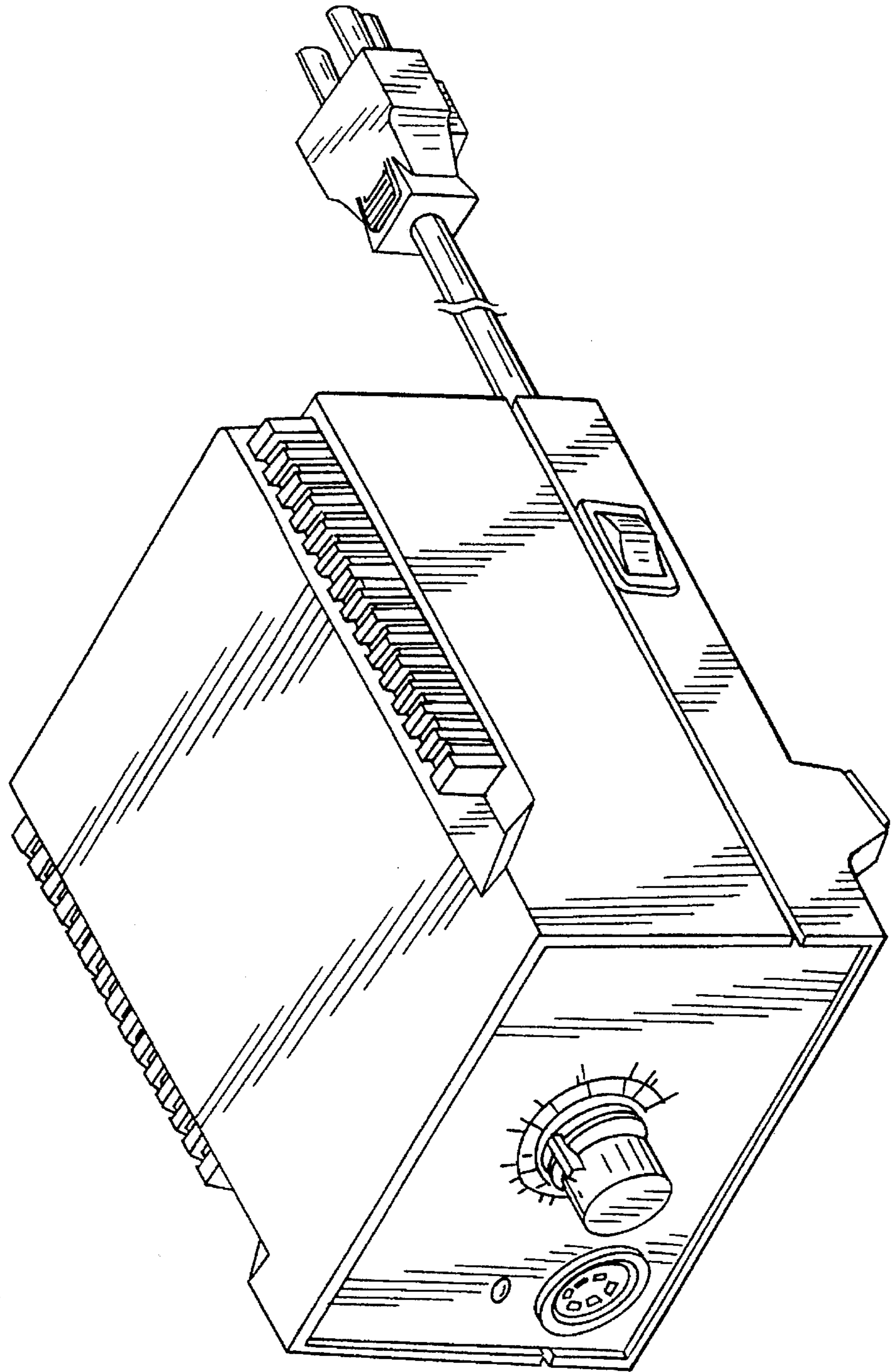


FIG. 1

FIG. 2

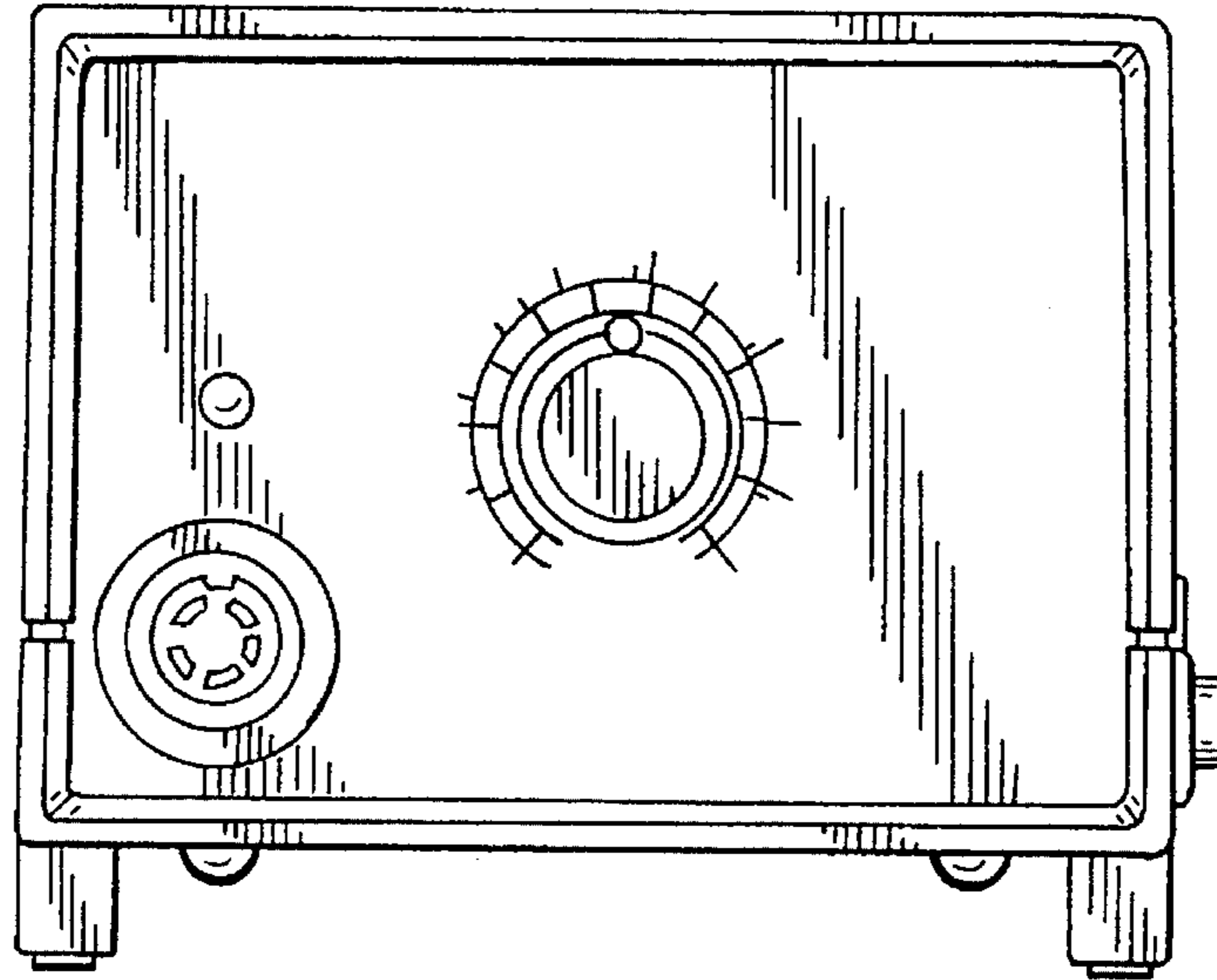


FIG. 3

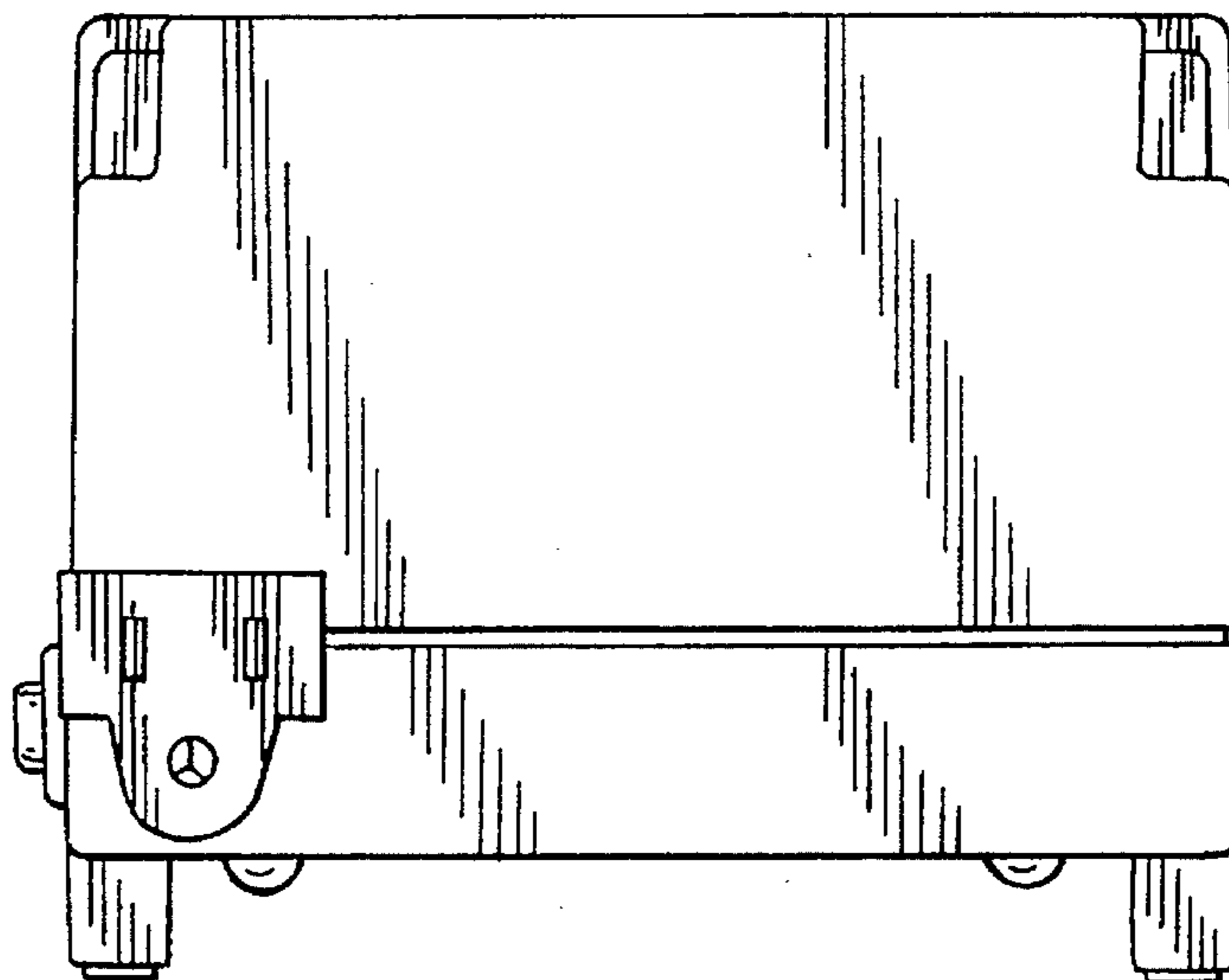


FIG. 4

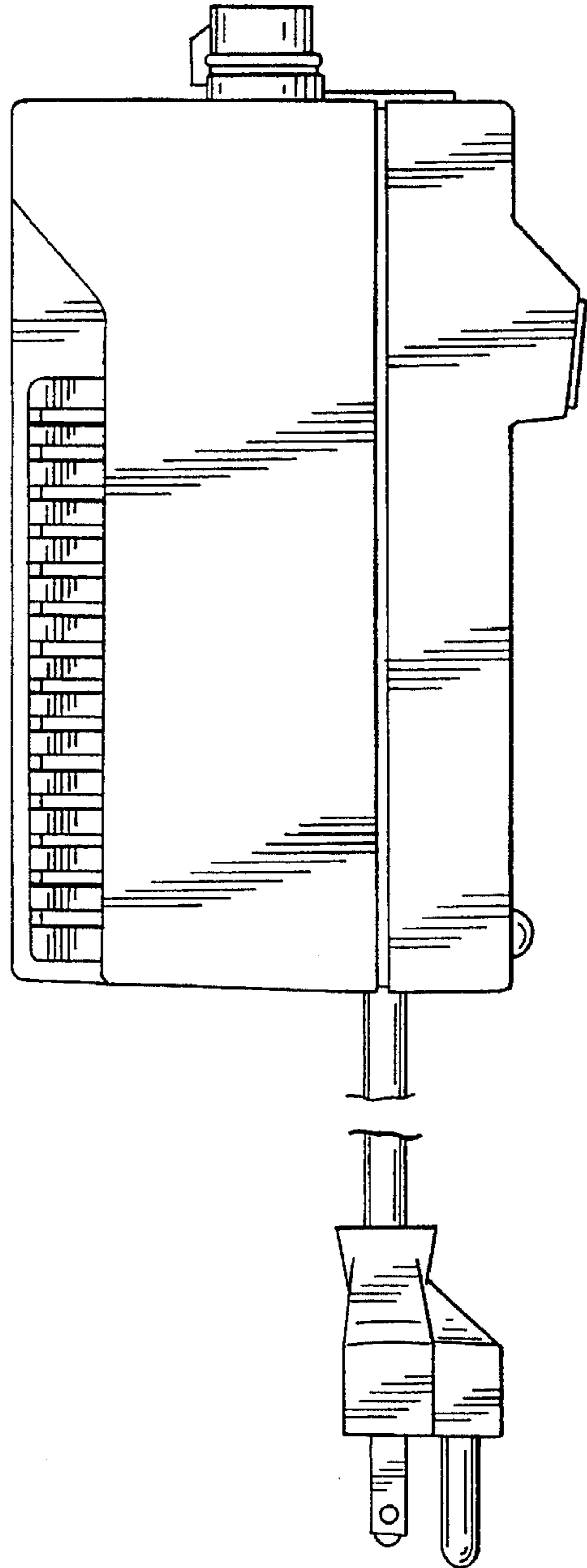
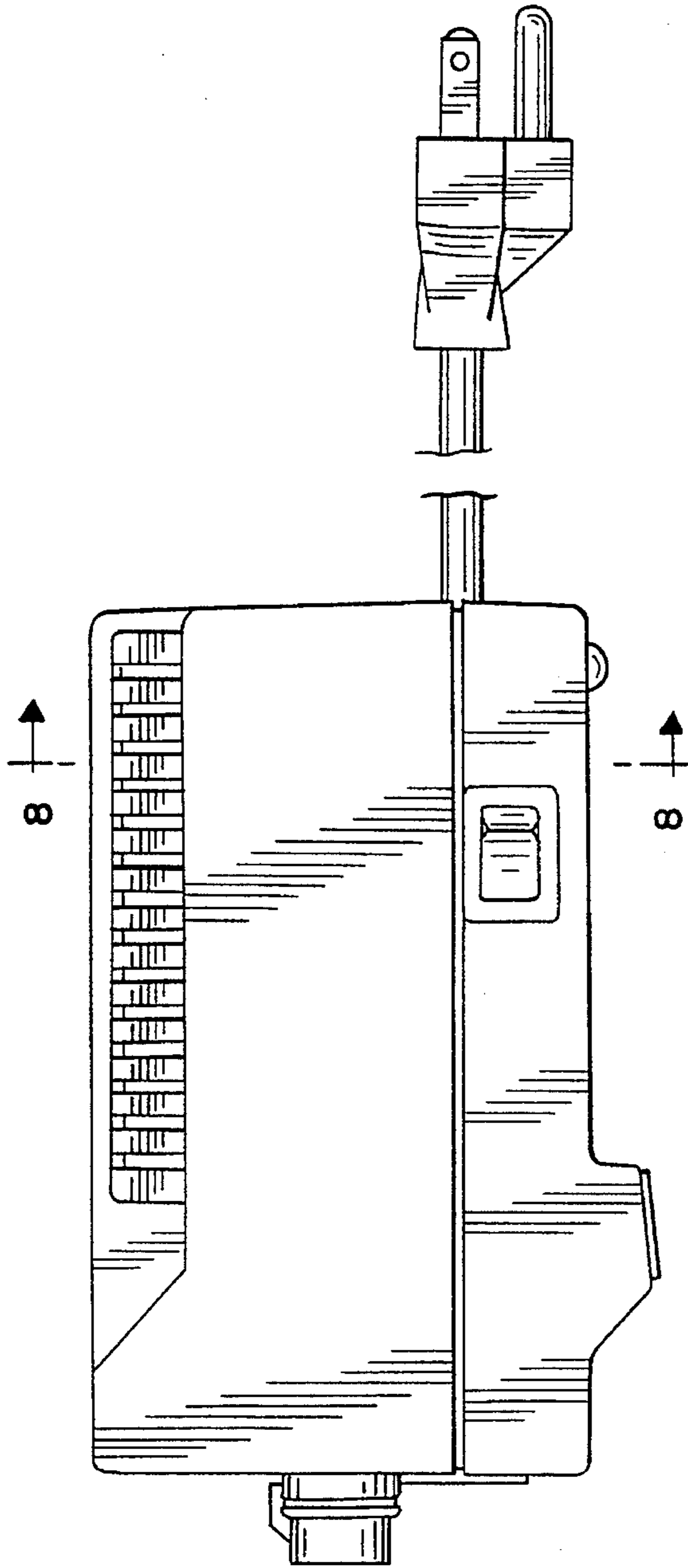


FIG. 5

FIG. 6

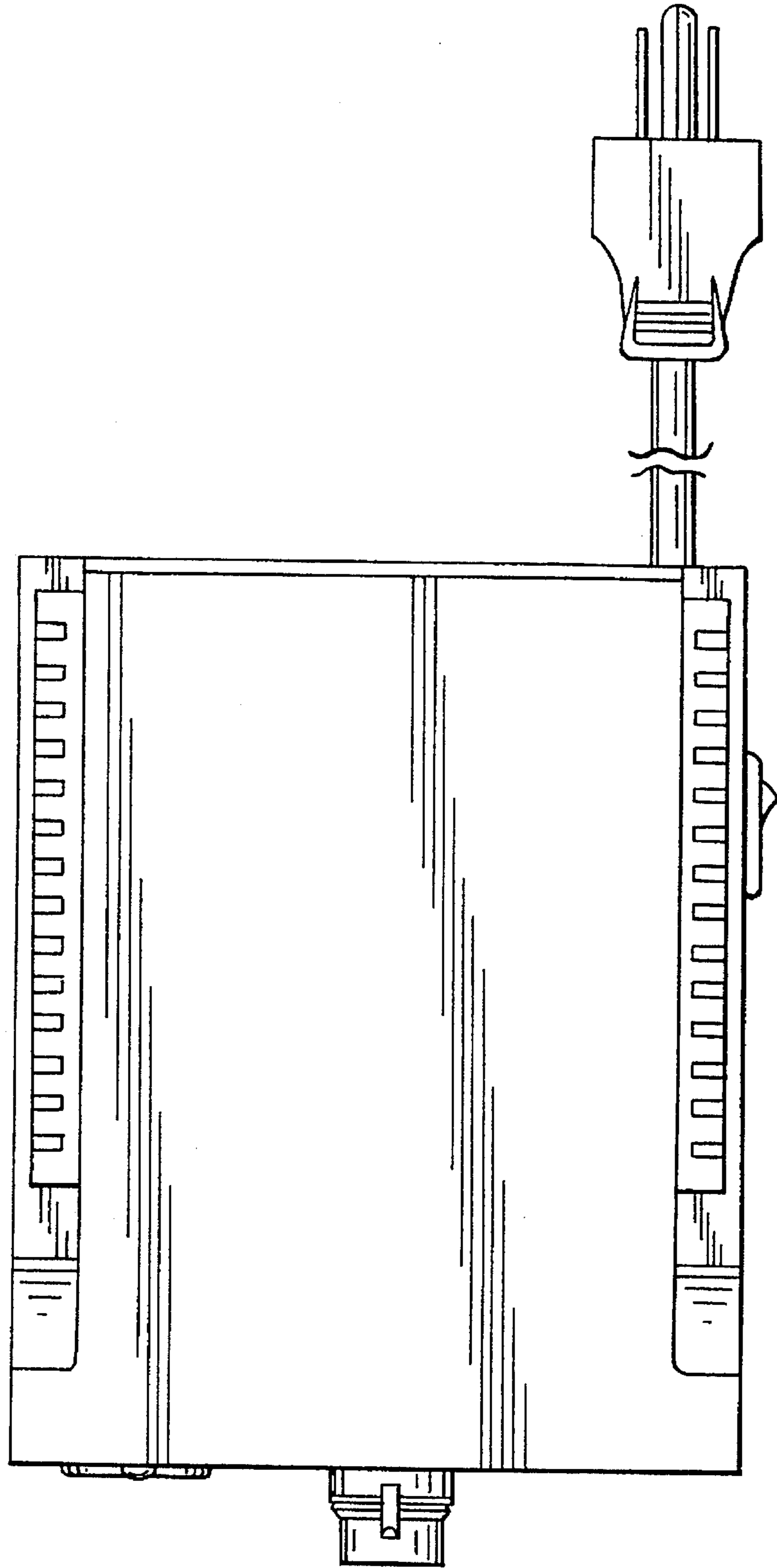


FIG. 7

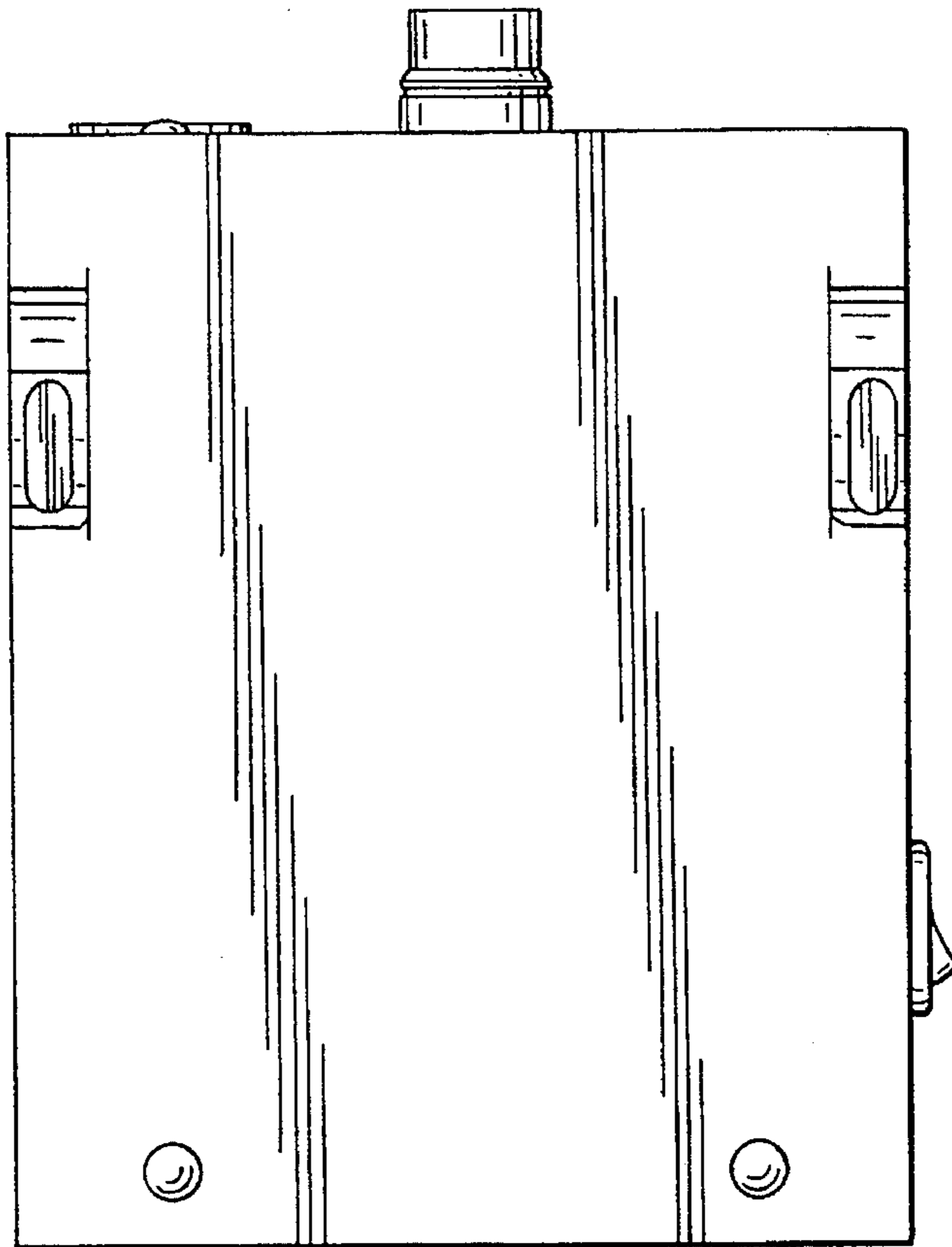


FIG. 8

