



US00D375902S

# United States Patent [19]

Wong

[11] Patent Number: **Des. 375,902**

[45] Date of Patent: **\*\*Nov. 26, 1996**

[54] LCD ALARM CLOCK

[75] Inventor: **Shu K. Wong**, Hong Kong, Hong Kong

[73] Assignee: **Herald Electronics Limited**, New Territories, Hong Kong

[\*\*] Term: **14 Years**

[21] Appl. No.: **46,908**

[22] Filed: **Nov. 20, 1995**

[52] U.S. Cl. .... **D10/15; D10/18**

[58] Field of Search ..... D10/1-40, 122-132; 368/223, 228-229, 232, 276-277, 280-282, 285, 28-30, 41-44, 239-242, 10

[56] **References Cited**

**U.S. PATENT DOCUMENTS**

D. 252,614	8/1979	Thornberry	.....	D10/40
D. 255,551	6/1980	Hirota	.....	D10/15
D. 309,437	7/1990	Ng	.....	D10/15 X
D. 337,950	8/1993	Davis	.....	D10/15
D. 359,455	6/1995	Wong	.....	D10/15
D. 364,355	11/1995	George	.....	D10/15 X

Primary Examiner—Nelson C. Holtje  
Attorney, Agent, or Firm—Beveridge, DeGrandi Weilacher & Young, LLP

[57] **CLAIM**

The ornamental design for a LCD alarm clock, as shown and described.

**DESCRIPTION**

FIG. 1 is a front elevational view of a LCD alarm clock showing my new design;

FIG. 2 is a back elevational view thereof;

FIG. 3 is a left side elevational view thereof;

FIG. 4 is a right side elevational view thereof;

FIG. 5 is a top elevational view thereof;

FIG. 6 is a bottom elevational view thereof;

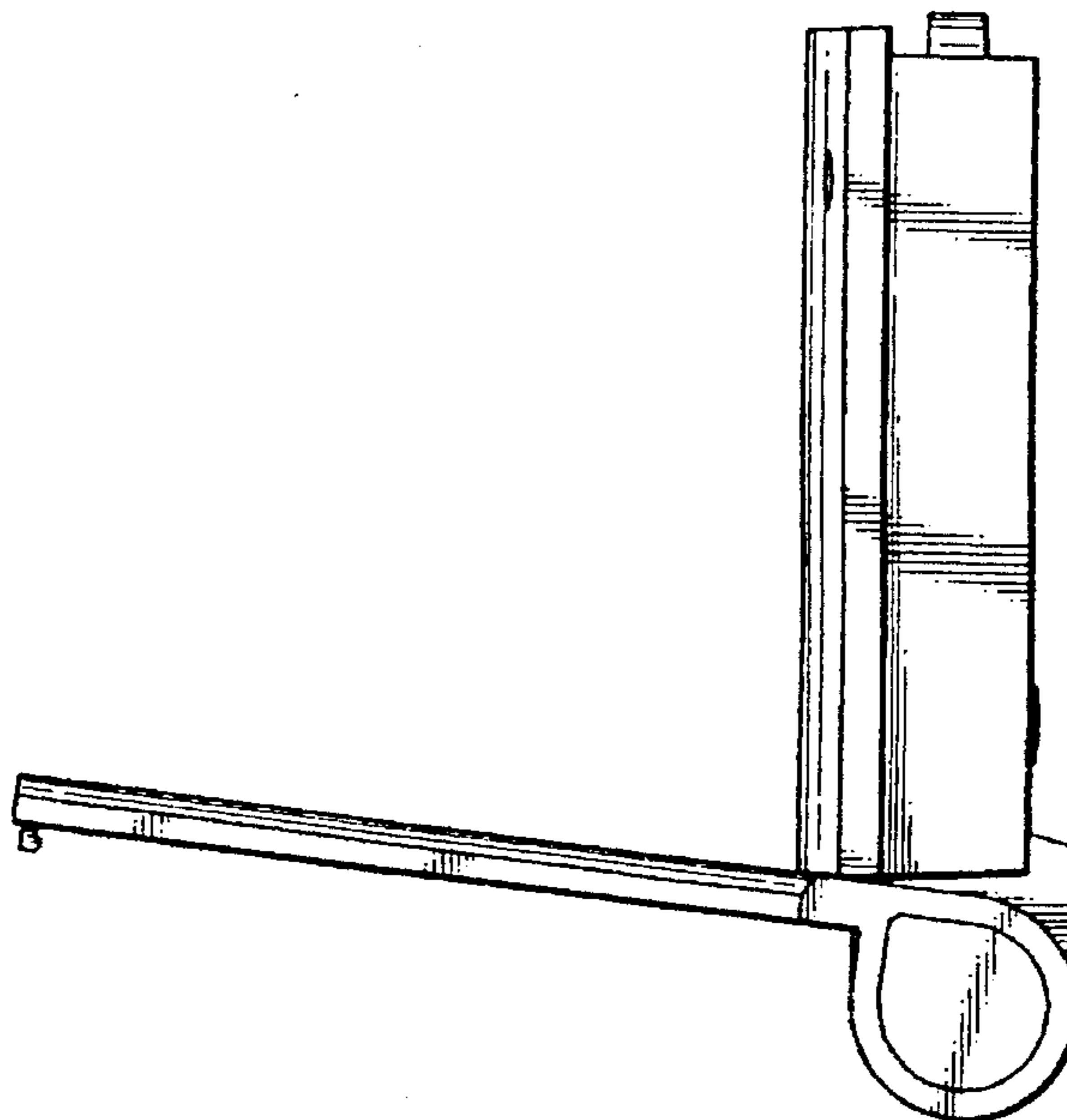
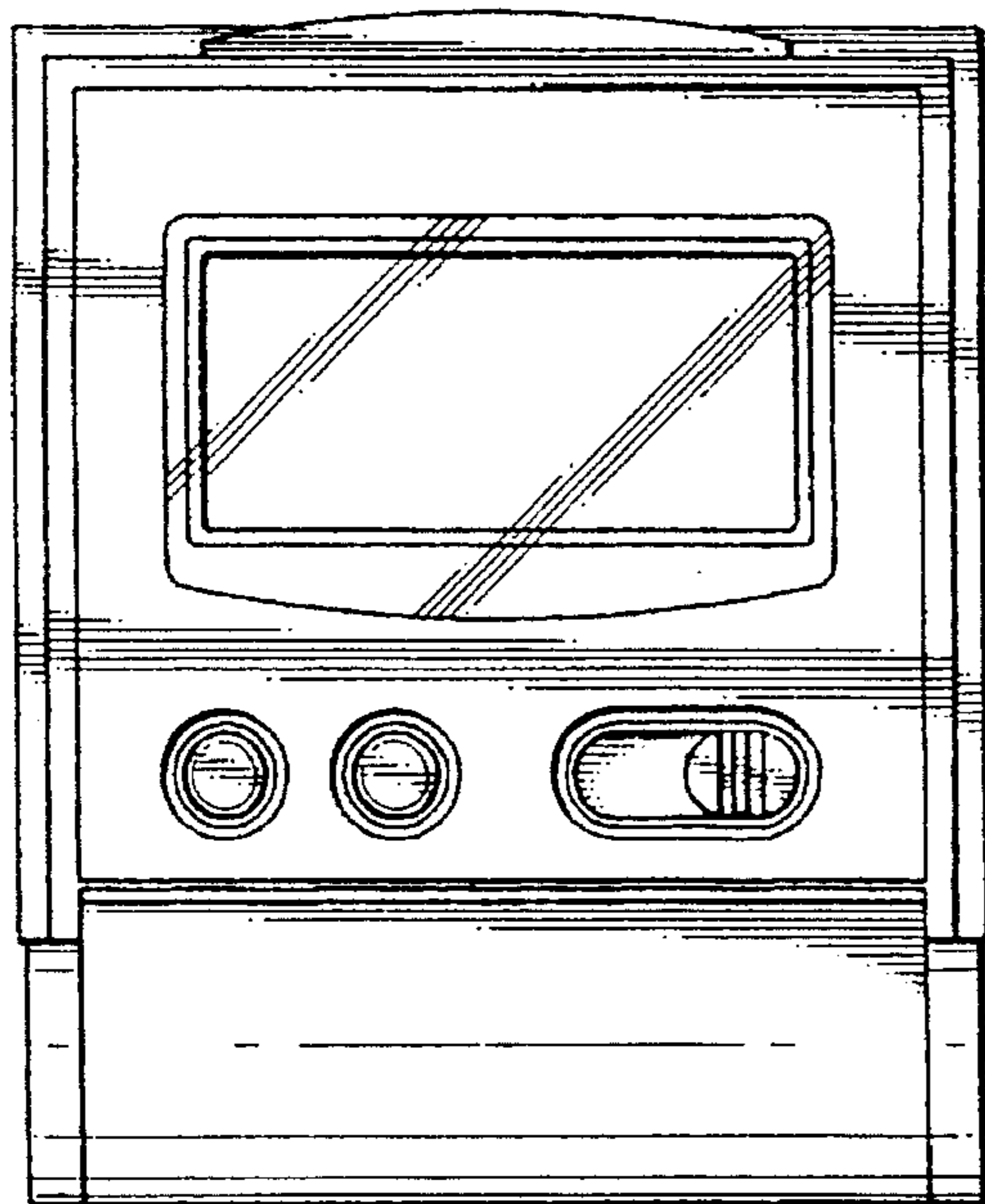
FIG. 7 is a front elevational view thereof, with lid being in a covered position;

FIG. 8 is a back elevational view thereof, with lid being in a covered position;

FIG. 9 is a left side elevational view with a covered position; and,

FIG. 10 is a top elevational view thereof, with lid being in a covered position.

**1 Claim, 10 Drawing Sheets**



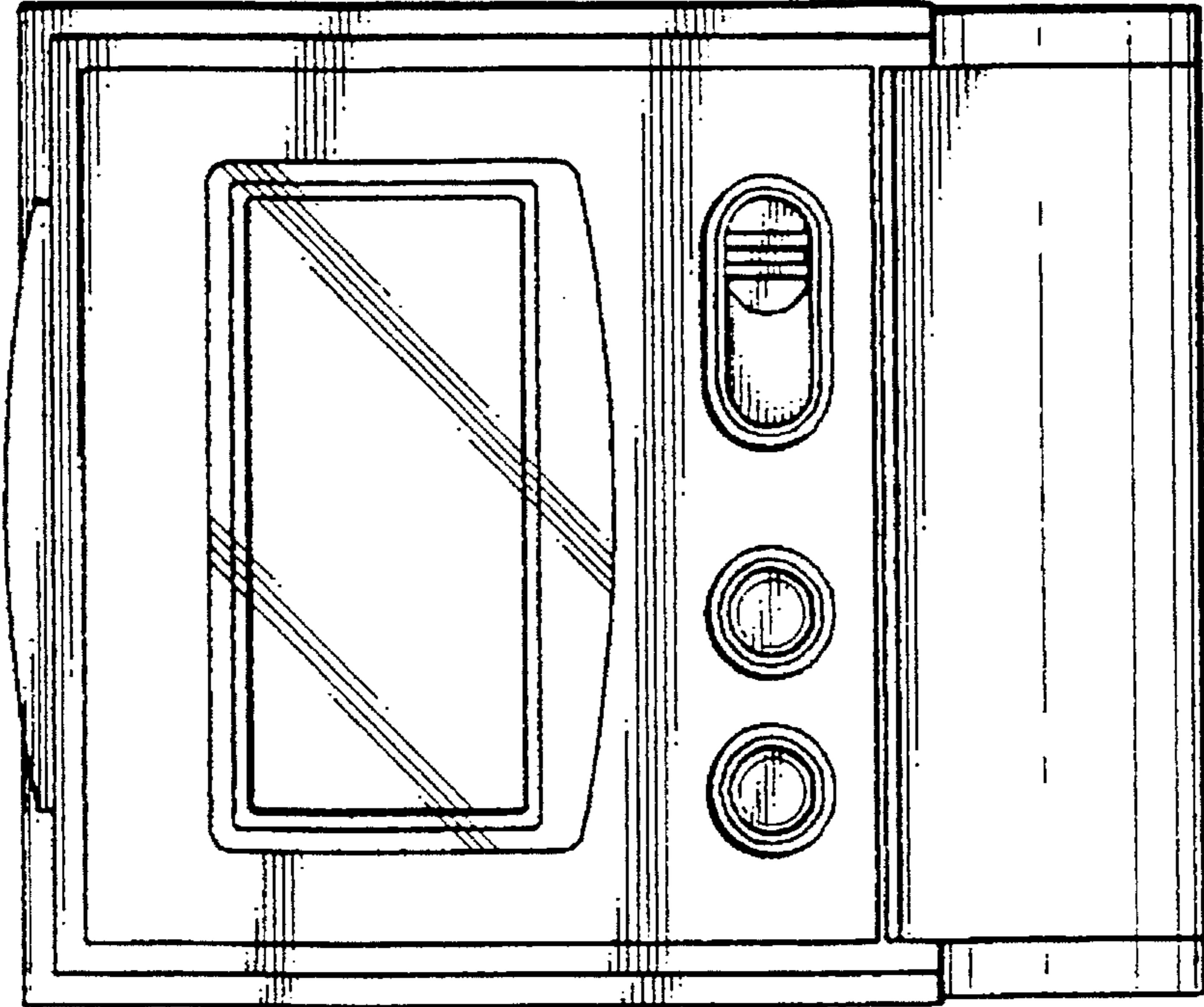


FIG. 1

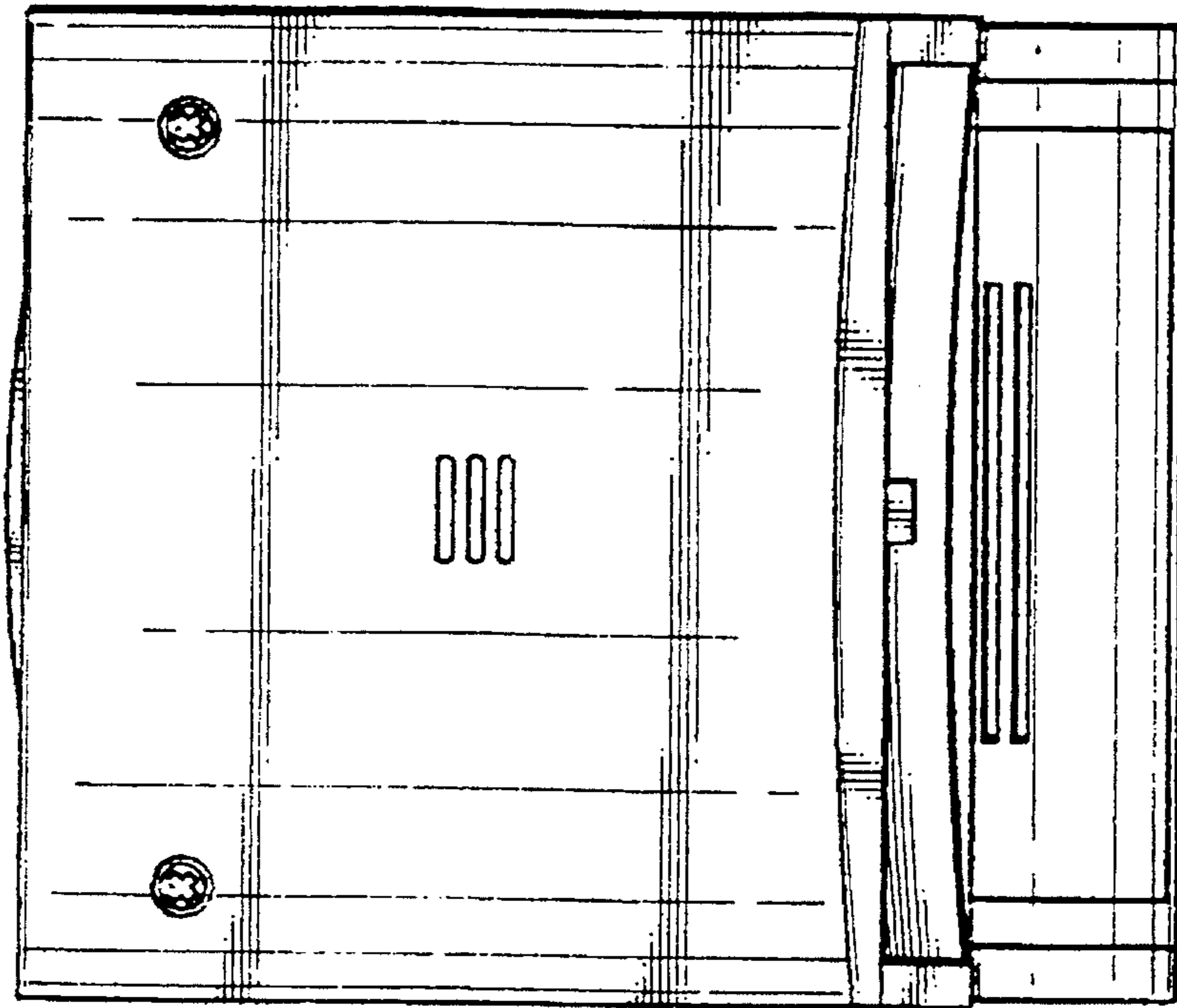


FIG. 2

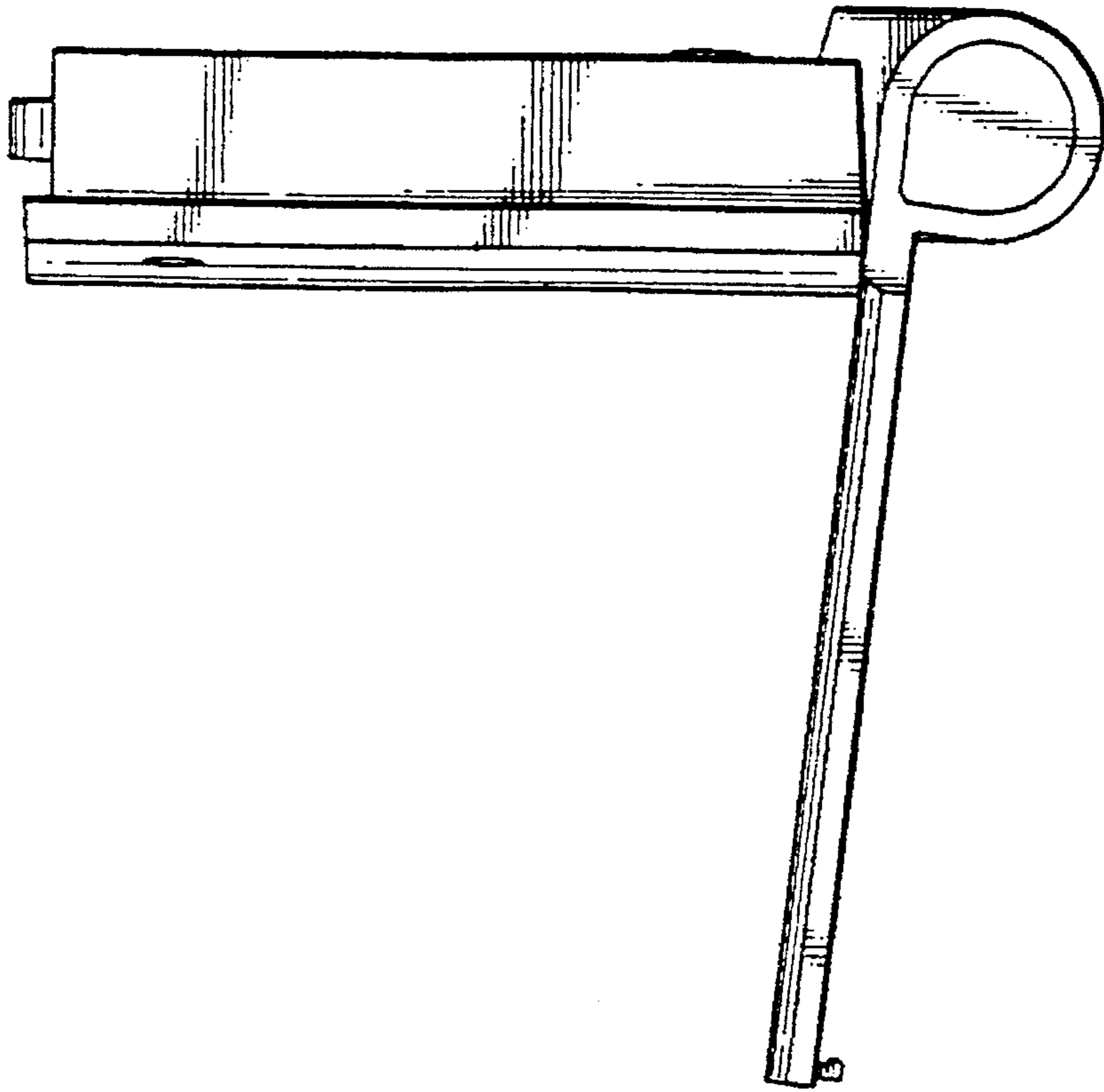


FIG. 3

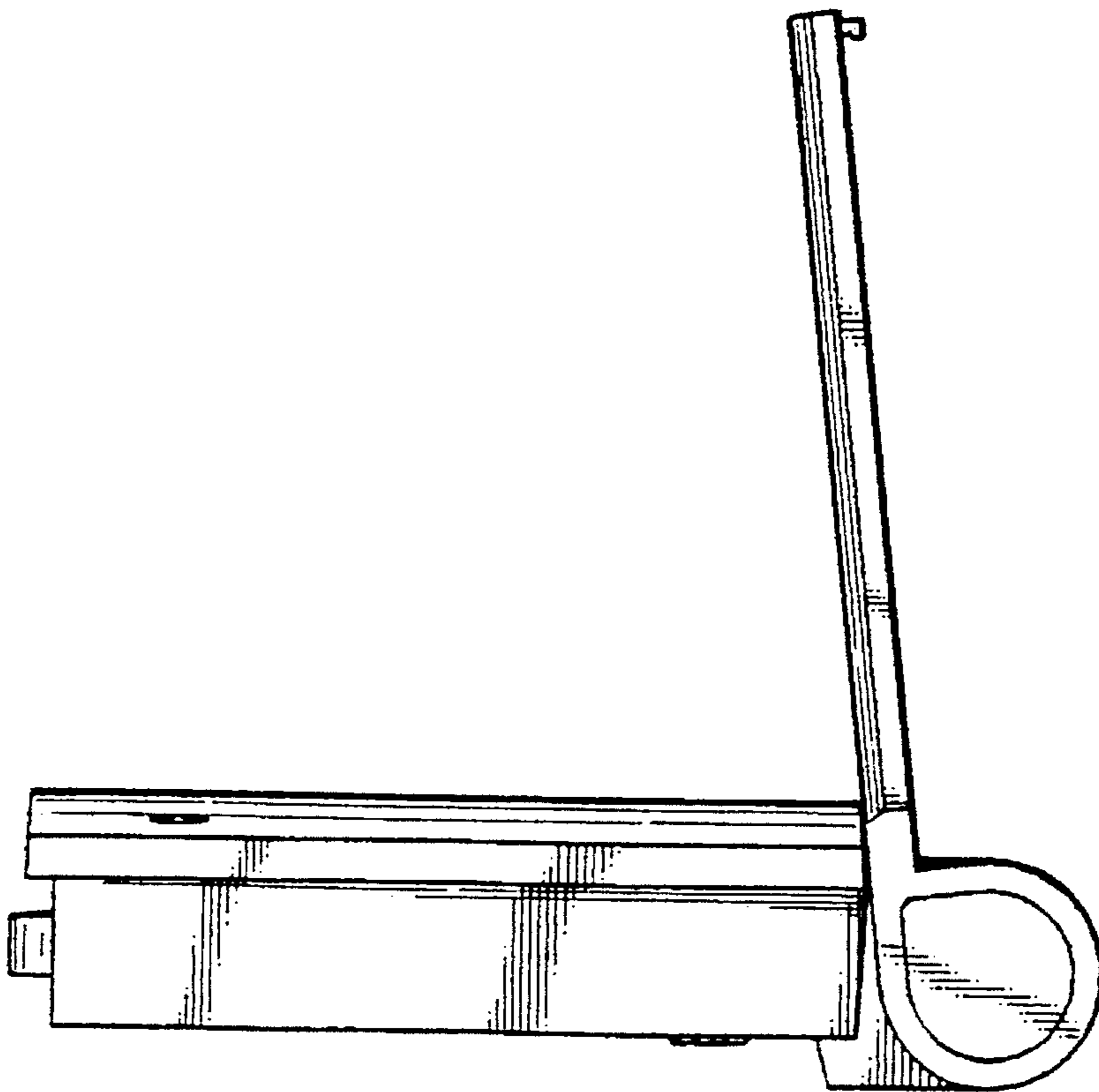


FIG. 4

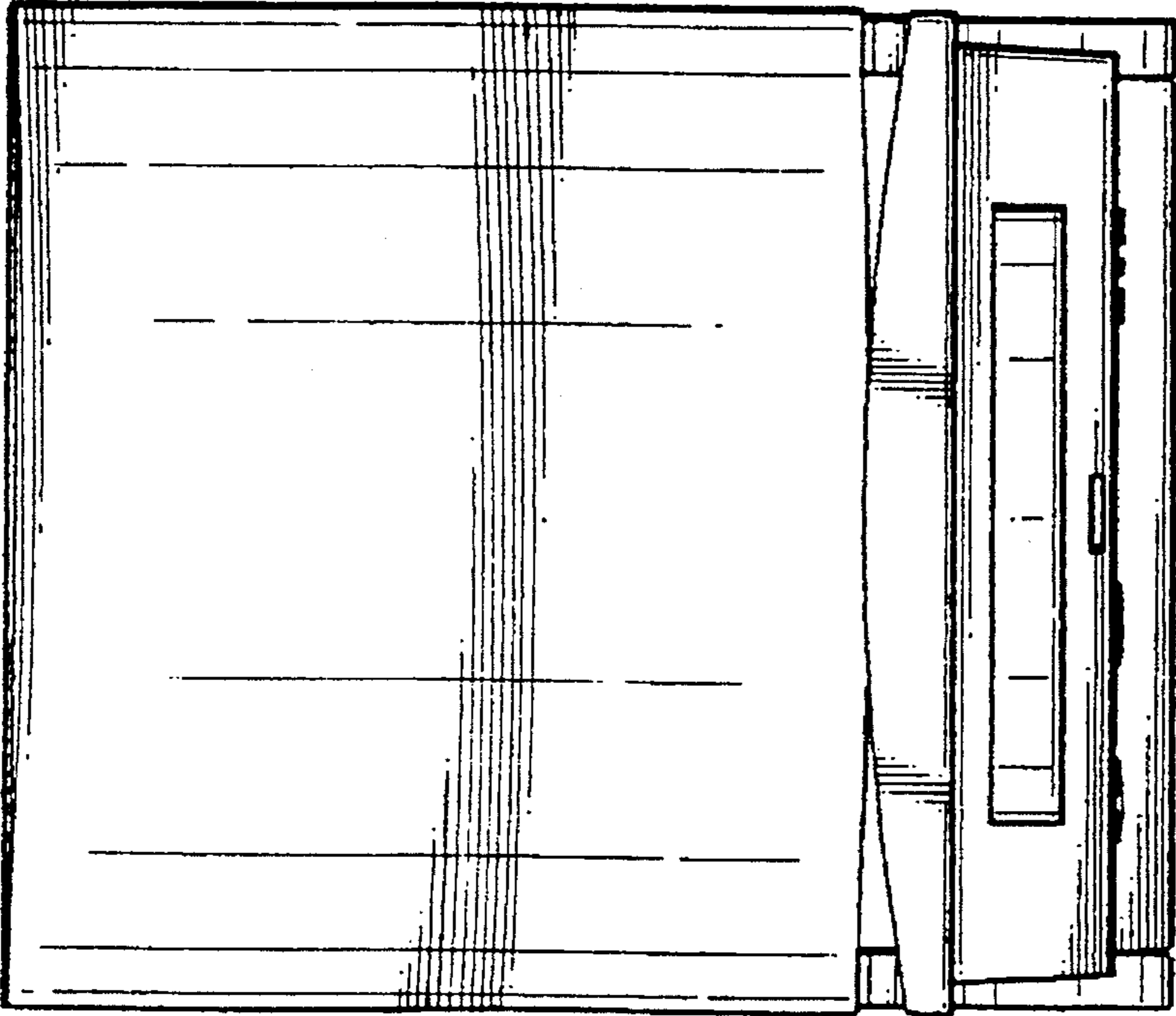


FIG. 5

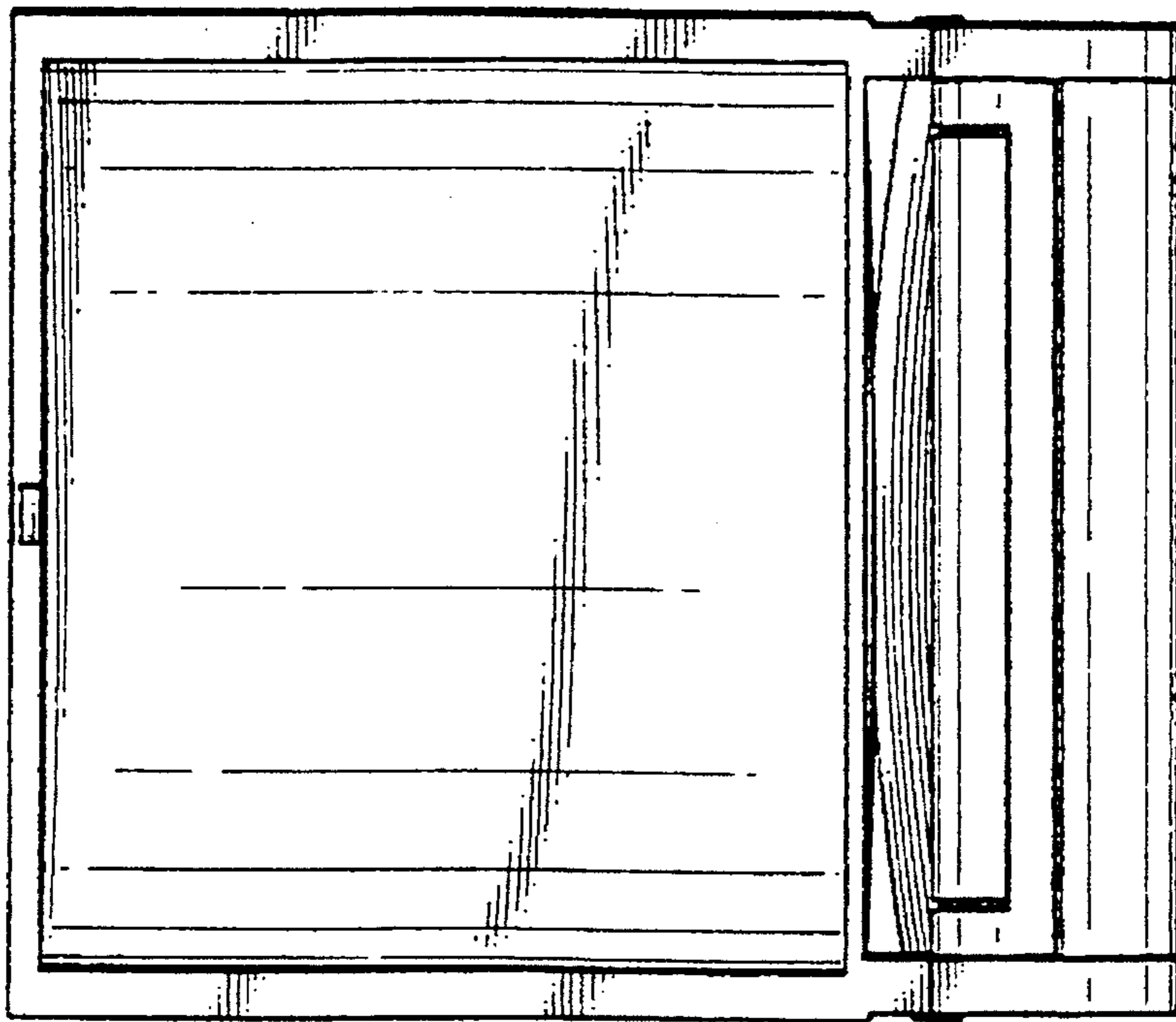


FIG. 6

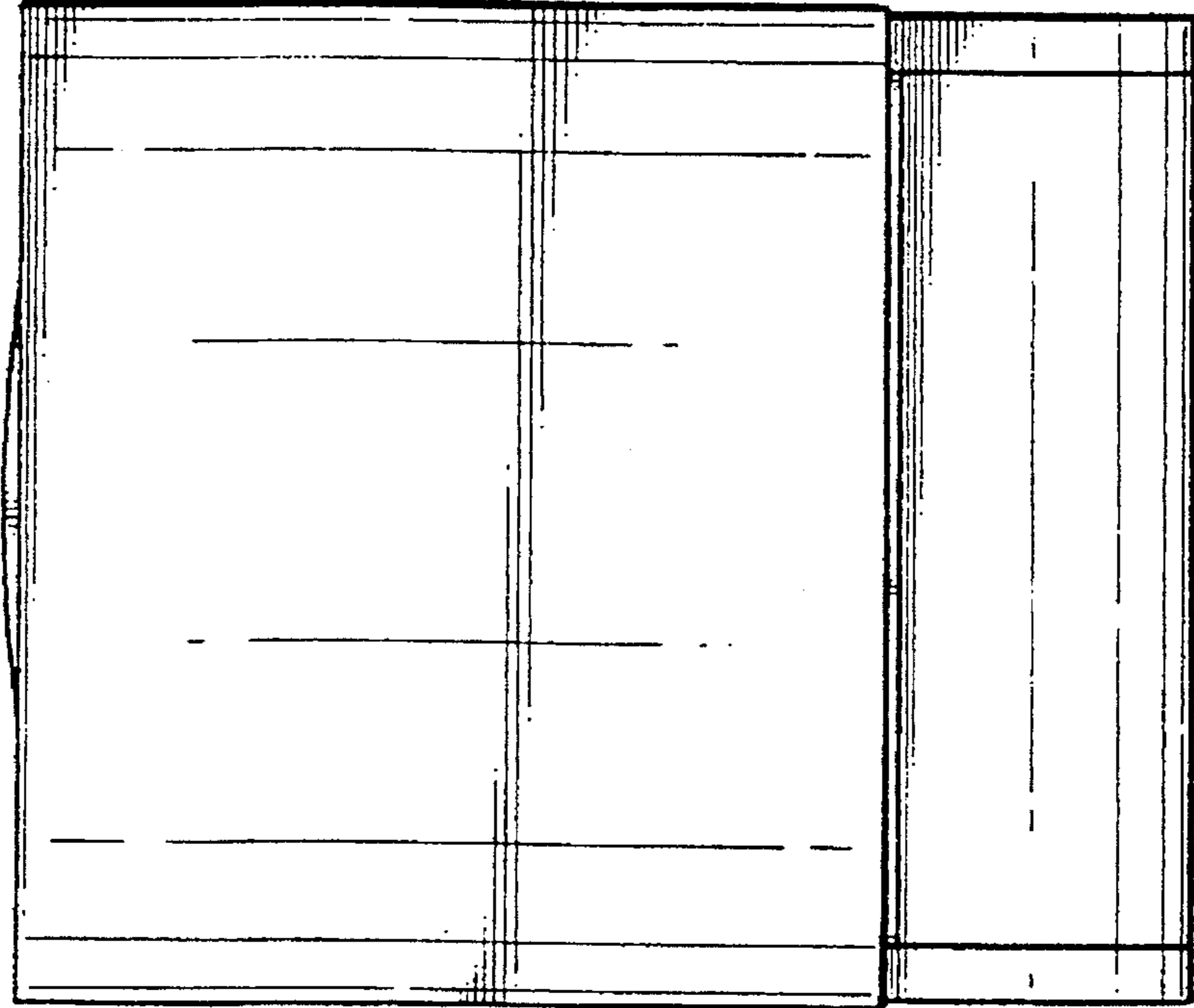


FIG. 7



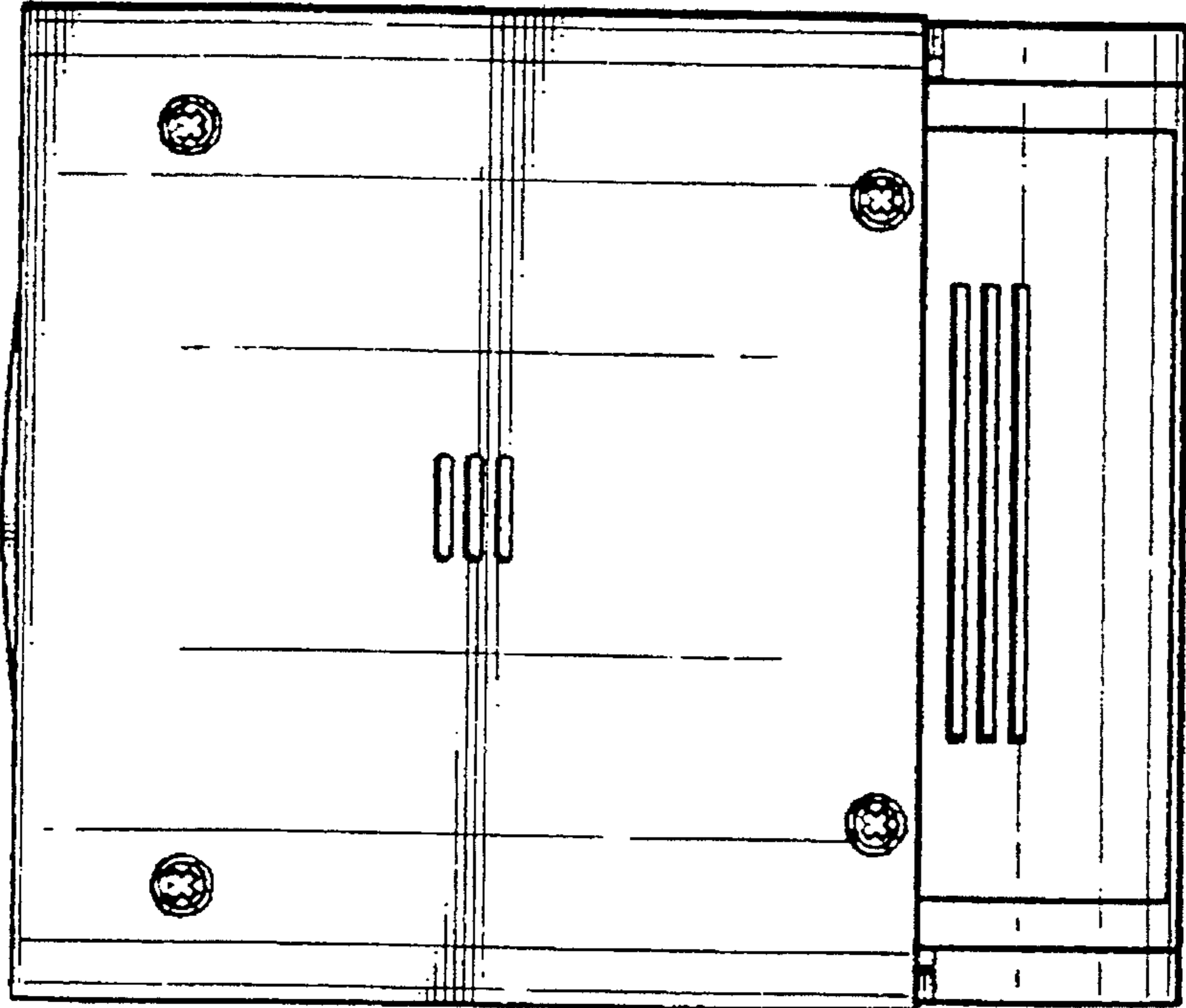


FIG. 8

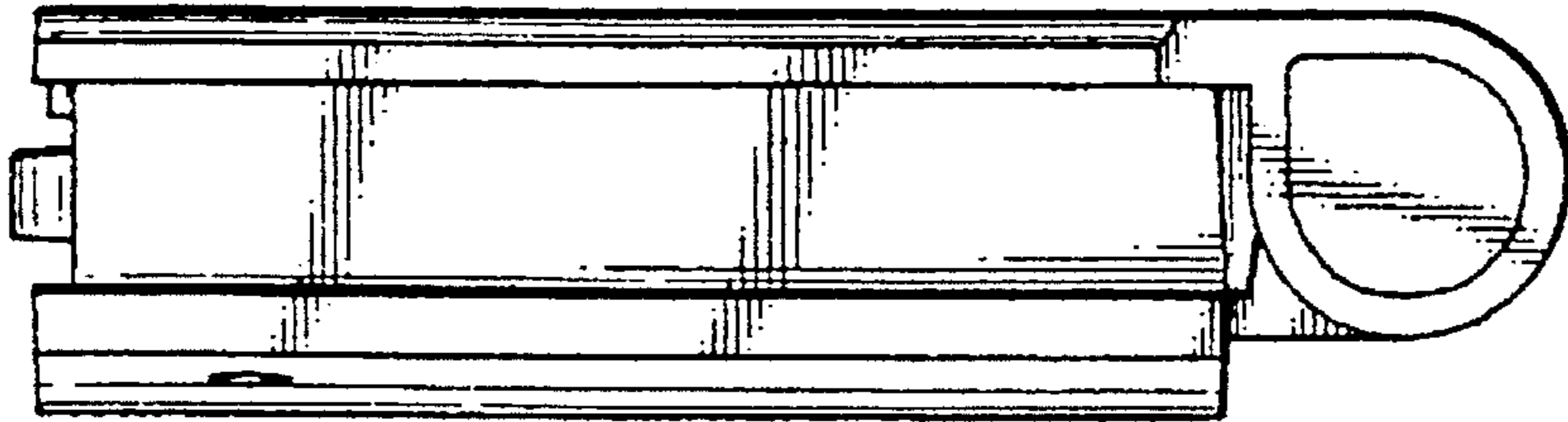


FIG. 9

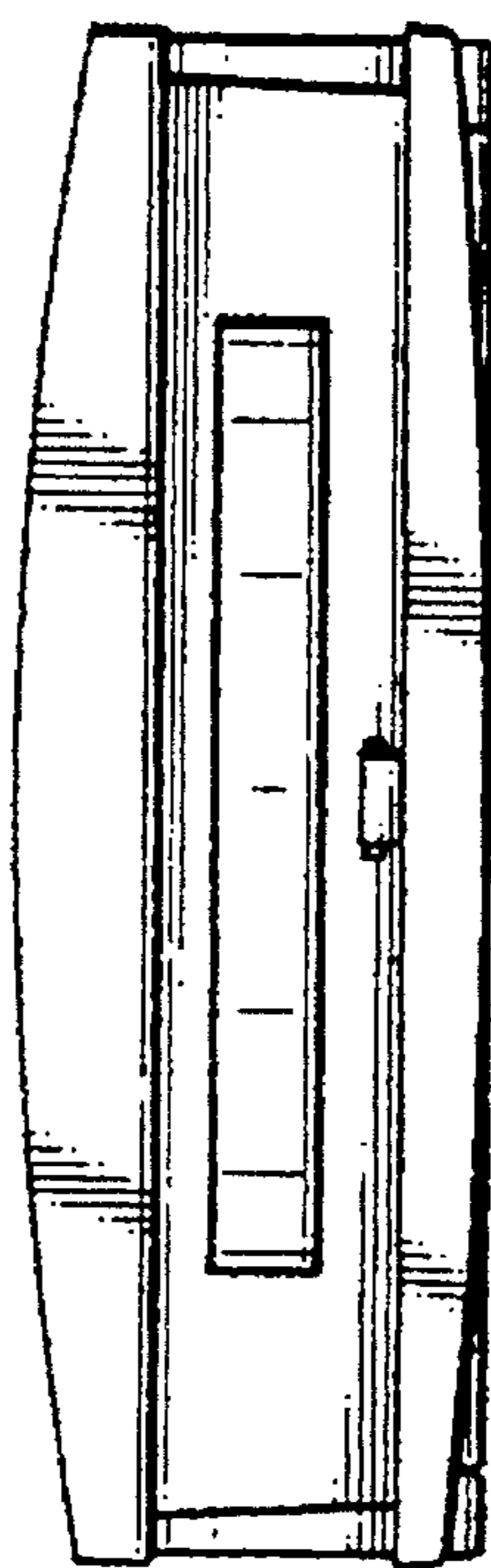


FIG. 10