



US00D375900S

# United States Patent [19] DeVore

[11] Patent Number: **Des. 375,900**  
[45] Date of Patent: **\*\*Nov. 26, 1996**

- [54] **GLASS MILK BOTTLE**
- [75] Inventor: **Dale G. DeVore**, Elmore, Ohio
- [73] Assignee: **Owens-Brockway Glass Container Inc.**, Toledo, Ohio
- [\*\*] Term: **14 Years**
- [21] Appl. No.: **29,988**
- [22] Filed: **Oct. 20, 1994**
- [52] U.S. Cl. .... **D9/563; D9/520; D9/542; D9/571**
- [58] **Field of Search** ..... **D9/563, 571, 560, D9/537-543, 546, 544, 545, 520, 550, 332, 574, 503, 505, 500, 558, 575; 215/1 R, 1 C**

Primary Examiner—Lucy Lieberman

### [57] CLAIM

The ornamental design for a glass milk bottle, as shown and described.

### DESCRIPTION

FIG. 1 is a front elevational view of a glass milk bottle showing my new design, the rear elevational view is the same;

FIG. 2 is a side elevational view taken from the left, the opposite side being the same;

FIG. 3 is a bottom plan view;

FIG. 4 is a top plan view;

FIG. 5 is a sectional view taken along the line 5—5 in FIG. 1;

FIG. 6 is a front elevational view of a modified form of the glass milk bottle, the rear elevational view is the same;

FIG. 7 is a side elevation of FIG. 6, the opposite side elevation is the same;

FIG. 8 is a bottom plan view of FIG. 6;

FIG. 9 is a top plan view of FIG. 6;

FIG. 10 is a cross sectional view taken on line 10—10 in FIG. 6;

FIG. 11 is a fragmentary sectional view taken on line 11—11 in FIG. 6;

FIG. 12 is a cross sectional view of the first embodiment of the glass milk bottle taken on line 12—12 in FIG. 1; and,

FIG. 13 is a cross sectional view of the second embodiment of the glass milk bottle taken on line 13—13 in FIG. 6.

### [56] References Cited

#### U.S. PATENT DOCUMENTS

D. 23,174	4/1894	Lloyd	.....	D9/544
D. 86,928	5/1932	Noble	.....	D9/563
D. 109,518	5/1938	Meier	.....	D9/545
D. 119,303	3/1940	Deletzke	.....	D9/558
D. 310,964	10/1990	Weckman	.....	D9/542

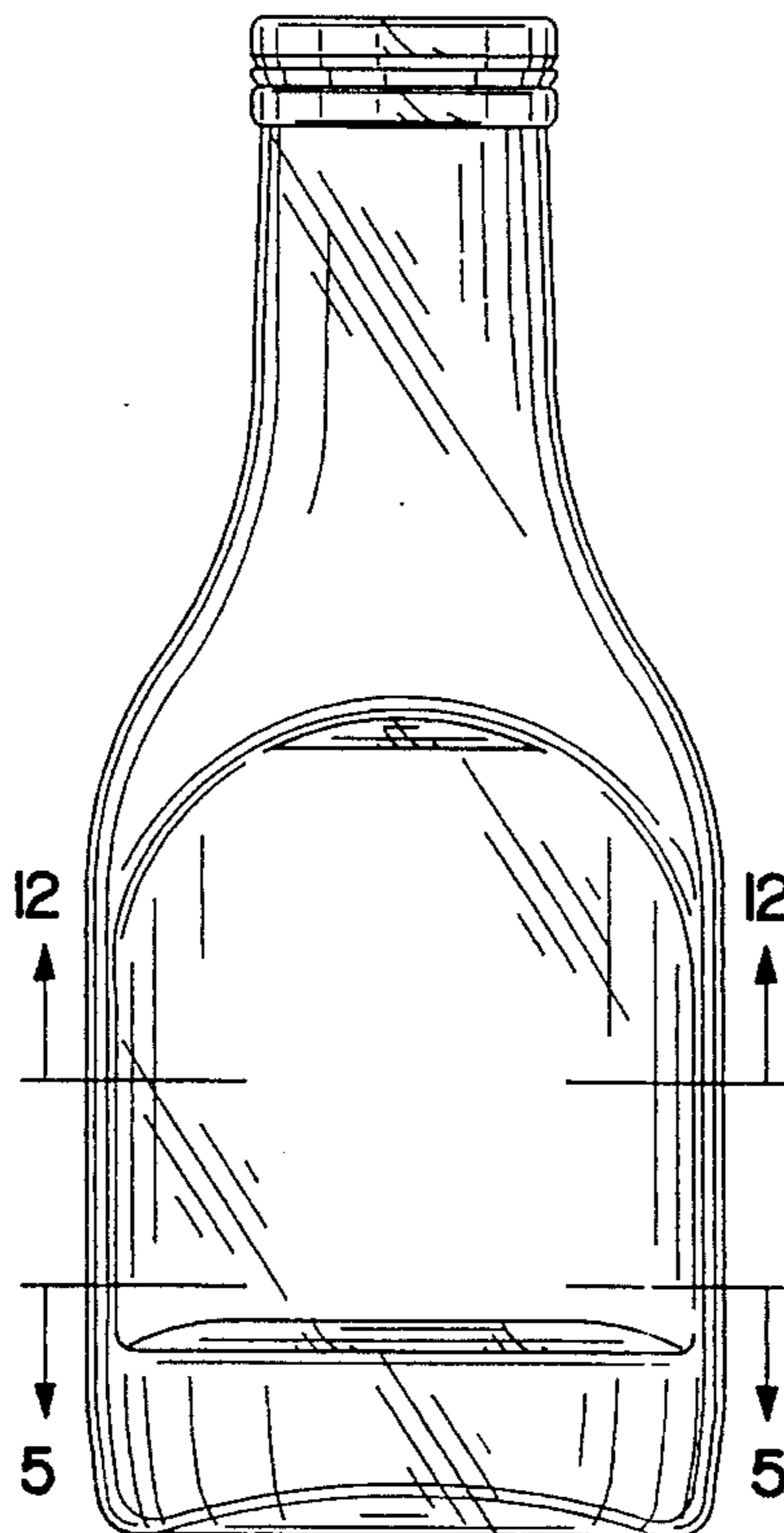
#### OTHER PUBLICATIONS

Owens-Illinois Glass Company Catalog, p. M5, Milk Bottles.

Owens-Illinois Duraglas Dairy Containers Catalog, Bulletin 78, p. 8, Tall Square Milk Bottles.

Owens-Illinois Duraglas Dairy Containers Catalog, Bulletin 78, p. 17, Milk Bottle Item #ML-490.

1 Claim, 4 Drawing Sheets



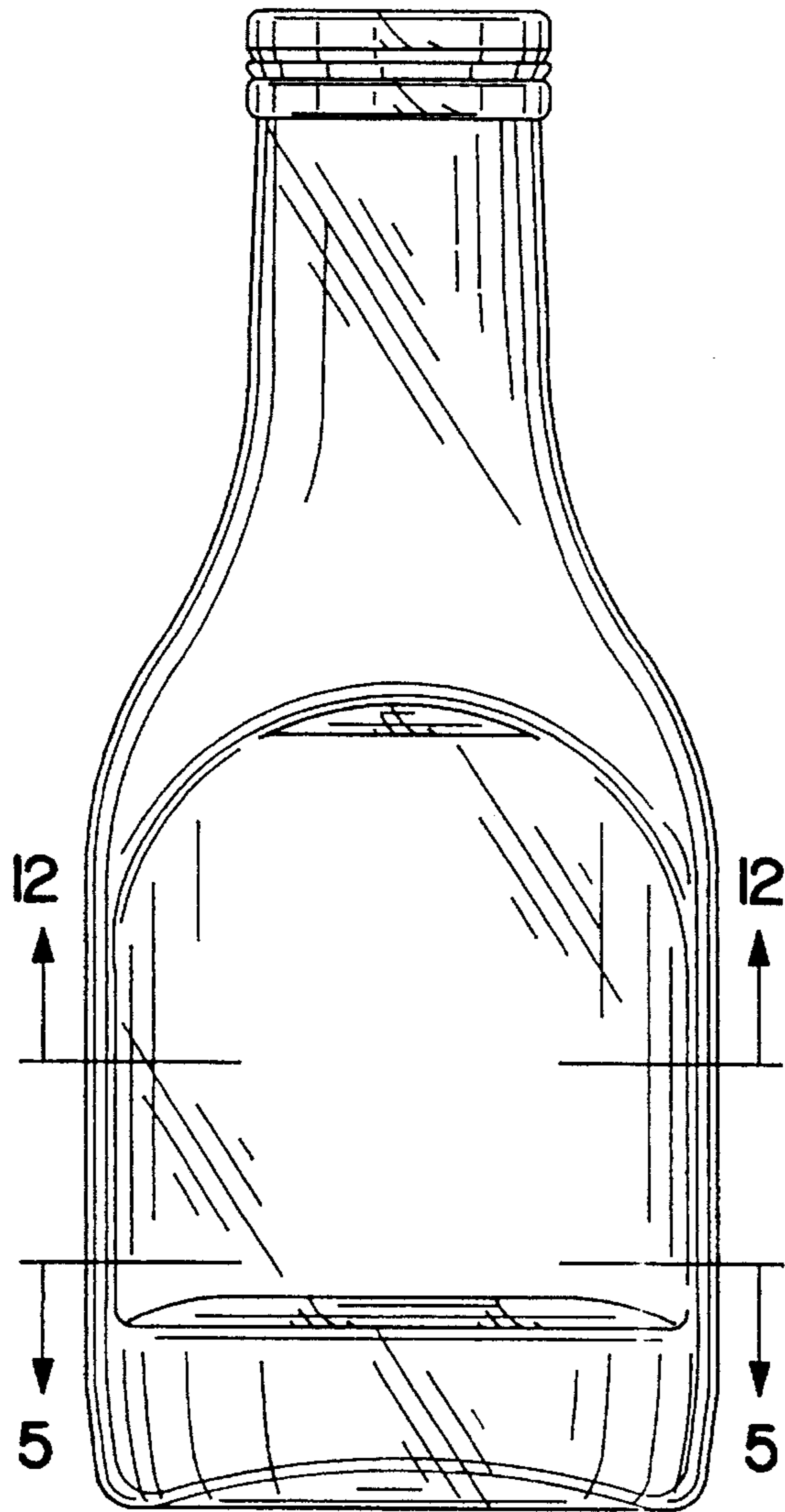


FIG. 1

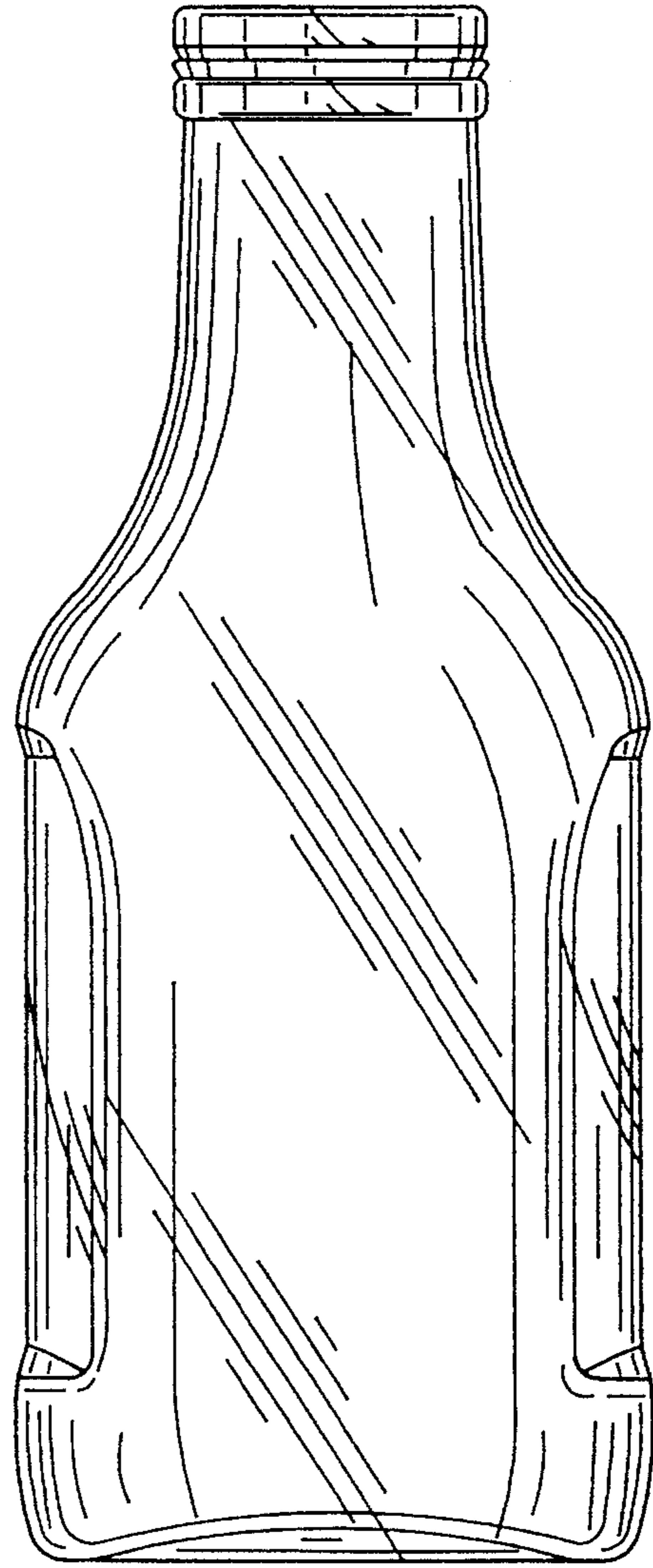


FIG. 2

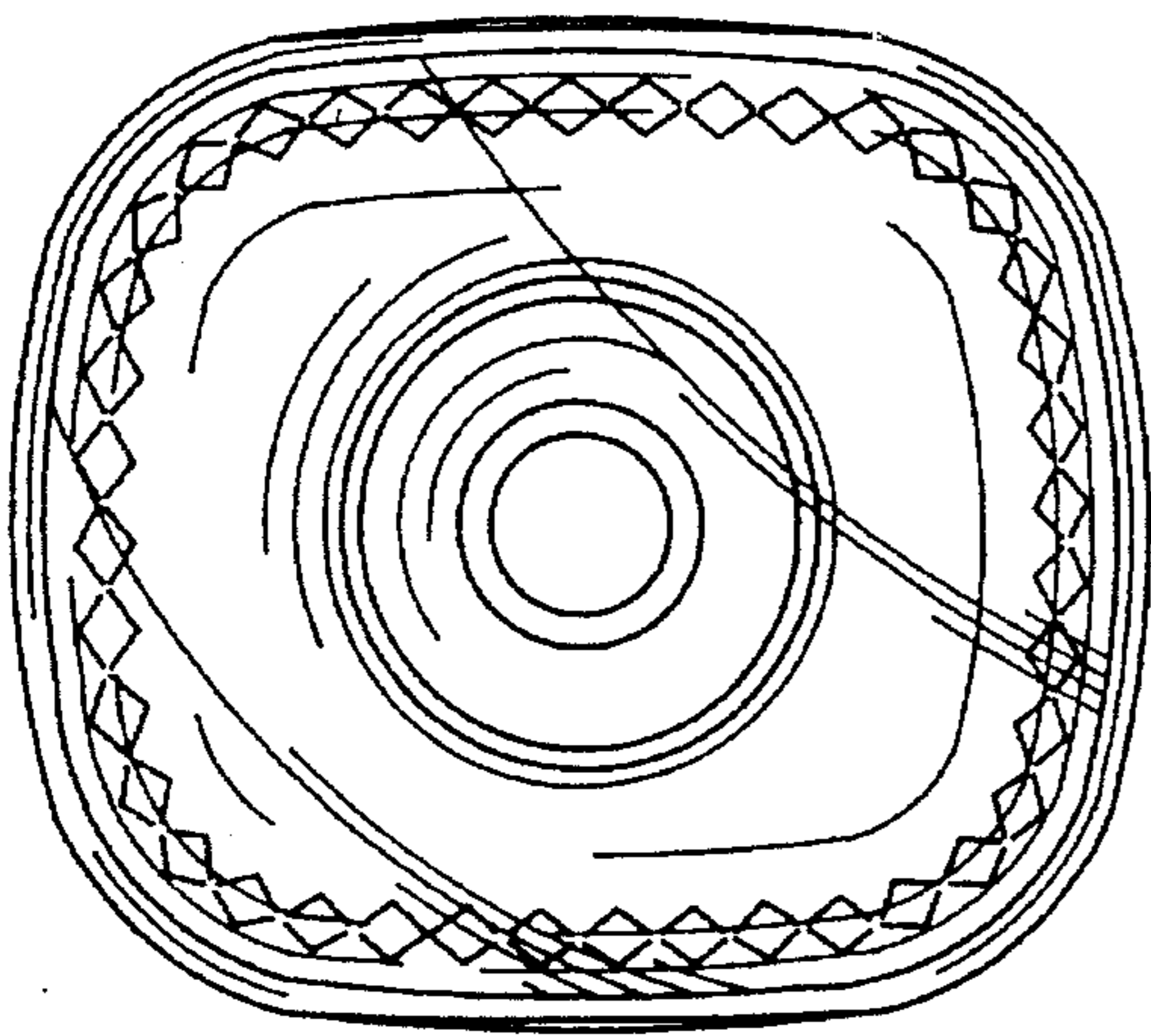


FIG. 3

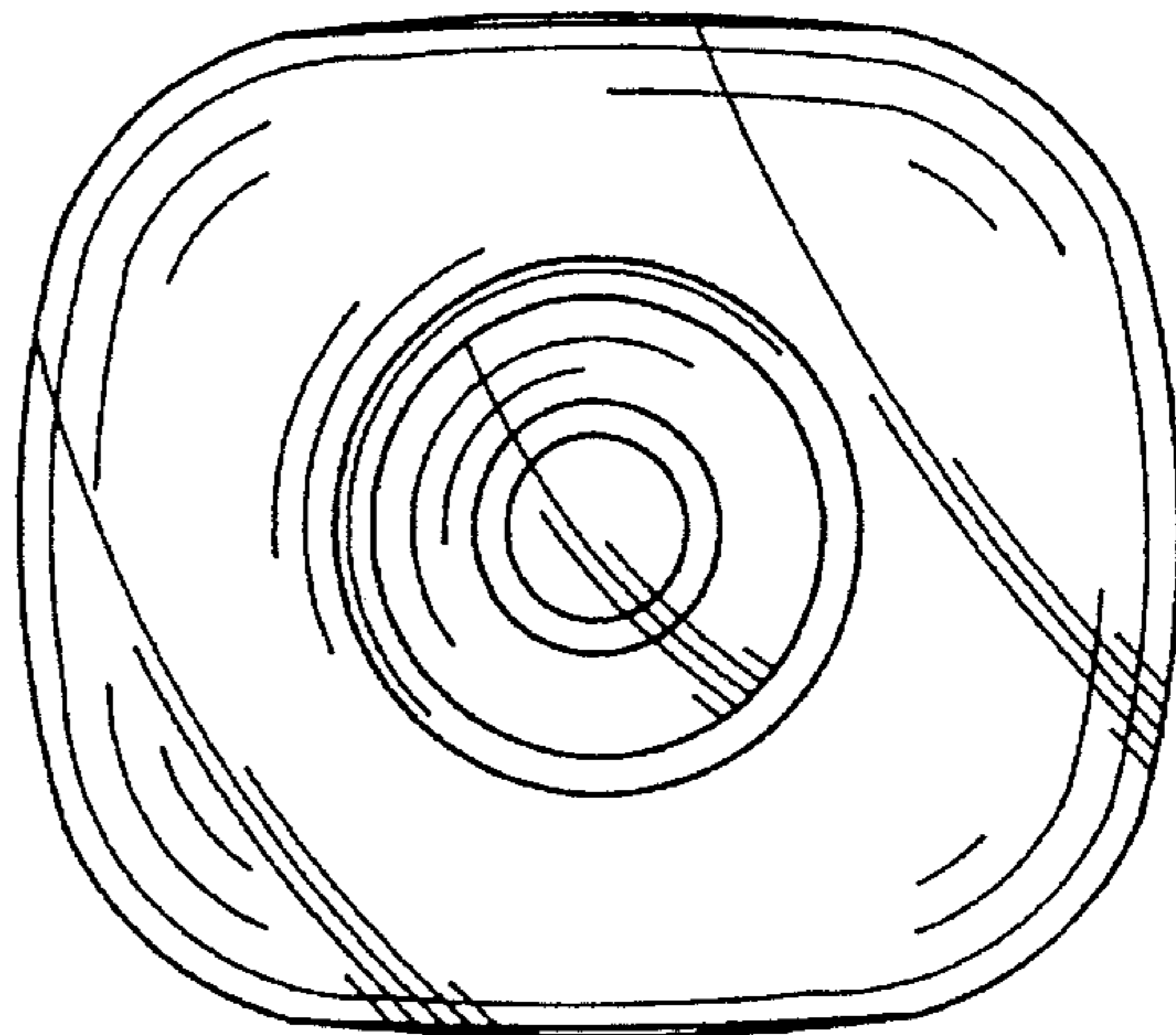


FIG. 4

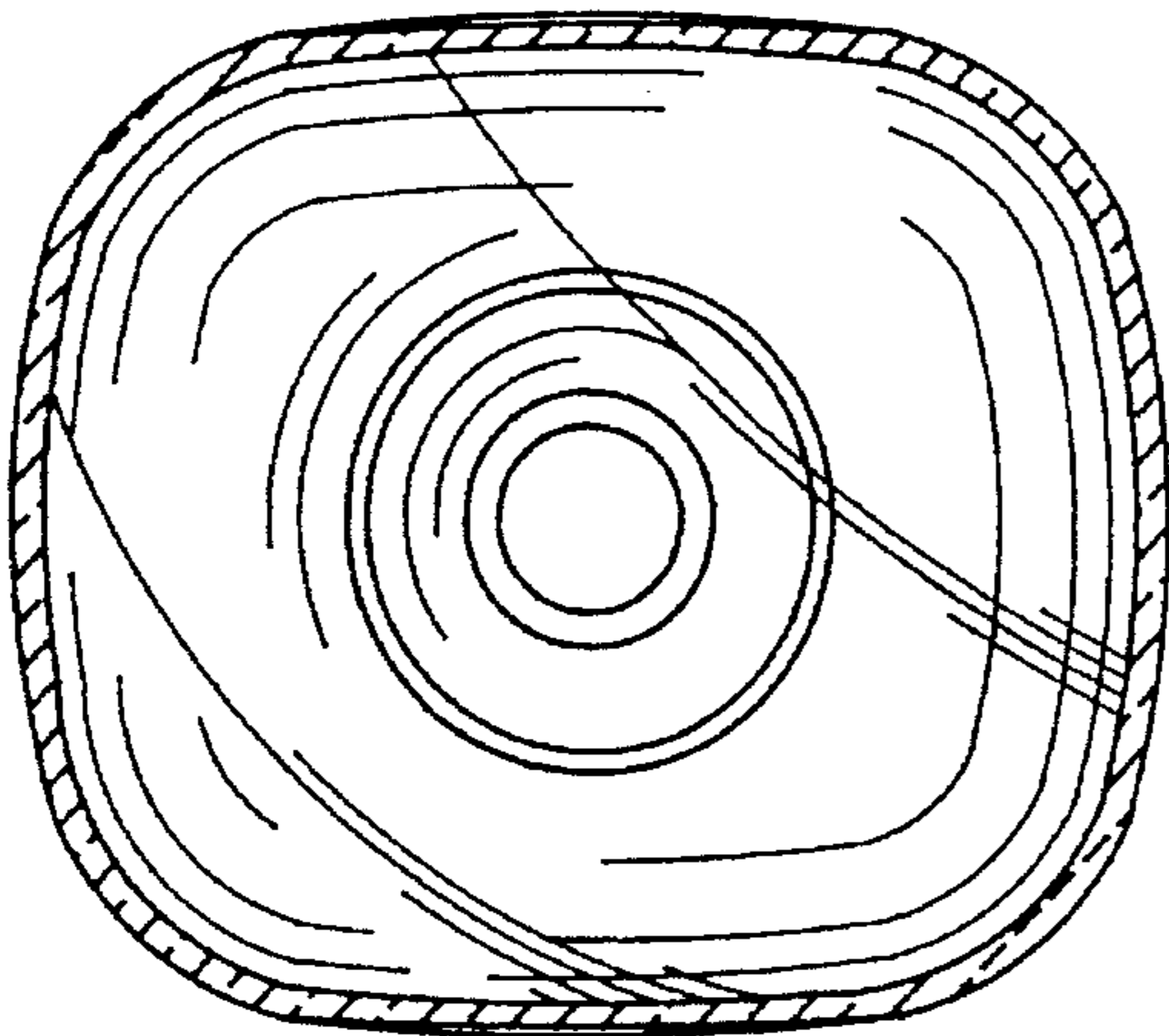


FIG. 5

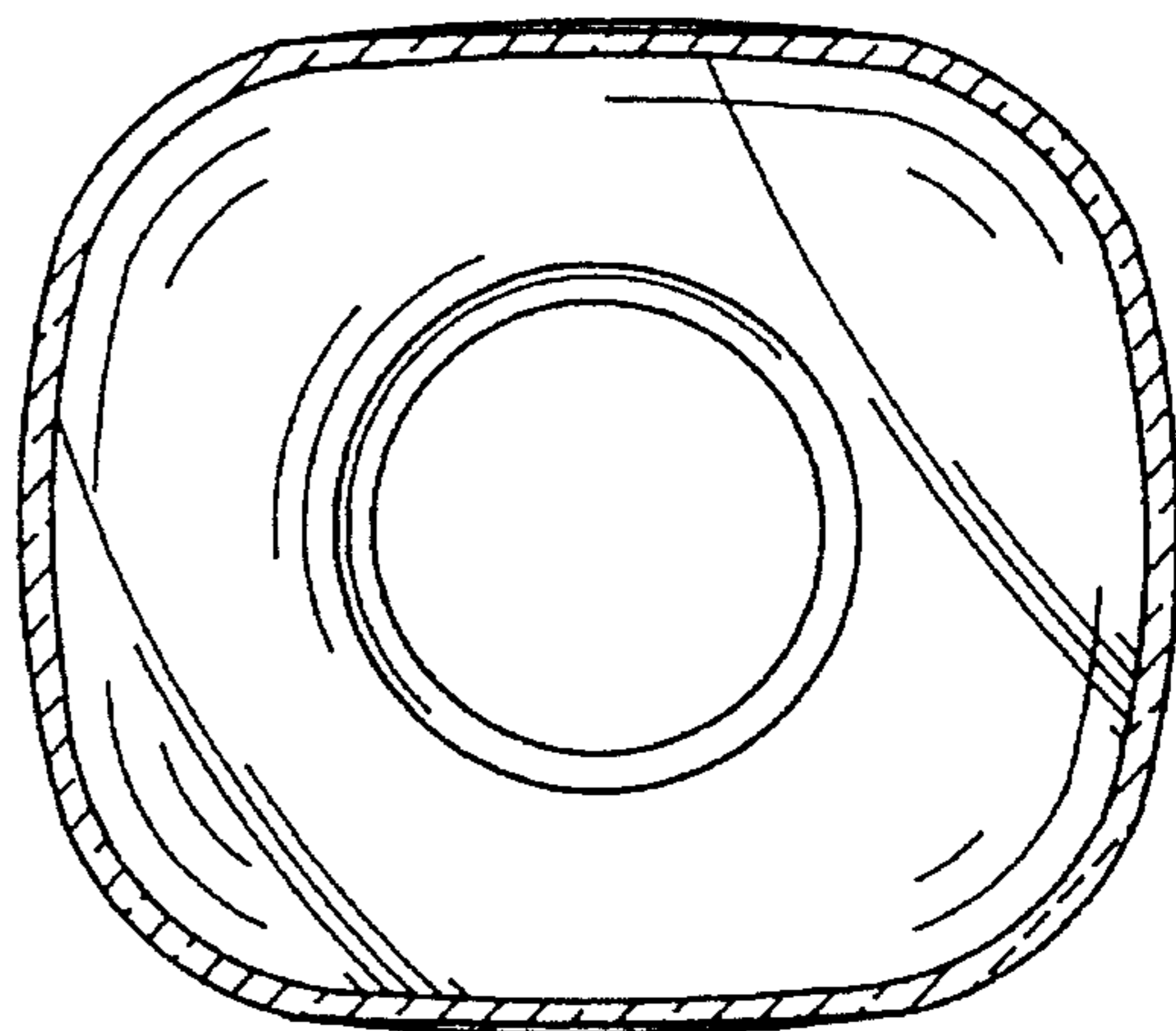


FIG. 12

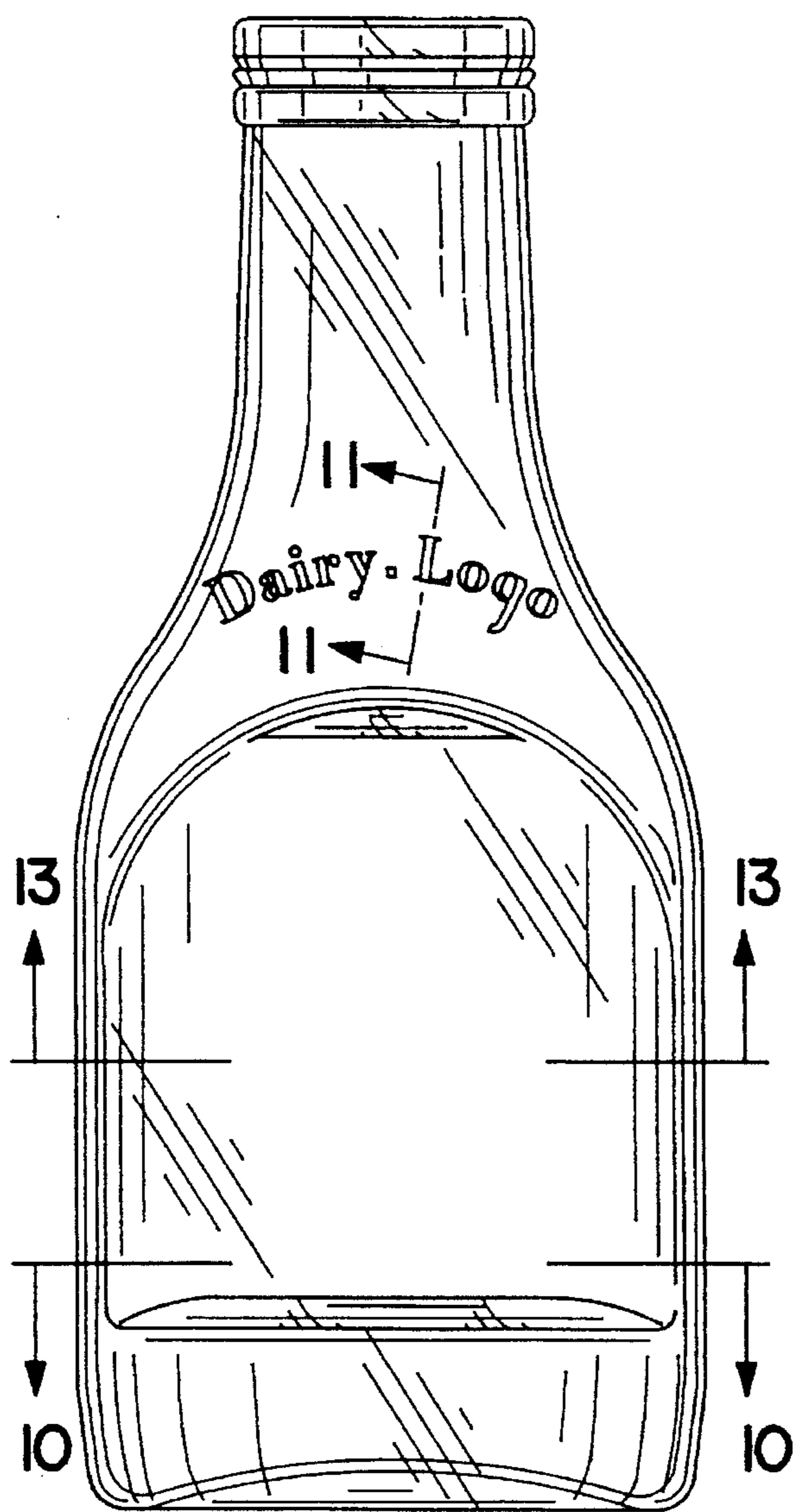


FIG. 6

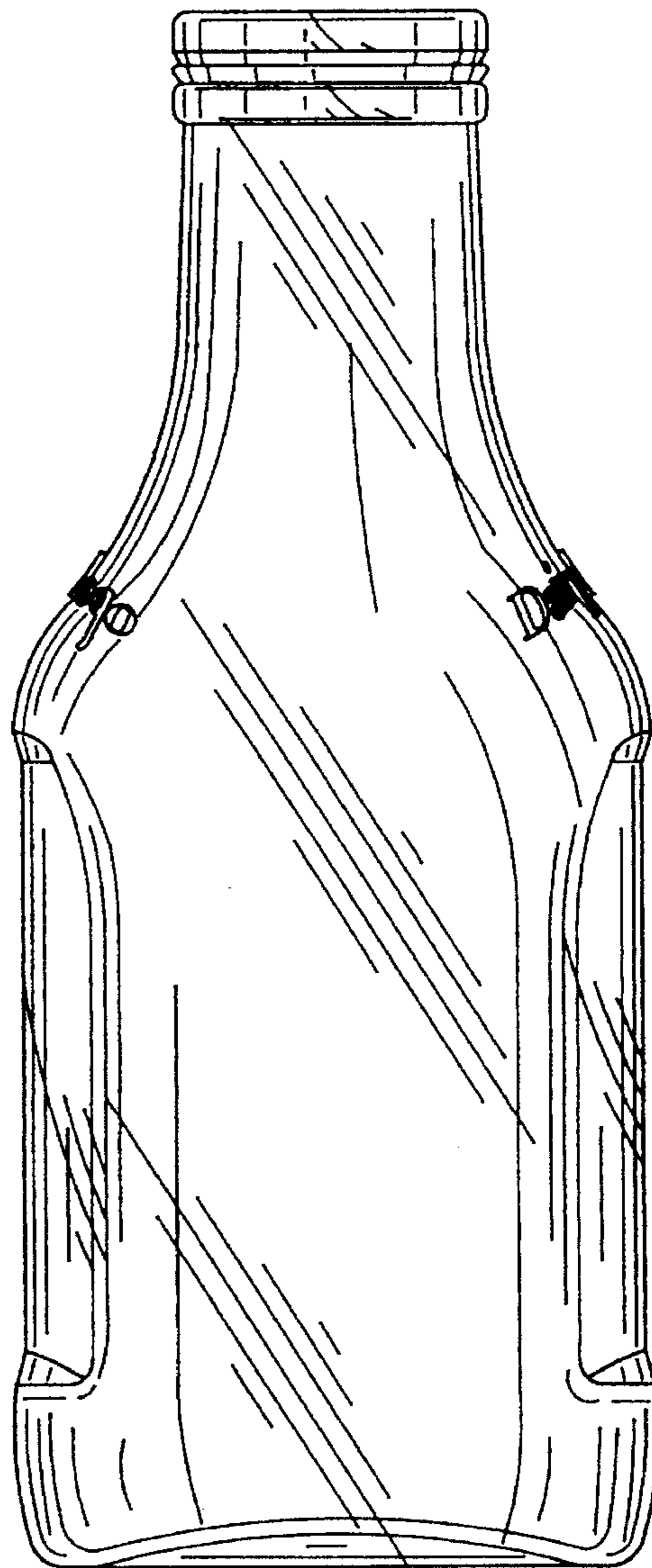


FIG. 7

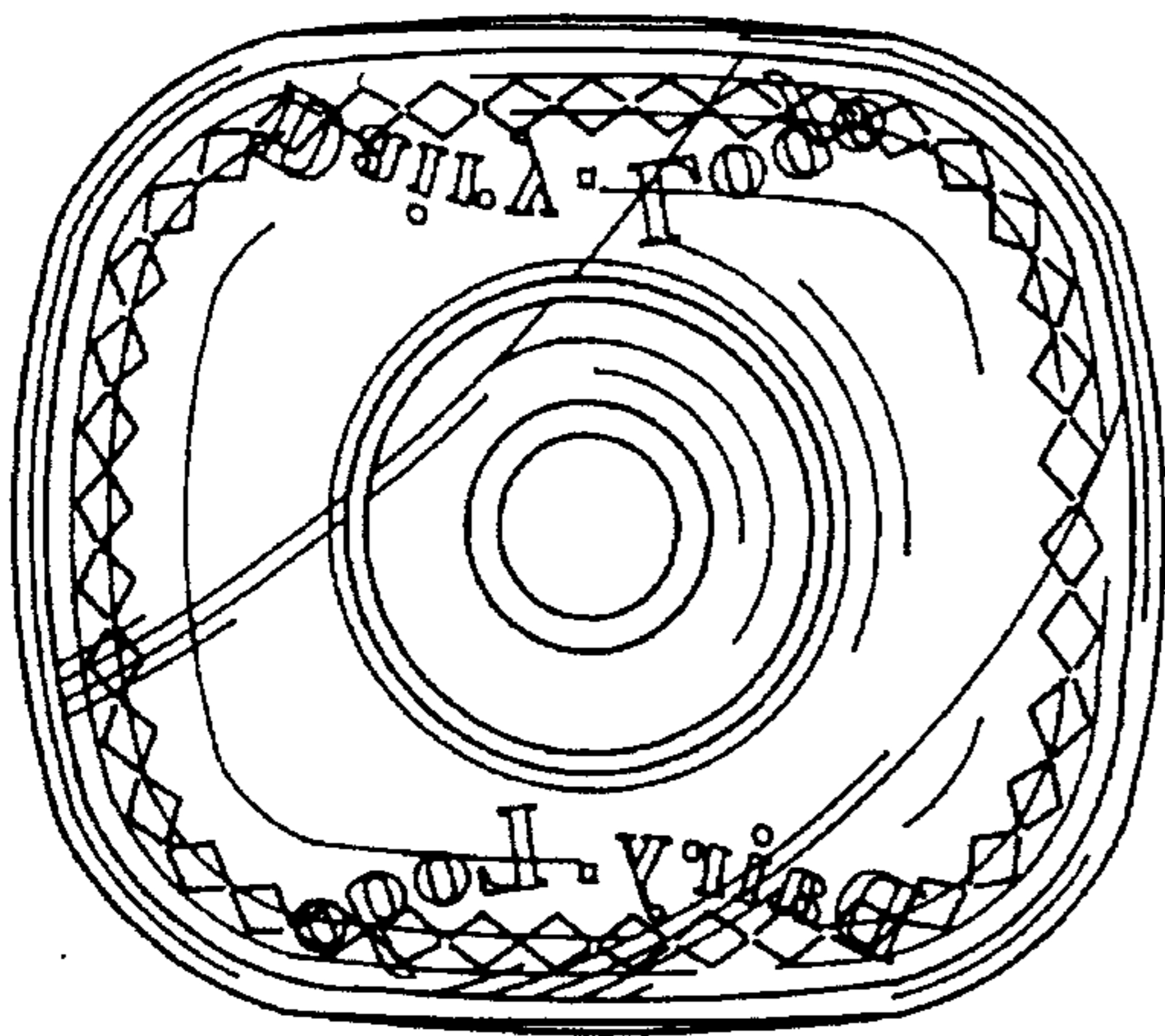


FIG. 8

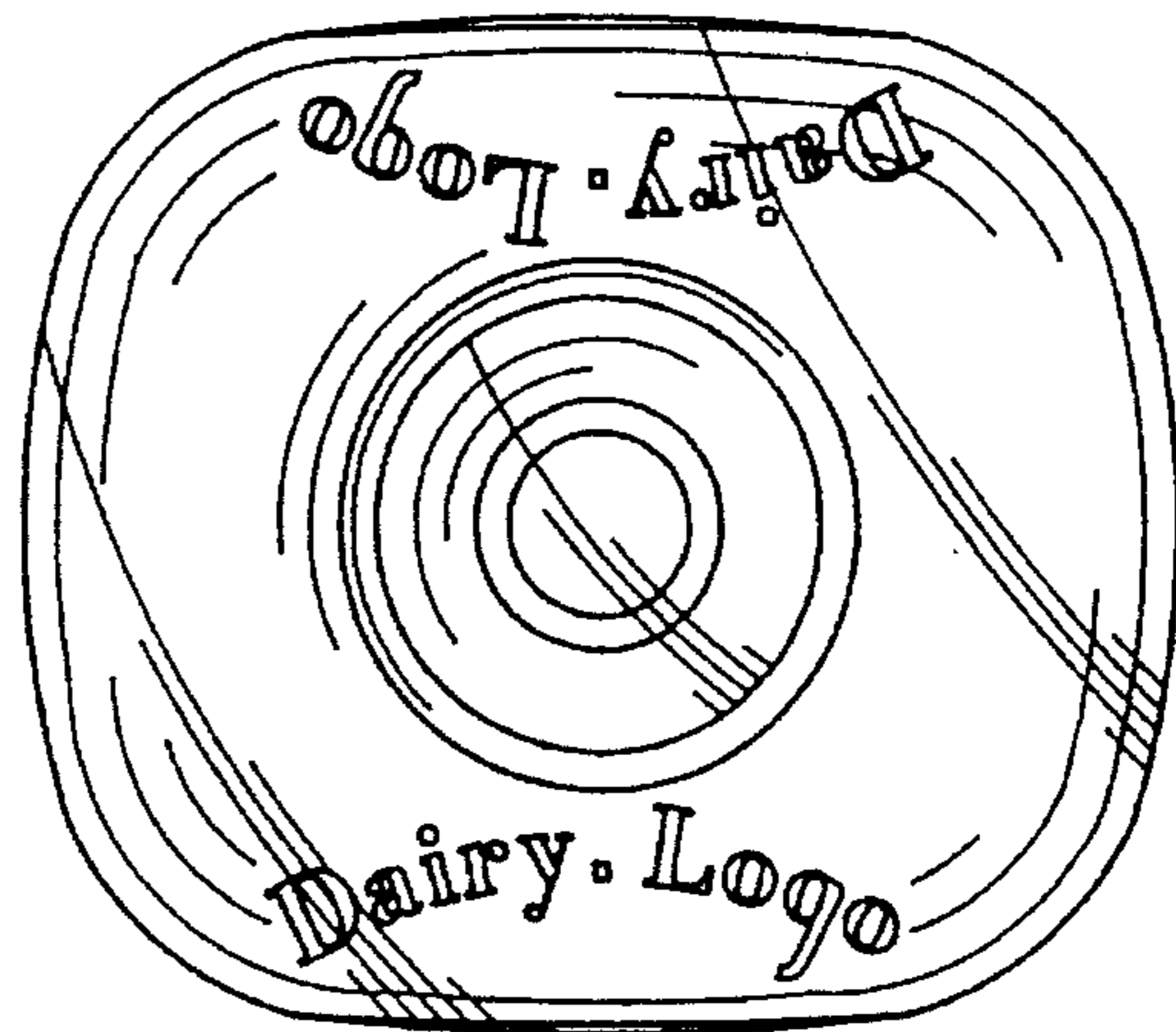


FIG. 9

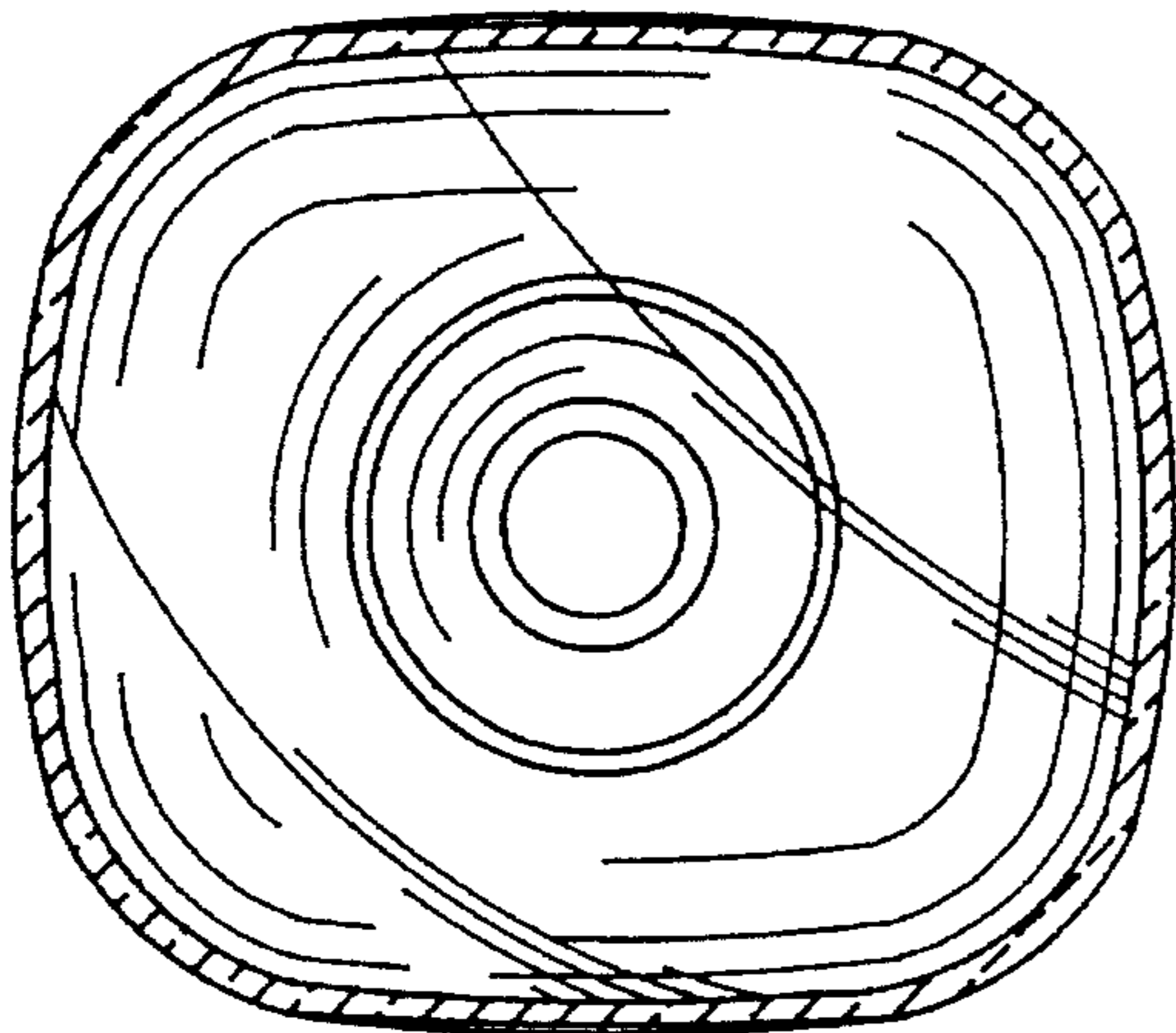


FIG. 10



FIG. 11

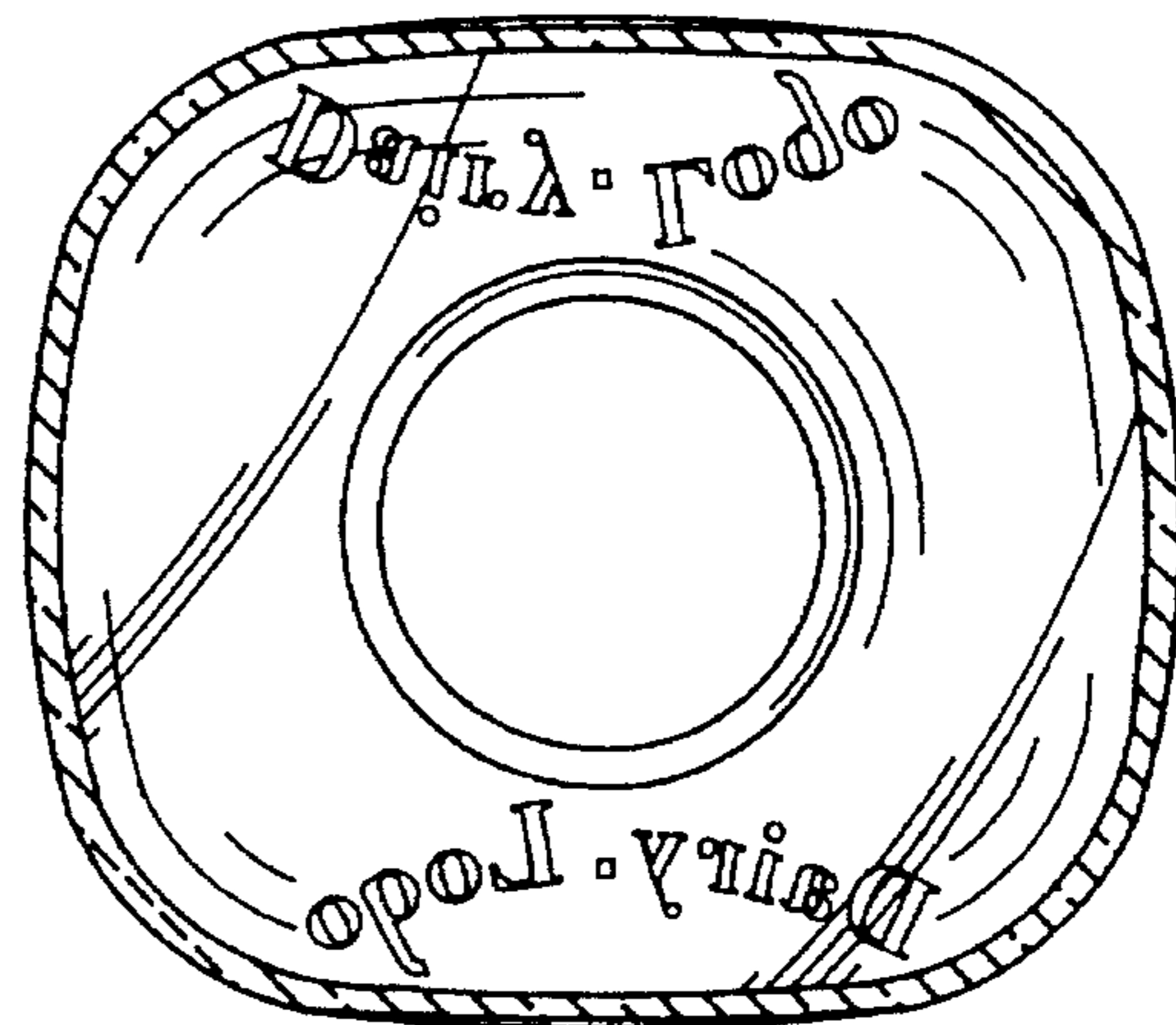


FIG. 13