



US00D375895S

United States Patent [19]

[11] Patent Number: **Des. 375,895**

Miller

[45] Date of Patent: ****Nov. 26, 1996**

[54] COMBINED BOTTLE AND CAP

[75] Inventor: **Anelle Miller**, New York, N.Y.

[73] Assignee: **Origins Natural Resources Inc.**, New York, N.Y.

[**] Term: **14 Years**

[21] Appl. No.: **44,668**

[22] Filed: **Sep. 28, 1995**

[52] U.S. Cl. **D9/300**; D9/503; D9/545

[58] Field of Search D9/300, 337, 500, D9/503, 504, 529, 530, 545, 572-575, 549, 445, 447, 448; D28/76, 91.1, 77, 5; 239/333, 337; 215/371, 382; 222/182, 321.7, 321.9

[56] References Cited

U.S. PATENT DOCUMENTS

| | | | |
|------------|---------|---------------|-------------|
| D. 136,501 | 10/1943 | Habif | D9/503 |
| D. 354,228 | 1/1995 | Boisset | D9/503 |
| D. 354,443 | 1/1995 | Granai | D9/300 X |
| 4,322,020 | 3/1982 | Stone | 222/321.7 X |

OTHER PUBLICATIONS

Spray Technology & Marketing, Aug. 1992, p. 36, Society Perfume by Burberry.

Primary Examiner—Prabhakar G. Deshmukh
Assistant Examiner—Cheri Cohen
Attorney, Agent, or Firm—Fulbright & Jaworski LLP

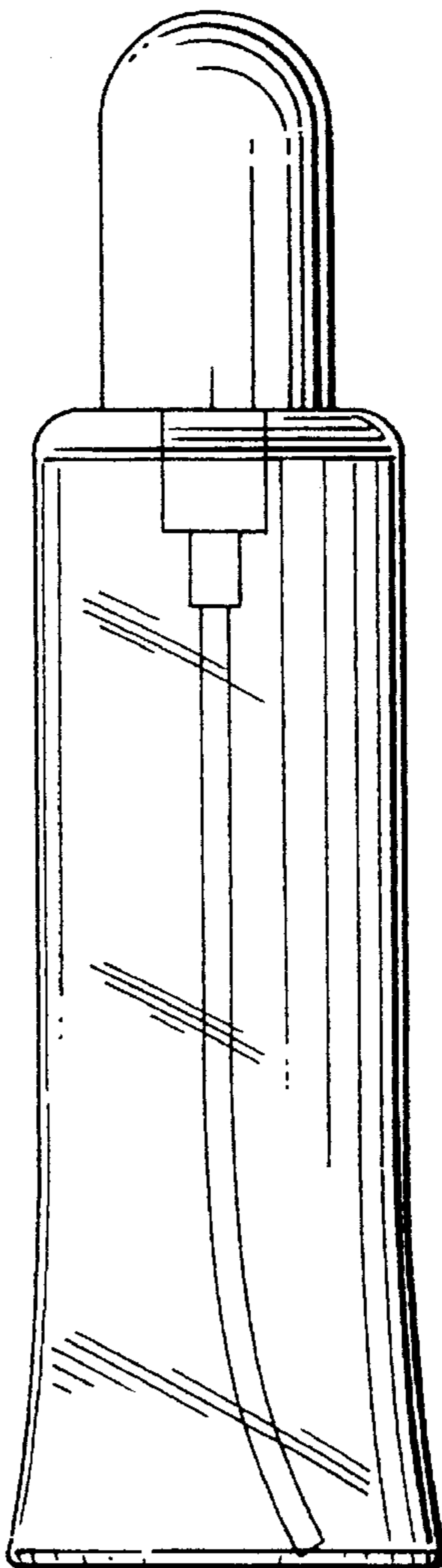
[57] CLAIM

The ornamental design for a combined bottle and cap, as shown and described.

DESCRIPTION

FIG. 1 is a front elevation view of a combined bottle and cap showing my new design;
FIG. 2 is a top perspective view thereof;
FIG. 3 is a bottom perspective view thereof;
FIG. 4 is a top plan view thereof;
FIG. 5 is a bottom plan view thereof;
FIG. 6 is a front elevation view shown with the cap removed for clarity of illustration; and,
FIG. 7 is a top perspective view thereof.

1 Claim, 3 Drawing Sheets



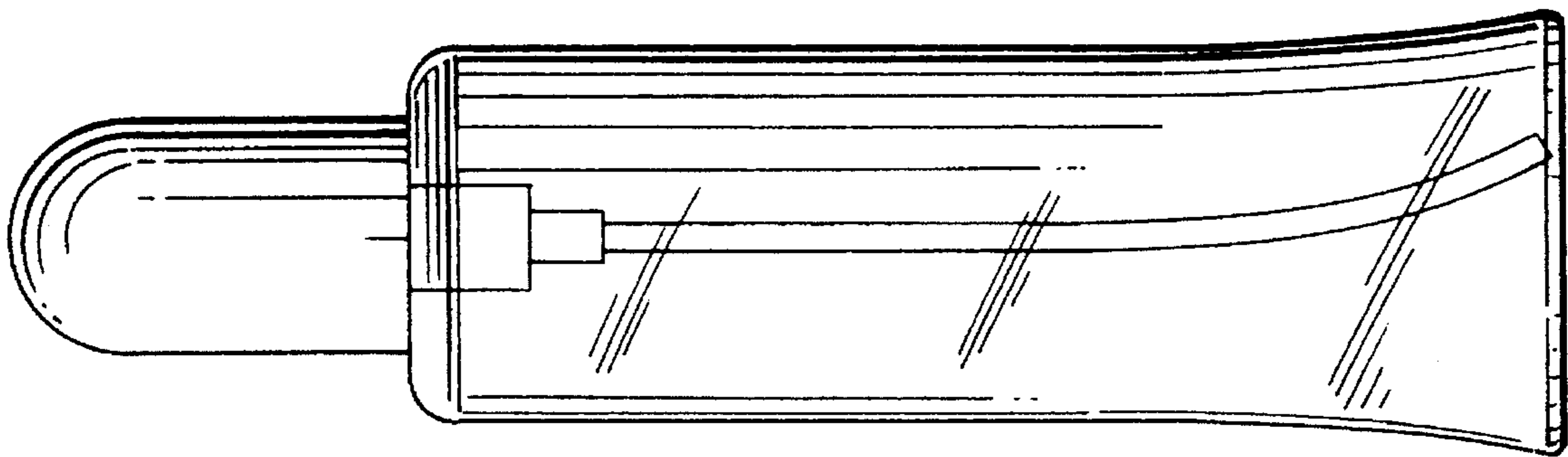


Fig. 1

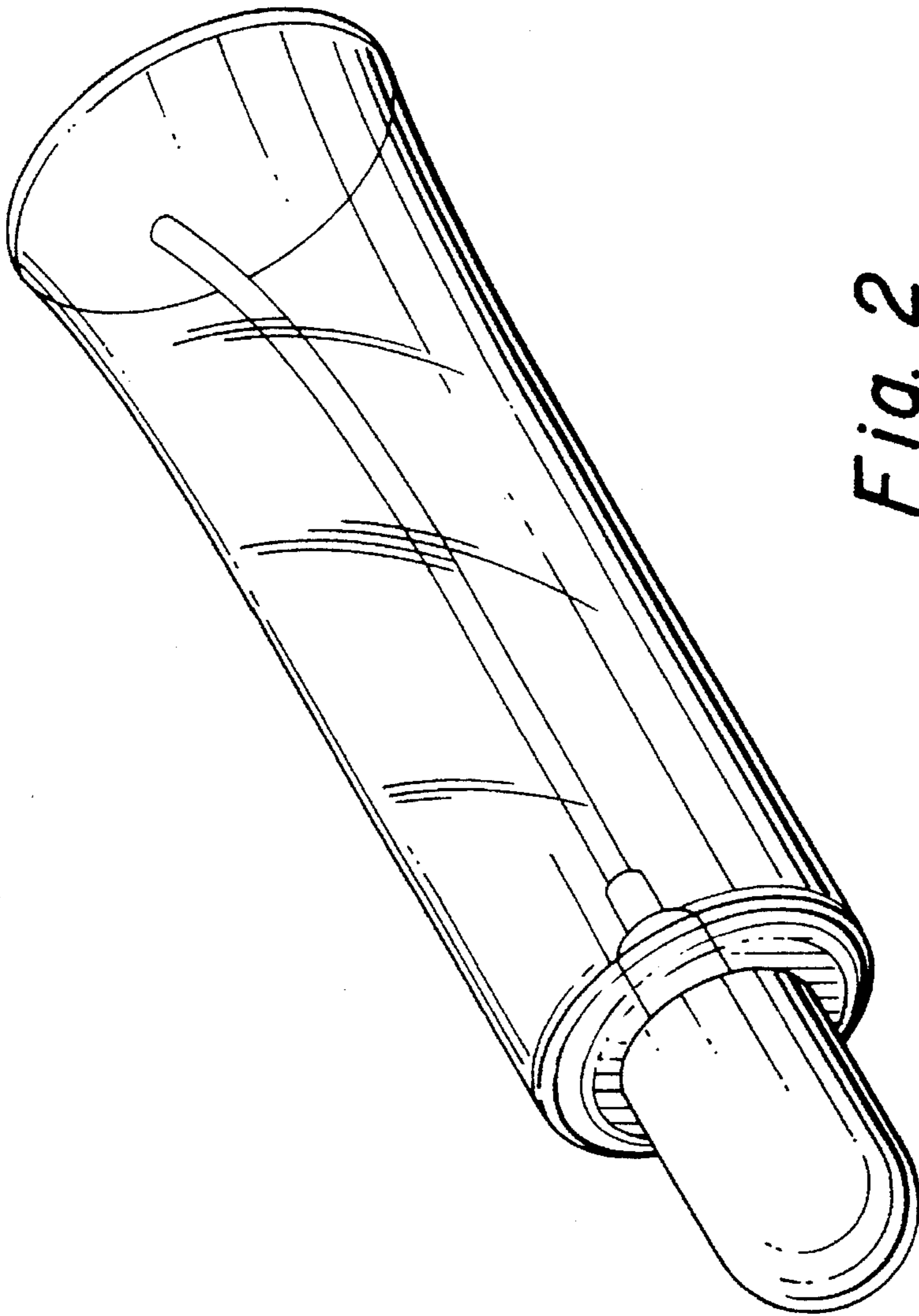


Fig. 2

Fig. 3

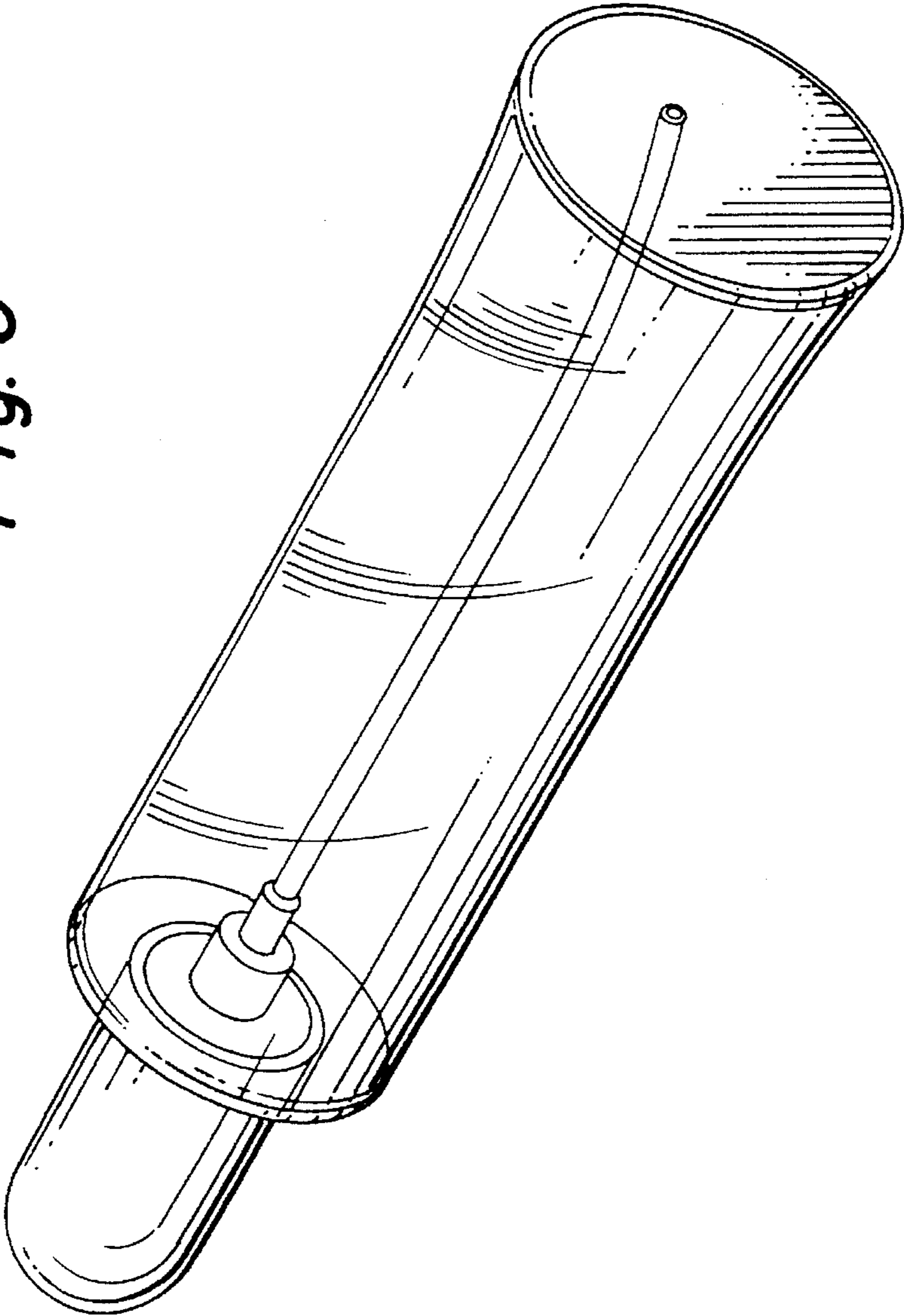


Fig. 4

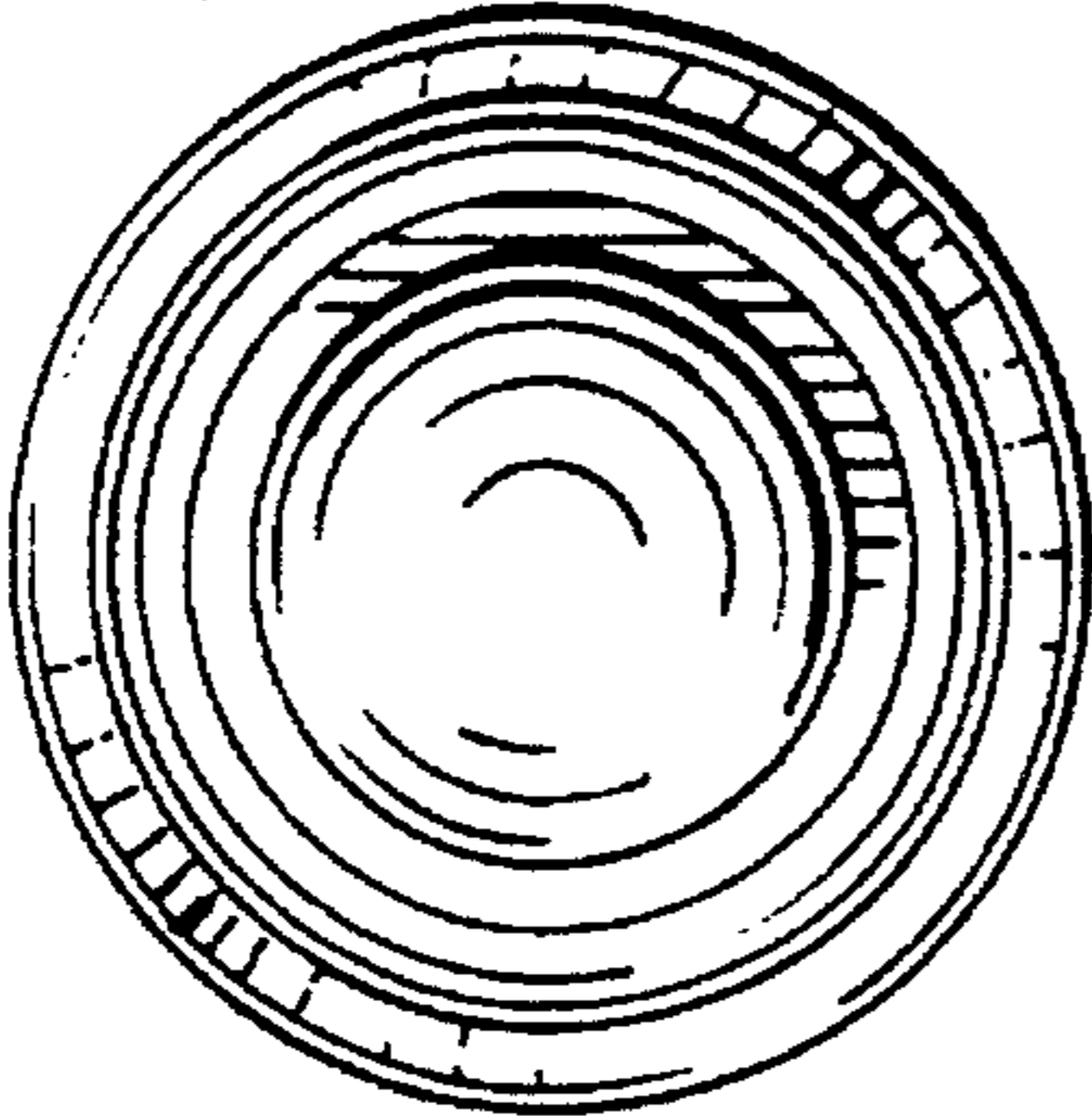


Fig. 5

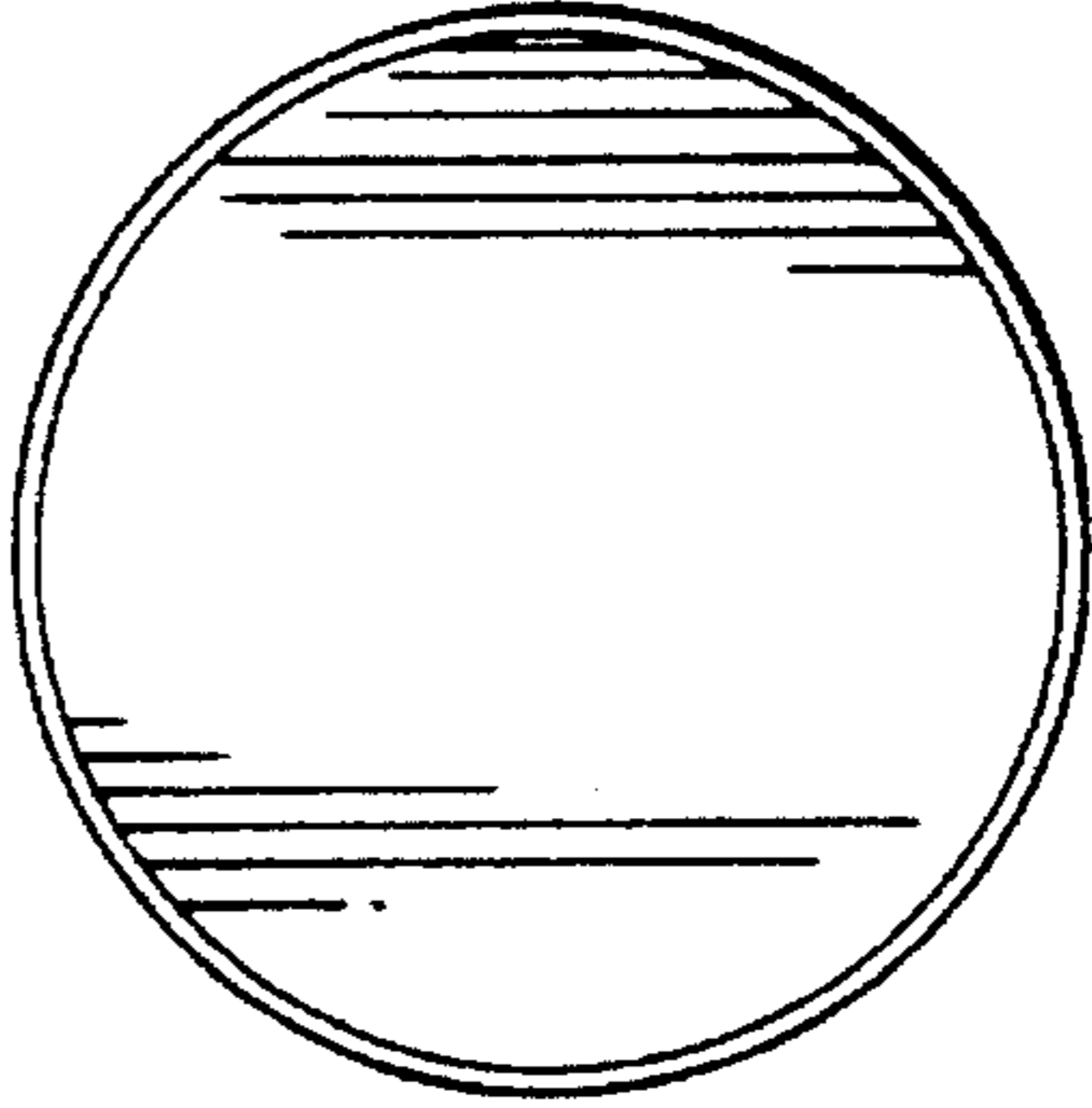


Fig. 6

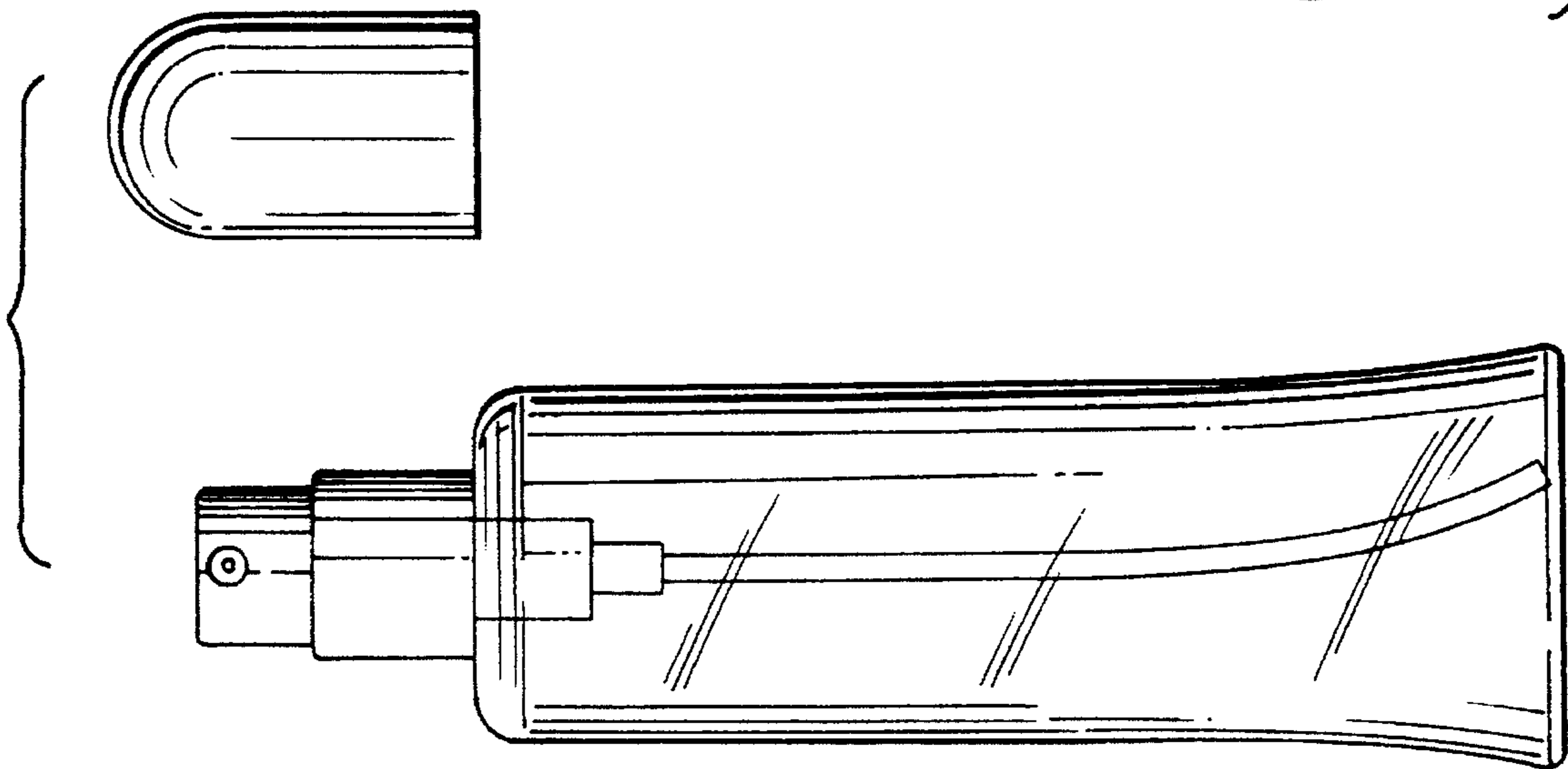


Fig. 7

