



US00D375889S

**United States Patent** [19]

[11] **Patent Number: Des. 375,889**

**Miller et al.**

[45] **Date of Patent: \*\*Nov. 26, 1996**

[54] **CHRISTMAS ORNAMENT SWIVEL**

4,064,604	12/1977	Hartman	24/236
4,174,087	11/1979	Gaines	248/339
4,594,018	6/1986	Larsson et al.	403/43
4,617,704	10/1986	Kasai	24/236
4,665,592	5/1987	Kasai	24/236
4,689,860	9/1987	Suchowski	24/239

[76] Inventors: **Debra L. Miller; Rosella L. Miller,**  
both of 3010 N. 5th St., Coeur d'Alene,  
Id. 83814

[\*\*] Term: **14 Years**

*Primary Examiner*—Holly H. Baynham  
*Attorney, Agent, or Firm*—Wells, St. John, Roberts, Gregory  
& Matkin P.S.

[21] Appl. No.: **48,459**

[22] Filed: **Dec. 29, 1995**

[52] **U.S. Cl.** ..... **D8/367; D8/373**

[57] **CLAIM**

[58] **Field of Search** ..... **D8/367, 373; 248/317,**  
**248/301, 304, 339; 24/375-376**

The ornamental design for a Christmas ornament swivel, as shown and described.

[56] **References Cited**

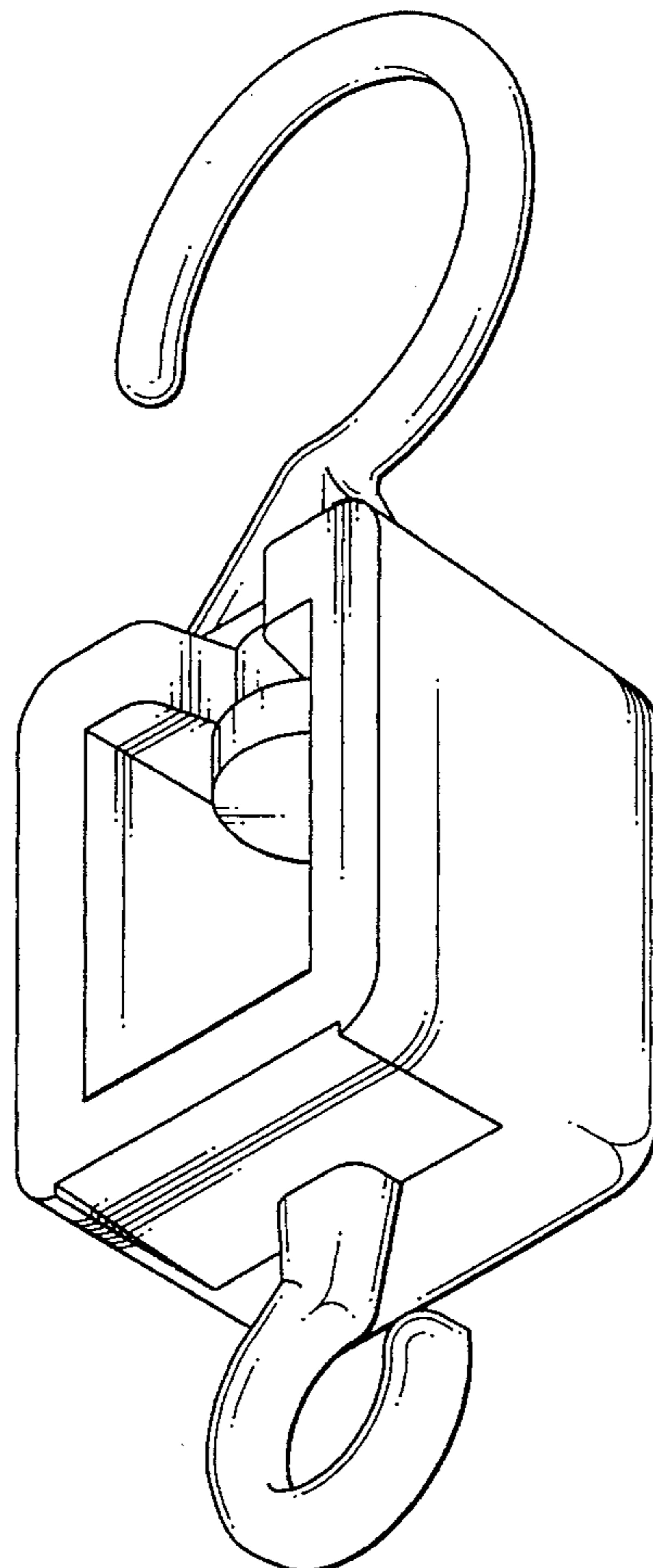
**DESCRIPTION**

**U.S. PATENT DOCUMENTS**

D. 249,226	9/1978	Hills et al.	D8/367
D. 249,327	9/1978	Gaines	D8/367
D. 250,453	12/1978	Horwitz	D8/367
D. 250,742	1/1979	Wendler	
D. 293,281	12/1987	White	D8/373
D. 308,471	6/1990	Murai	D8/367
D. 328,562	8/1992	Lin	D8/367 X
D. 328,563	8/1992	Lin	D8/367 X
911,508	2/1909	Look	248/304
3,815,184	6/1974	Hopp	24/239
3,973,301	8/1976	Buhr	24/239
3,995,822	12/1976	Einhorn et al.	248/304

FIG. 1 is a perspective view of a Christmas ornament swivel showing our new design;  
FIG. 2 is a rear elevation view thereof;  
FIG. 3 is a front side elevation view thereof;  
FIG. 4 is a side elevation view thereof as seen from the left in FIG. 1;  
FIG. 5 is a side elevation view thereof as seen from the right in FIG. 1;  
FIG. 6 is a bottom plan view thereof; and,  
FIG. 7 is a top plan view thereof.

**1 Claim, 4 Drawing Sheets**



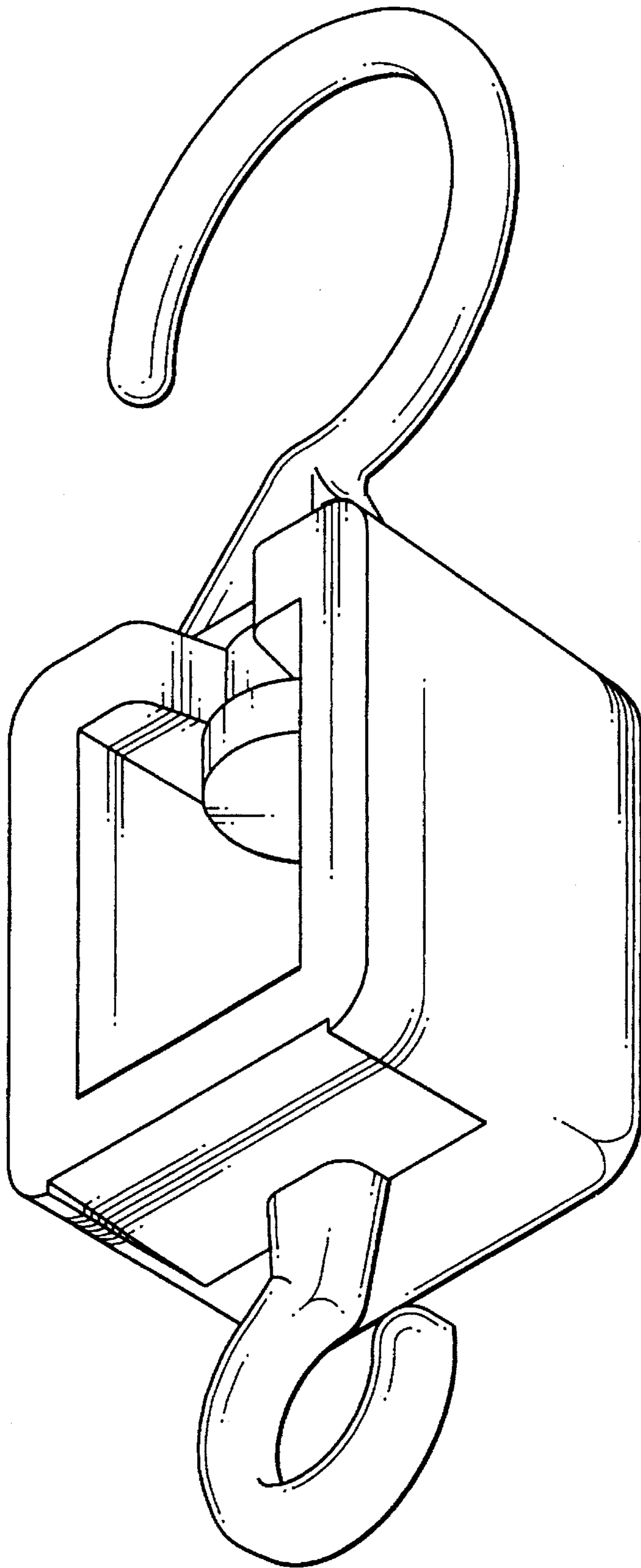
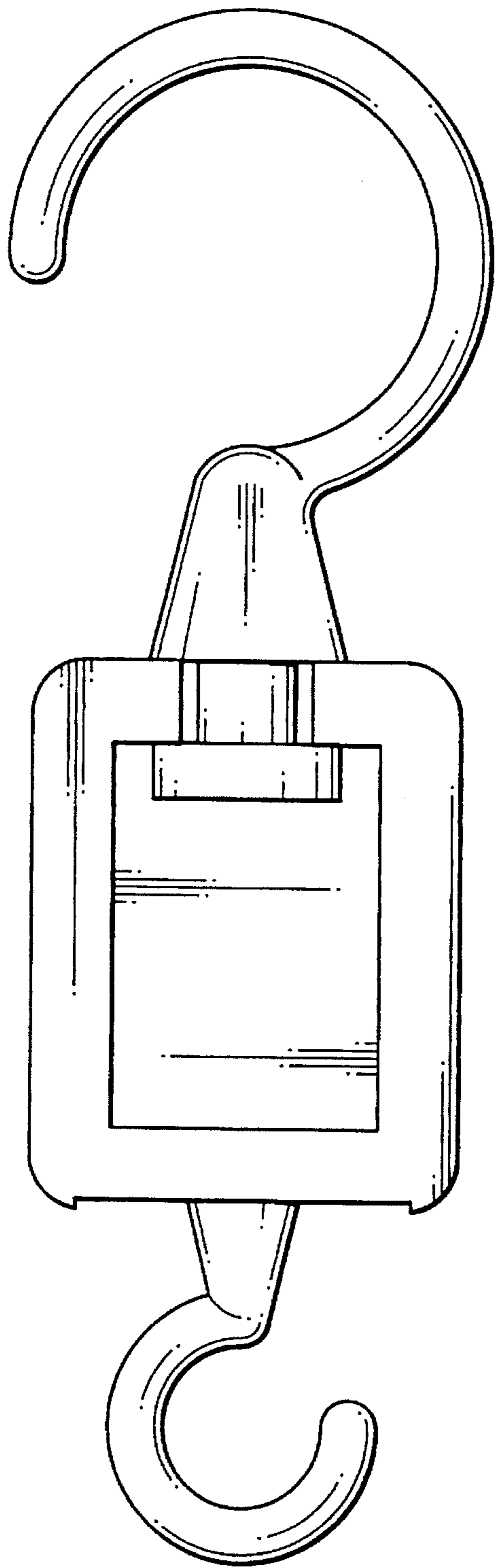
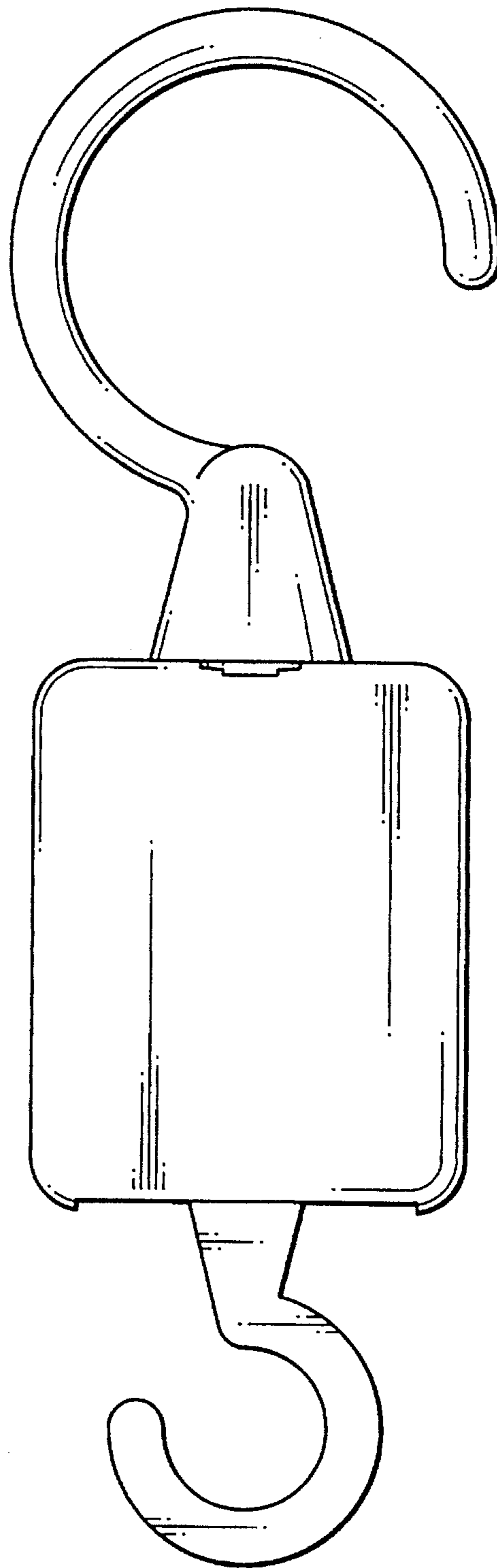


FIG. 1



*Fig. 2*



*Fig. 3*

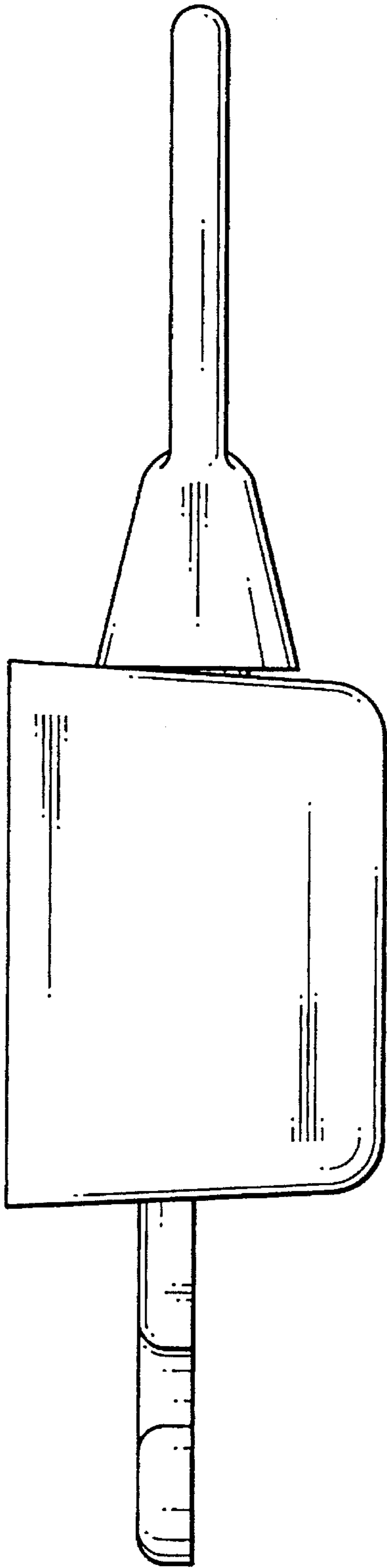


Fig. 4

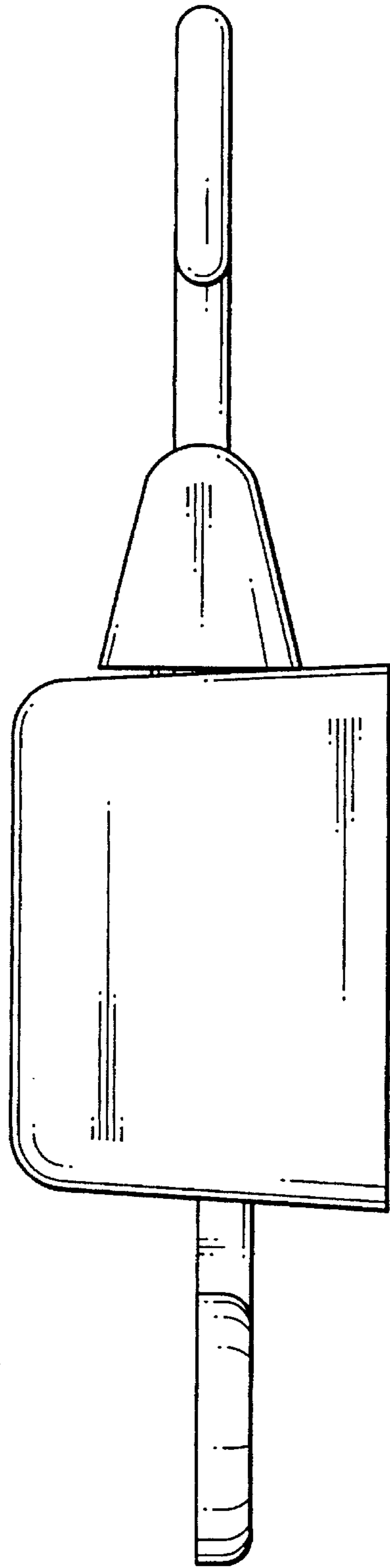


Fig. 5

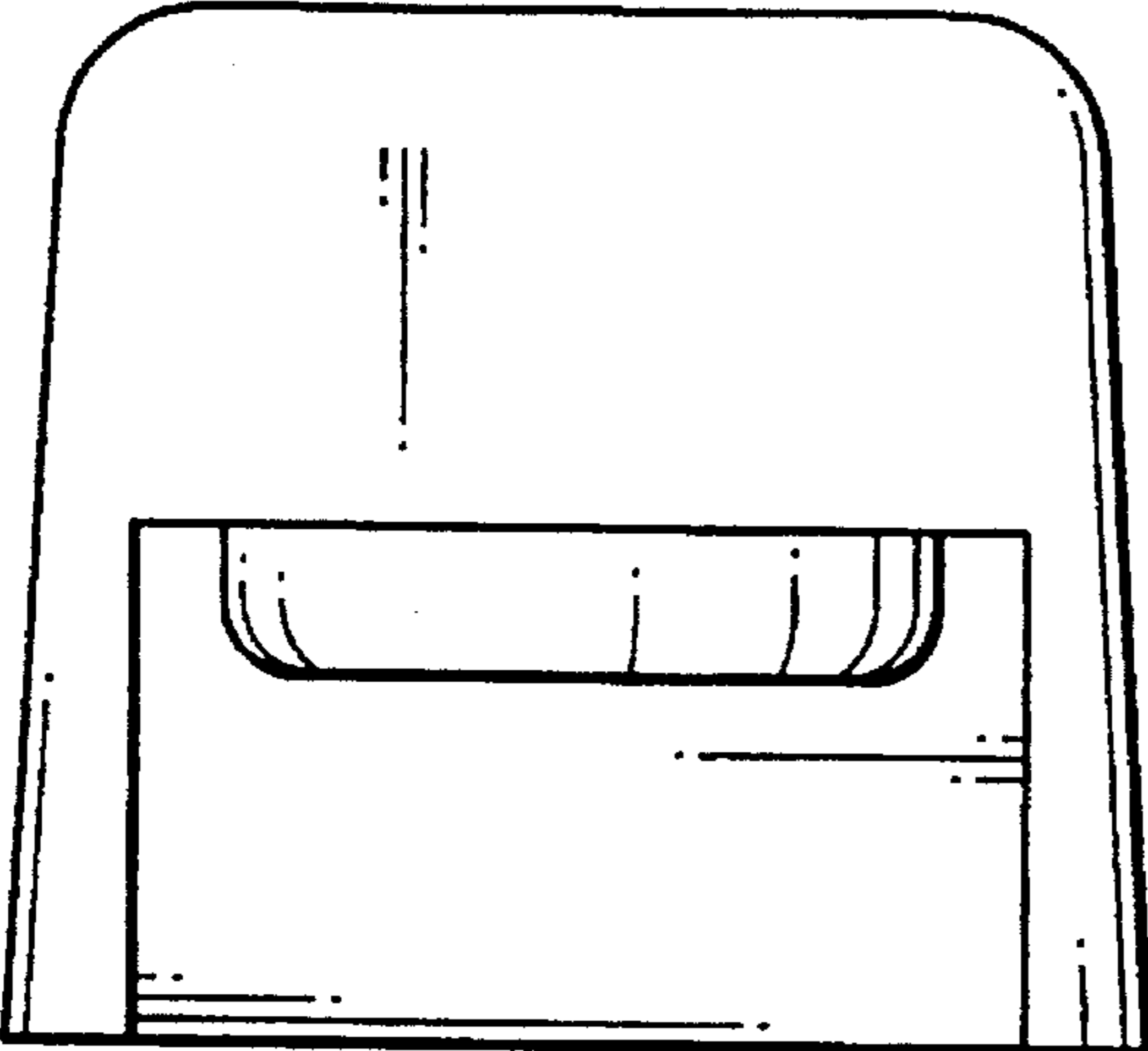


Fig. 1

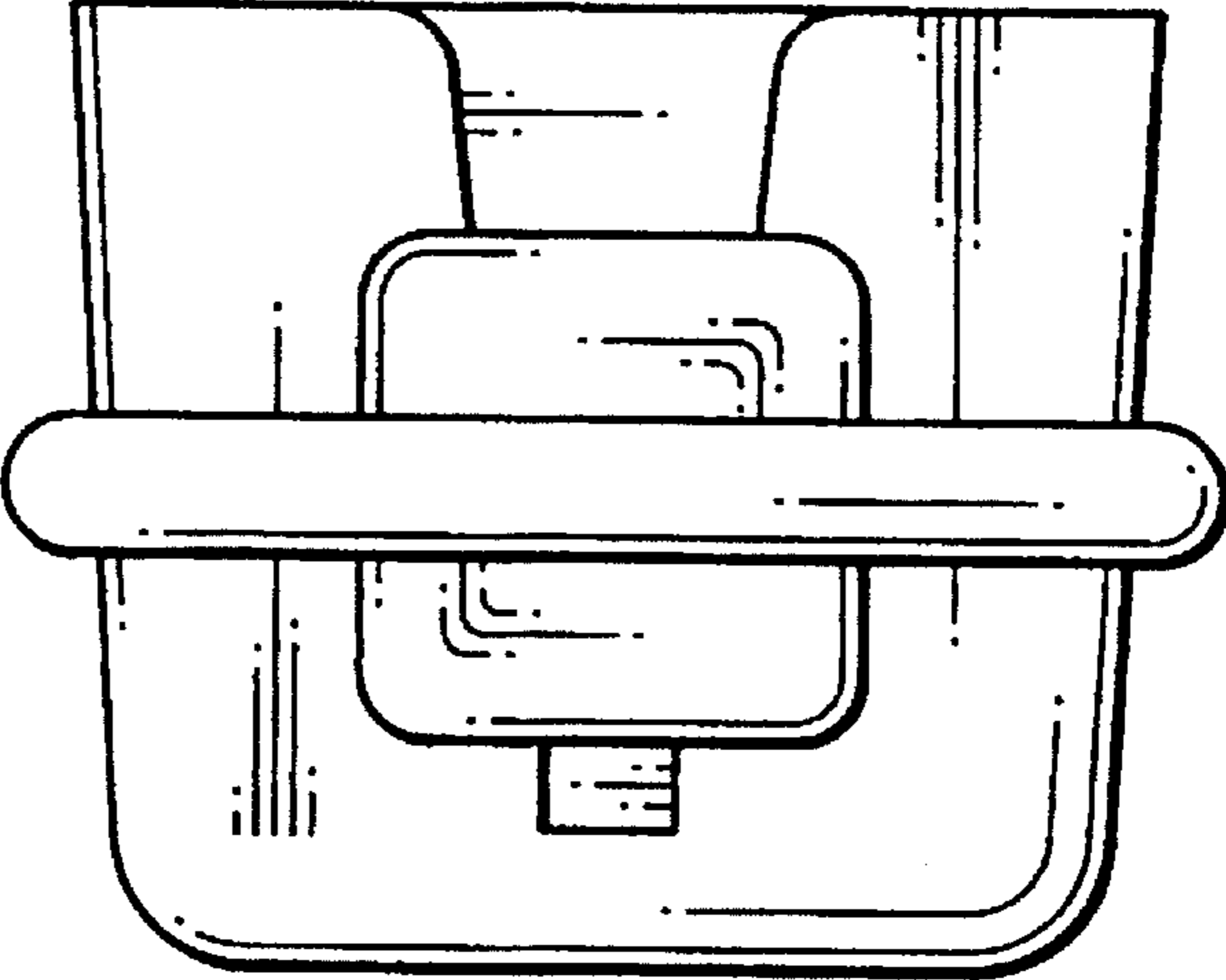


Fig. 2