



US00D375885S

United States Patent [19]

Taylor

[11] Patent Number: **Des. 375,885**

[45] Date of Patent: ****Nov. 26, 1996**

[54] **SANDING MACHINE FOR DRY LINING**

[76] Inventor: **Terence M. Taylor**, 38, Elmbridge Parade Greatfield Estate, Hull, North Humberside, England, HU95BN

[**] Term: **14 Years**

[21] Appl. No.: **29,059**

[22] Filed: **Sep. 28, 1994**

[52] U.S. Cl. **D8/62**

[58] Field of Search D8/61, 62, 70;
451/354, 355, 356, 456, 524

[56] **References Cited**

U.S. PATENT DOCUMENTS

D. 340,629	10/1993	Sanchez et al.	D8/62
4,685,252	8/1987	Ponce	451/354
5,144,774	9/1992	Conboy	451/356

Primary Examiner—B. J. Bullock
Assistant Examiner—Robert M. Spear

[57] **CLAIM**

The ornamental design for a sanding machine for dry lining, as shown and described.

DESCRIPTION

FIG. 1 is a front elevational view of the sanding machine for dry lining showing my new design;
FIG. 2 is a rear elevational view thereof;
FIG. 3 is a left side elevational view thereof;
FIG. 4 is a right side elevational view thereof;
FIG. 5 is a top plan view thereof; and,
FIG. 6 is a bottom plan view thereof.

The broken line showing of a vacuum machine is for illustrative purposes only and forms no part of the claimed design.

The pair of wavy-lines shown on the power cord indicates that the cord may be of varying length.

1 Claim, 3 Drawing Sheets

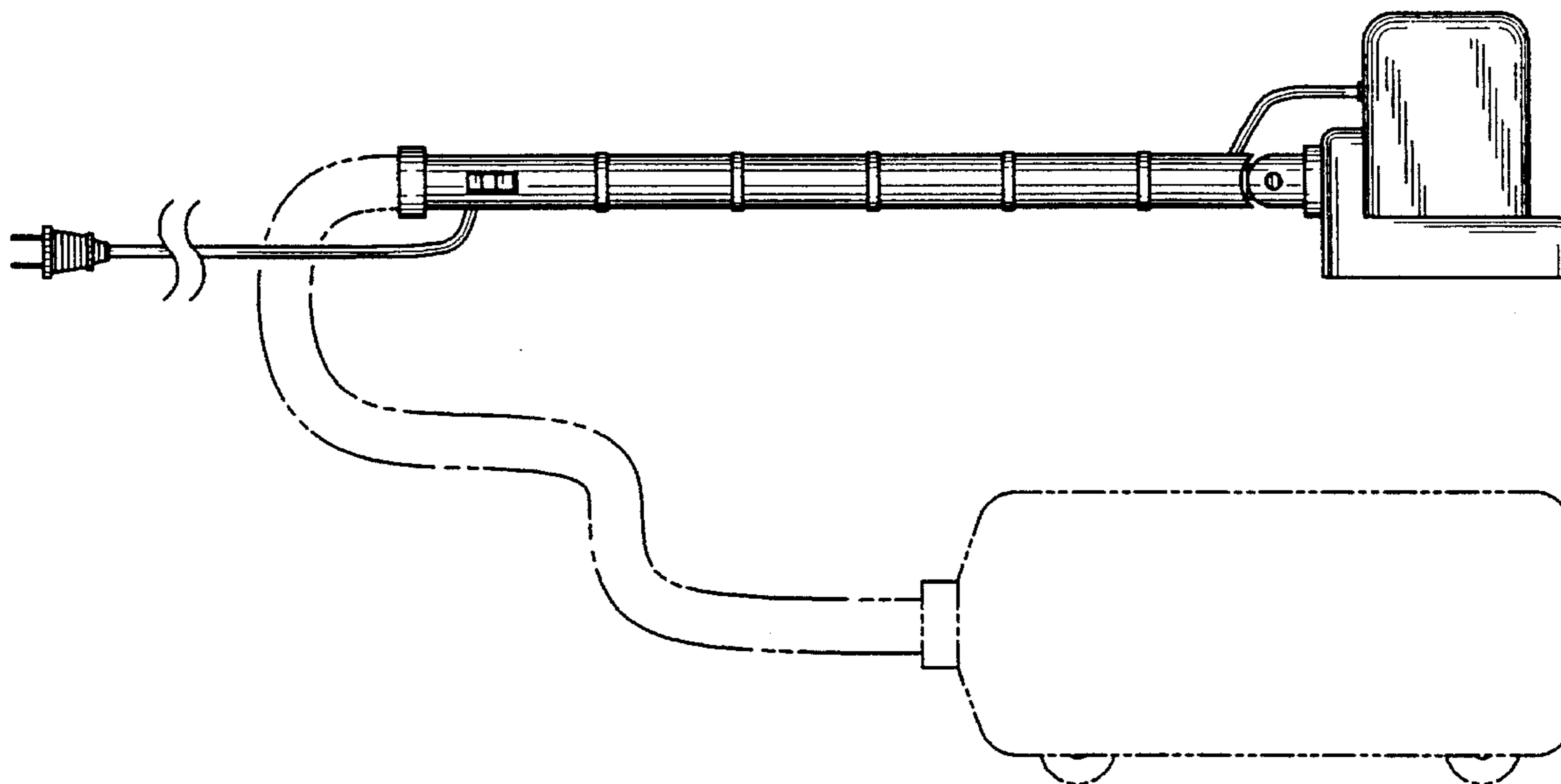


FIG. 1

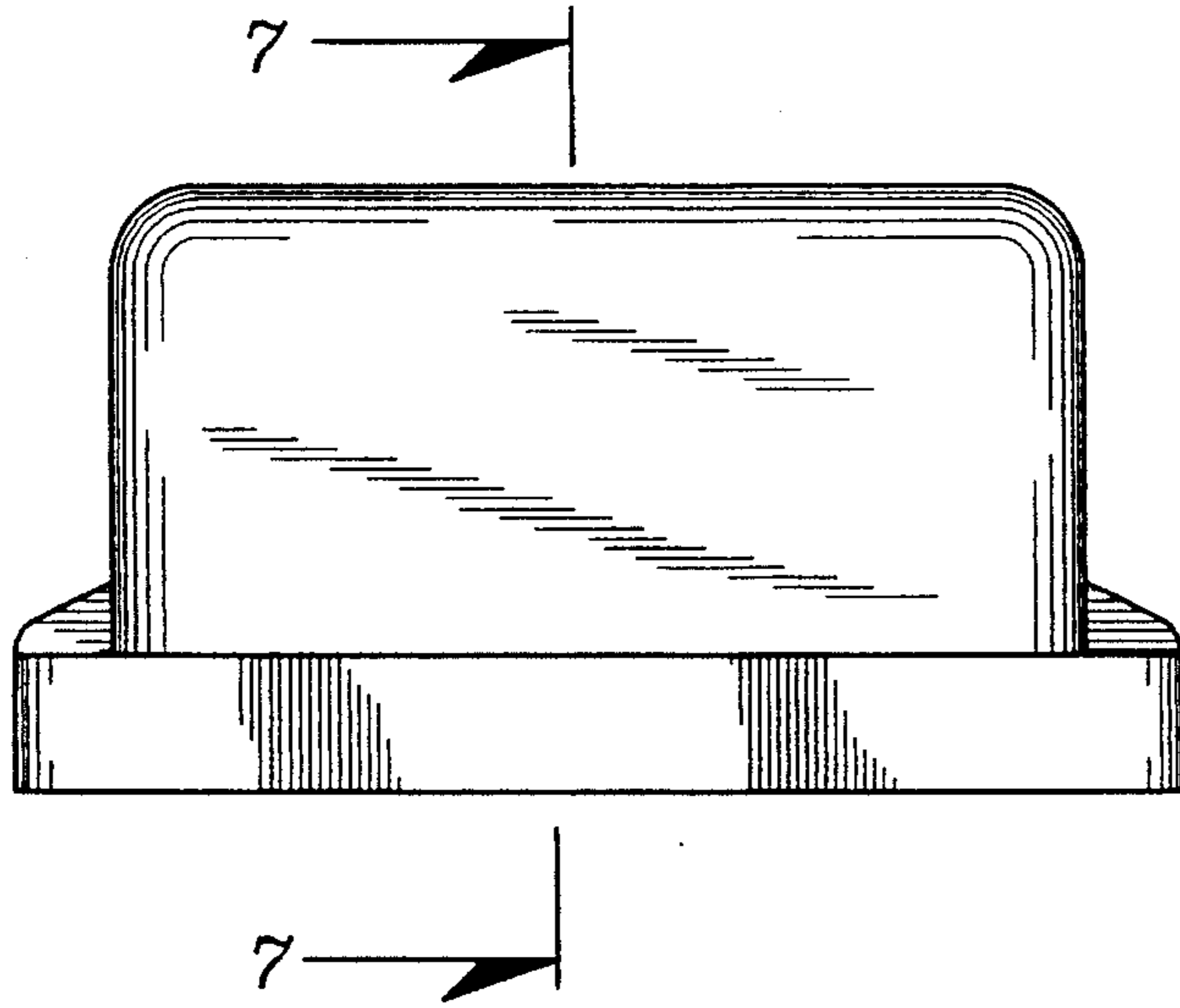


FIG. 2

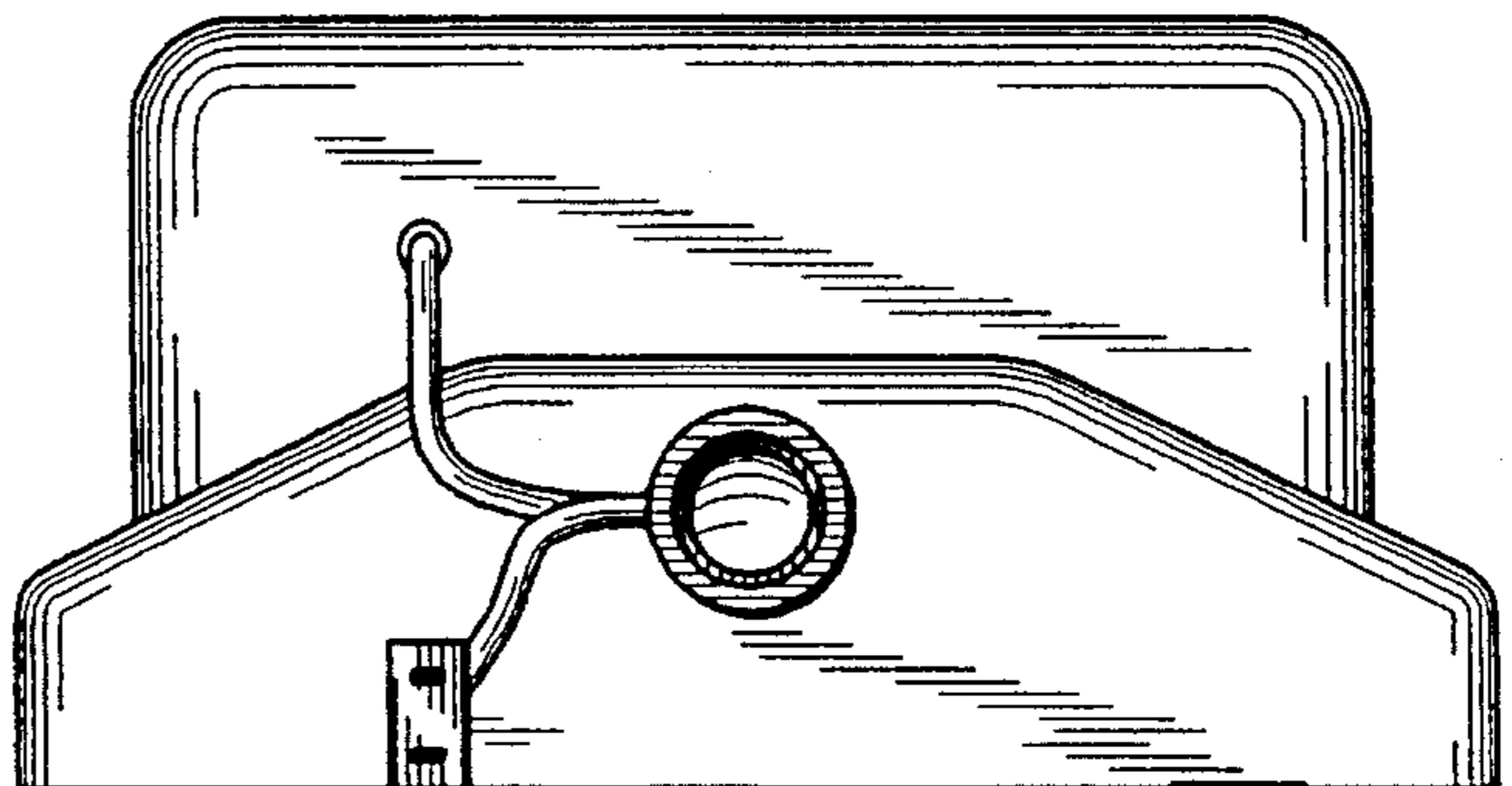


FIG. 3

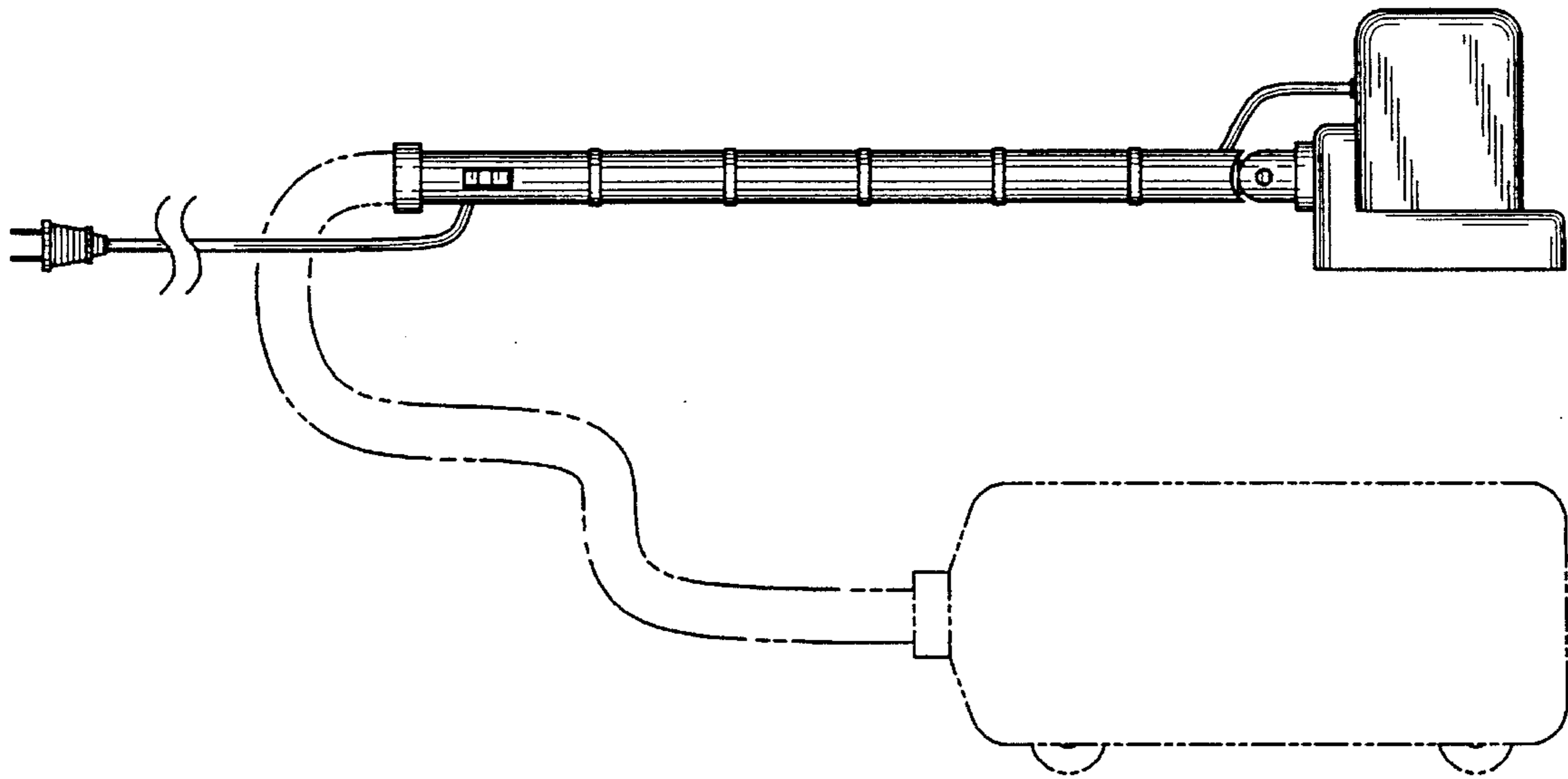


FIG. 4

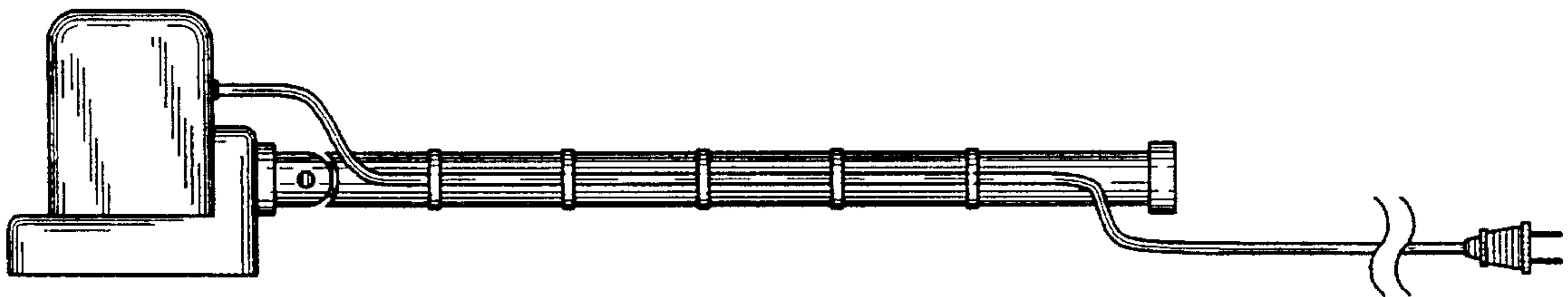


FIG. 5

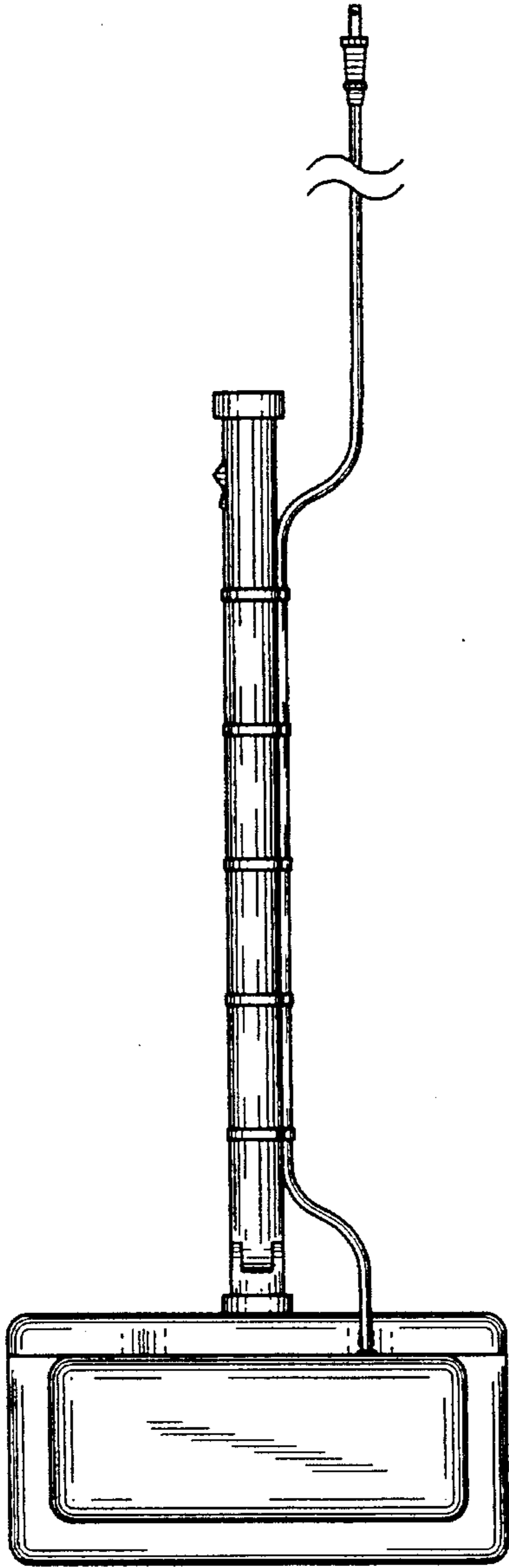


FIG. 6

