



US00D375884S

**United States Patent** [19]  
**Palmer**

[11] **Patent Number: Des. 375,884**  
[45] **Date of Patent: \*\*Nov. 26, 1996**

[54] **CLIPPER FOR SMALL DIAMETER PLASTIC ROD**

[76] Inventor: **Kenneth S. Palmer**, 5000 W. Lakeridge Rd., Denver, Colo. 80219

[\*\*] Term: **14 Years**

[21] Appl. No.: **42,949**

[22] Filed: **Aug. 21, 1995**

[52] U.S. Cl. .... **D8/51; D8/50**

[58] **Field of Search** ..... D8/49, 50, 51, D8/52, 98; D19/72; 30/182, 183, 208; 227/130-132; 81/9.41, 9.42, 9.43

[56] **References Cited**

**U.S. PATENT DOCUMENTS**

211,608	1/1879	Wilcox	30/182
D. 333,957	3/1993	Chan	D8/50
D. 347,371	5/1994	Konik	D8/51
5,469,762	11/1995	Krampe	81/9.43

*Primary Examiner*—Terry A. Wallace  
*Assistant Examiner*—Adir Aronovich

*Attorney, Agent, or Firm*—Charles C. Corbin

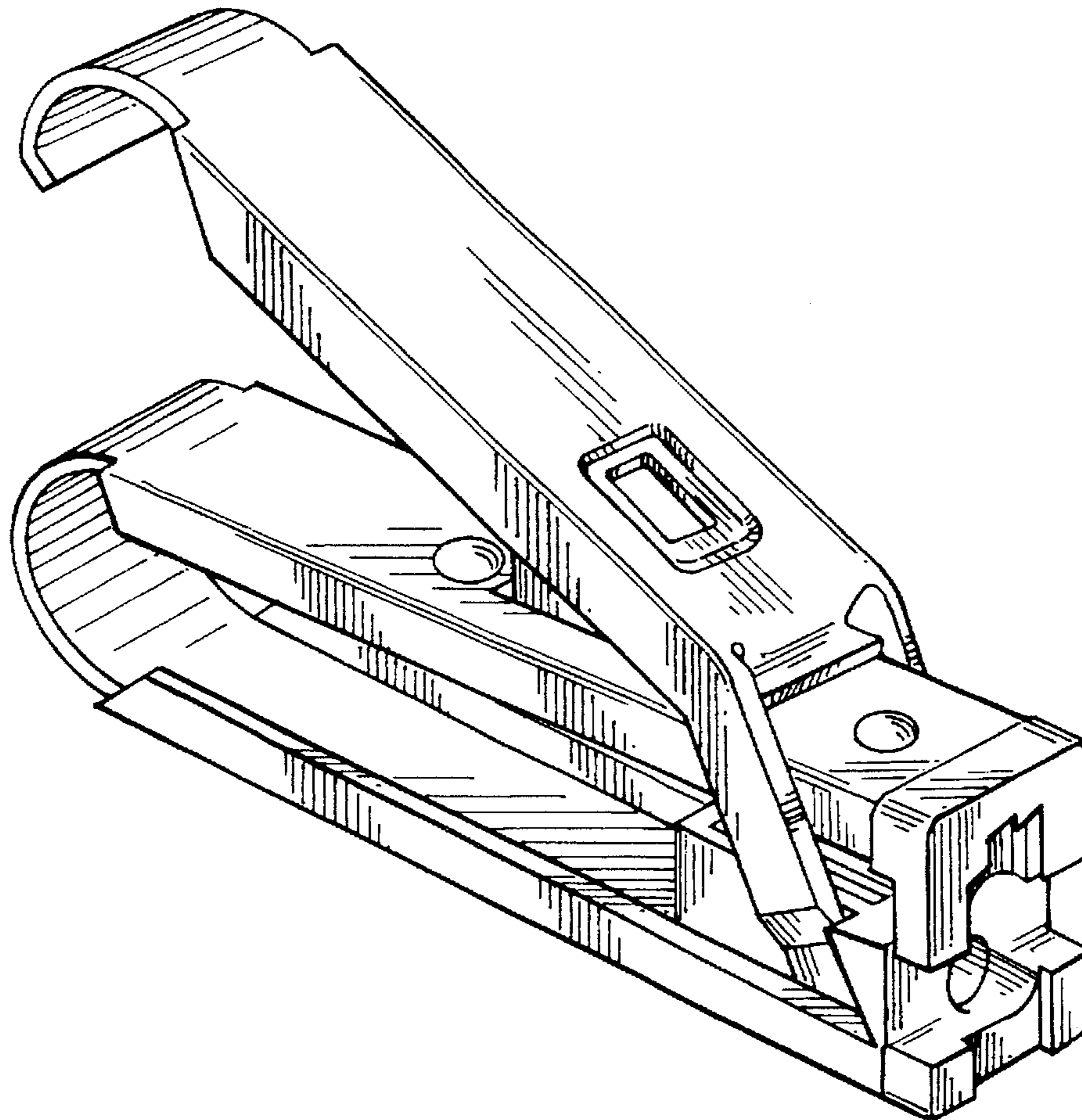
[57] **CLAIM**

The ornamental design for a clipper for small diameter plastic rod, as shown and described.

**DESCRIPTION**

FIG. 1 is an upper front perspective view showing my new design for a clipper for small diameter plastic rod, the clipper shown in an open position;  
FIG. 2 is an enlarged right side elevational view of the clipper in its closed position;  
FIG. 3 is an enlarged front end view of the clipper in open position;  
FIG. 4 is an enlarged right side elevational view of the clipper in its open position;  
FIG. 5 is an enlarged left side elevational view of the clipper in its open position;  
FIG. 6 is an enlarged rear end view of my clipper in its open position;  
FIG. 7 is an enlarged top plan view of the clipper; and,  
FIG. 8 is an enlarged bottom plan view of the clipper.

**1 Claim, 2 Drawing Sheets**



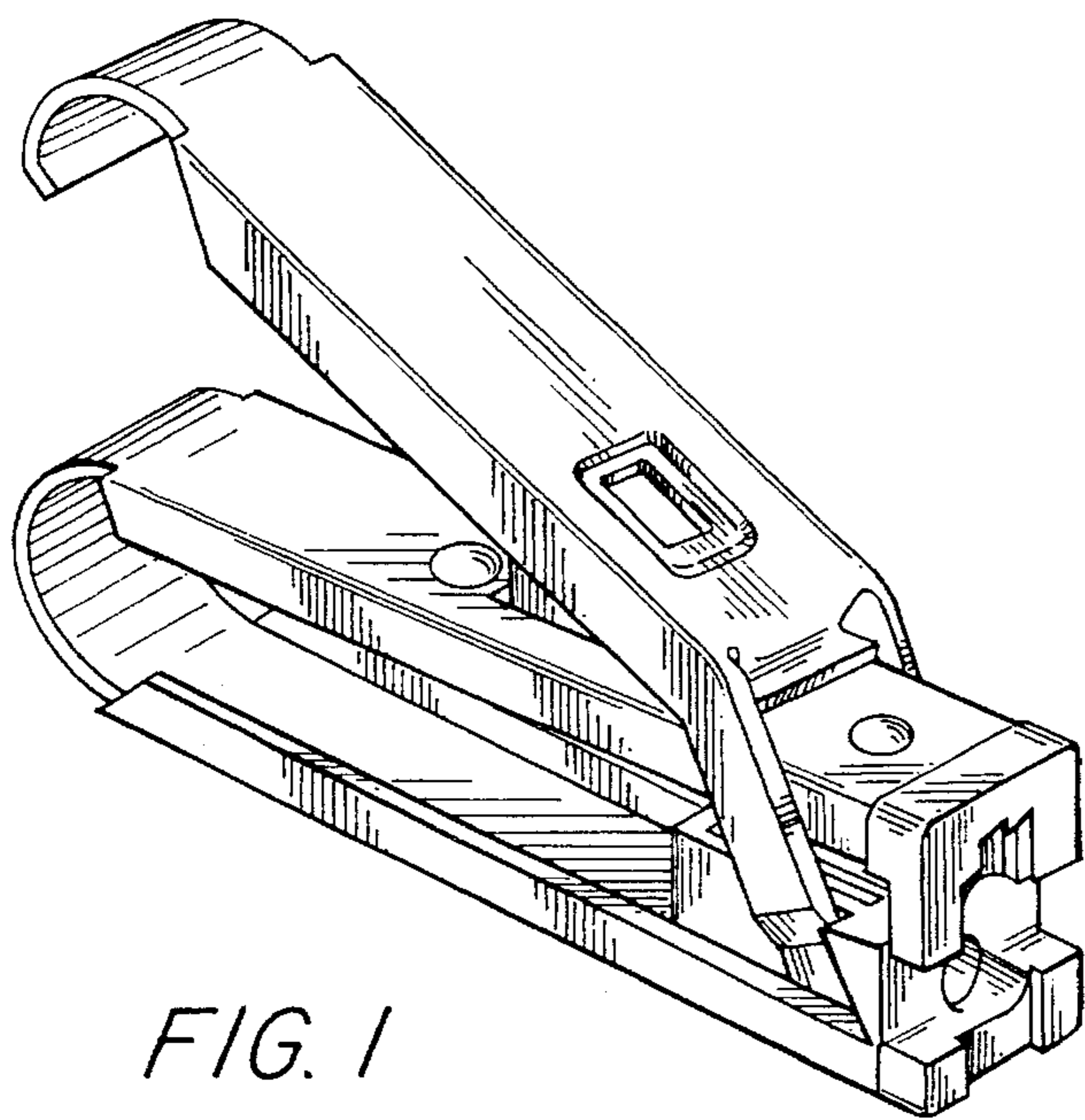


FIG. 1

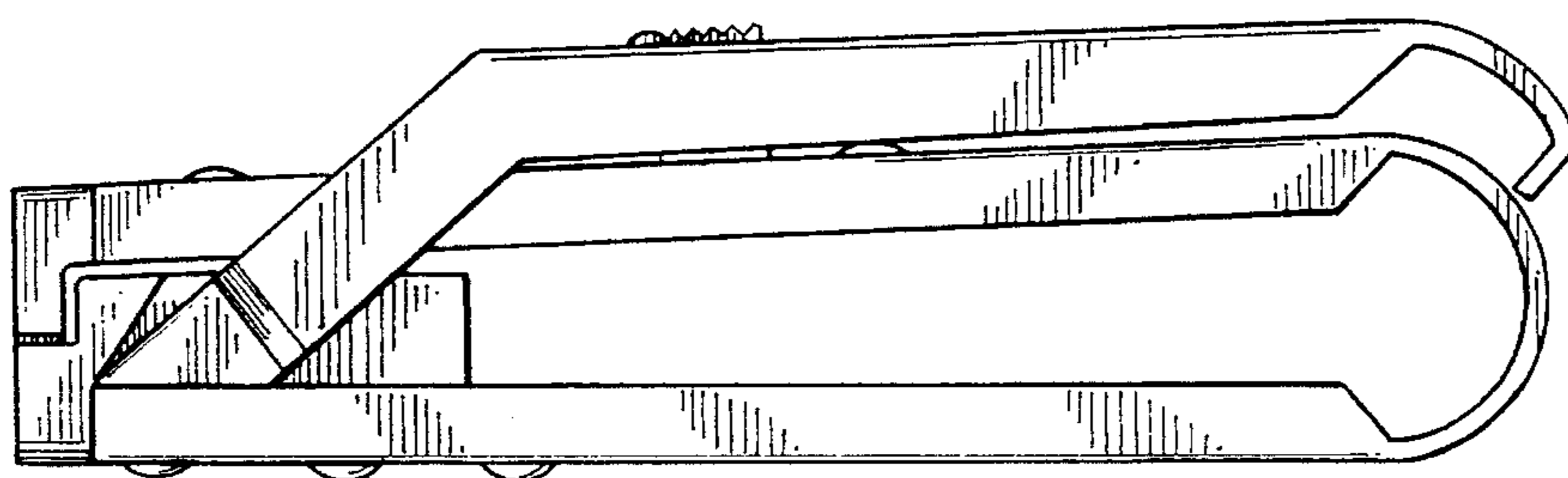


FIG. 2

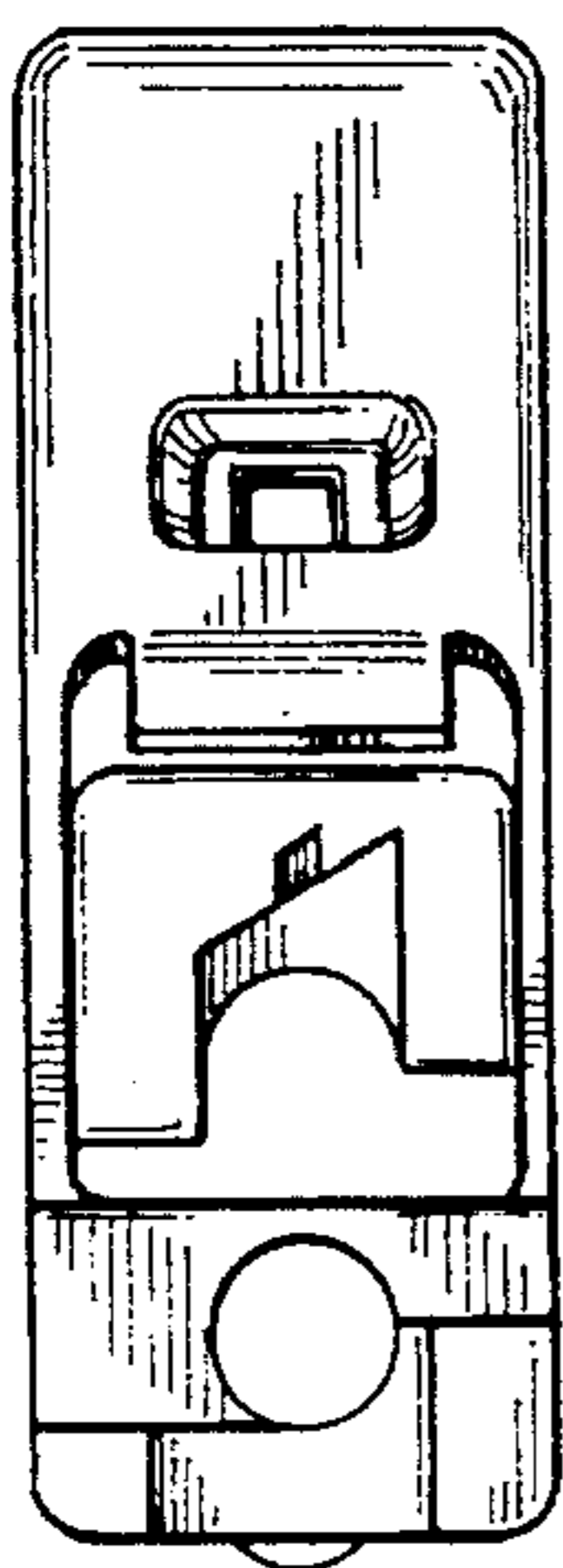


FIG. 3

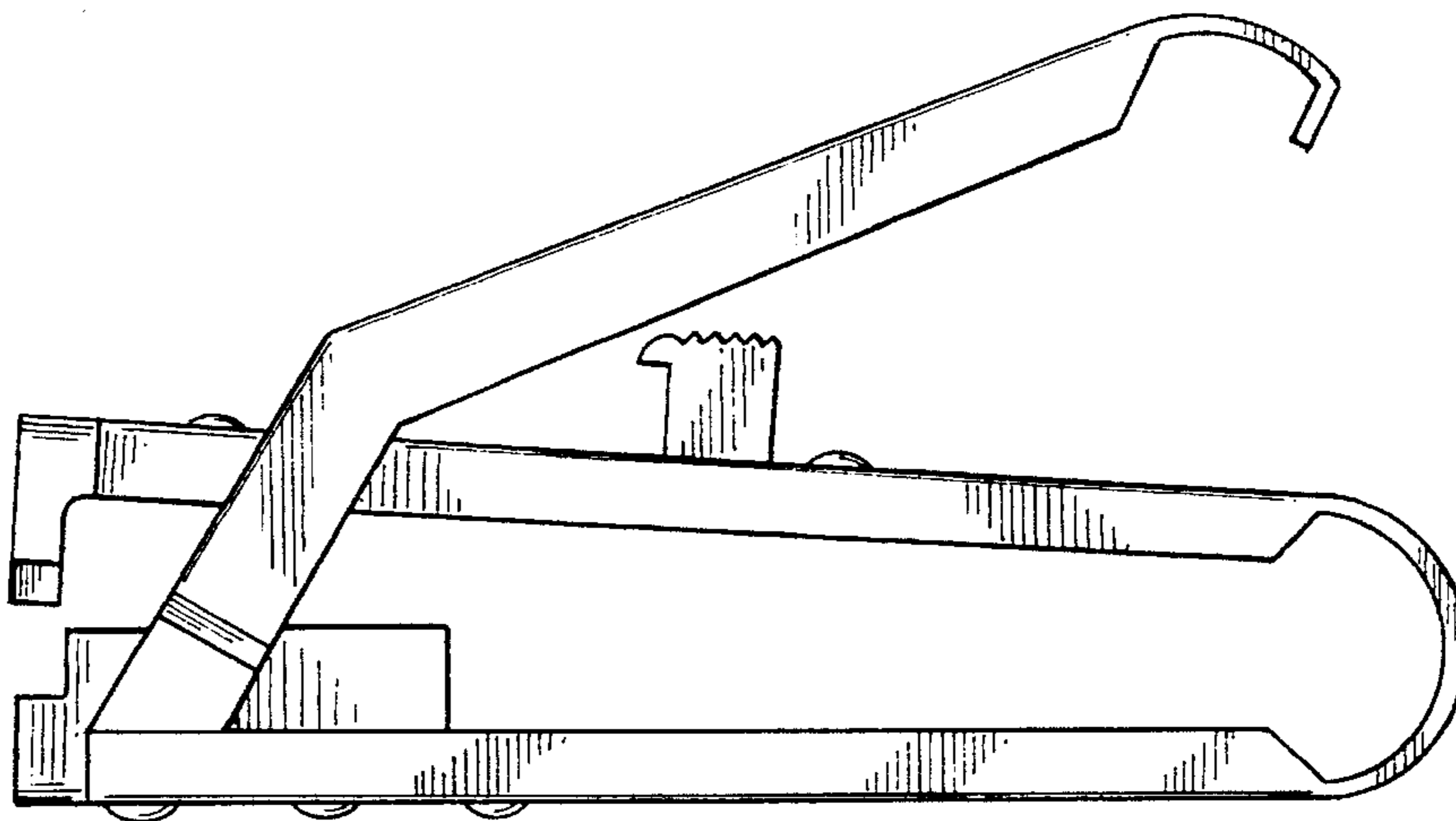


FIG. 4

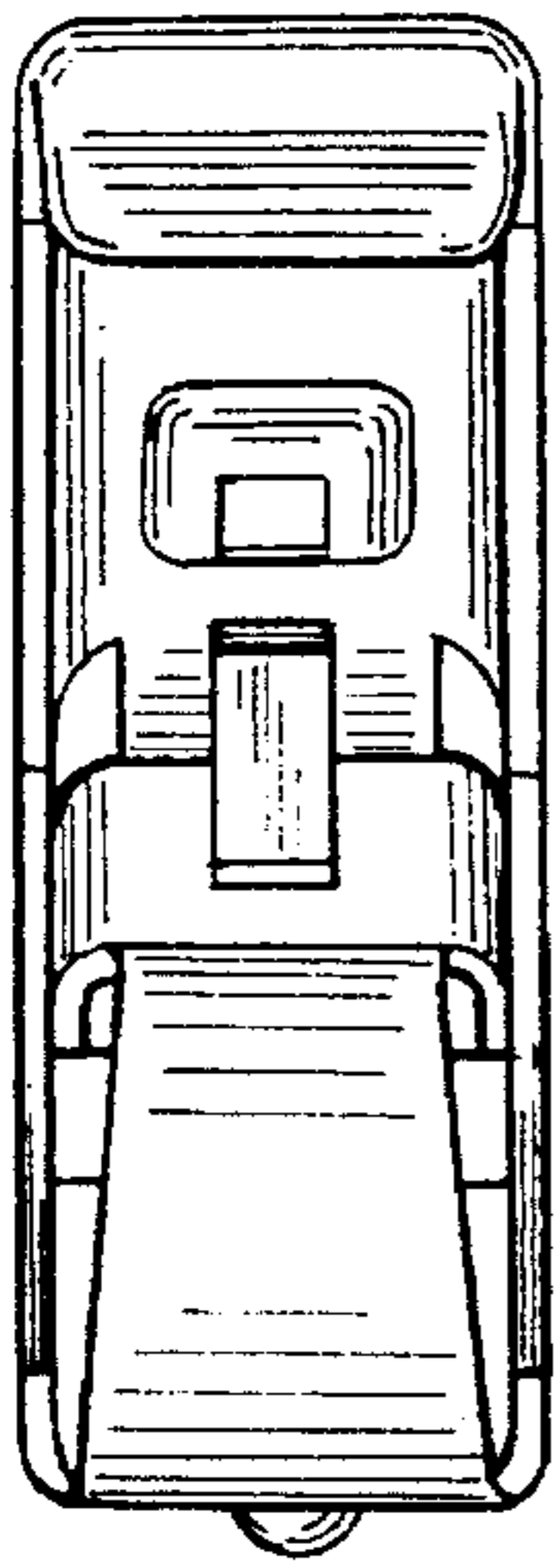


FIG. 6

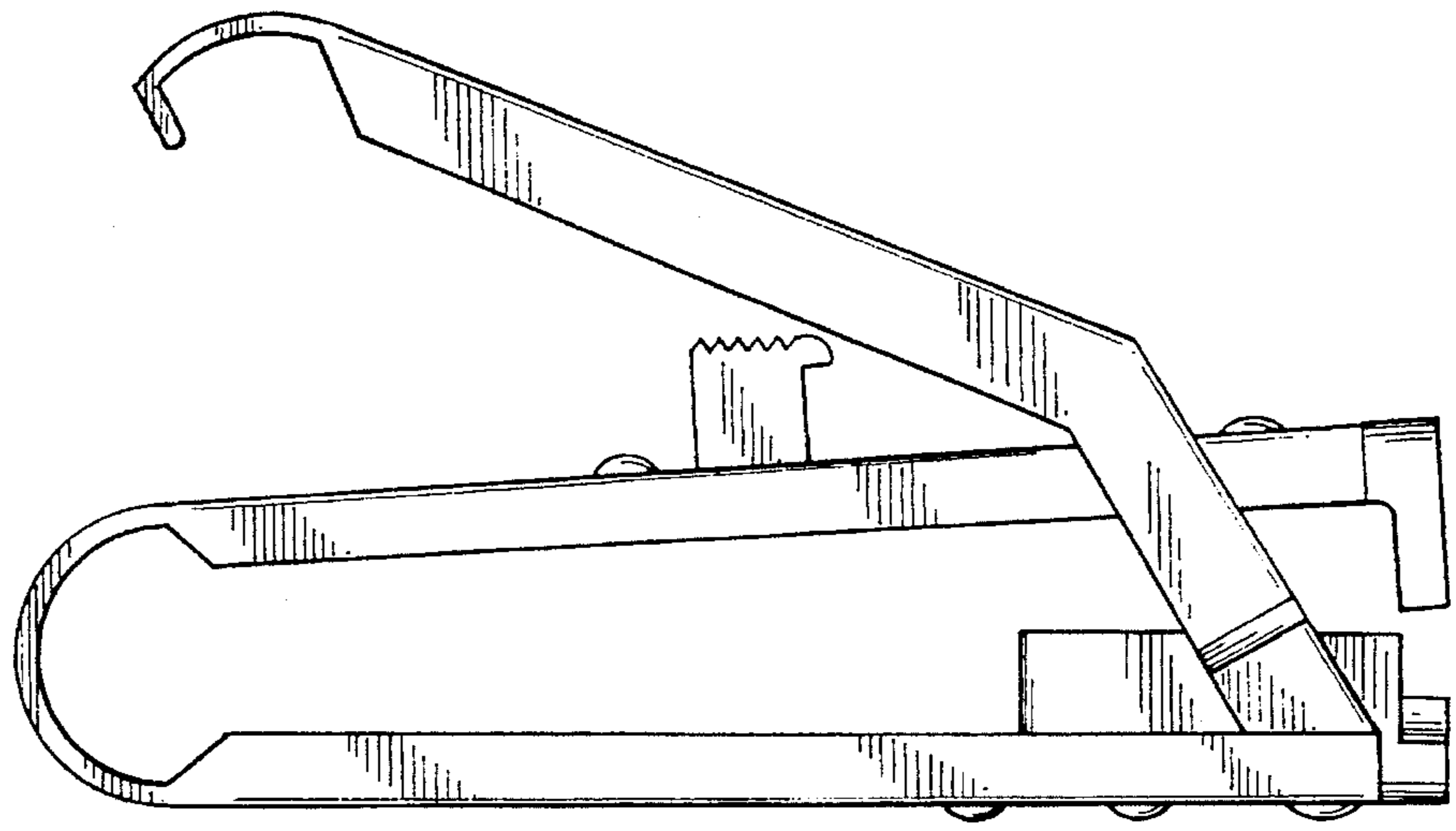


FIG. 5

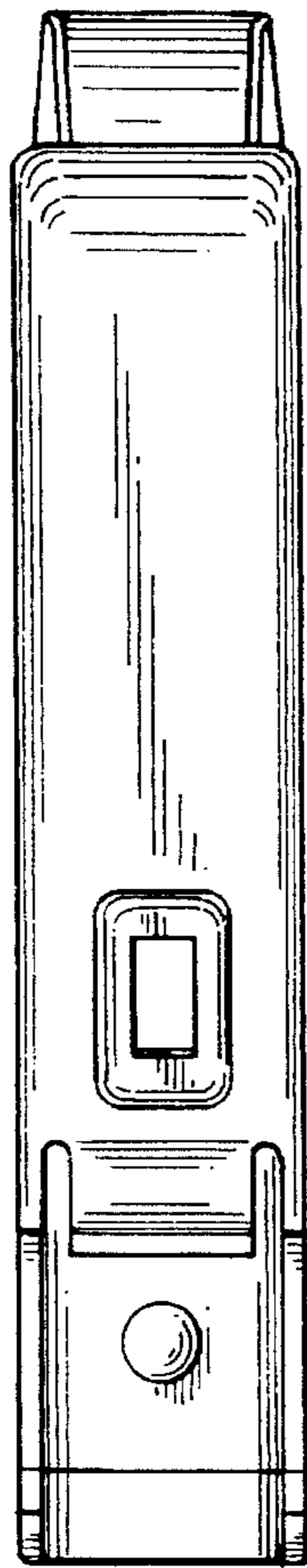


FIG. 7

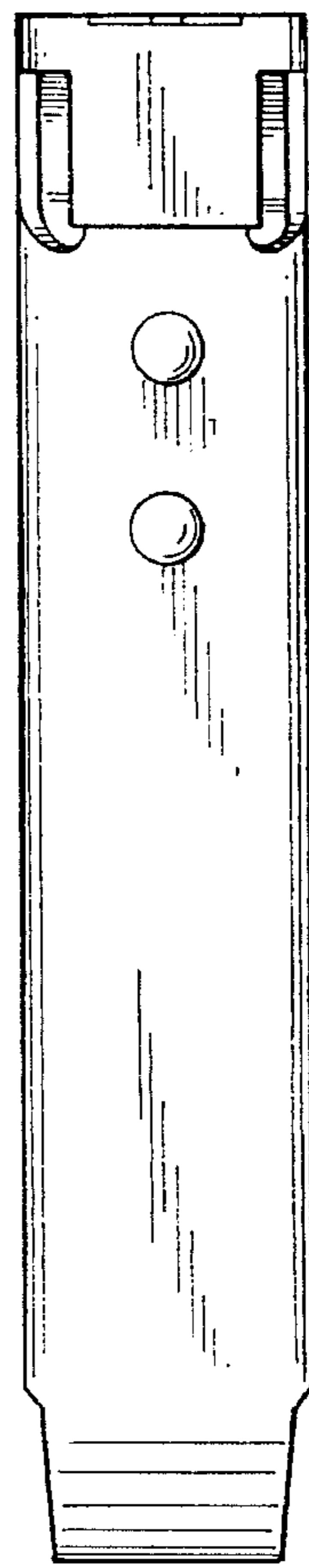


FIG. 8