



US00D375883S

United States Patent [19]

[11] Patent Number: **Des. 375,883**

Fomby

[45] Date of Patent: ****Nov. 26, 1996**

[54] **UTILITY RAKE**

Attorney, Agent, or Firm—Jenkins & Gilchrist P.C.

[76] Inventor: **Kenneth A. Fomby**, West Hwy. 82,
P.O. Box 636, Gainesville, Tex.
76241-0636

[57] **CLAIM**

The ornamental design for the utility rake, as shown and described.

[**] Term: **14 Years**

DESCRIPTION

[21] Appl. No.: **41,808**

FIG. 1 is a back view in perspective of a utility rake showing my new design;

[22] Filed: **Jul. 25, 1995**

[52] U.S. Cl. **D8/13**

FIG. 2 is a back elevational view of the utility rake shown FIG. 1;

[58] Field of Search D8/13, 9; 56/400.01,
56/400.04-400.21

FIG. 3 is a right elevational view of the utility rake shown in FIG. 1 with the left view being a mirror image;

[56] References Cited

U.S. PATENT DOCUMENTS

D. 49,762	10/1916	Doust	D8/9
D. 105,902	8/1937	Sherman	D8/9
D. 306,682	3/1990	Thompson	D8/13
D. 344,661	3/1994	Schuele	D8/13
1,158,649	11/1915	Doust	56/400.21

FIG. 4 is a front view in elevation of the utility rake shown in FIG. 1;

FIG. 5 is a top plan view the utility rake shown in FIG. 1; and,

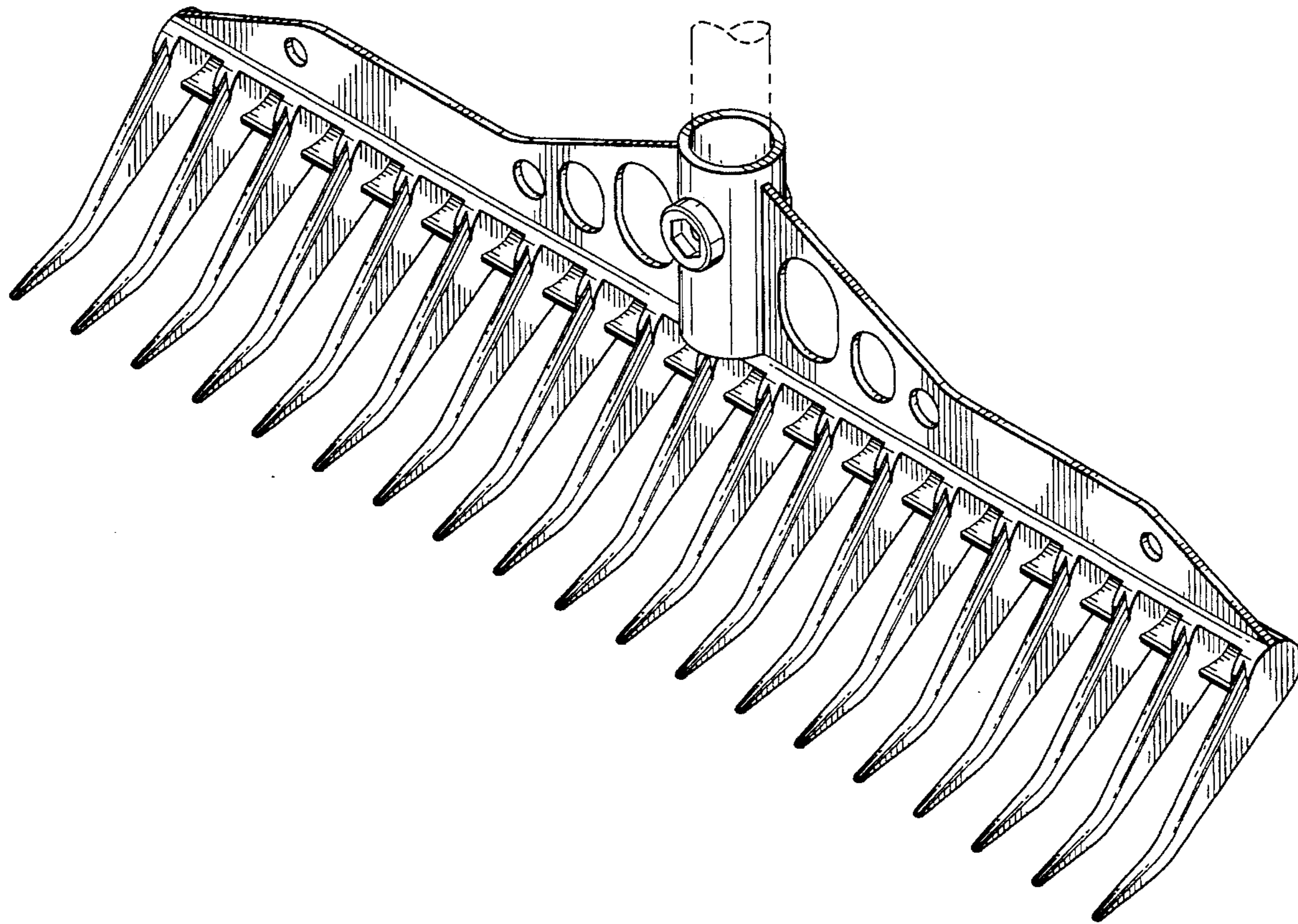
OTHER PUBLICATIONS

Williams Sonoma—Gardener's Eden, Mar. 17, 1988, p. 19, rake item C at right of page.

FIG. 6 is a bottom view of the utility rake shown in FIG. 1. The broken line showing of a fragmented handle is for illustrative purposes only and forms no part of the claimed design.

Primary Examiner—Holly H. Baynham

1 Claim, 2 Drawing Sheets



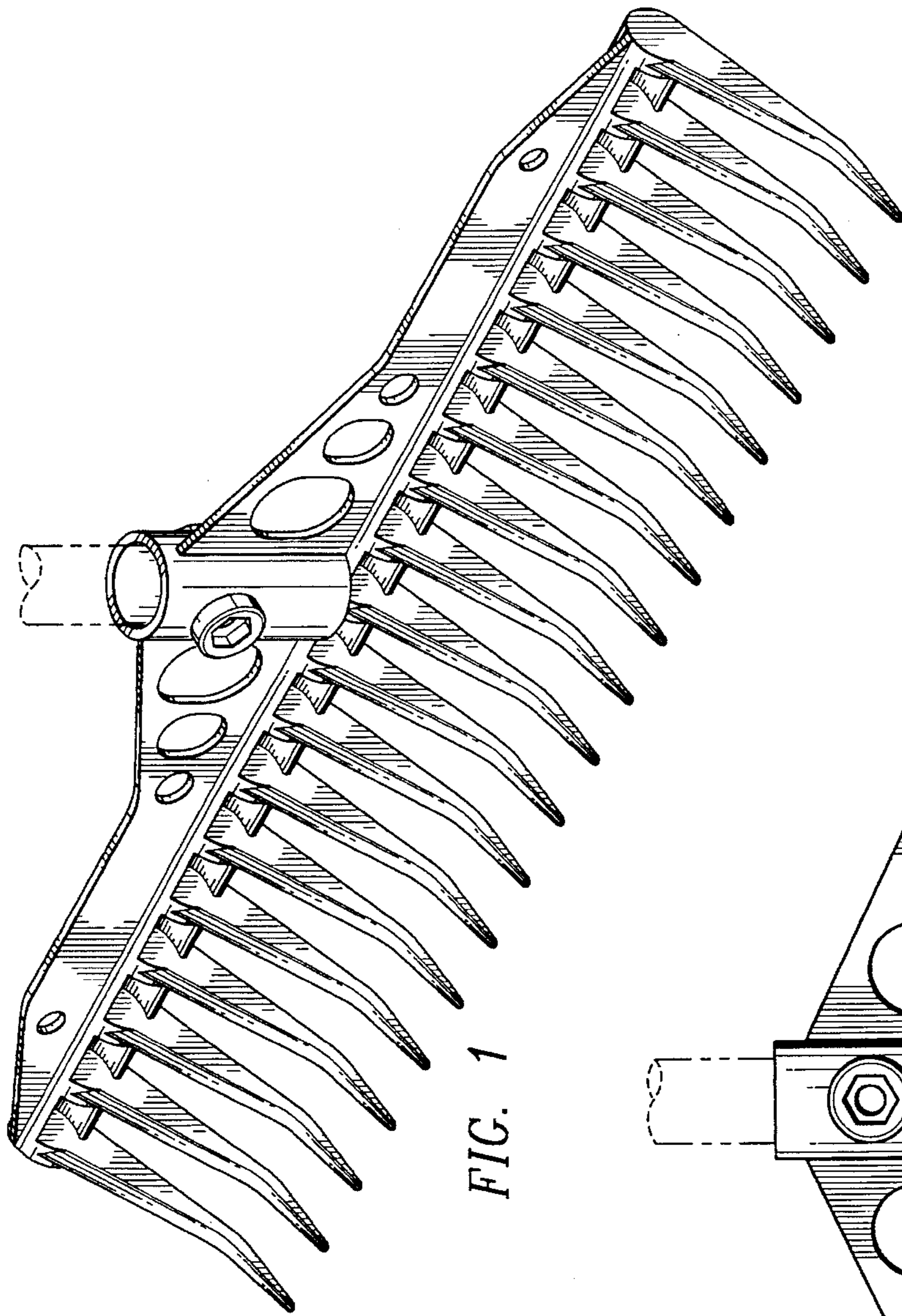


FIG. 1

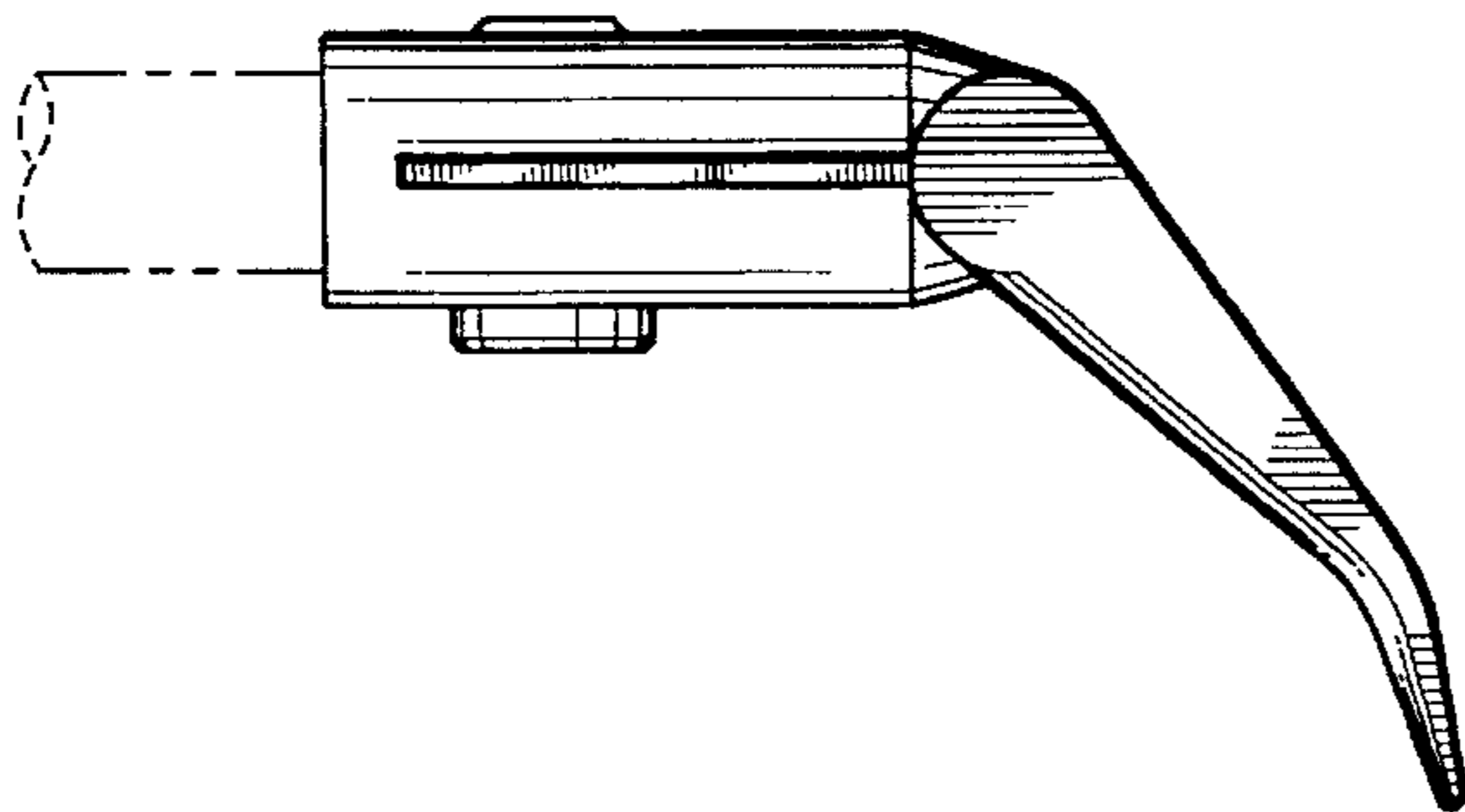


FIG. 3

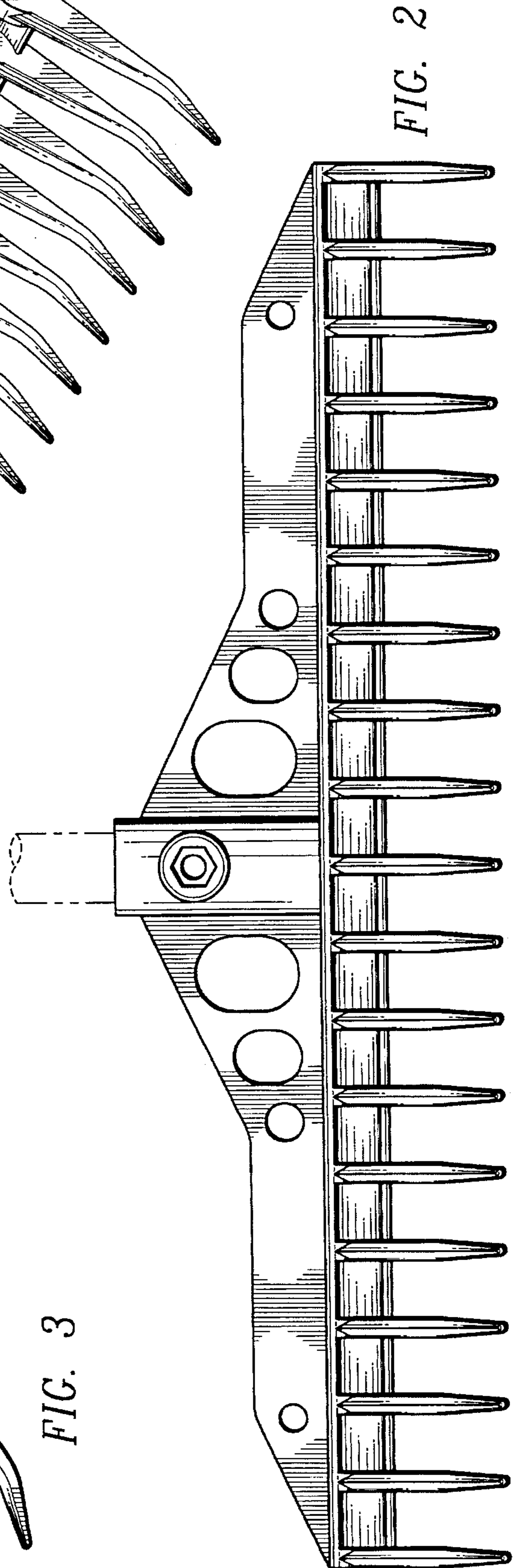


FIG. 2

