



US00D375879S

# United States Patent [19]

Nielsen

[11] Patent Number: **Des. 375,879**

[45] Date of Patent: **\*\*Nov. 26, 1996**

[54] **HOSE HANDLER**

5,000,405 3/1991 Rybak et al. .... 248/80  
5,311,909 5/1994 Adcock ..... 248/80 X

[76] Inventor: **Brent S. Nielsen**, 107 S. 7th St.,  
Clinton, Iowa 52732

*Primary Examiner*—Holly H. Baynham  
*Attorney, Agent, or Firm*—James A. Hudak

[\*\*] Term: **14 Years**

[57] **CLAIM**

[21] Appl. No.: **39,082**

The ornamental design for a hose handler, as shown and described.

[22] Filed: **May 19, 1995**

[52] U.S. Cl. .... **D8/1; D8/356; D23/219; D23/266**

**DESCRIPTION**

[58] **Field of Search** ..... D8/1, 356; 248/80,  
248/75, 79; 239/1, 276; D23/219, 266

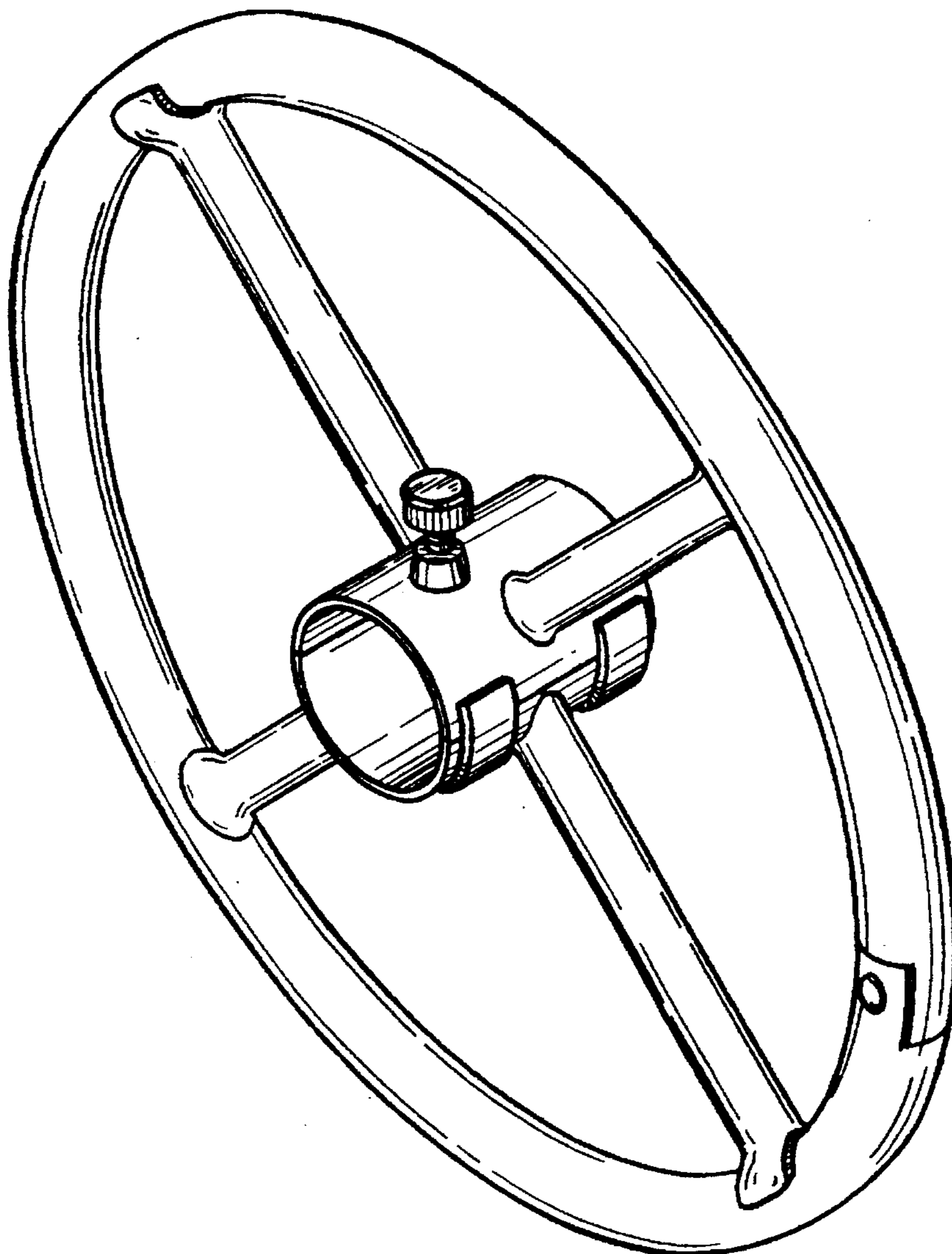
FIG. 1 is a perspective view of the hose handler showing my new design;  
FIG. 2 is a front elevational view thereof, the rear elevational view being a mirror image of the view shown in this Figure;  
FIG. 3 is a right side elevational view thereof;  
FIG. 4 is a left side elevational view thereof;  
FIG. 5 is a top plan view thereof; and,  
FIG. 6 is a bottom plan view thereof.

[56] **References Cited**

**U.S. PATENT DOCUMENTS**

D. 343,552	1/1994	Walters	.....	D8/1
D. 344,012	2/1994	Aoki	.....	D8/356
1,933,919	11/1933	McPherson	.....	239/1
3,603,539	9/1971	Clegg, Jr.	.....	248/79

**1 Claim, 3 Drawing Sheets**



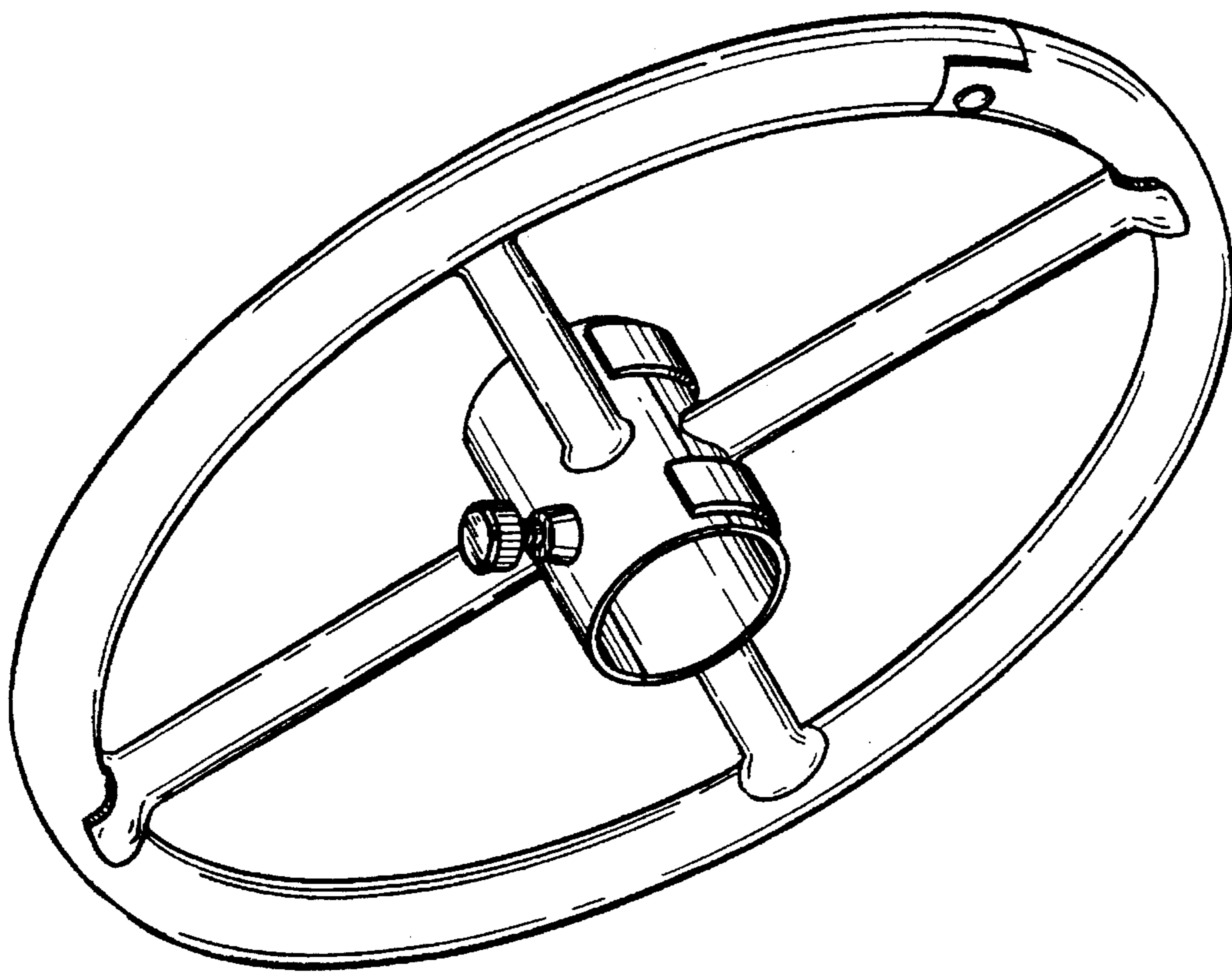


FIG. 1

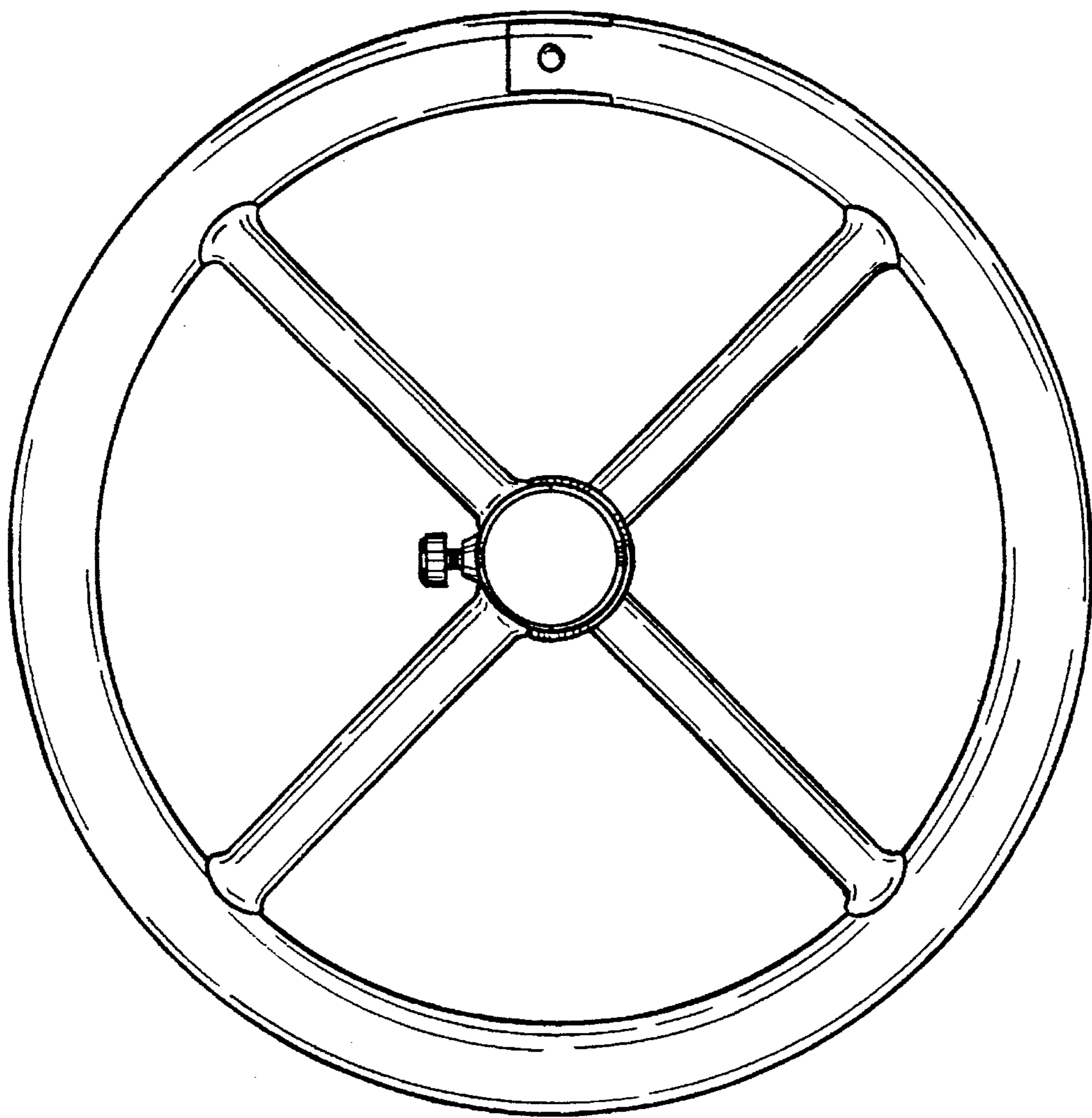


FIG. 2

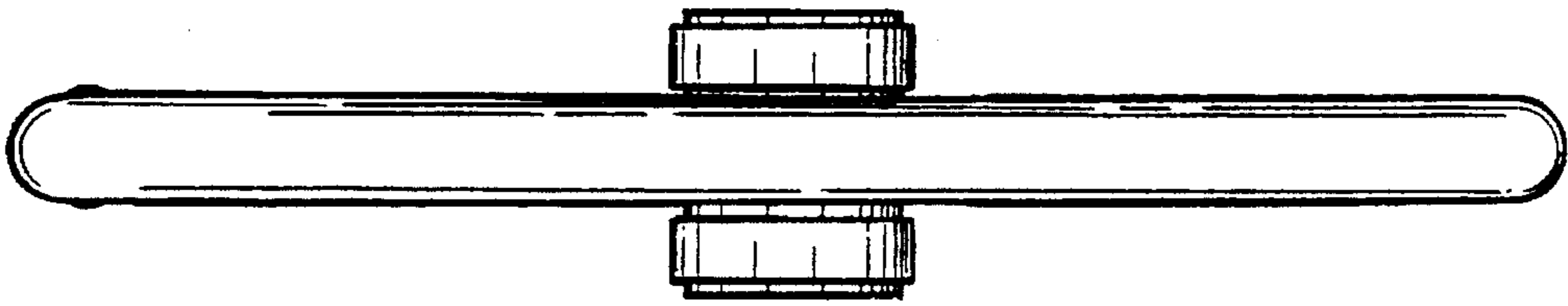


FIG.6

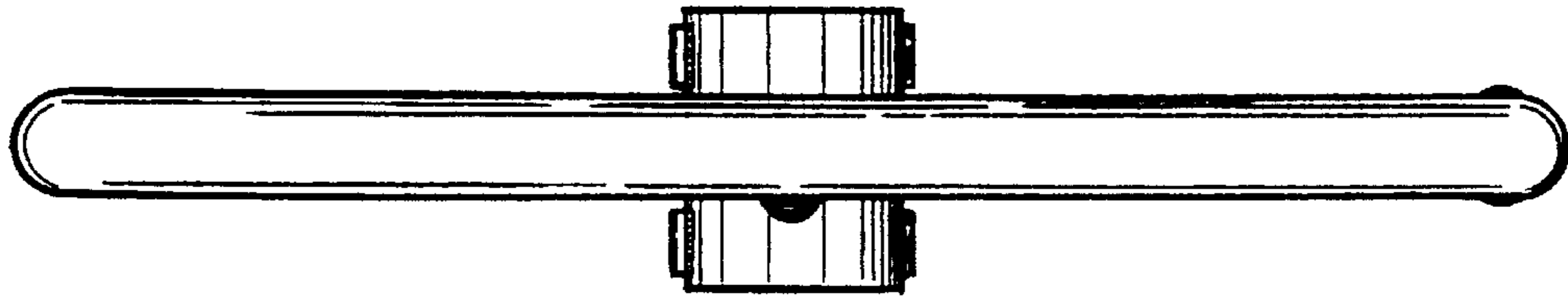


FIG.5

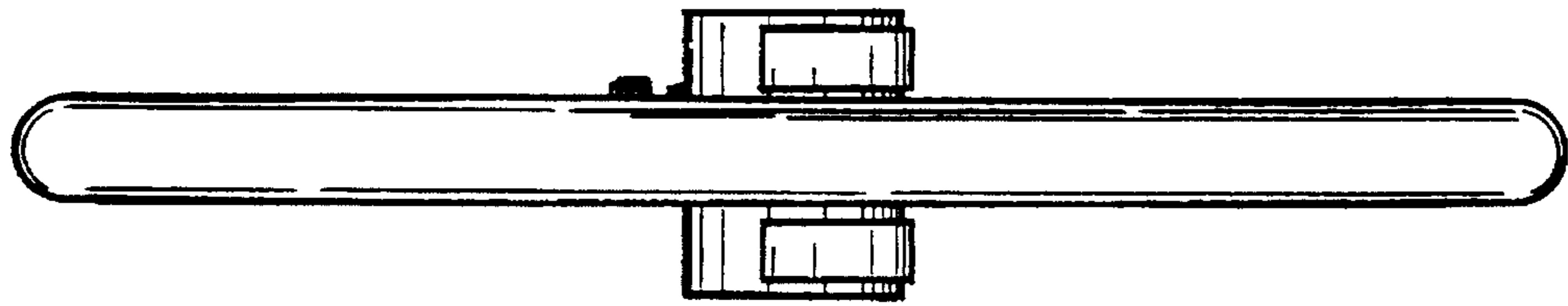


FIG.4

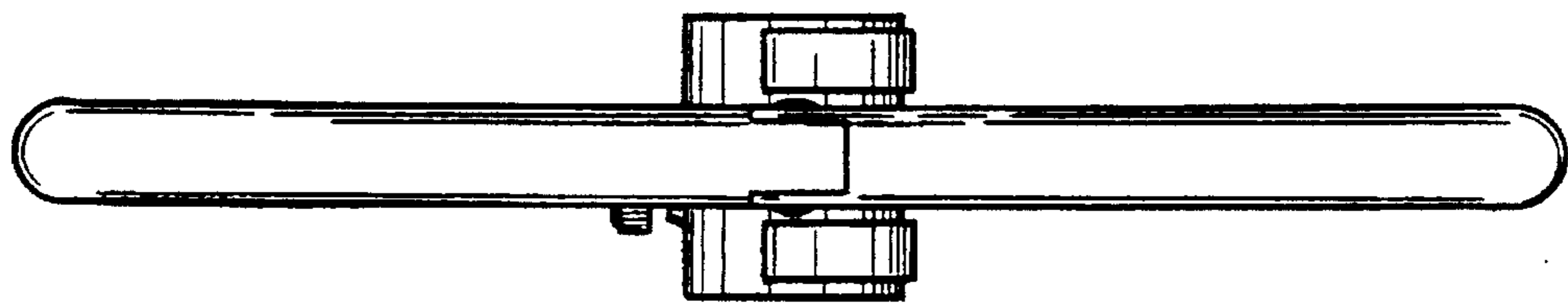


FIG.3