



US00D375878S

United States Patent [19]

Morris

[11] Patent Number: **Des. 375,878**

[45] Date of Patent: ****Nov. 26, 1996**

[54] FUNNEL

[75] Inventor: **Michael A. Morris**, Menlo Park, Calif.

[73] Assignee: **Geo Plastics**, Redwood City, Calif.

[**] Term: **14 Years**

[21] Appl. No.: **49,229**

[22] Filed: **Jan. 22, 1996**

[52] U.S. Cl. **D7/700**

[58] Field of Search **D7/700; 141/297-300, 141/331-345**

[56] References Cited

U.S. PATENT DOCUMENTS

D. 244,171	5/1977	Pearce	D7/700
5,277,234	1/1994	Warstler	141/299

OTHER PUBLICATIONS

Home Furnishings Daily, Jan. 8, 1974, p. 20, funnel.
 Fisher Scientific, 1981, p. 374, funnel, #2, 1st column.
 Fisher Scientific, 1981, p. 371, funnel, #2, 2nd column.

Primary Examiner—Terry A. Wallace

Attorney, Agent, or Firm—Flehr, Hohbach, Test, Albritton & Herbert

[57] CLAIM

The ornamental design for a funnel, as shown and described.

DESCRIPTION

FIG. 1 is a top perspective view of a funnel;

FIG. 2 is a side elevation view of one side thereof, the other side being a mirror-image of the one side;

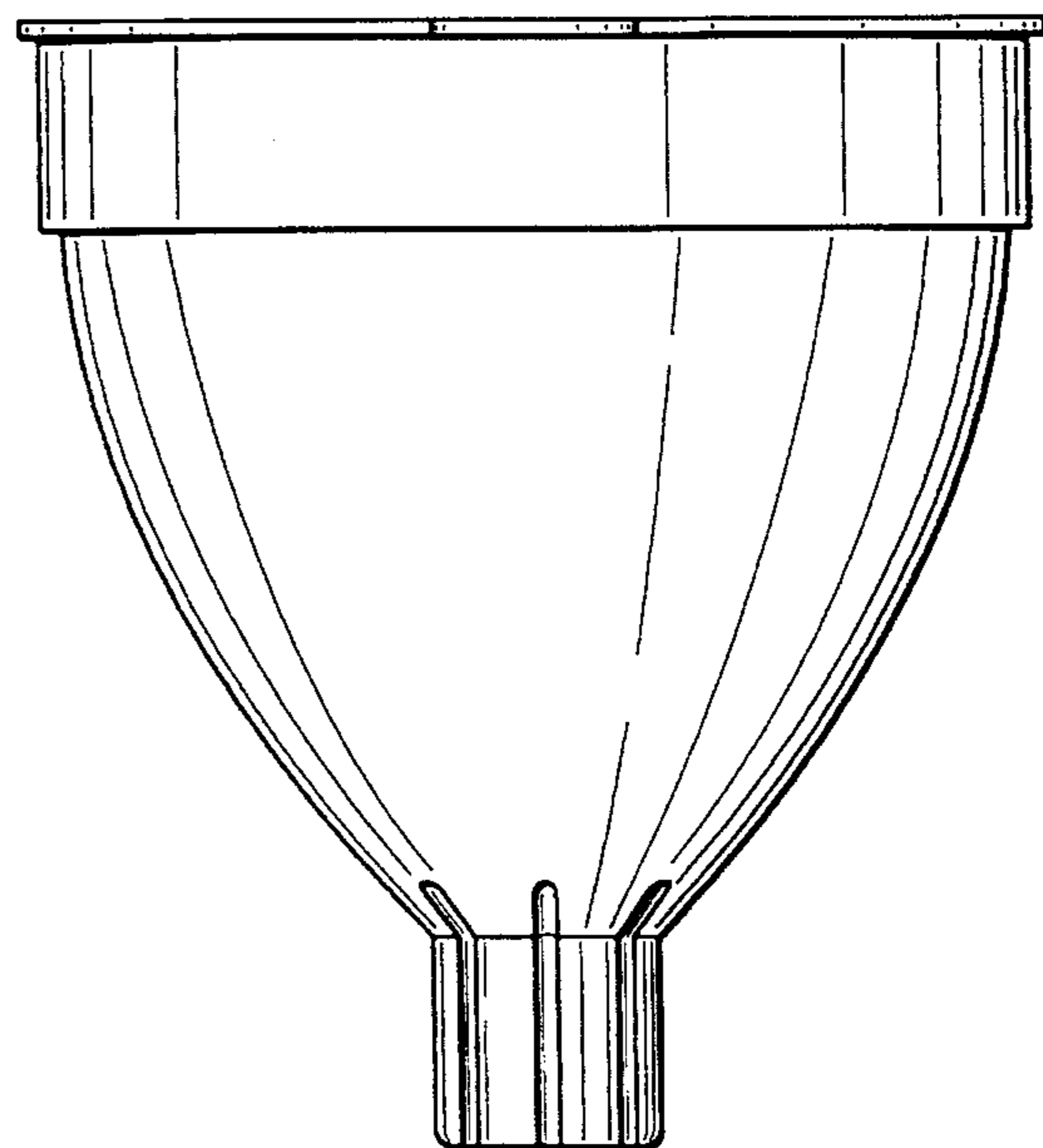
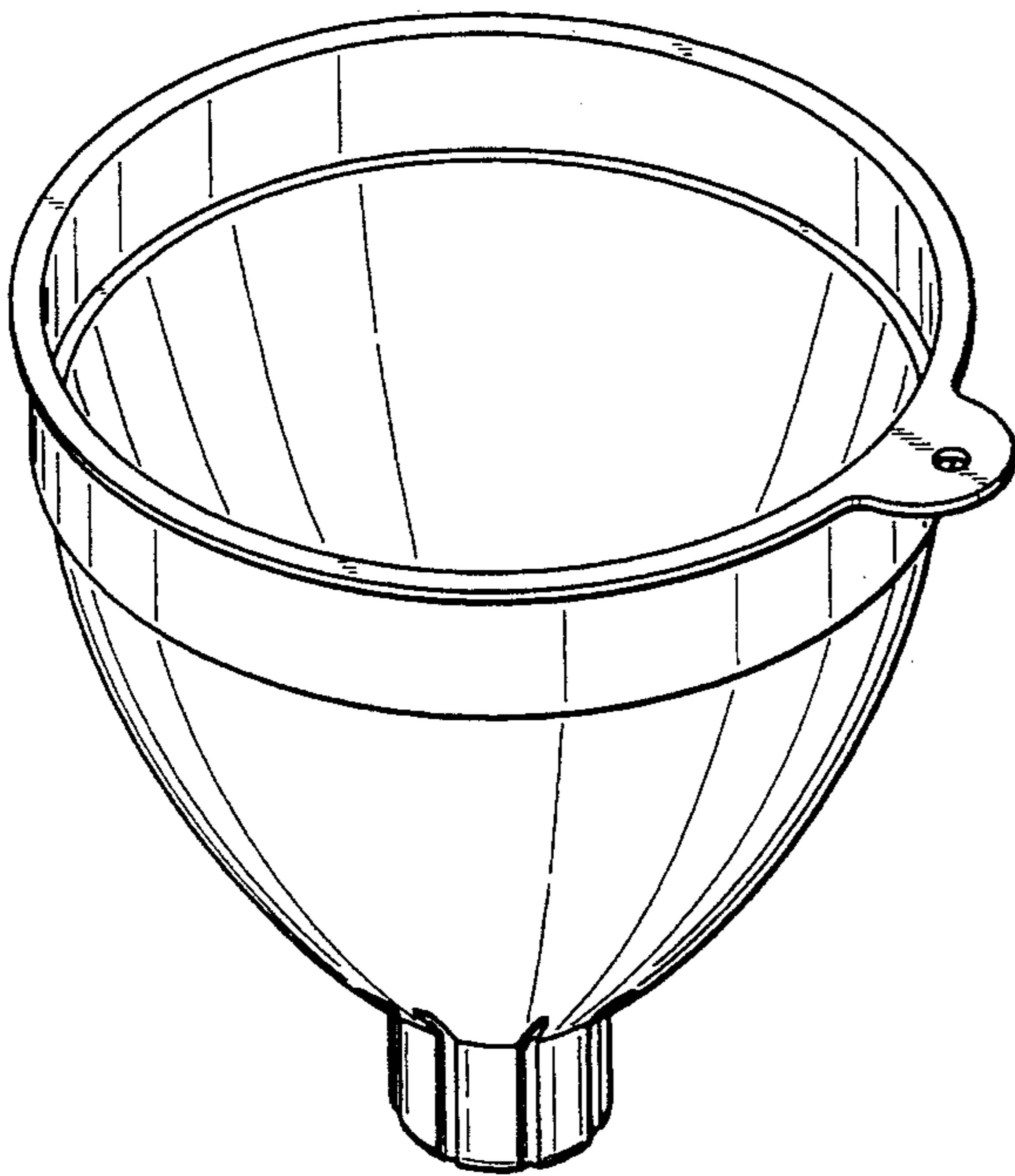
FIG. 3 is a front elevation view thereof;

FIG. 4 is a rear elevation view thereof;

FIG. 5 is a top plan view thereof; and,

FIG. 6 is a bottom plan view thereof.

1 Claim, 3 Drawing Sheets



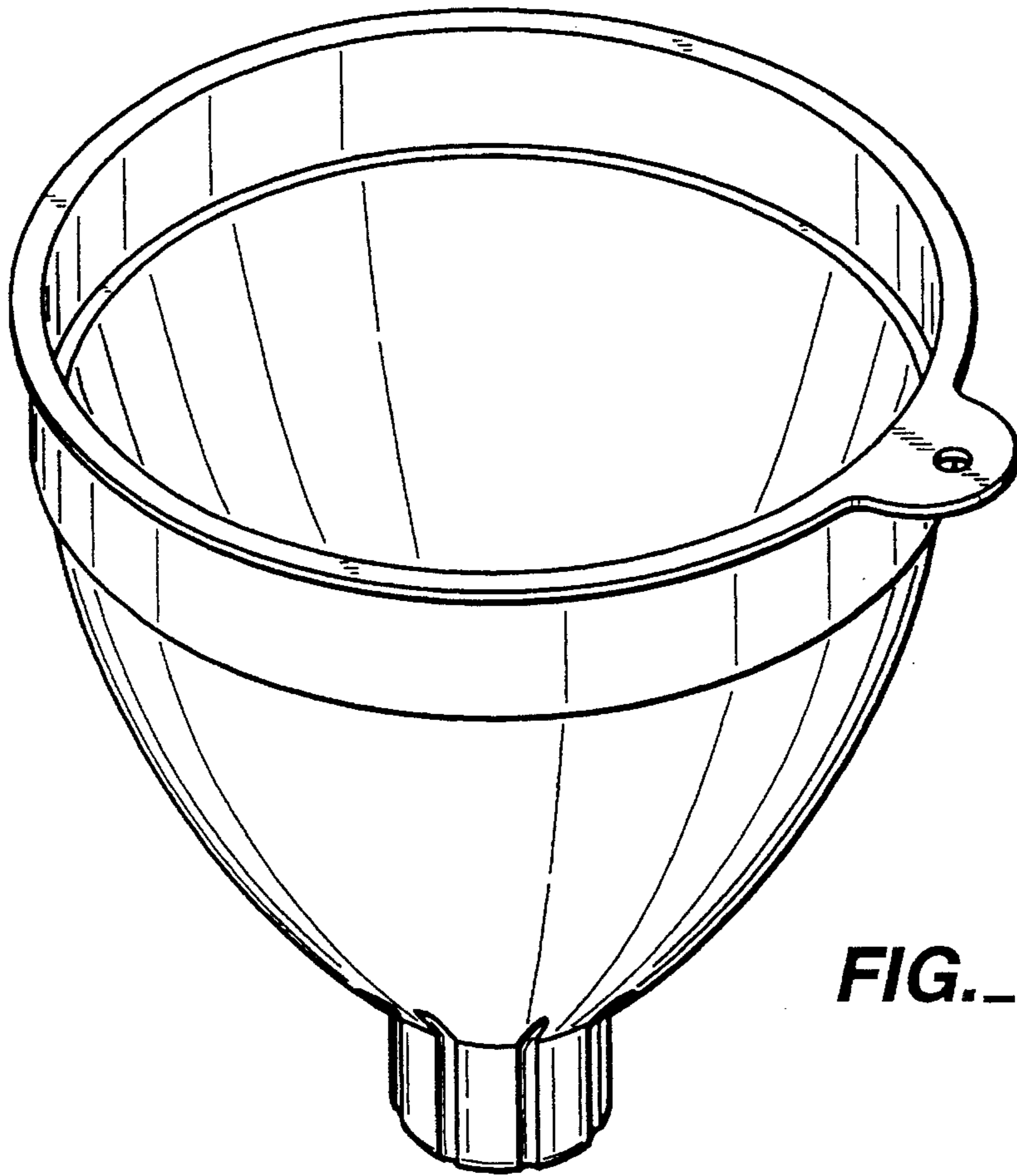


FIG. 1

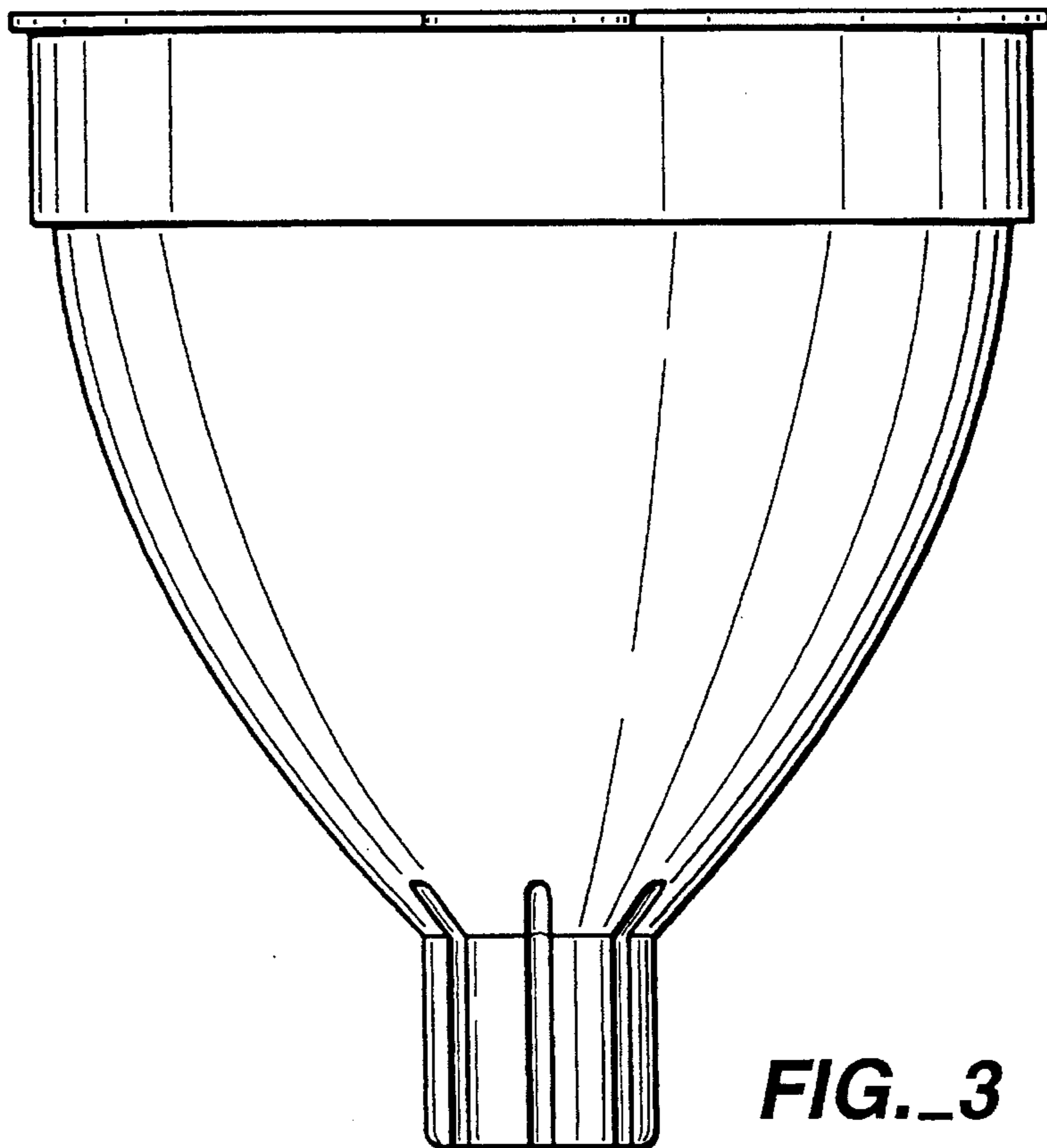


FIG. 3

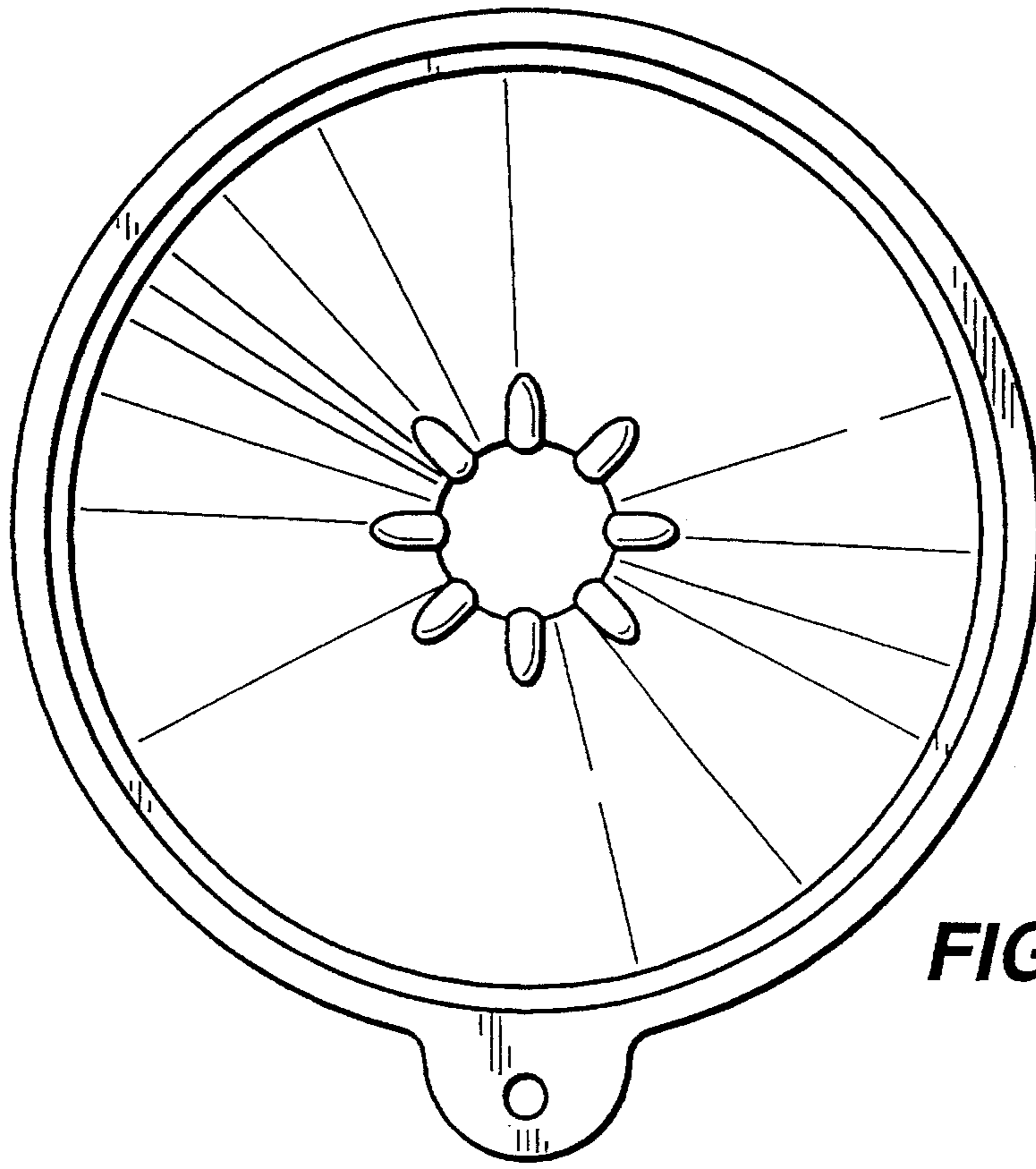


FIG. 5

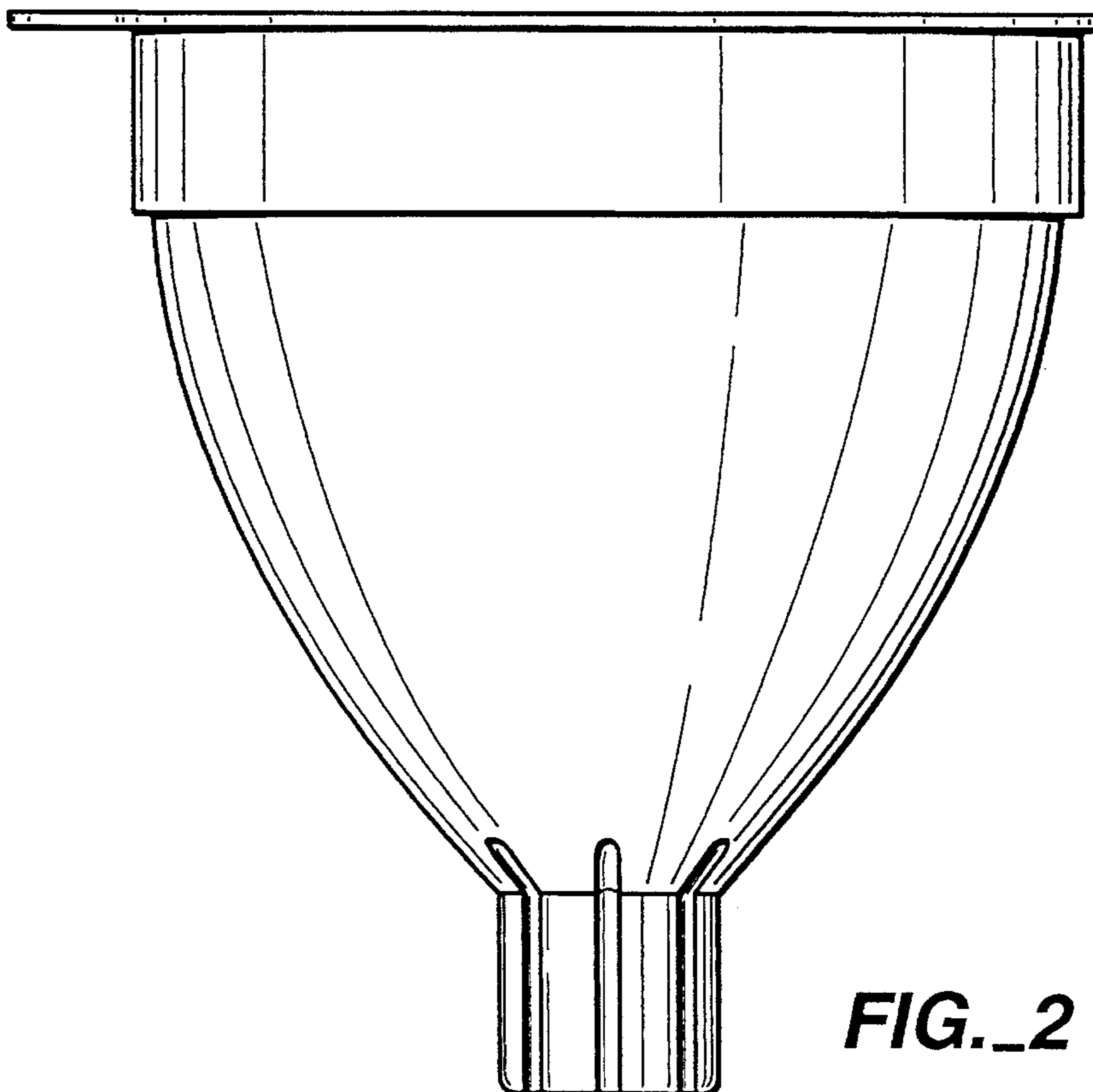


FIG. 2

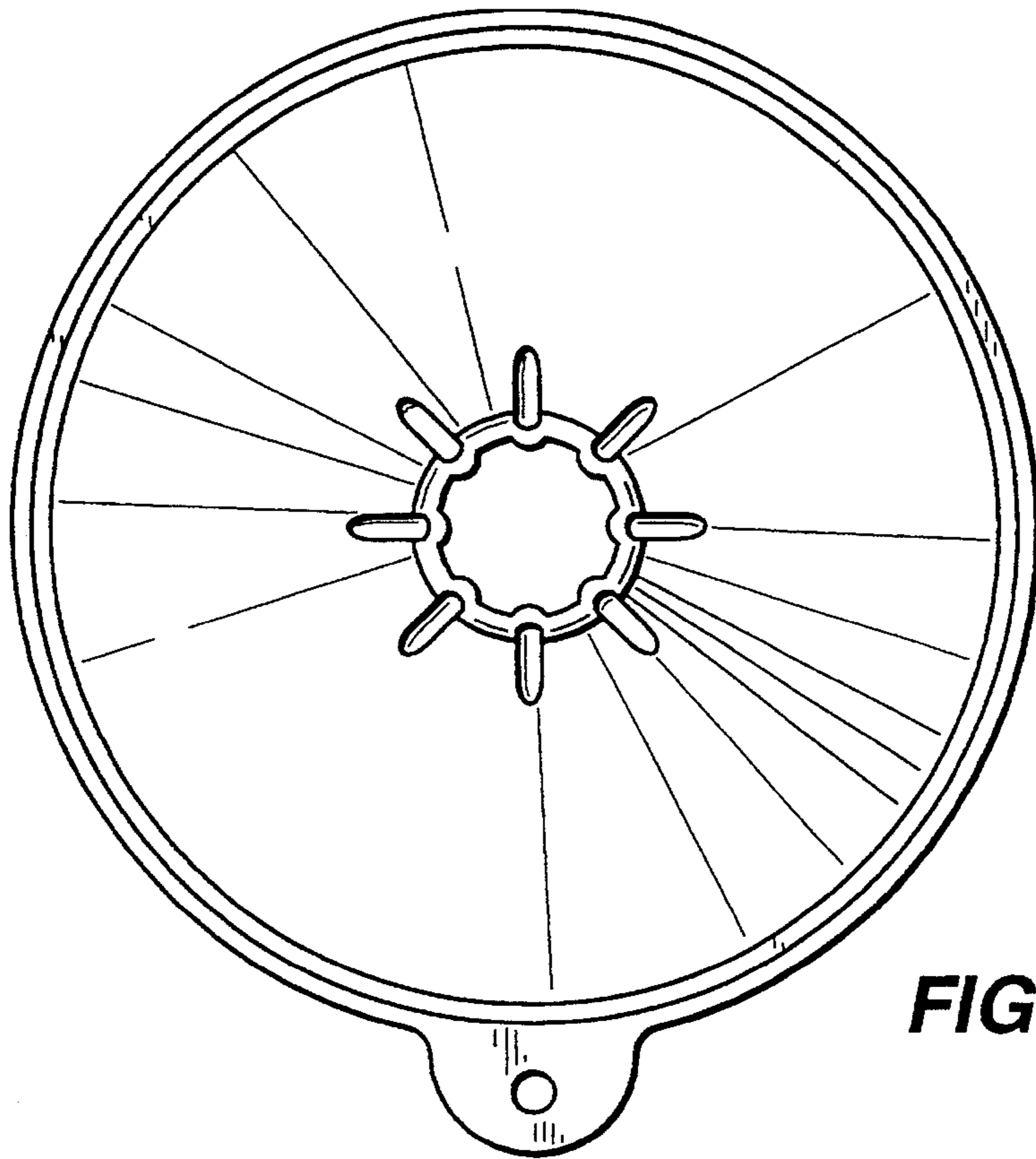


FIG._6

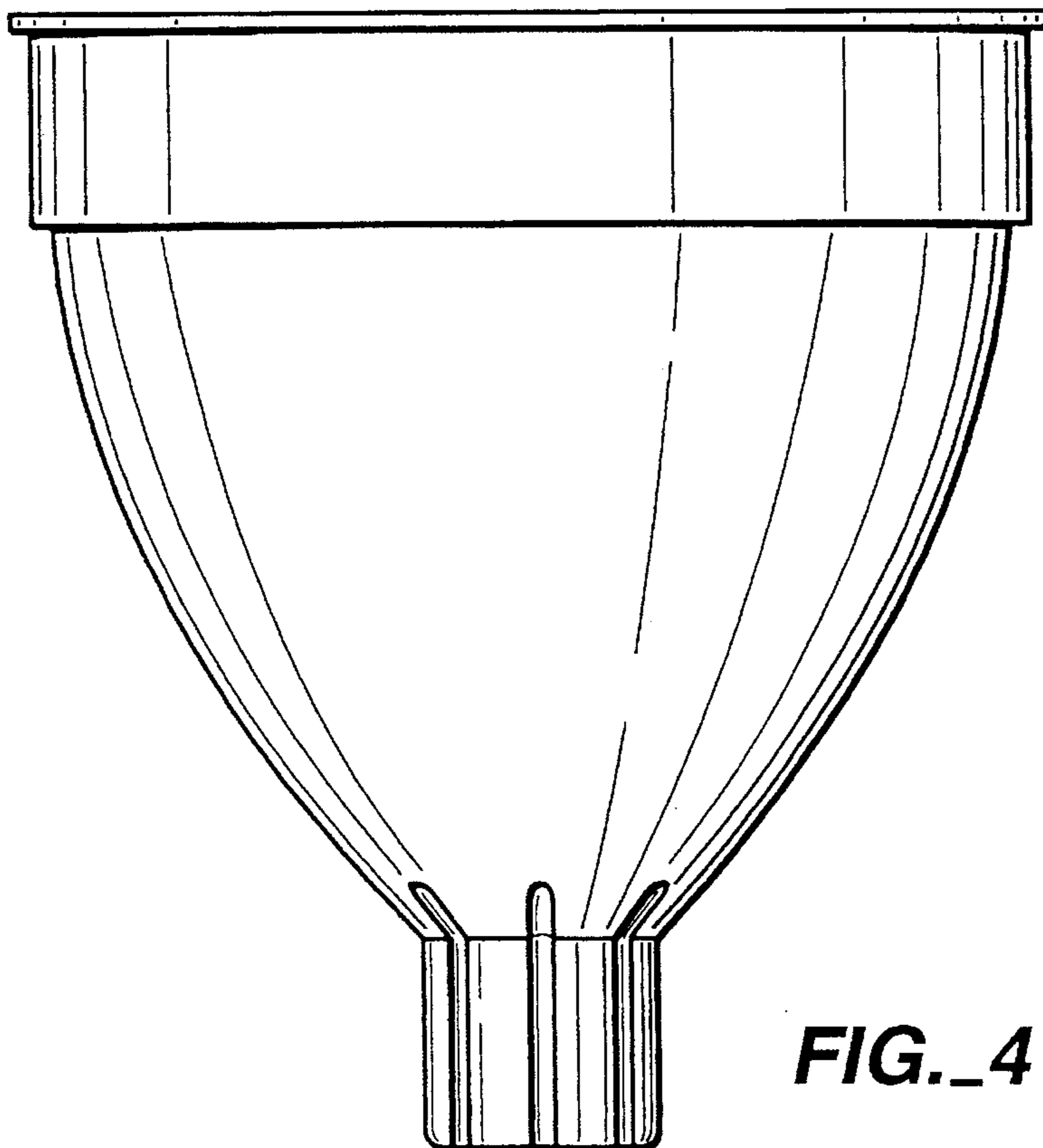


FIG._4