



US00D375877S

United States Patent [19]

[11] **Patent Number: Des. 375,877**

Dotson et al.

[45] **Date of Patent: **Nov. 26, 1996**

[54] **FISH CLEANING BOARD**

DESCRIPTION

[76] Inventors: **Don Dotson**, 5019 Constitution Ave., Colorado Springs, Colo. 80915; **Ian Barker**, 567 Newcastle St., West Perth, Australia, 6005

FIG. 1 is an exploded perspective view of a fish cleaning board showing my new design;

[**] Term: **14 Years**

FIG. 2 is a side elevation view of the right side of the embodiment of FIG. 1, with the clamping section raised;

[21] Appl. No.: **14,410**

FIG. 3 is a side elevation view of the right side of the embodiment of FIG. 1, with the clamping section lowered;

[22] Filed: **Oct. 20, 1993**

FIG. 4 is a side elevation view of the left side of the embodiment of FIG. 1, with the clamping section raised;

[52] U.S. Cl. **D7/698**

FIG. 5 is a side elevation view of the left side of the embodiment of FIG. 1 with the clamping section lowered;

[58] Field of Search D7/698, 550; 269/289 R, 269/291, 302.1, 303, 315, 900

FIG. 6 is an end elevation view of the embodiment of FIG. 1 with the clamping section lowered;

[56] **References Cited**

U.S. PATENT DOCUMENTS

D. 326,211	5/1992	Allen	D7/698
D. 352,427	11/1994	Burd	D7/698
926,582	6/1909	Meredith, Jr.	269/289 R X
3,908,231	9/1975	Price et al.	269/302.1 X
4,017,063	4/1977	Brusich	269/302.1

FIG. 7 is an end elevation view of the embodiment of FIG. 1 with the clamping section lowered, taken from the end opposite the view shown in FIG. 6;

Primary Examiner—James M. Gandy
Assistant Examiner—Caron D. Veynar
Attorney, Agent, or Firm—Nims, Howes, Collison, Hansen & Lackert

FIG. 8 is a bottom perspective view of the embodiment of FIG. 1 without the attachment for ease of illustration;

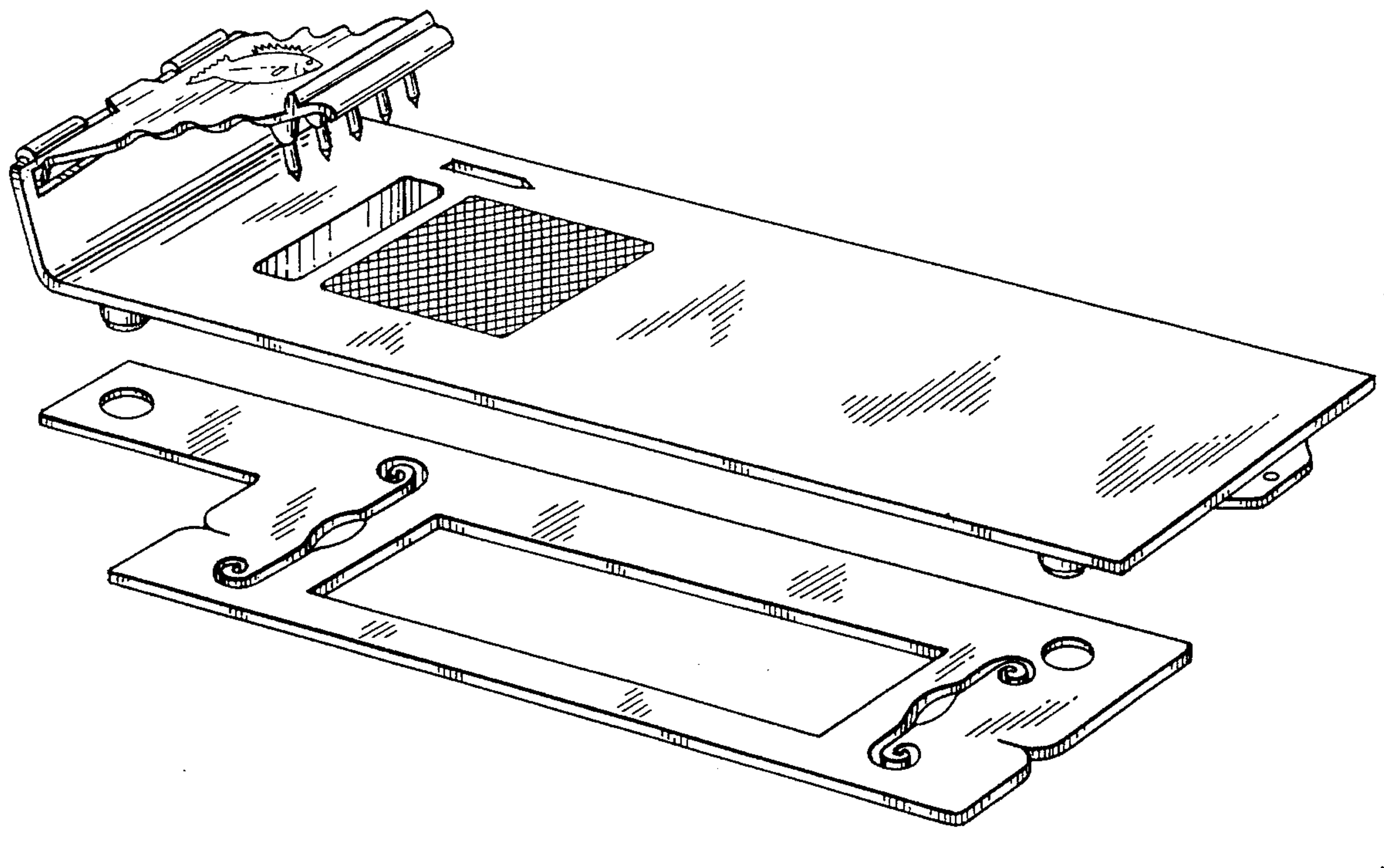
FIG. 9 is a bottom perspective view, the broken line showing of a knife handle is for illustrative purposes only and forms no part of the claimed design; and,

FIG. 10 is a top plan view of the embodiment of FIG. 1 with the garbage bag holder attachment in its storage position and with the clamping section lowered.

[57] **CLAIM**

The ornamental design for a fish cleaning board, as shown.

1 Claim, 7 Drawing Sheets



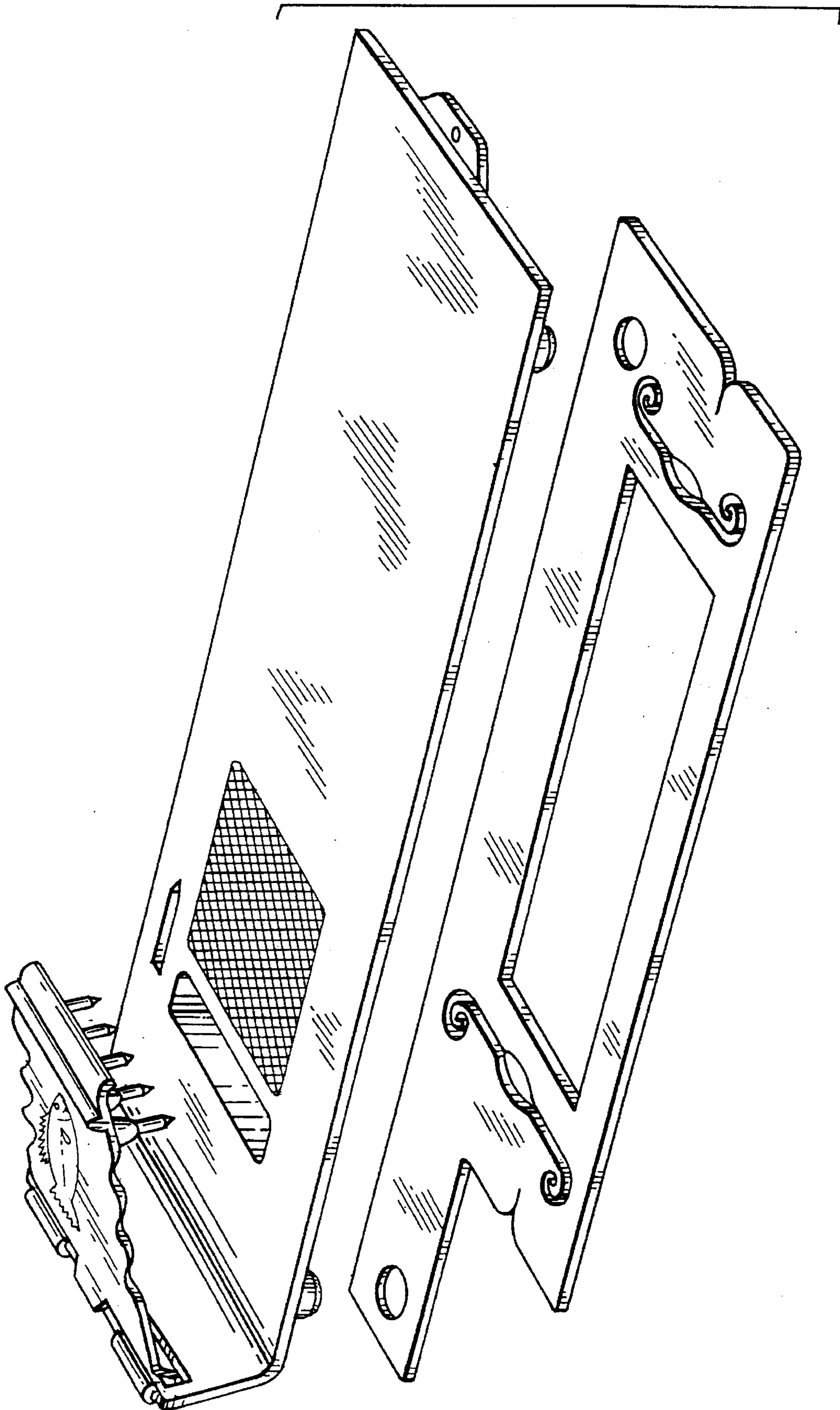


FIG. 1

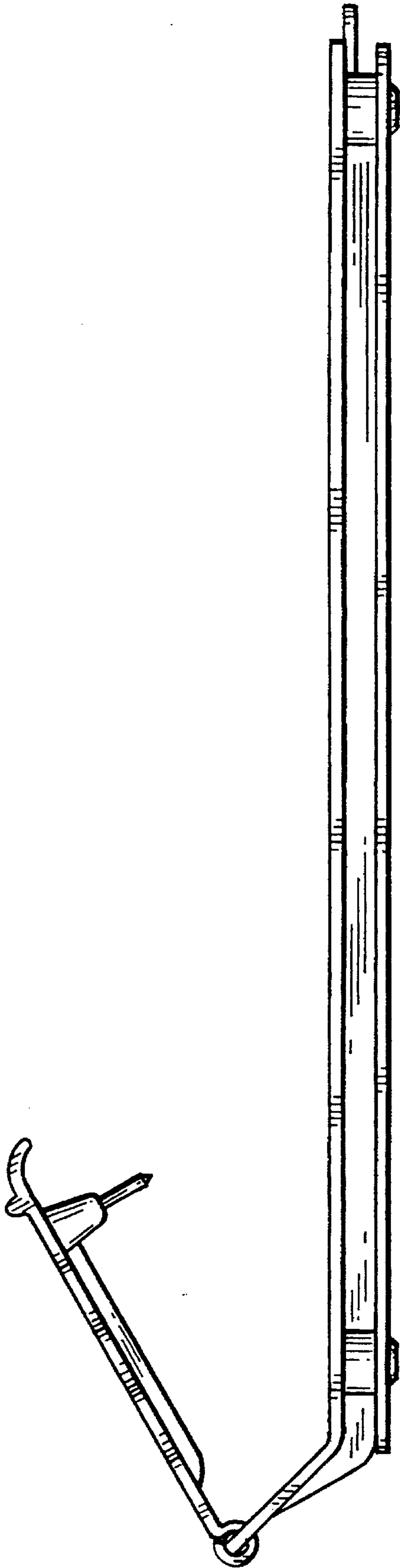


FIG. 2

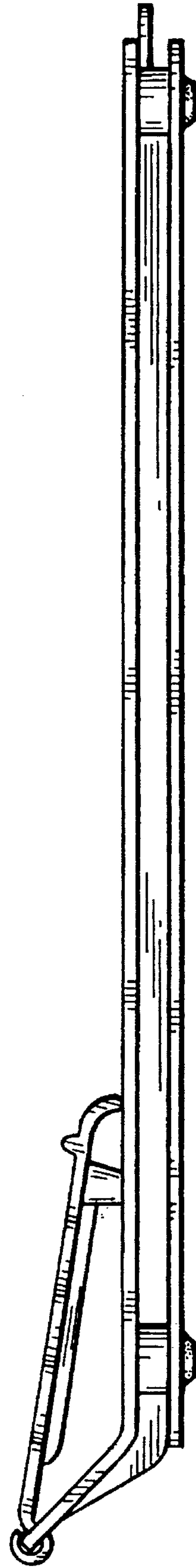


FIG. 3

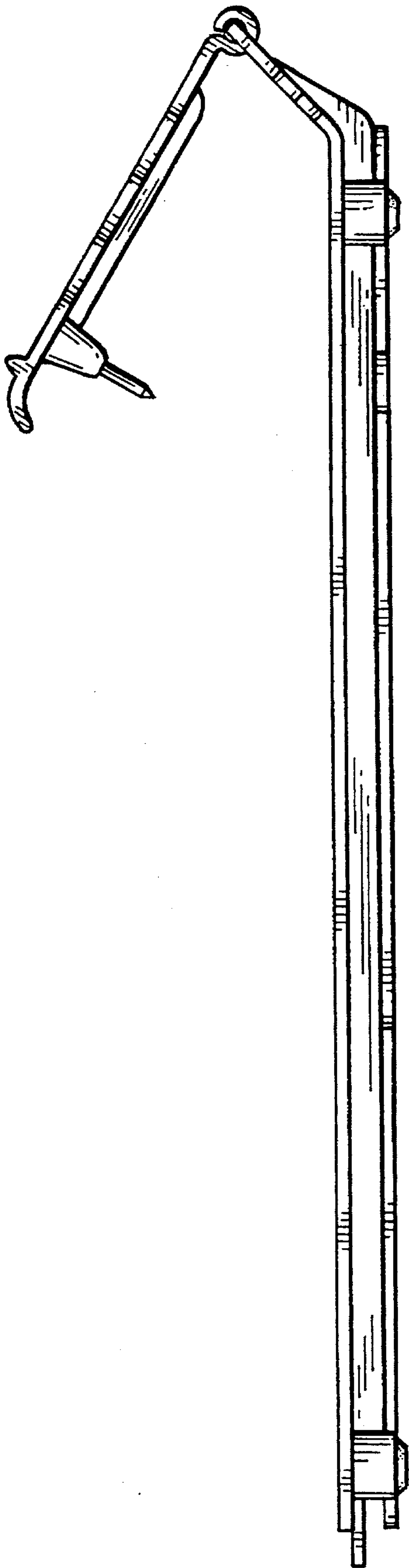


FIG. 4

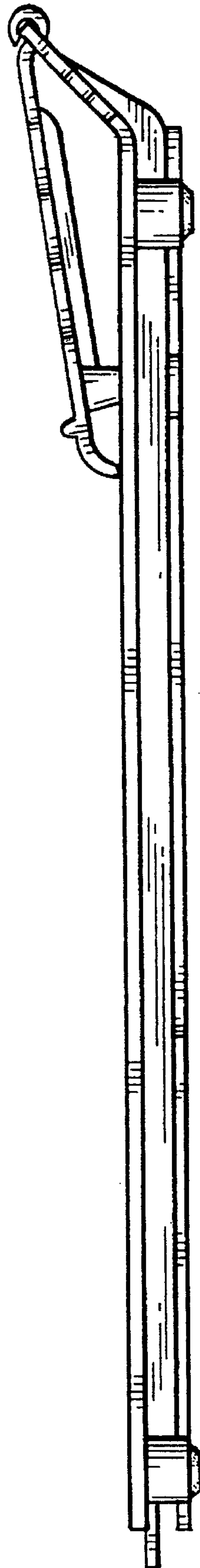


FIG. 5

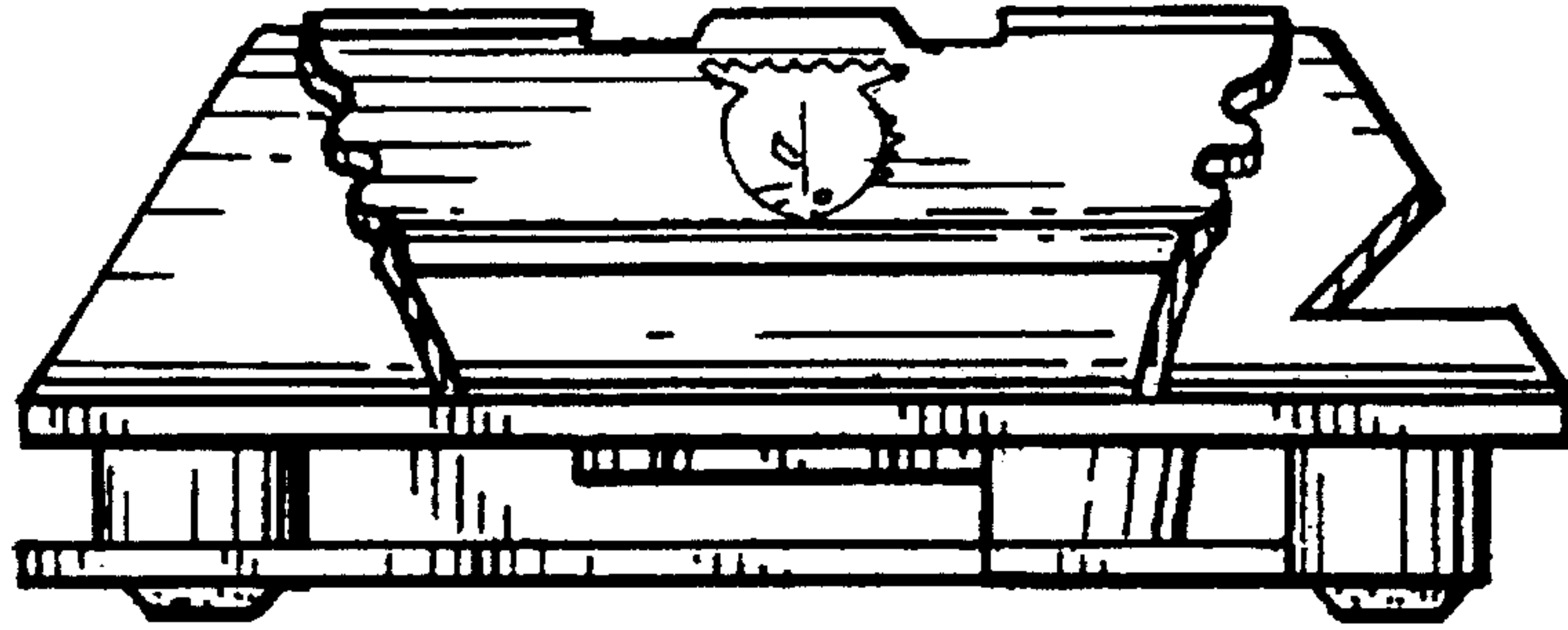


FIG. 6

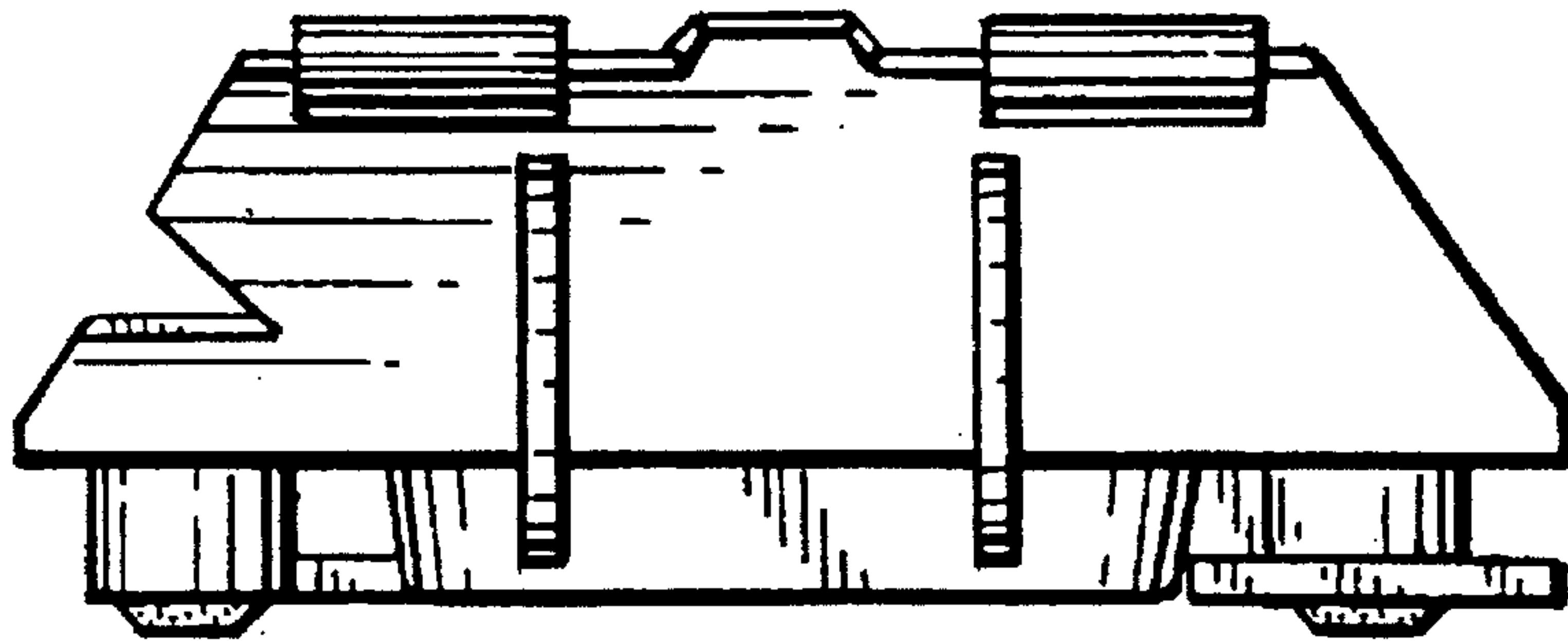


FIG. 7

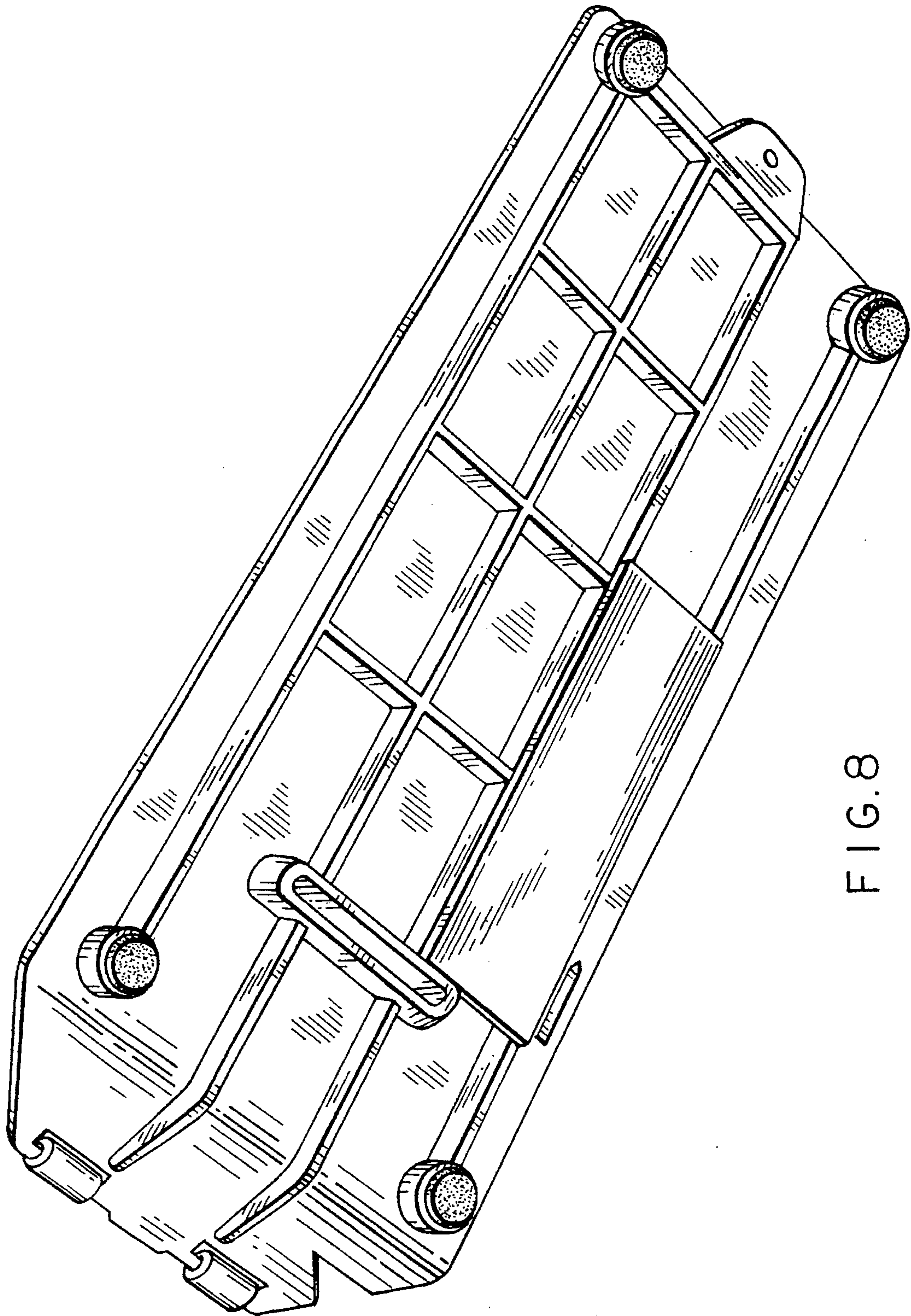


FIG. 8

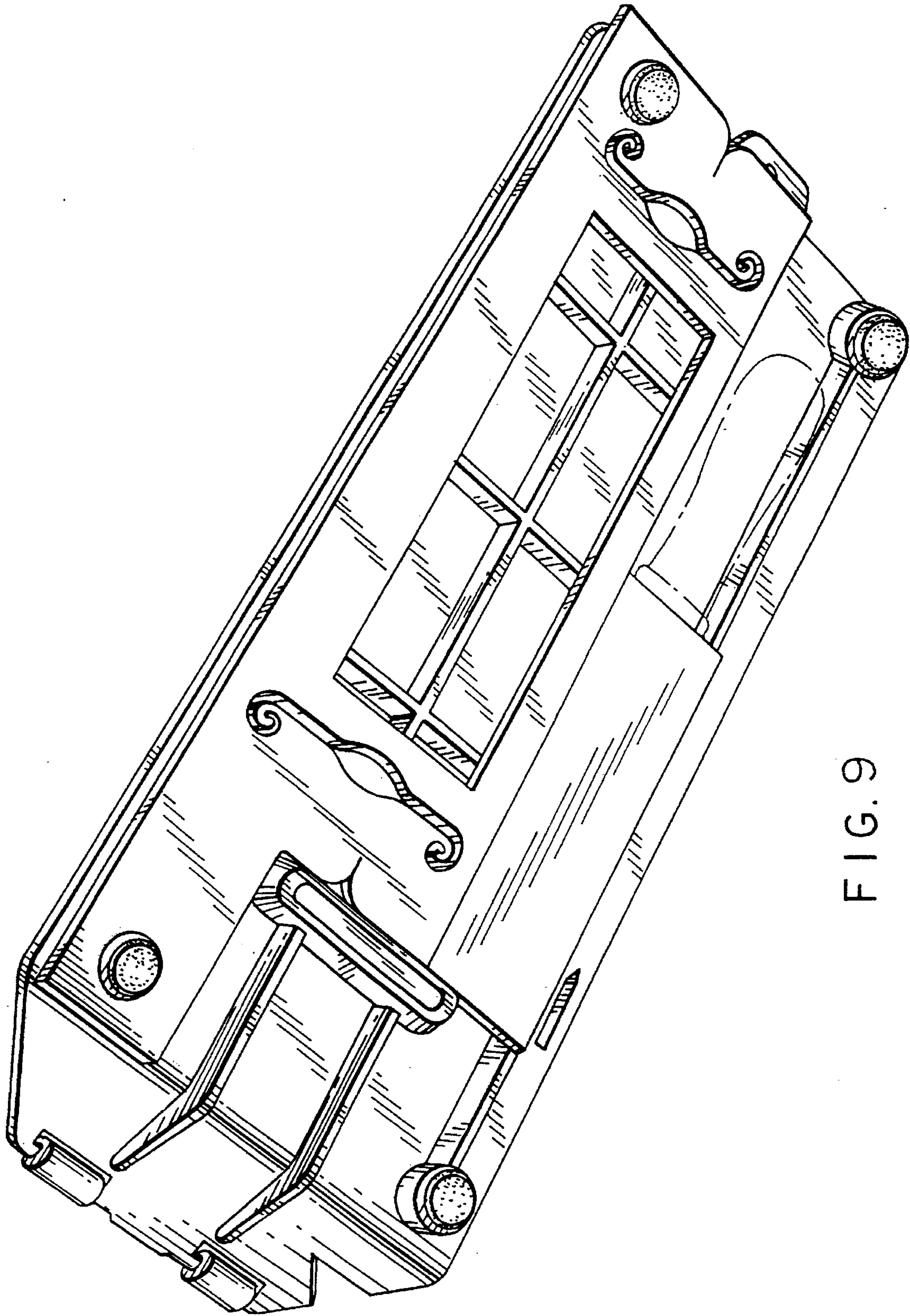


FIG. 9

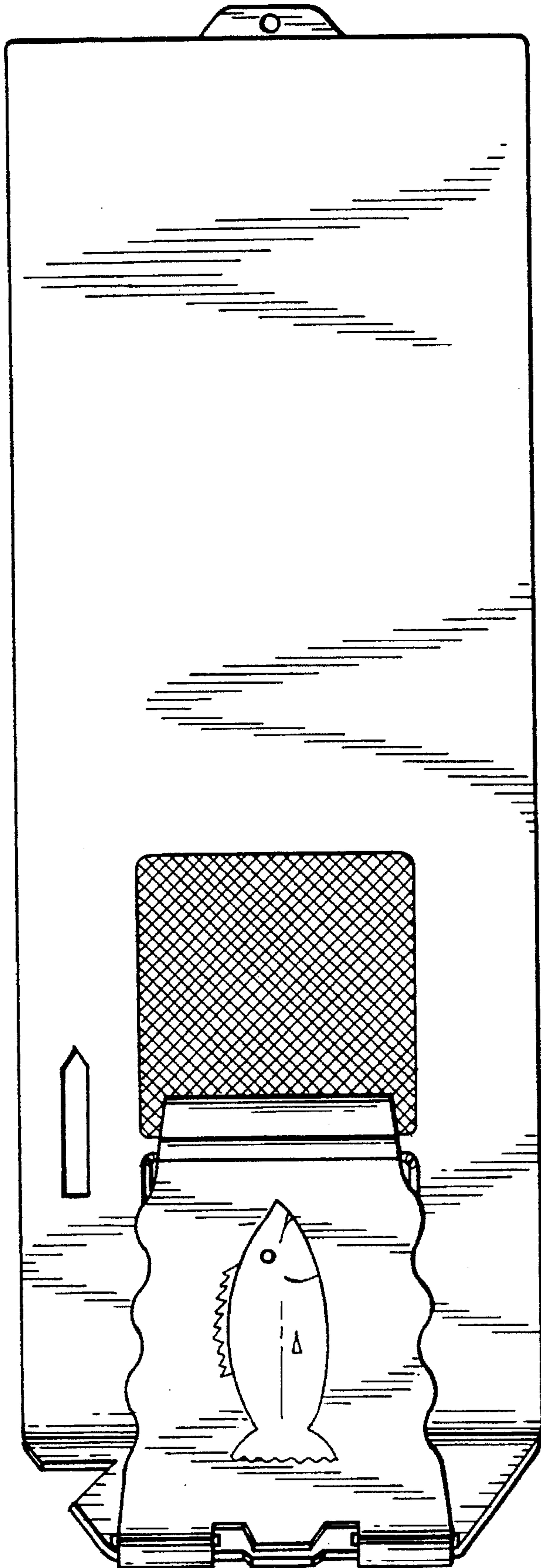


FIG.10