



US00D375875S

United States Patent [19]

Hutzler et al.

[11] Patent Number: **Des. 375,875**

[45] Date of Patent: ****Nov. 26, 1996**

[54] **BASTER**

D. 335,069 4/1993 Capellan D7/669
4,254,700 3/1981 Fleming 99/532

[75] Inventors: **Lawrence Hutzler**, Canaan, Conn.;
Paul Heling, Solingen-Wald, Germany

Primary Examiner—Terry A. Wallace
Attorney, Agent, or Firm—Michael J. Striker

[73] Assignee: **Hutzler Manufacturing Company, Inc.**, Canaan, Conn.

[57] **CLAIM**

[**] Term: **14 Years**

The ornamental design for a baster, as shown and described.

[21] Appl. No.: **21,399**

DESCRIPTION

[22] Filed: **Apr. 15, 1994**

[52] U.S. Cl. **D7/669**

[58] Field of Search D7/669; 99/345,
99/532

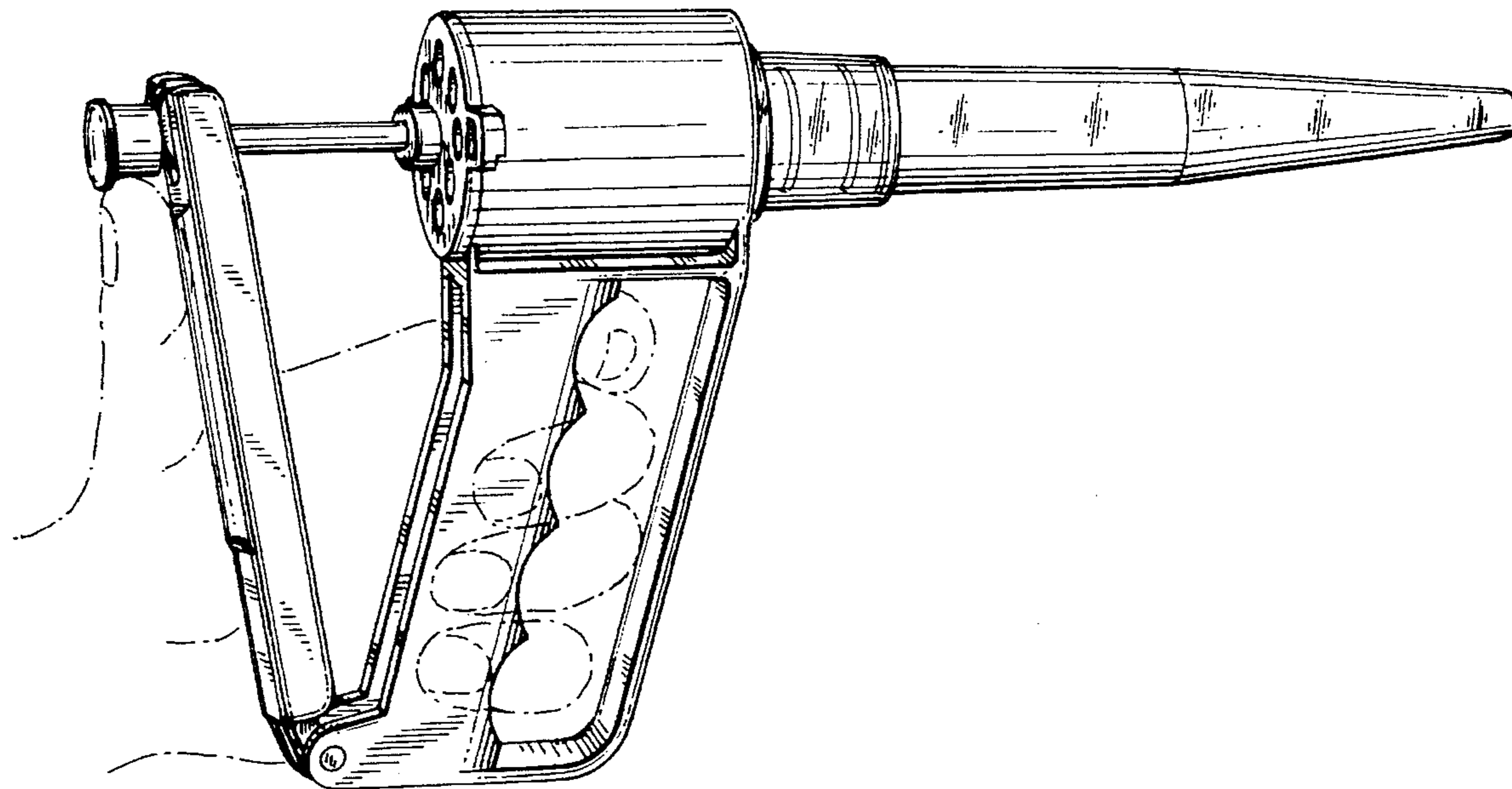
FIG. 1 is a left side perspective view of a baster showing our new design, the hand shown in broken lines for illustrative purposes only and forms no part of the claimed design; FIG. 2 is a front elevation view thereof; FIG. 3 is a top plan view thereof; FIG. 4 is a bottom plan view thereof; FIG. 5 is a right side elevation view thereof; and, FIG. 6 is a rear elevation view thereof.

[56] **References Cited**

U.S. PATENT DOCUMENTS

D. 247,414 3/1978 Watkins D7/669 X
D. 263,271 3/1982 Kalb D7/669

1 Claim, 3 Drawing Sheets



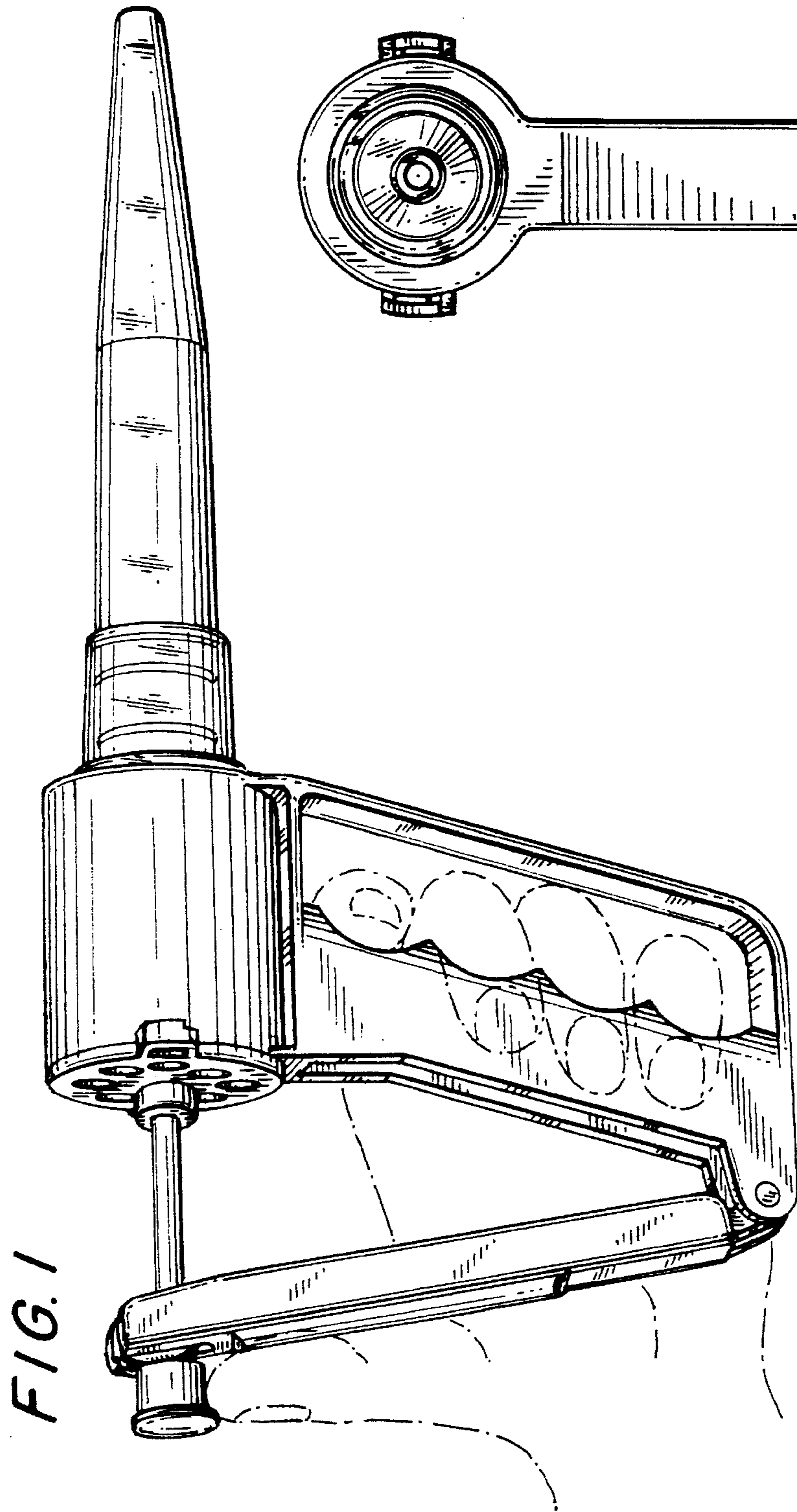


FIG. 1

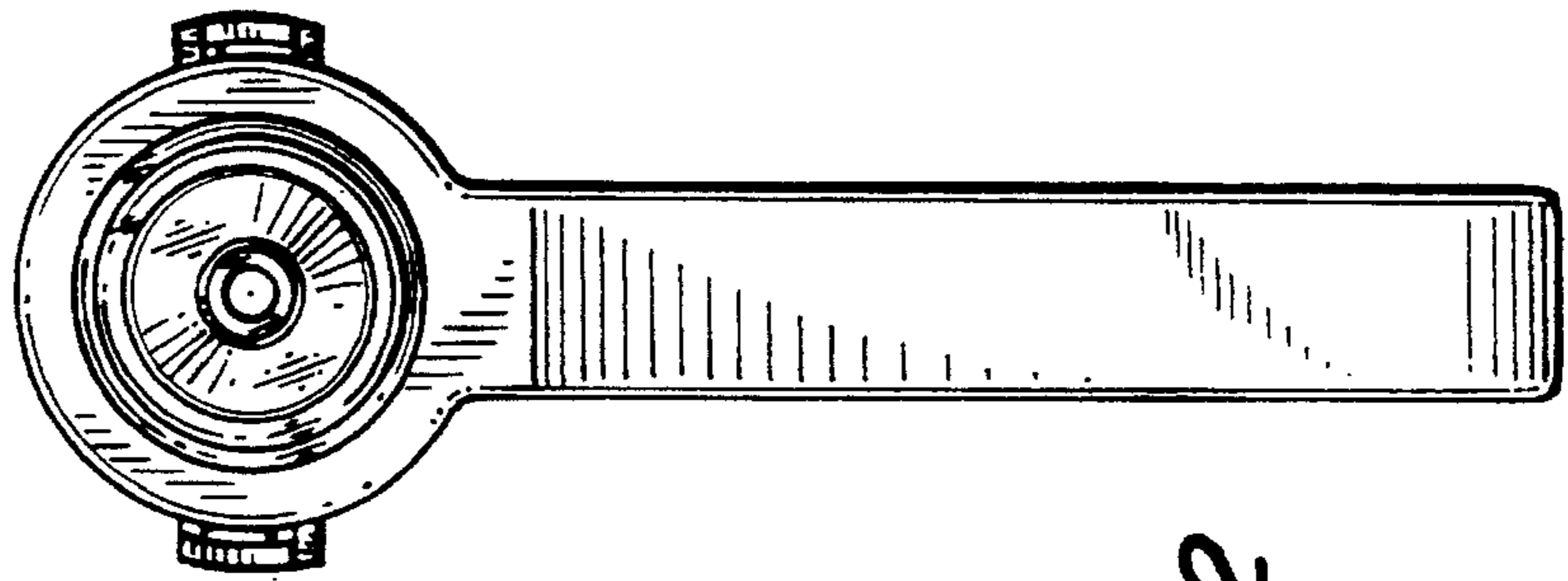


FIG. 2

FIG. 3

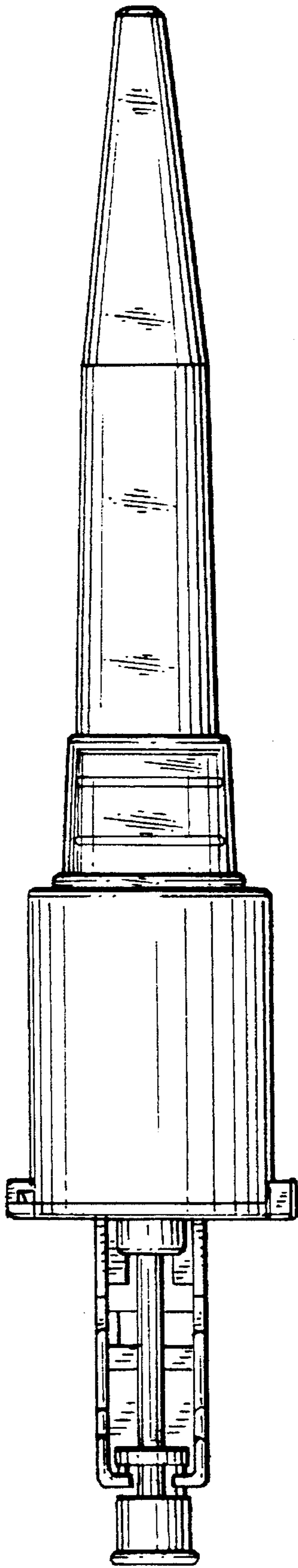
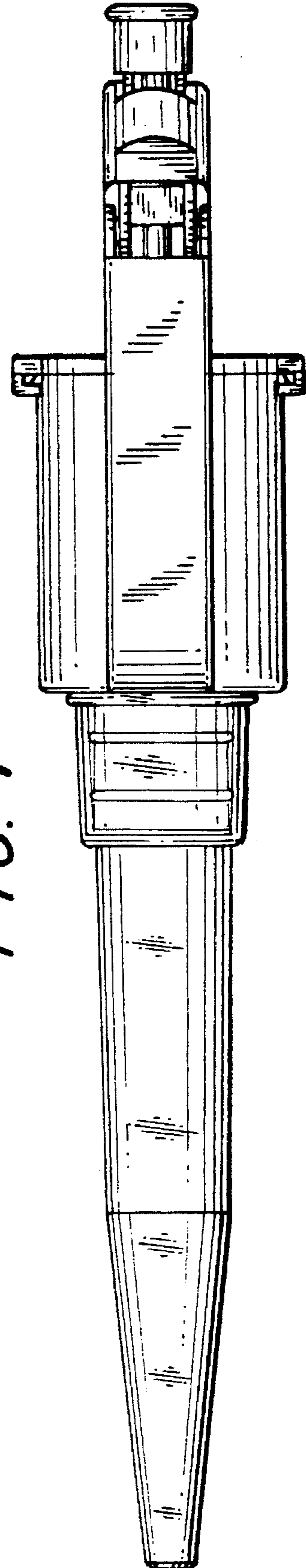


FIG. 4



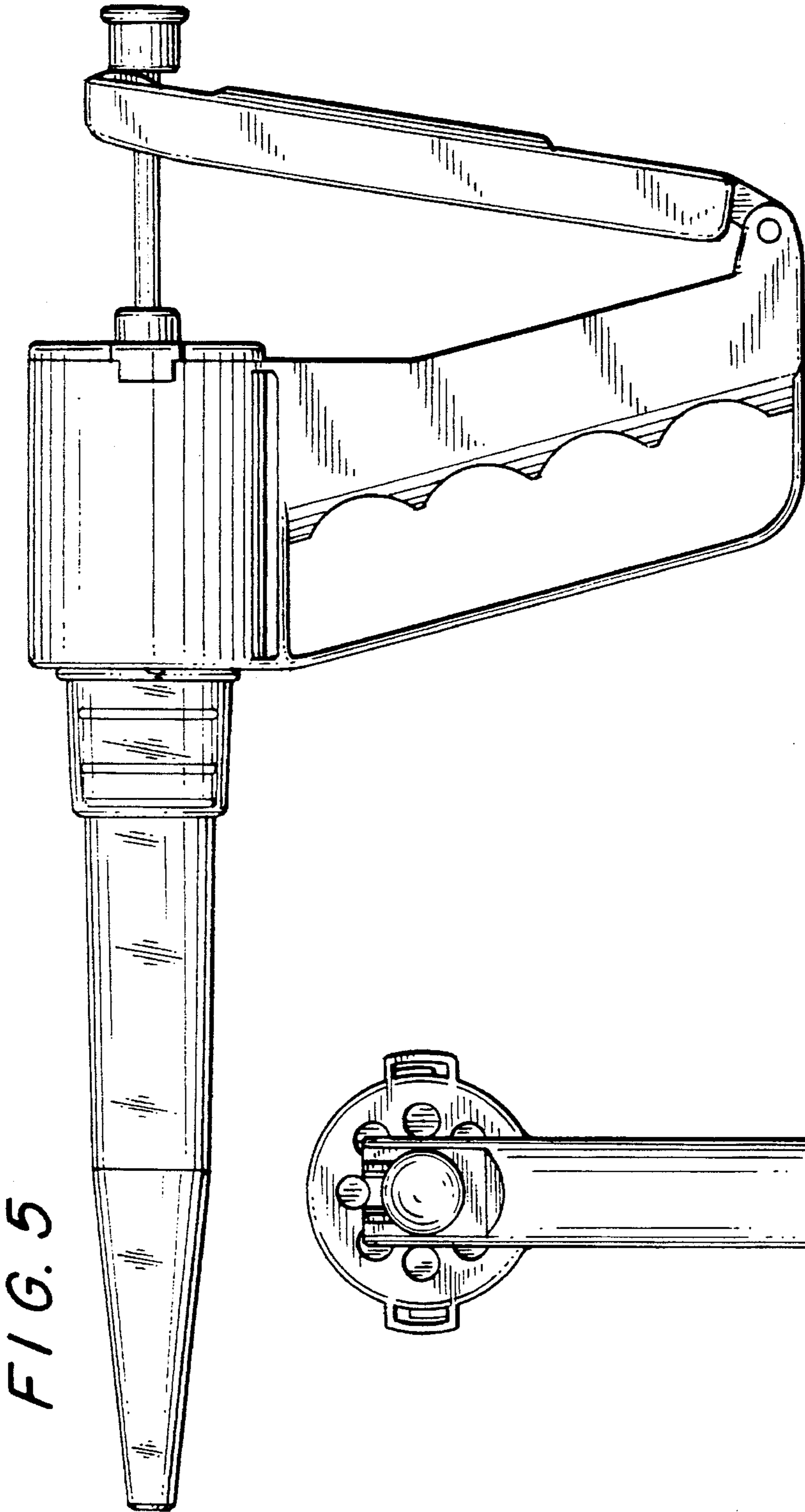


FIG. 5

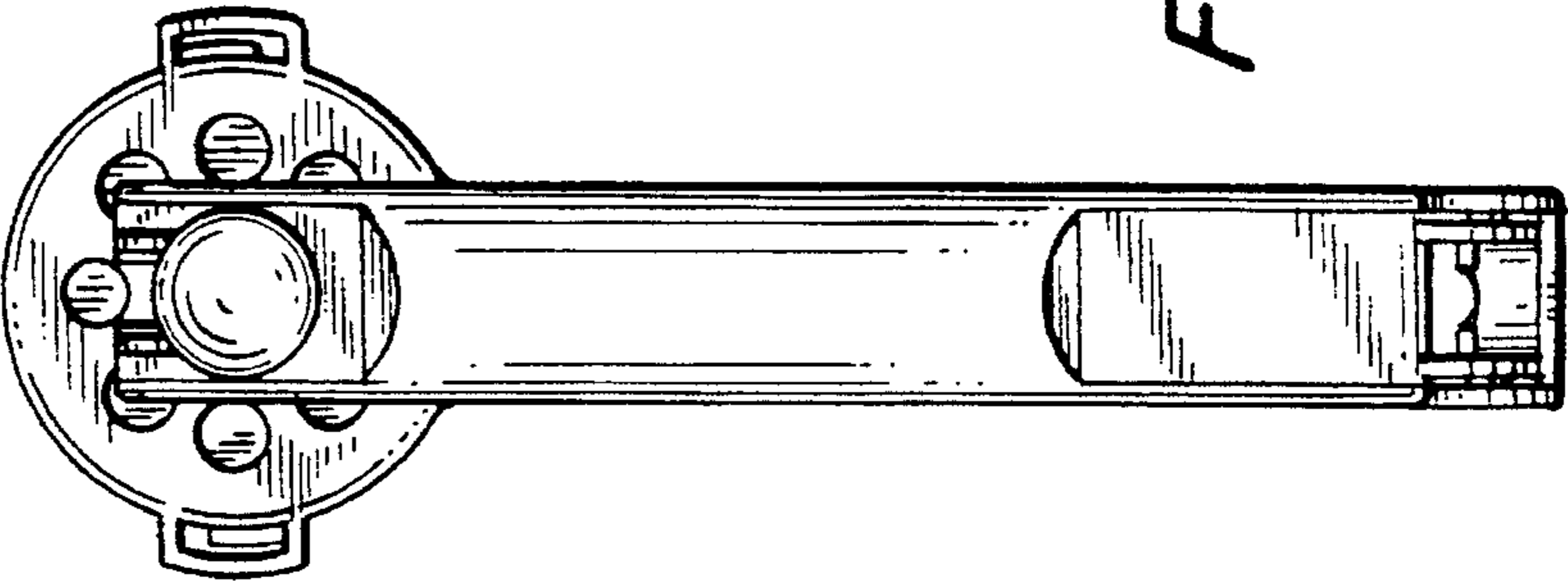


FIG. 6