



US00D375869S

United States Patent [19]

[11] Patent Number: **Des. 375,869**

Canela

[45] Date of Patent: ****Nov. 26, 1996**

[54] CONTAINER WITH BOTTLE OPENER

[76] Inventor: **Heriberto Canela**, 8027 W. 14th Ave.,
Hialeah, Fla. 33014

[**] Term: **14 Years**

2,142,811	1/1939	Agonis	D7/531 X
2,903,818	9/1959	Humke	D7/520 X
2,912,134	11/1959	Kuhlman	D7/535 X
3,080,081	3/1963	Gram	D7/535 X
3,733,021	5/1973	Levin	D7/509 X

FOREIGN PATENT DOCUMENTS

[21] Appl. No.: **48,588**

18512 10/1900 United Kingdom D10/46.2

[22] Filed: **Jan. 4, 1996**

Primary Examiner—M. N. Pandozzi

[52] U.S. Cl. **D7/507; D7/536**

[57] CLAIM

[58] Field of Search D7/534, 509, 301,
D7/511, 510, 506, 507, 514, 515, 533,
536, 531, 535, 623, 523, 624, 630, 619,
520; 220/675, 671, 713; 215/293; D8/34;
D10/46.2

The ornamental design for a container with bottle opener, as shown and described.

DESCRIPTION

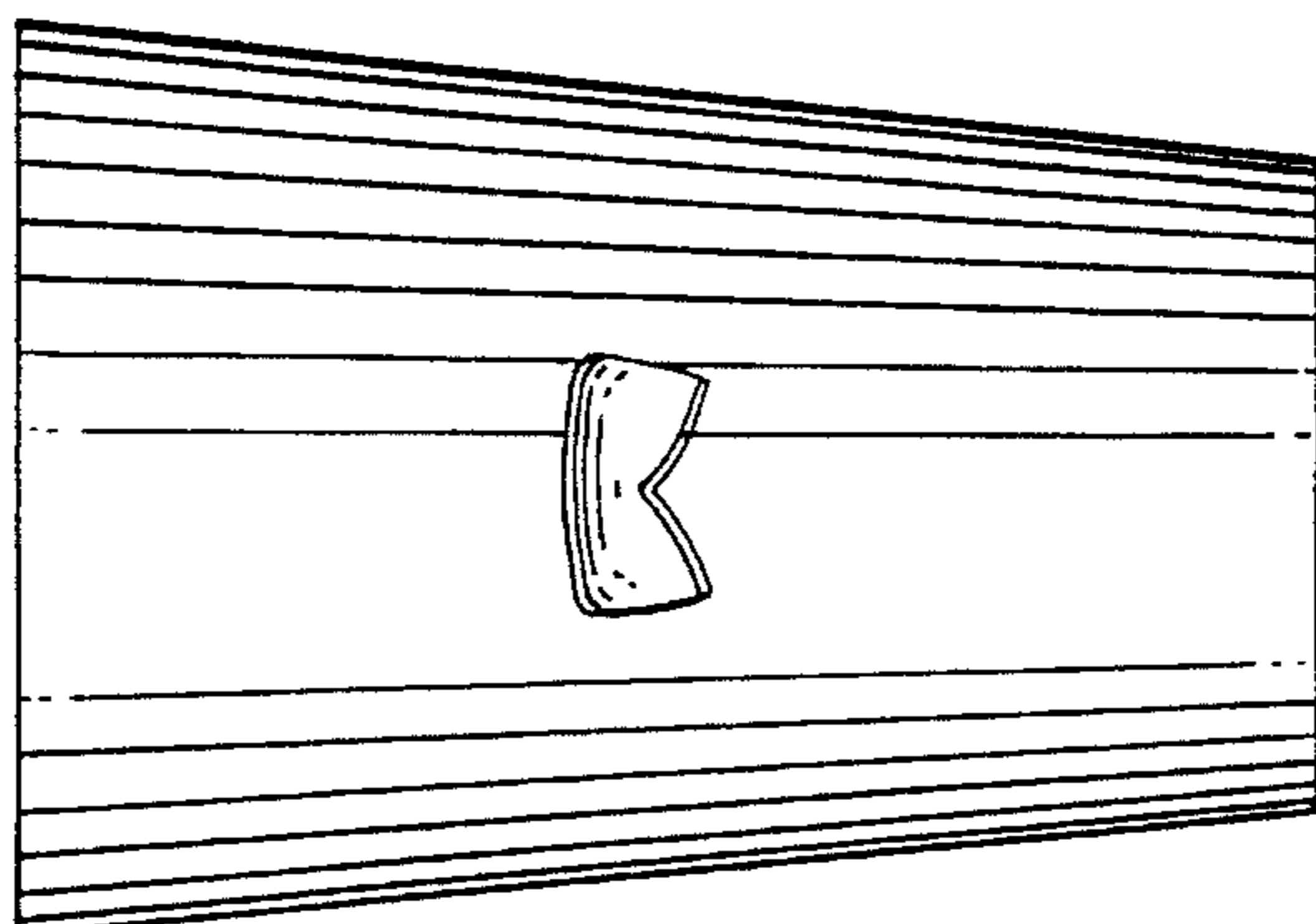
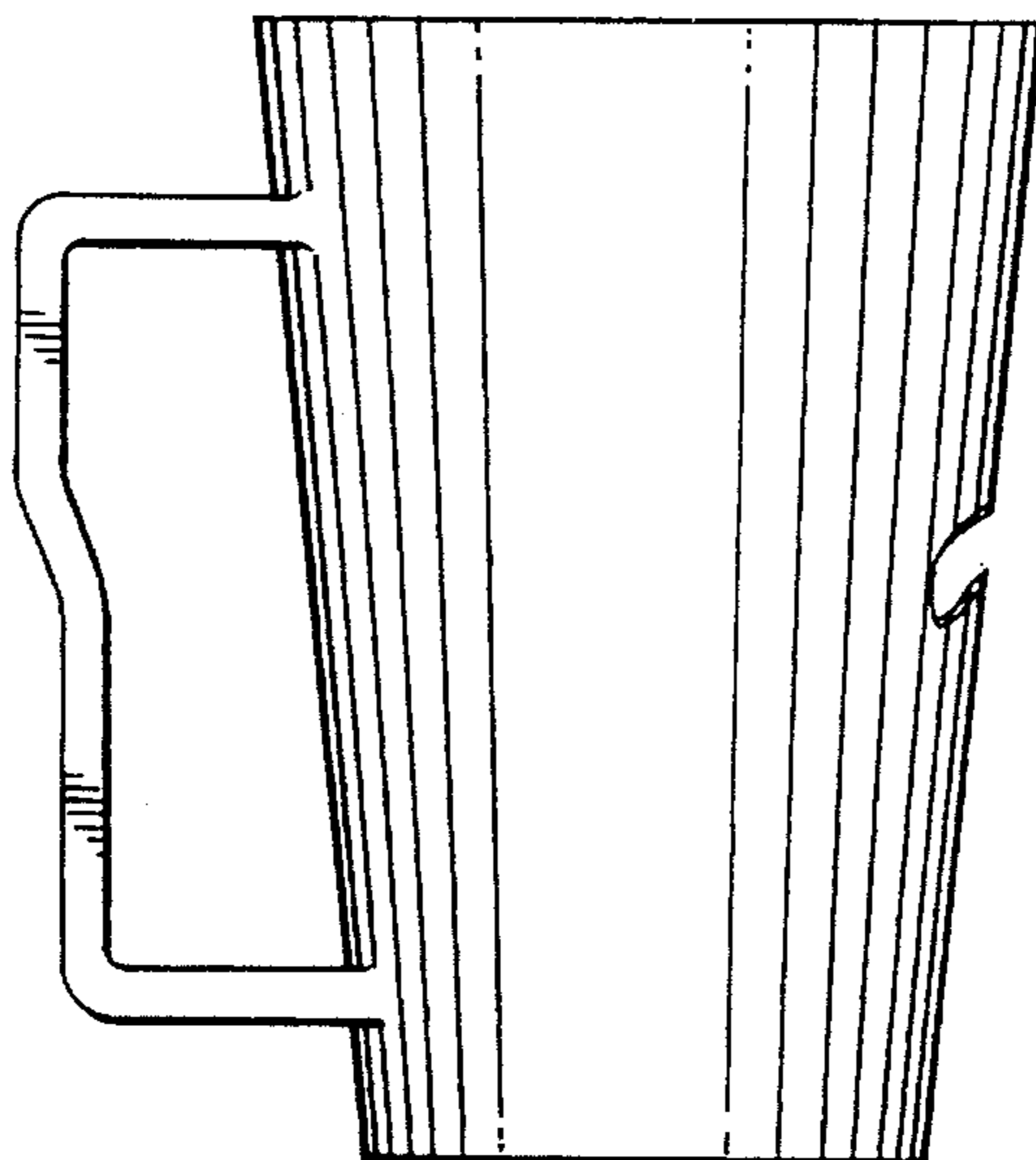
[56] References Cited

U.S. PATENT DOCUMENTS

D. 264,795	6/1982	Strieber	D7/536 X
D. 268,978	5/1983	Strieber	D7/536 X
D. 307,996	5/1990	Demars	D7/507
D. 308,929	7/1990	Greig et al.	D8/34
D. 367,413	2/1996	Ballin	D7/507 X
1,134,354	4/1915	Seifke	D7/509 X

FIG. 1 is a left side elevational view of a container with bottle opener showing my new design;
FIG. 2 is a front elevational view thereof;
FIG. 3 is a rear elevational view thereof;
FIG. 4 is a right side elevational view thereof;
FIG. 5 is a top view thereof; and,
FIG. 6 is a bottom view thereof.

1 Claim, 2 Drawing Sheets



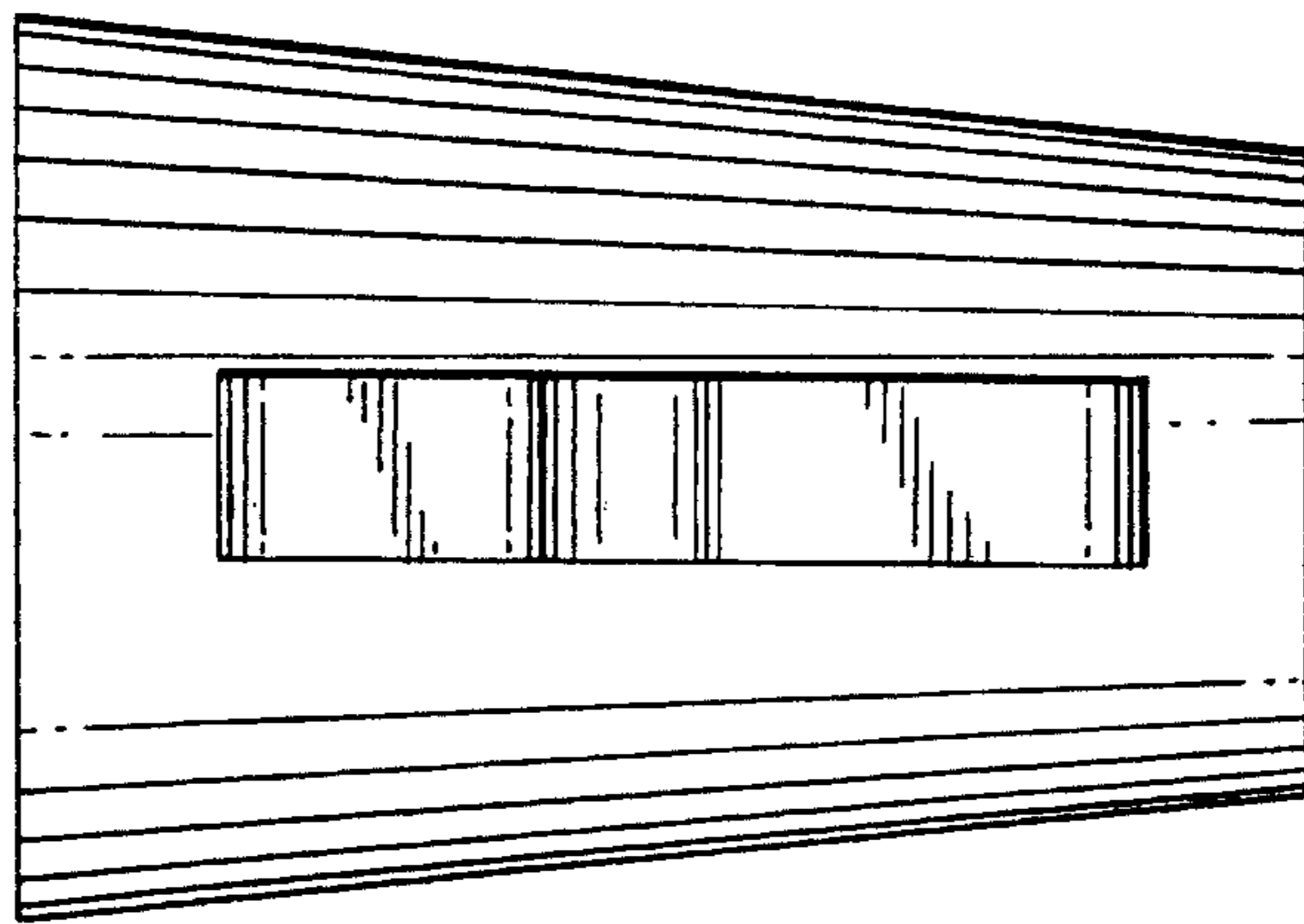


FIG. 1

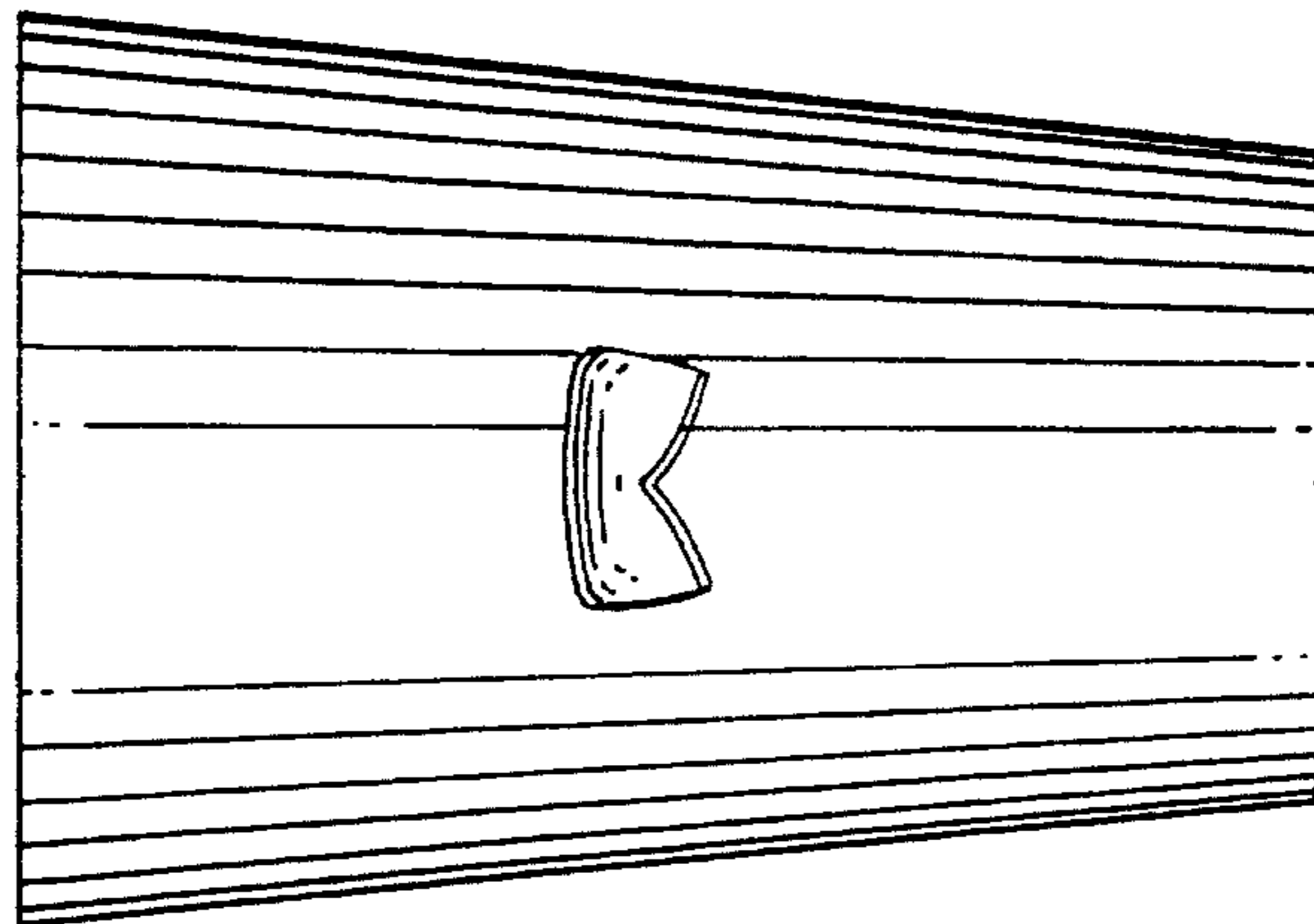


FIG. 2

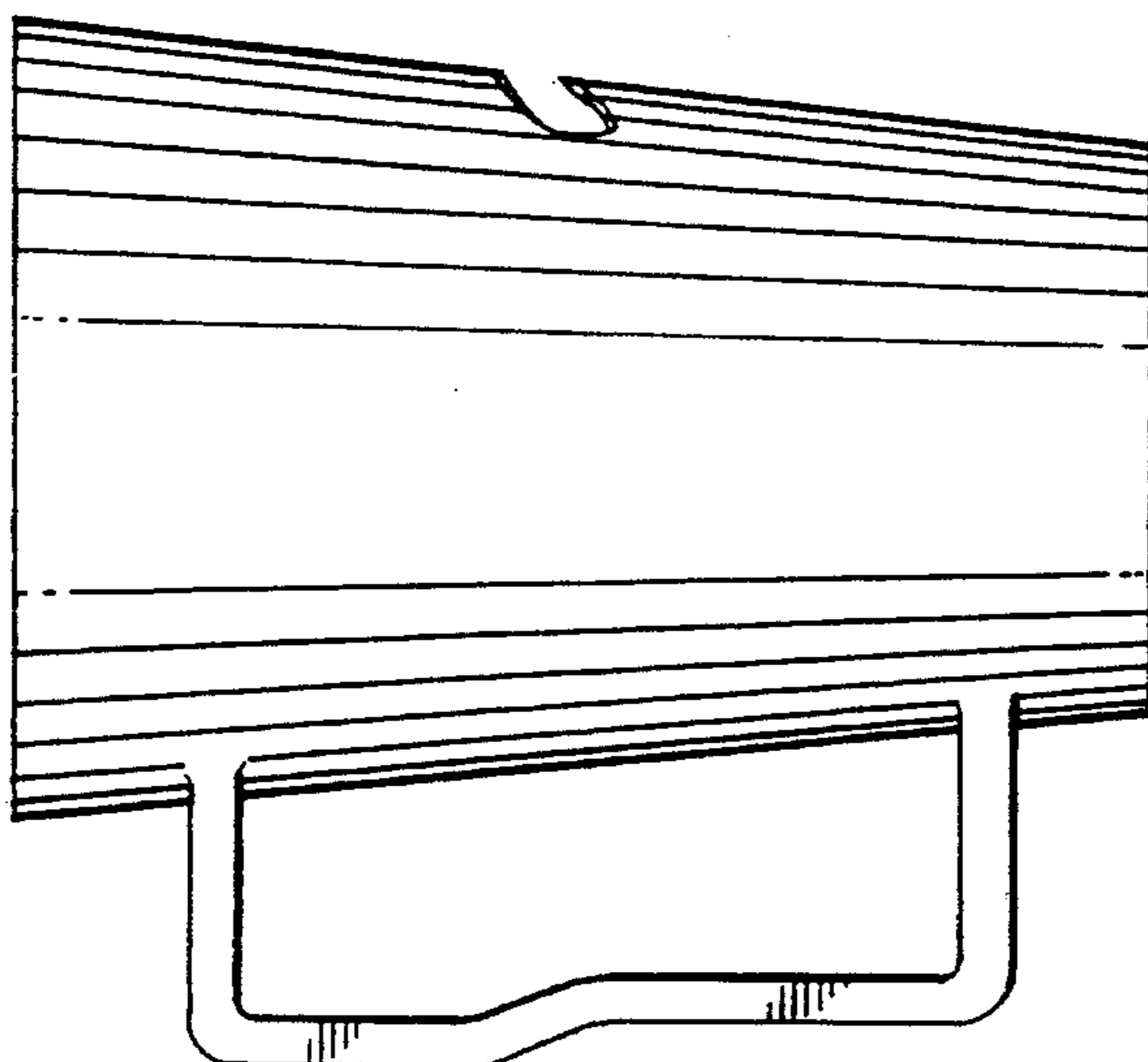


FIG. 3

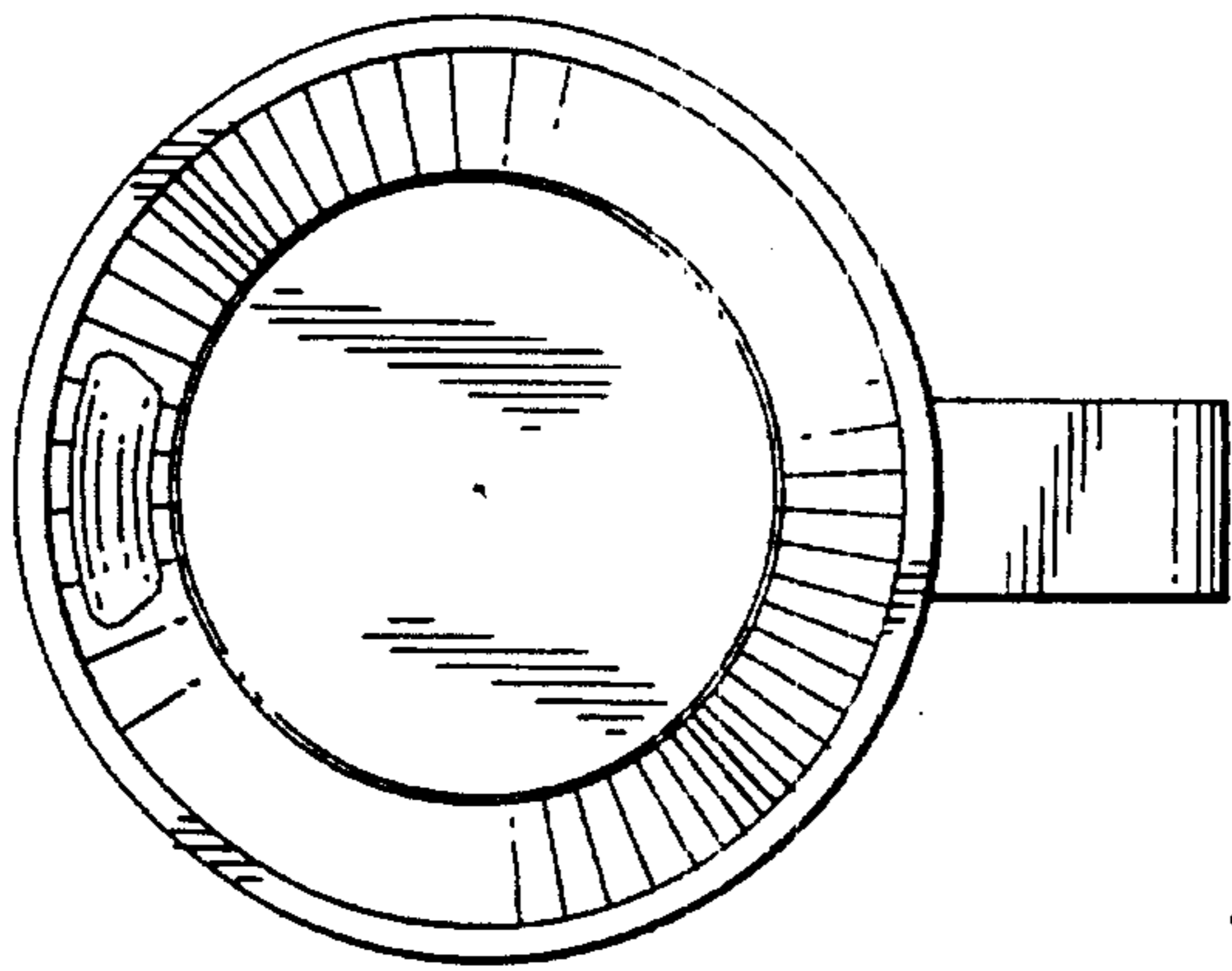


FIG. 5.

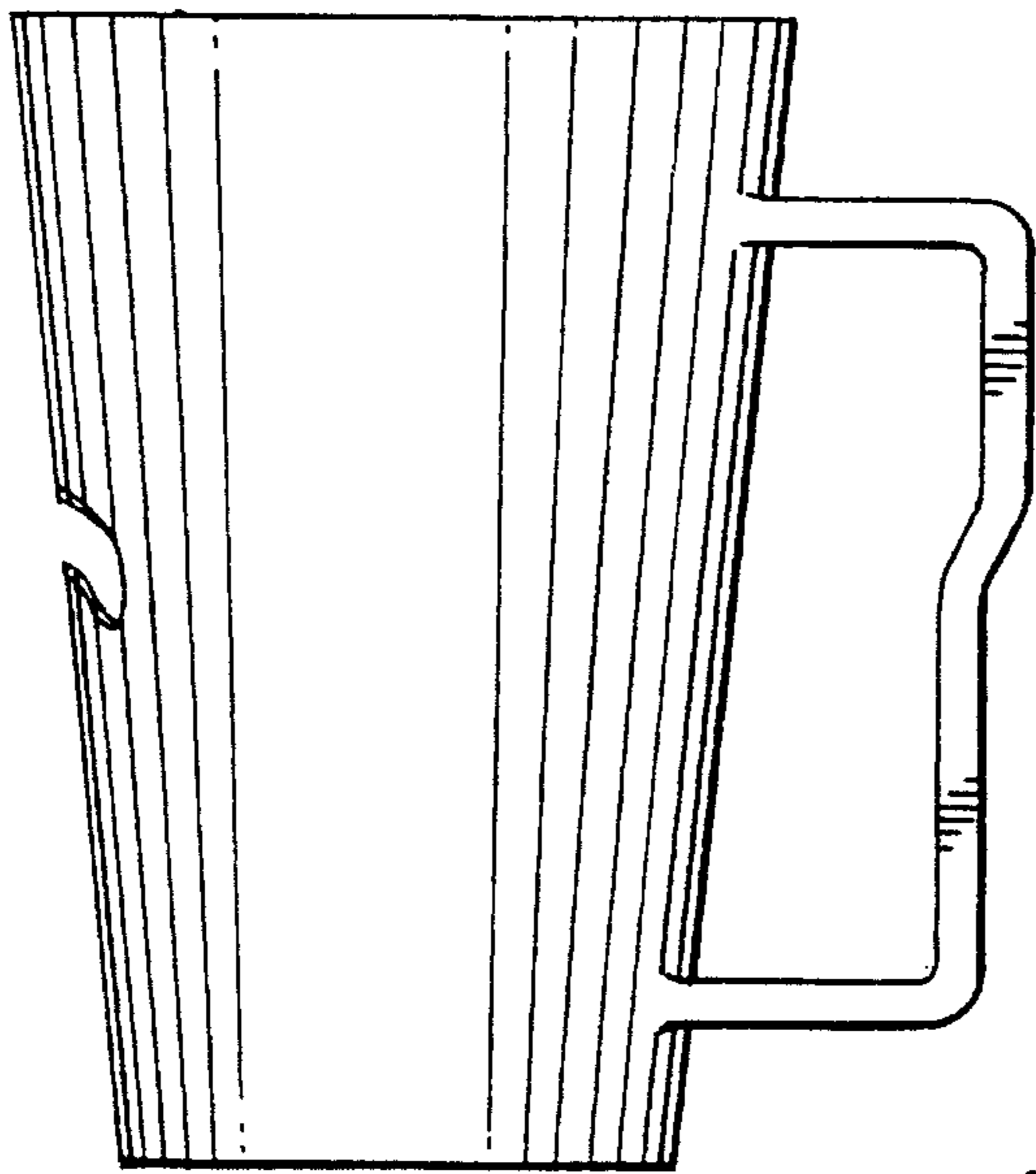


FIG. 4.

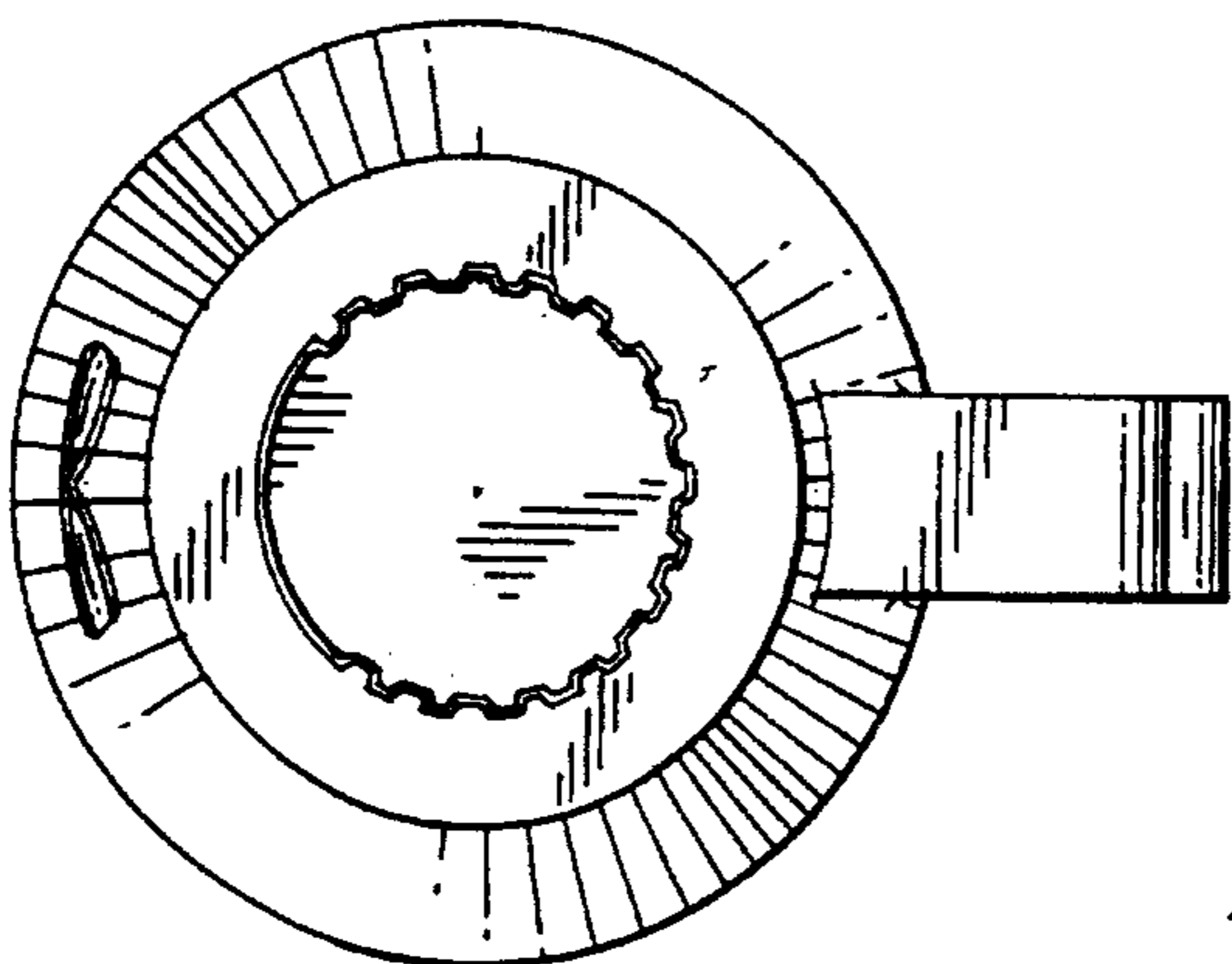


FIG. 6.