



US00D375868S

United States Patent [19]

Larson

[11] Patent Number: **Des. 375,868**

[45] Date of Patent: ****Nov. 26, 1996**

[54] **ELECTRIC GRILL**

2247747 3/1992 United Kingdom 126/25 R

[75] Inventor: **Duke Larson**, Lake Geneva, Wis.

Primary Examiner—Louis Zarfaz

[73] Assignee: **Daniel J. Korbass**, Woodstock, Ill.

Assistant Examiner—Frank Martinez

[**] Term: **14 Years**

Attorney, Agent, or Firm—Mason, Kolehmainen, Rathburn & Wyss

[21] Appl. No.: **44,639**

[57] **CLAIM**

[22] Filed: **Sep. 27, 1995**

The ornamental design for an electric grill, as shown.

[52] U.S. Cl. **D7/361**

DESCRIPTION

[58] **Field of Search** D7/361, 359, 363,
D7/337, 347; 99/376, 425, 444, 445, 450,
408, 409; 126/25 R, 37 B

FIG. 1 is a perspective view of an electric grill showing my new design;

FIG. 2 is a side view of the electric grill;

FIG. 3 is a second side view of the electric grill;

FIG. 4 is a top view of the electric grill;

FIG. 5 is a front view of the electric grill;

FIG. 6 is a rear view of the electric grill;

FIG. 7 is a bottom view of the electric grill; and,

FIG. 8 is a front view illustrating interior details of the electric grill.

[56] **References Cited**

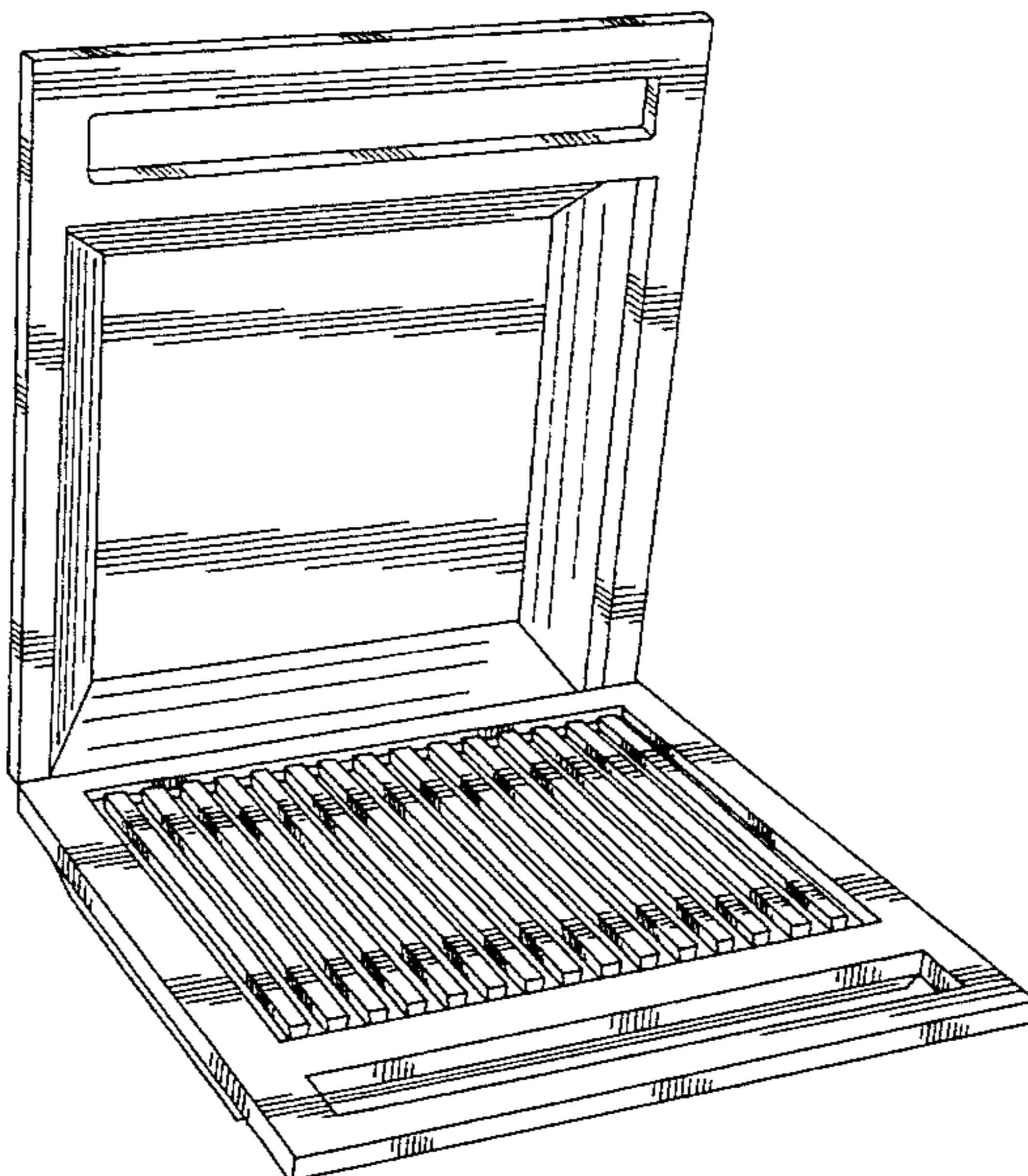
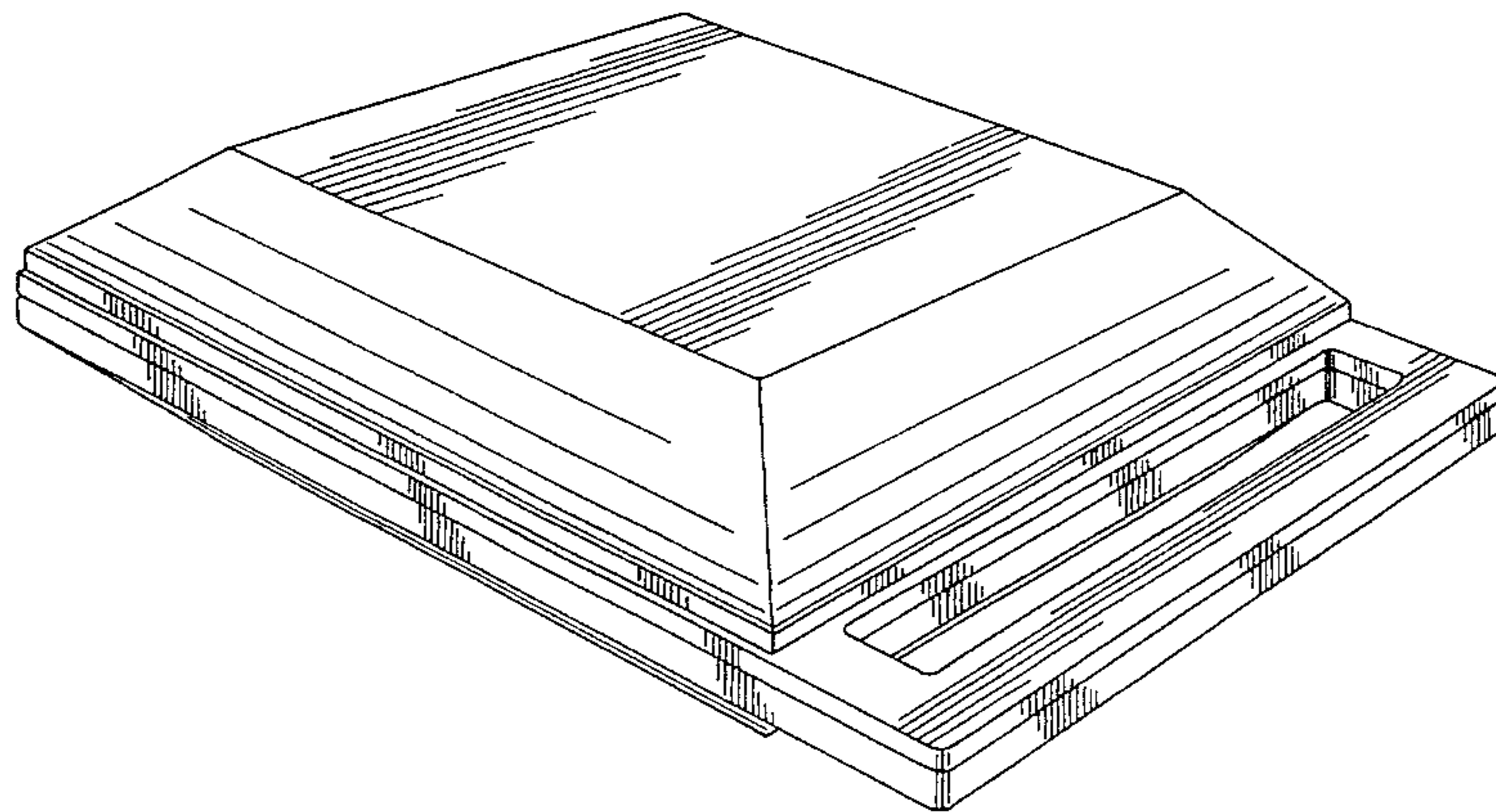
U.S. PATENT DOCUMENTS

D. 227,179	6/1973	Grafton et al.	99/450
D. 254,768	4/1980	Lynn	D7/337
D. 275,640	9/1984	Hoglund	D7/337
D. 278,505	4/1985	Mackin	D7/337
4,587,948	5/1986	Haglund	126/25 R

FOREIGN PATENT DOCUMENTS

2488763	12/1981	France	99/376
---------	---------	--------------	--------

1 Claim, 5 Drawing Sheets



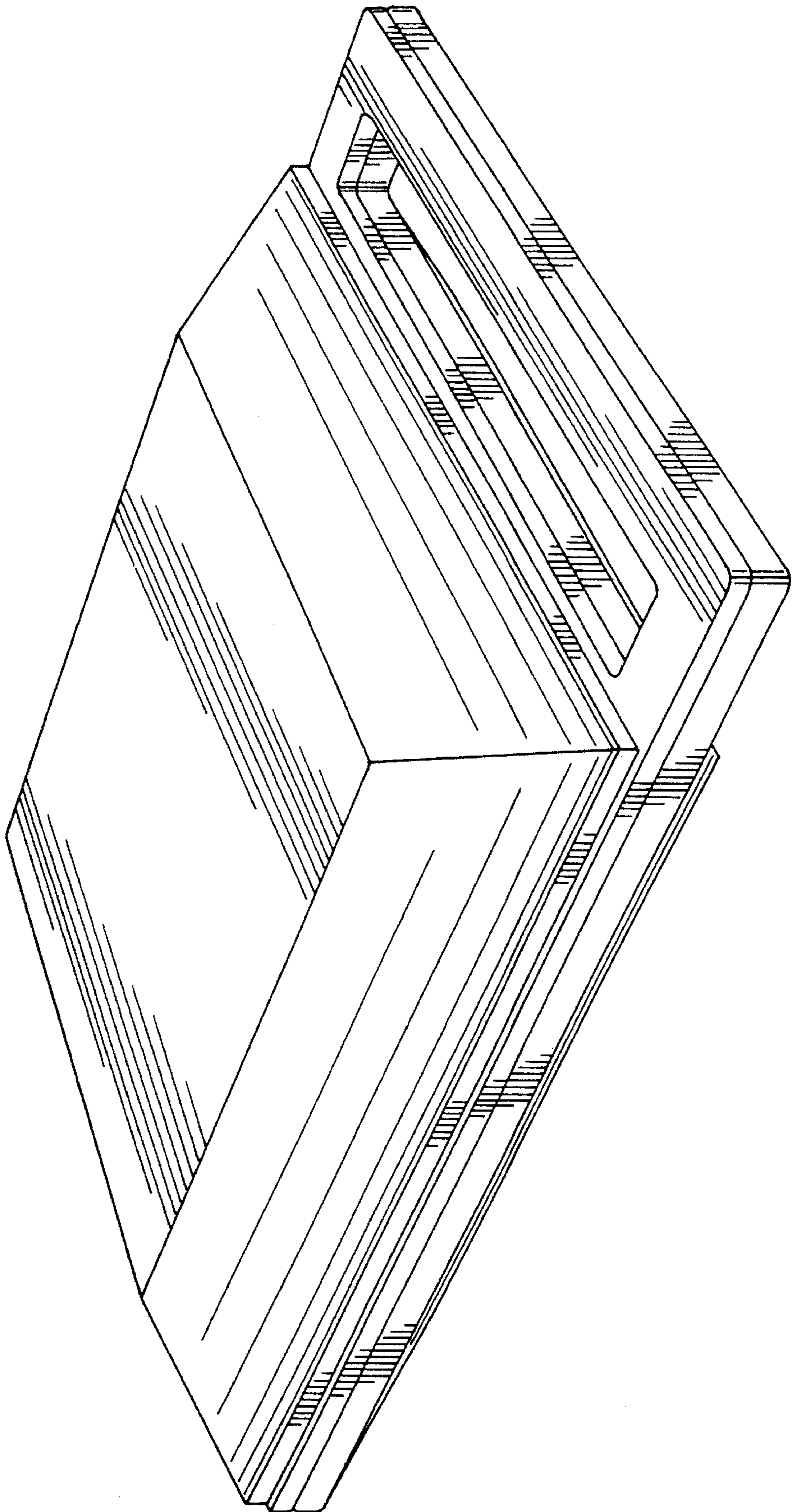


FIG. 1

FIG. 2

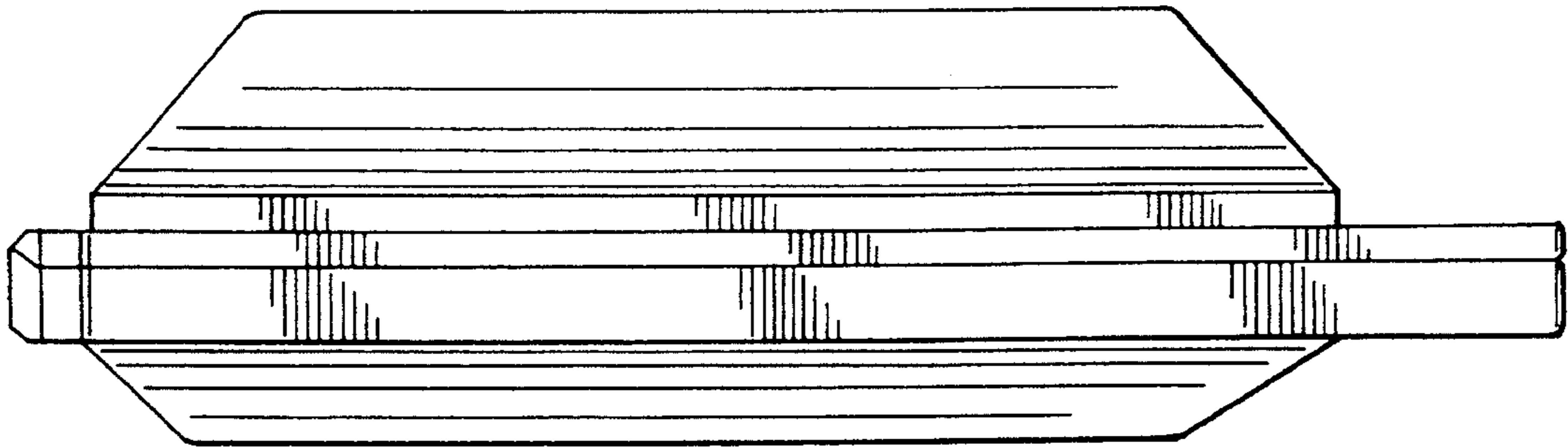


FIG. 3

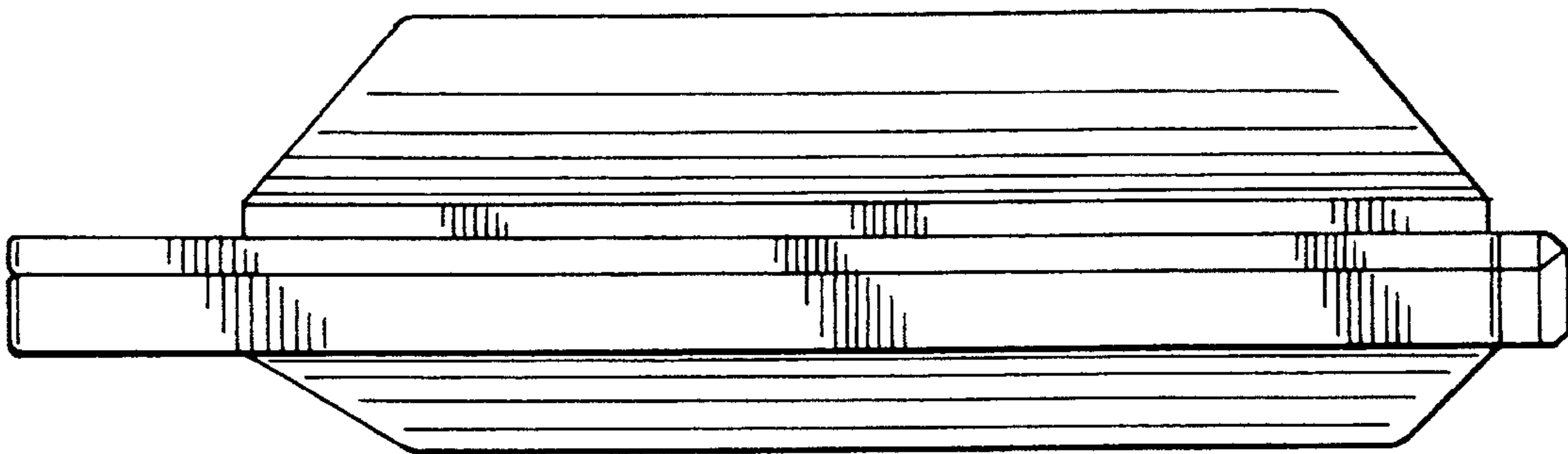


FIG.4

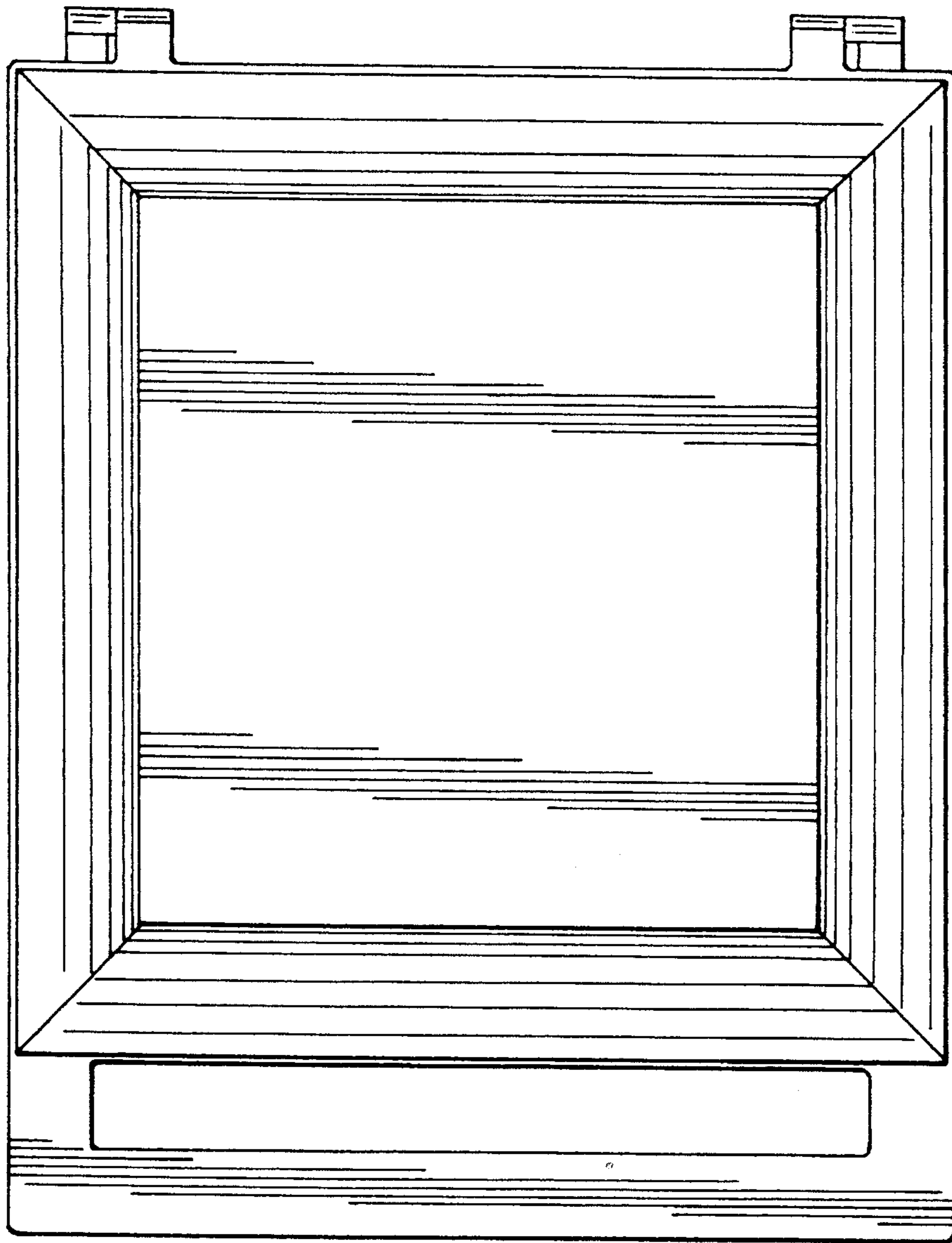


FIG.5

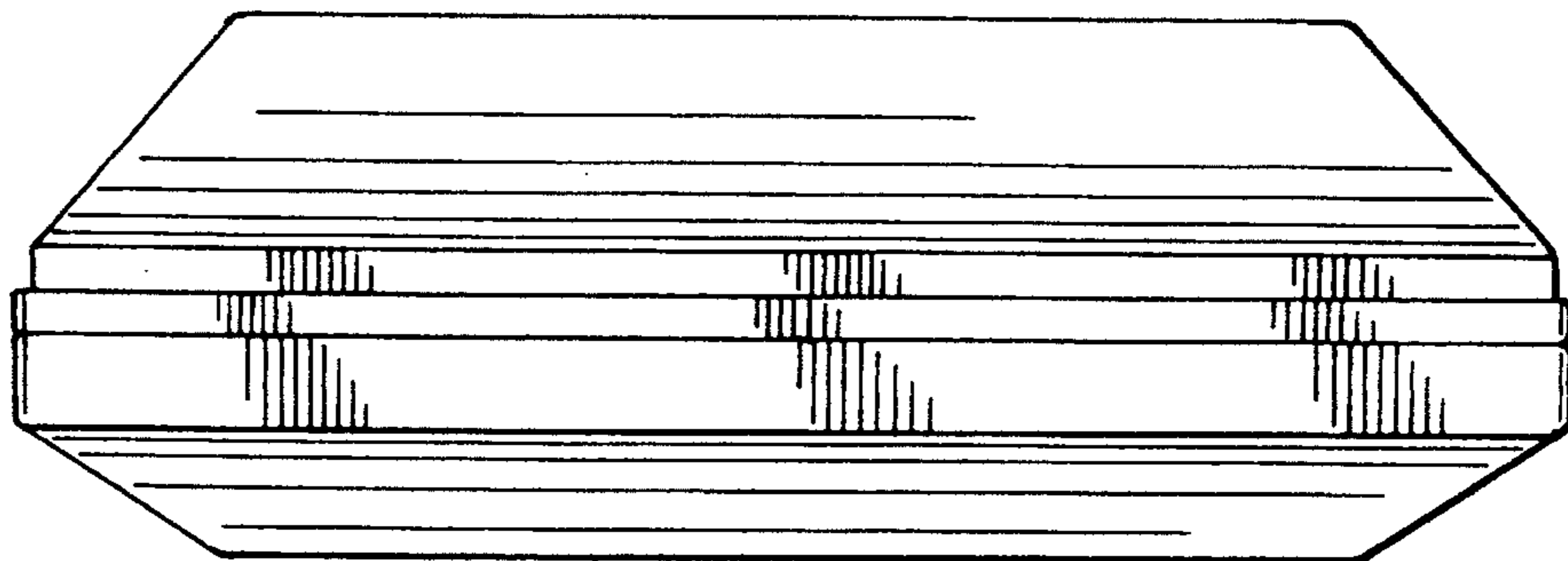


FIG.6

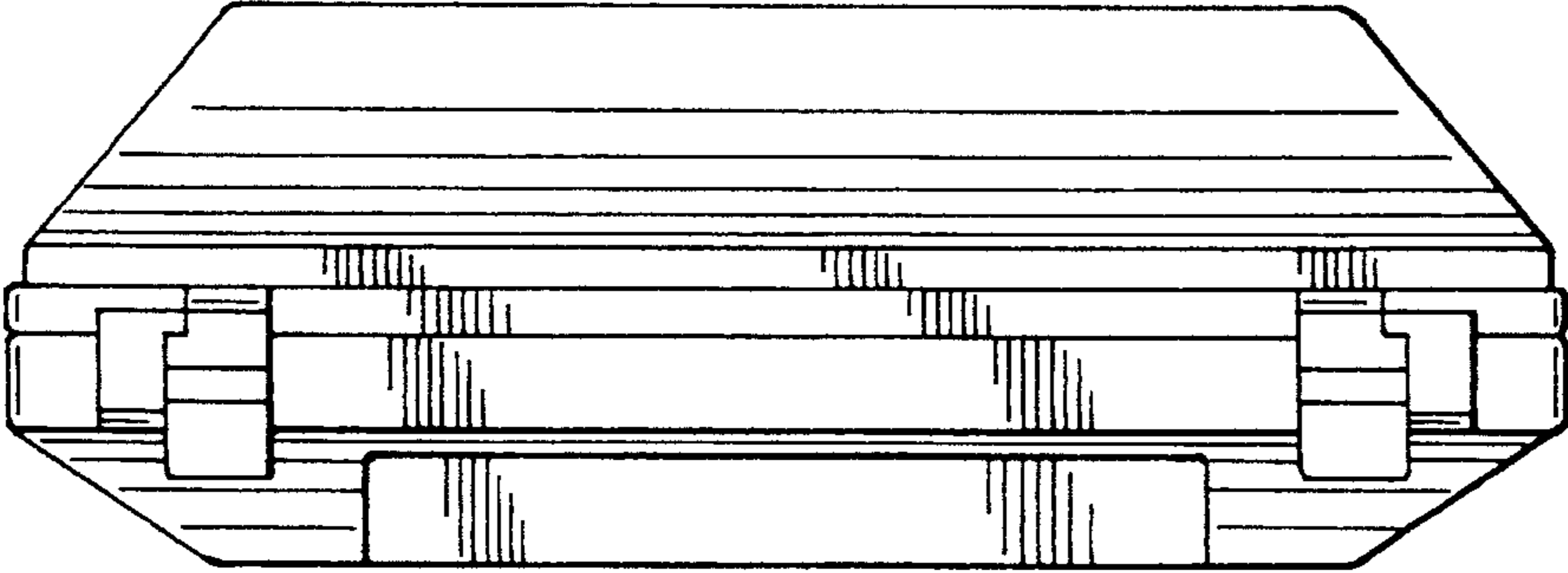


FIG.7

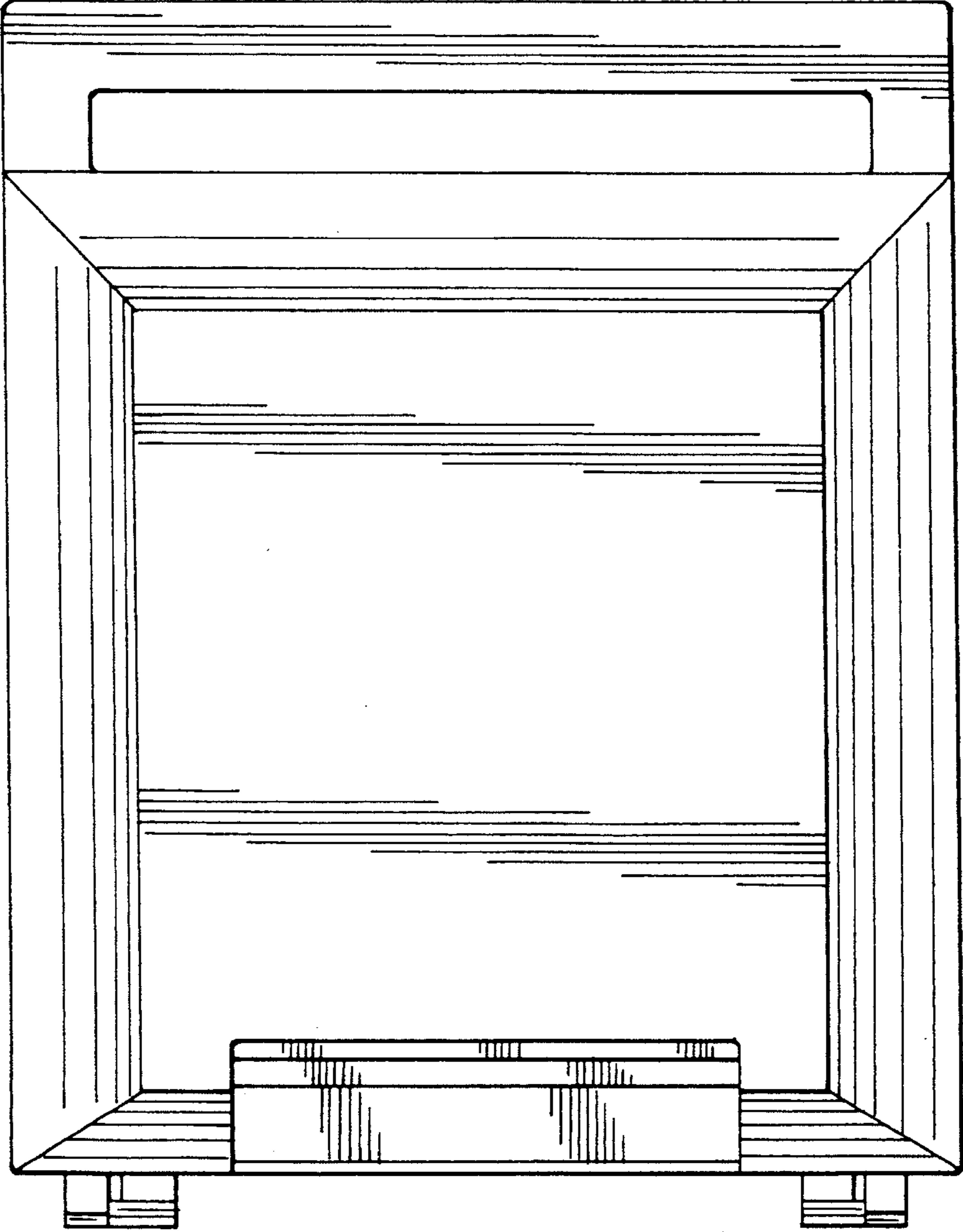


FIG. 8

