



US00D375865S

United States Patent [19]

[11] Patent Number: Des. 375,865

Sovann

[45] Date of Patent: **Nov. 26, 1996

[54] **PORTABLE COOLER CABINET DISPENSER**

[76] Inventor: **Nancy Sovann**, 1707 Sahara La.,
Mitchellville, Md. 20716

[**] Term: **14 Years**

[21] Appl. No.: **34,849**

[22] Filed: **Feb. 14, 1995**

[52] U.S. Cl. **D7/308**; D7/301

[58] **Field of Search** D7/309, 310, 311,
D7/300, 312, 313, 306, 307, 308, 304,
301; 222/78, 185.1, 129.1, 129.2, 129.3,
129.4

[56] **References Cited**

U.S. PATENT DOCUMENTS

D. 206,519	12/1966	Wolfe	D7/308
D. 256,020	7/1980	Swanson	D7/308
D. 304,989	12/1989	Fossella	D7/308

D. 313,331	1/1991	Schroeder et al.	D7/308
D. 346,088	4/1994	Schroeder	D7/306 X
D. 359,874	7/1995	Smith et al.	D7/308 X
4,513,885	4/1985	Hogan	D7/308 X
5,172,831	12/1992	Burrows	222/129.2 X
5,297,980	3/1994	Barthold	222/78 X
5,335,829	8/1994	Sovann	222/185.1 X
5,377,878	1/1995	Rainey et al.	222/185.1 X

Primary Examiner—M. N. Pandozzi

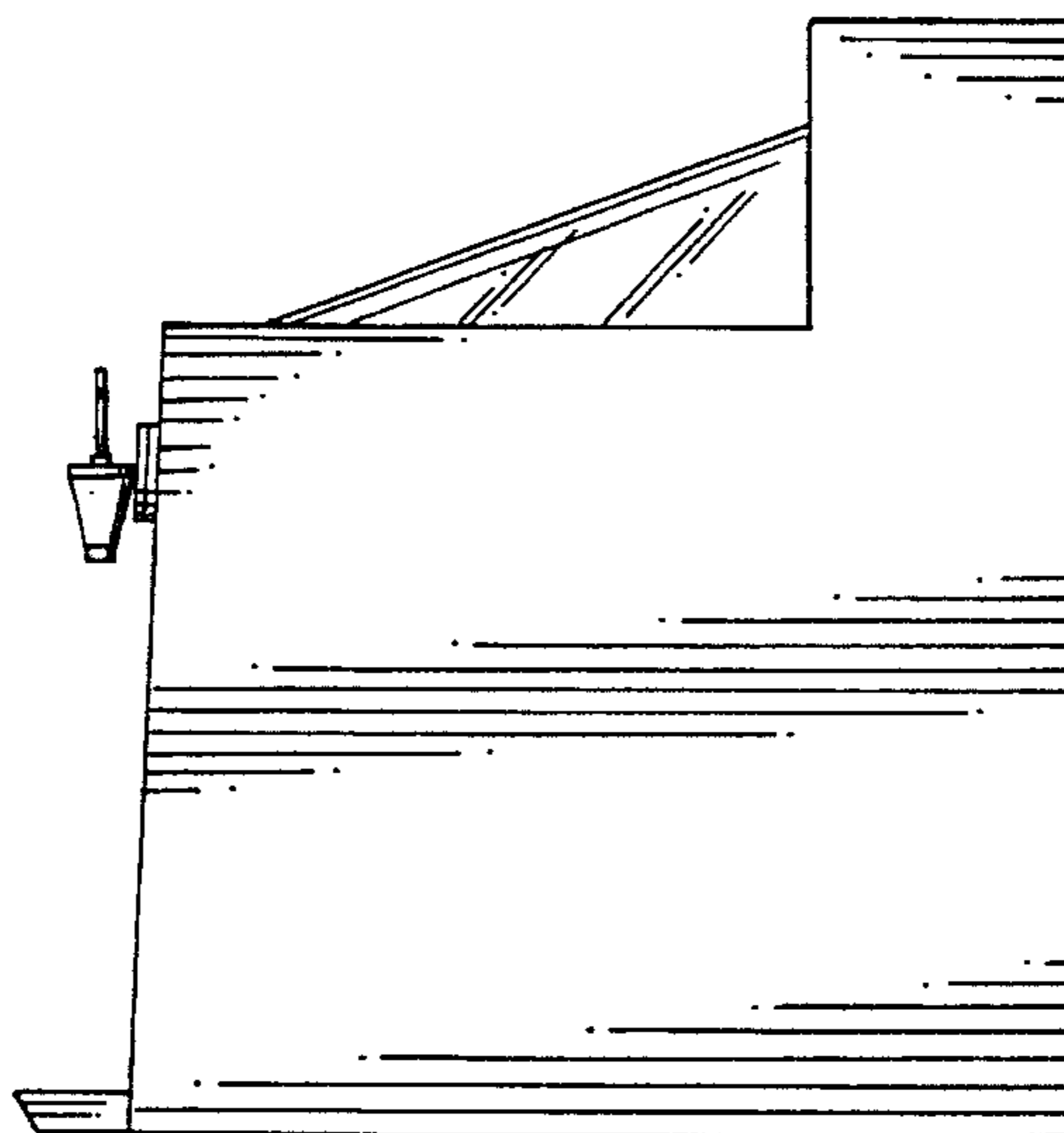
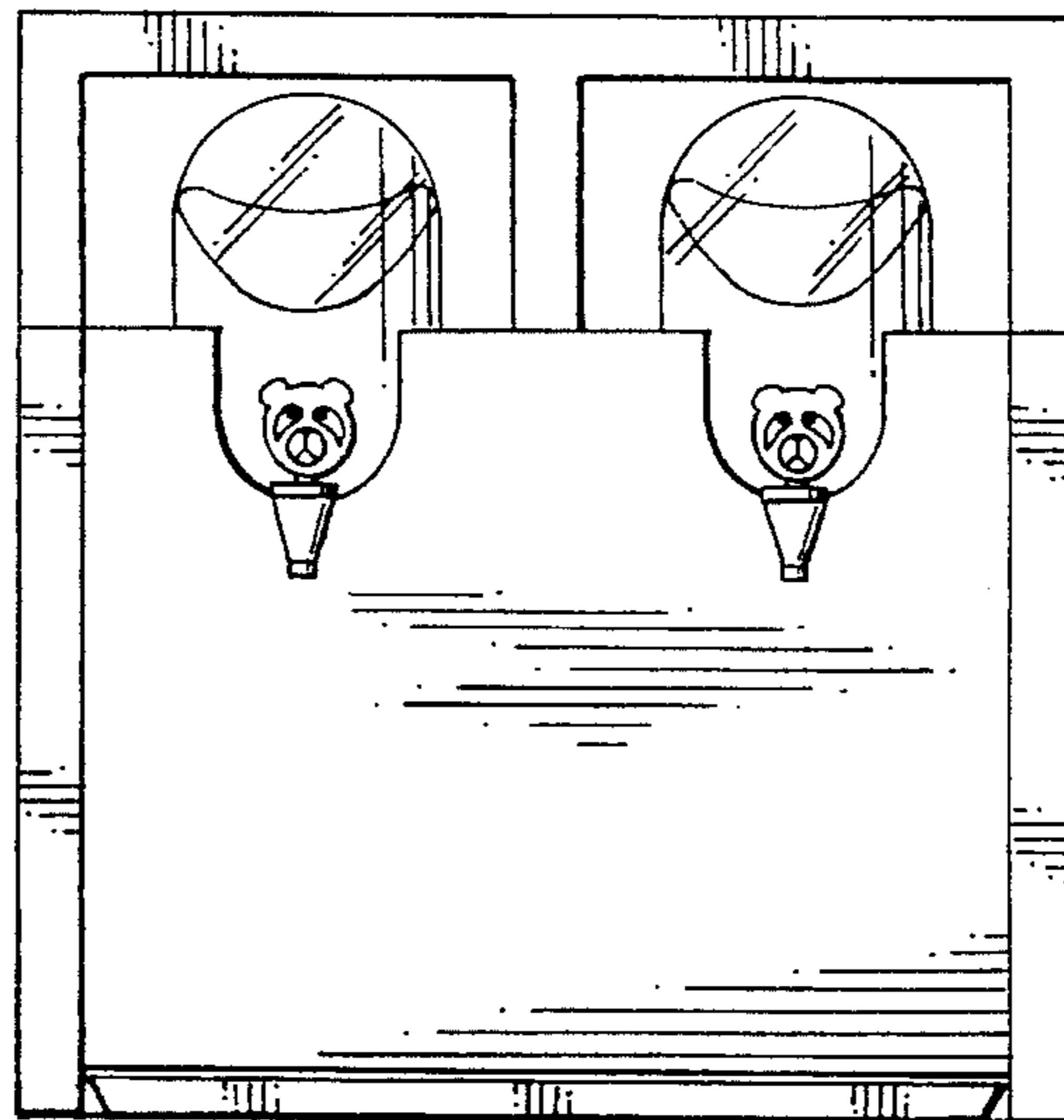
[57] **CLAIM**

The ornamental design for a portable cooler cabinet dispenser, as shown and described.

DESCRIPTION

FIG. 1 is a front elevational view of a portable beverage dispenser showing my new design;
FIG. 2 is a side view (both sides are the same);
FIG. 3 is a top view;
FIG. 4 is a rear elevational view; and,
FIG. 5 is a bottom plan view.

1 Claim, 3 Drawing Sheets



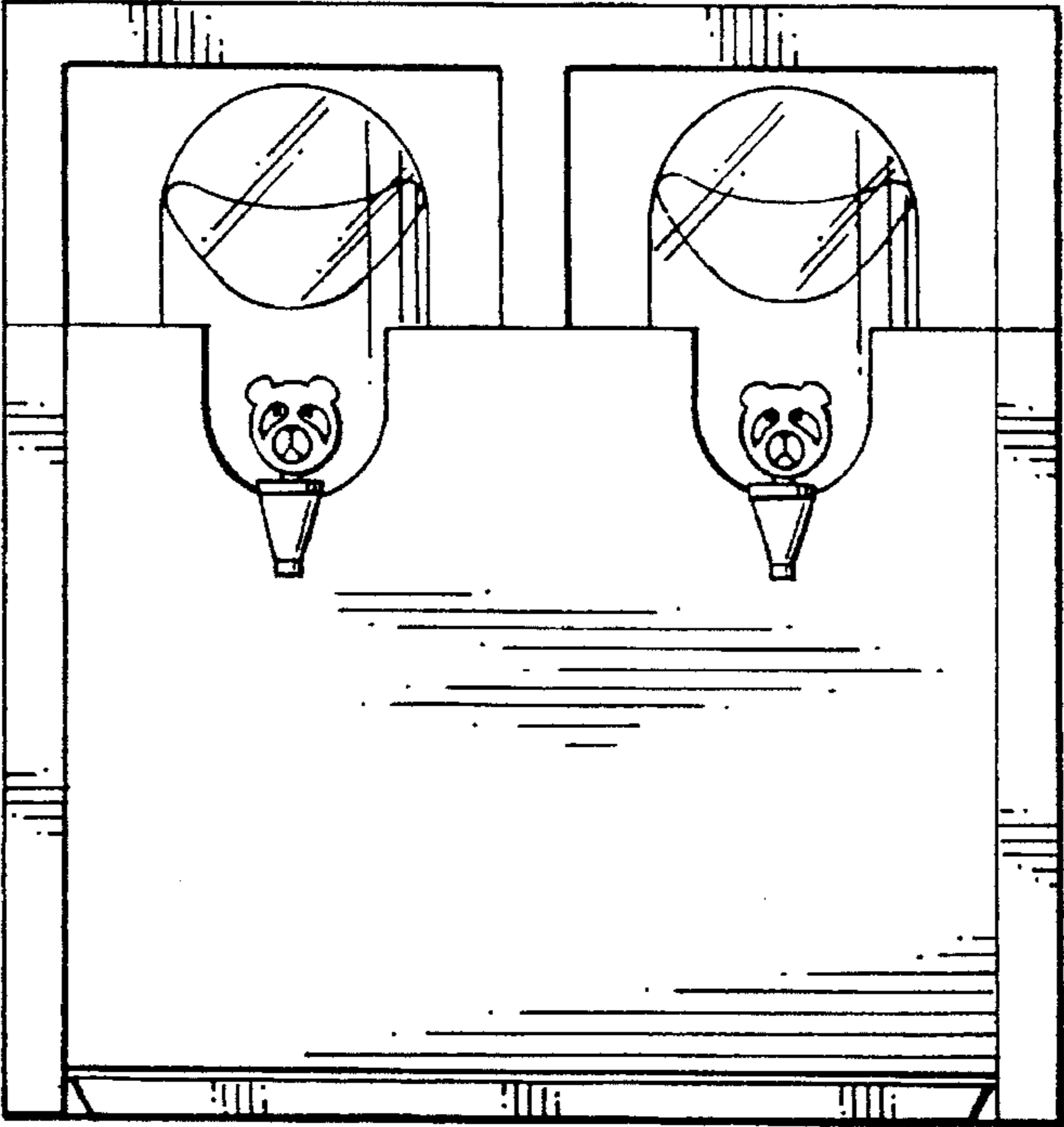


FIG. 1

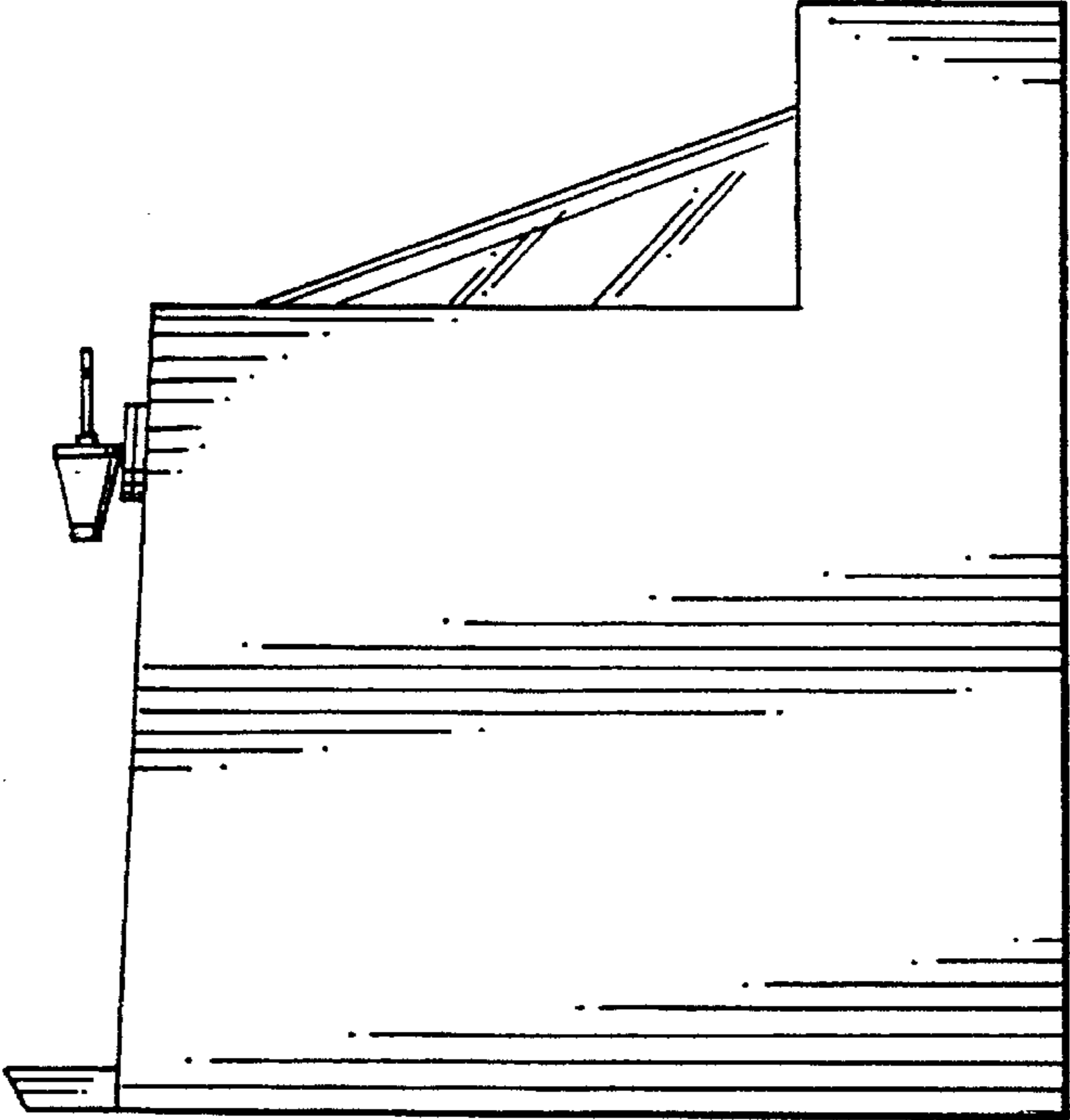


FIG. 2

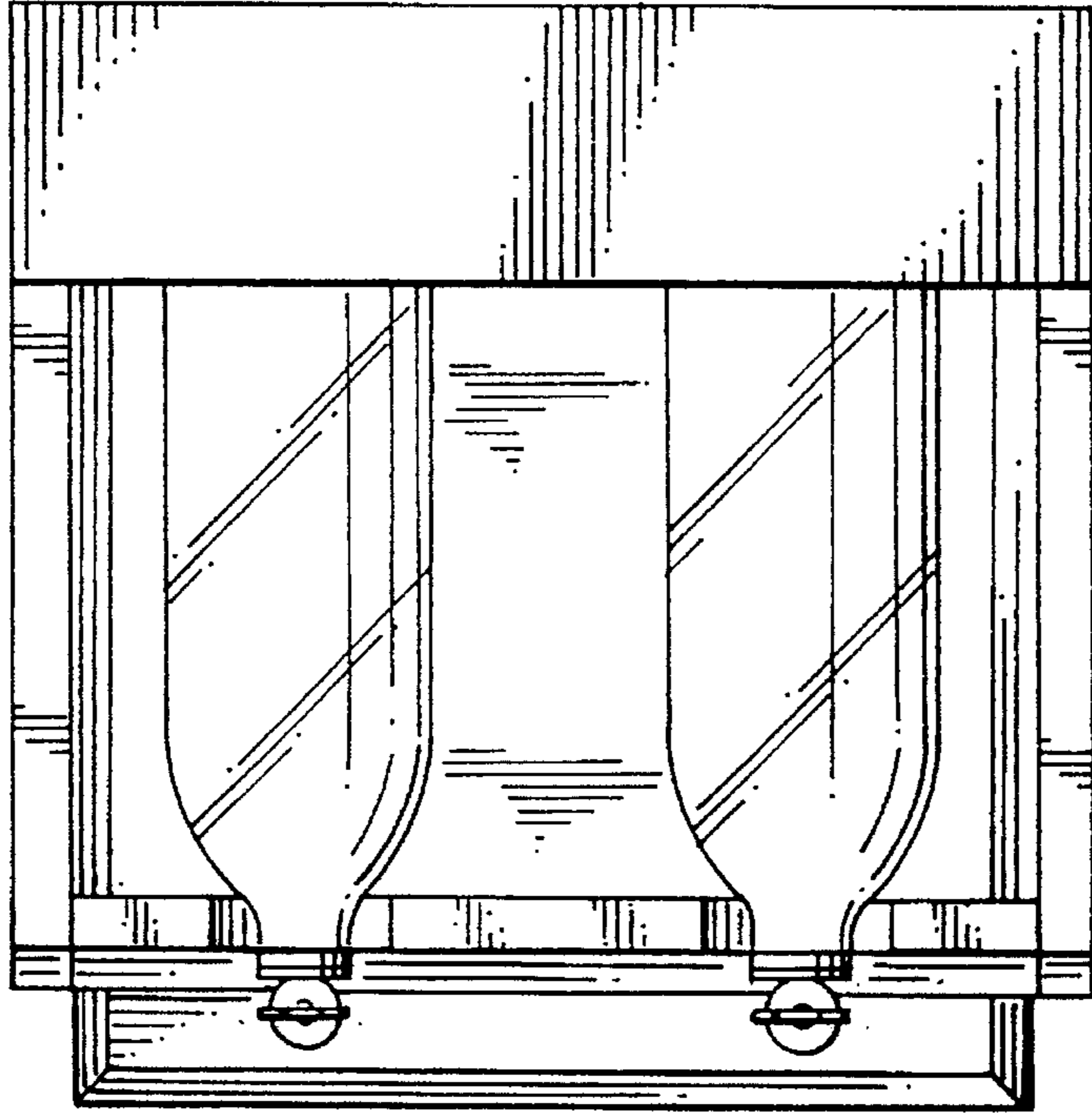


FIG. 3

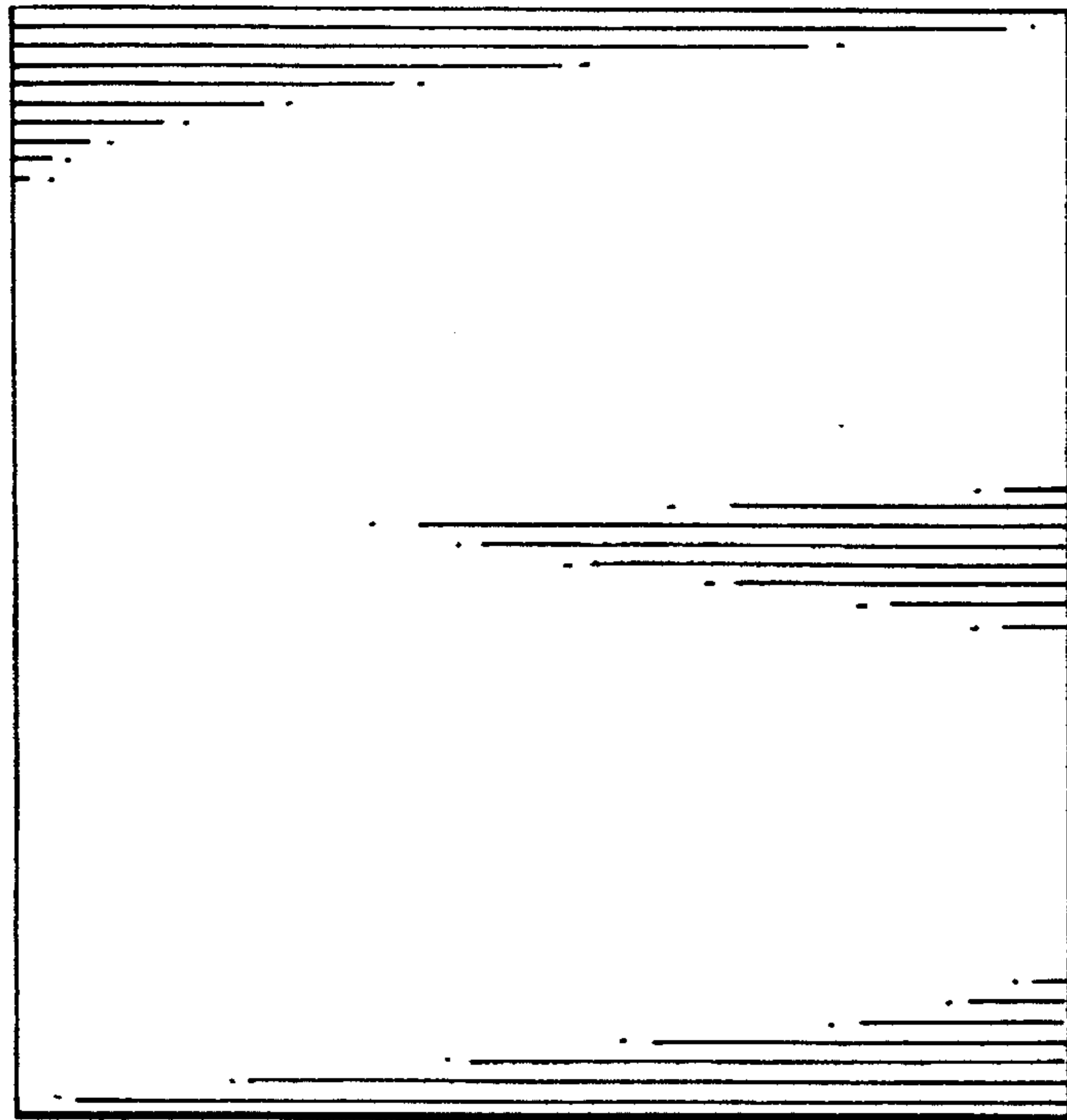


FIG. 4

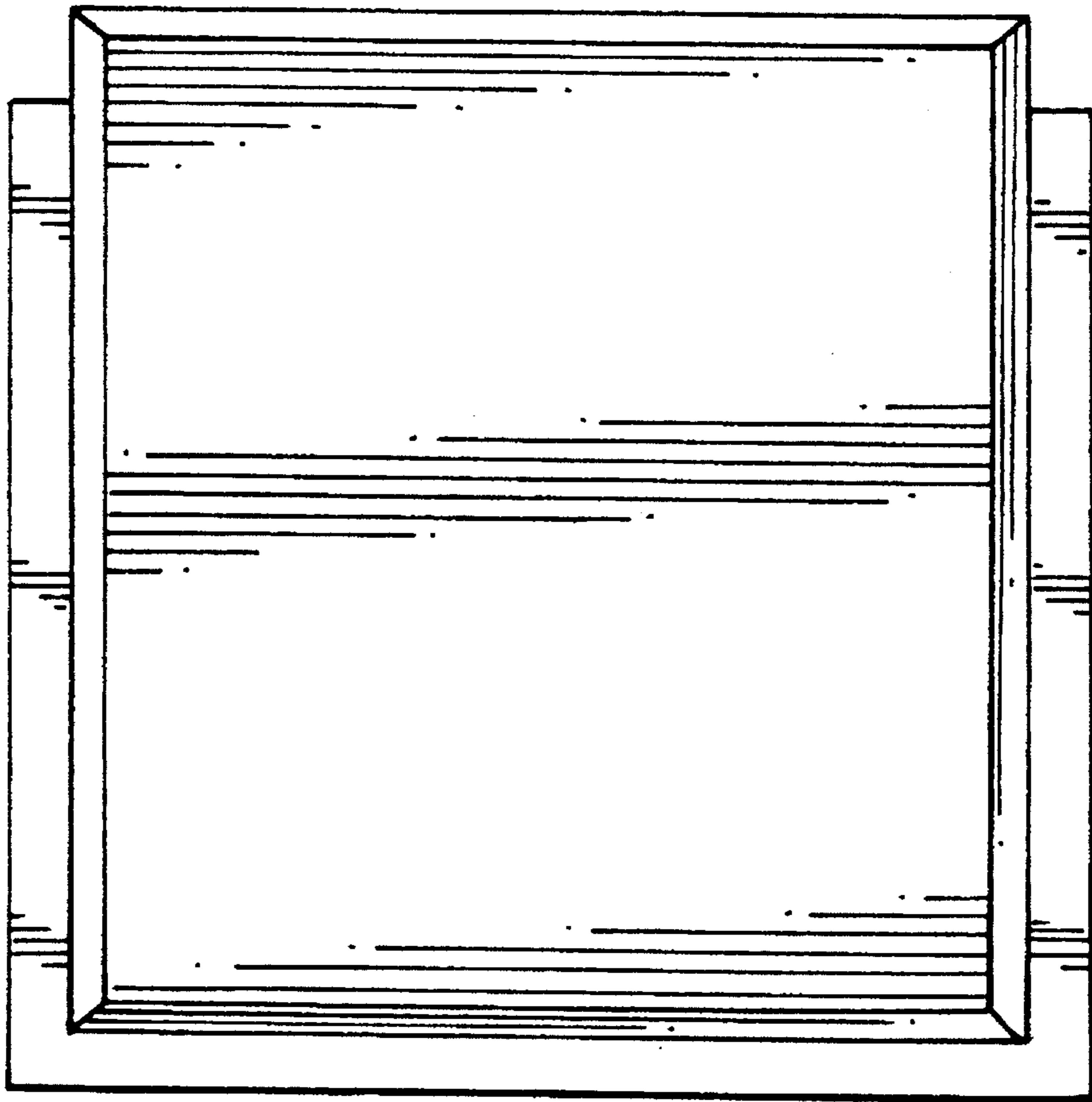


FIG. 5