



US00D375857S

United States Patent [19]

[11] Patent Number: **Des. 375,857**

De Blois

[45] Date of Patent: ****Nov. 26, 1996**

[54] **DRAWER**

[75] Inventor: **Gilles De Blois**, Drummondville, Canada

[73] Assignee: **Québec Inc.**, Drummondville, Canada

[**] Term: **14 Years**

[21] Appl. No.: **40,310**

[22] Filed: **Jun. 15, 1995**

[52] U.S. Cl. **D6/511**

[58] Field of Search D6/511, 509, 510, D6/571, 574; 211/40, 41, 134, 153; 312/9.1, 9.9, 9.48, 9.52, 245, 348.3; 206/557, 558, 562-565; 108/59; D9/341

[56] **References Cited**

U.S. PATENT DOCUMENTS

- D. 320,738 10/1991 Kanda et al. D9/341
- D. 332,187 1/1993 Stravitz D6/511 X
- D. 338,792 8/1993 Chap et al. D6/511

Primary Examiner—B. J. Bullock
Assistant Examiner—Linda Brooks
Attorney, Agent, or Firm—Robic

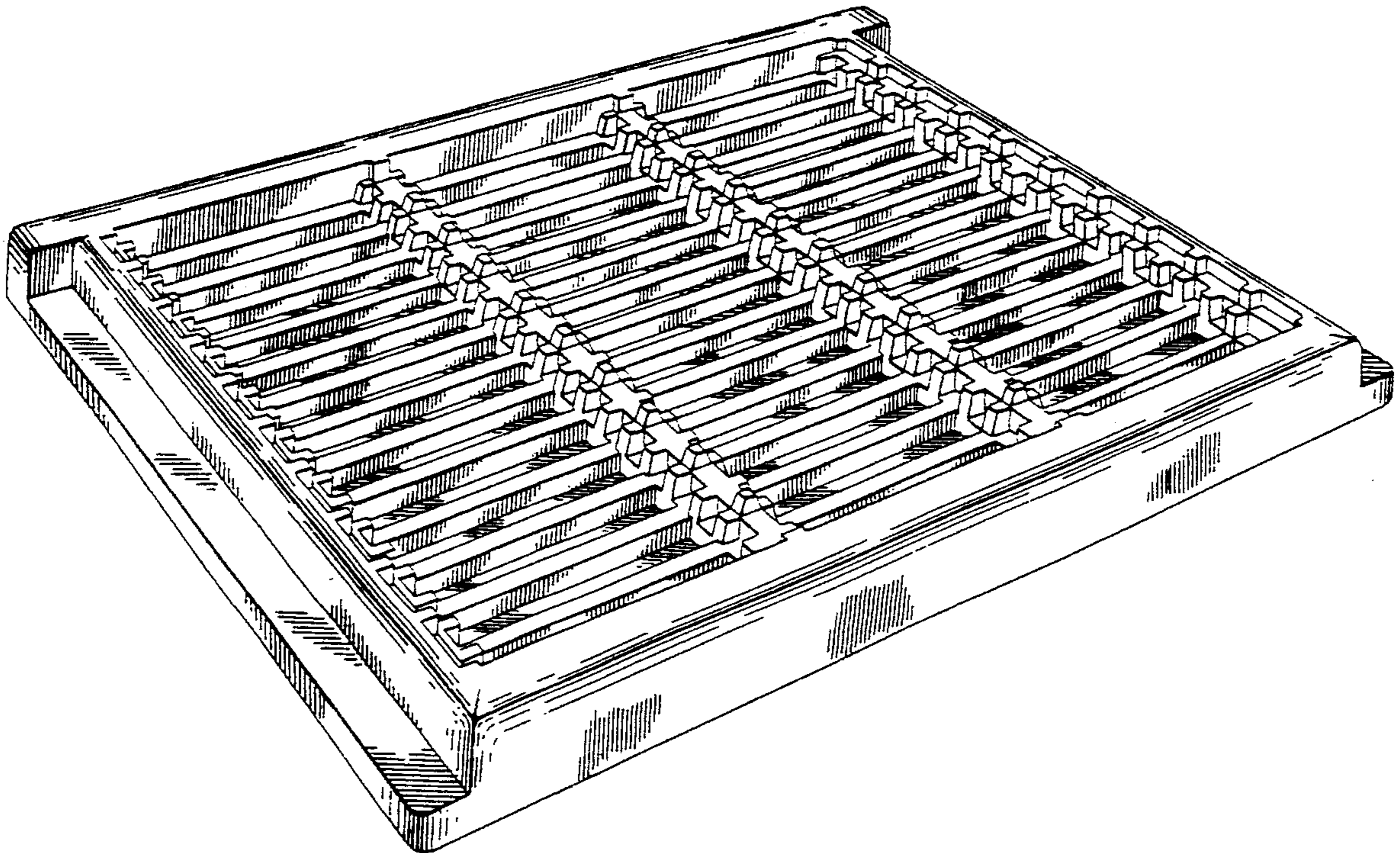
[57] **CLAIM**

The ornamental design for a drawer, as shown and described.

DESCRIPTION

FIG. 1 is a front perspective view of the drawer;
 FIG. 2 is a rear perspective view of the drawer;
 FIG. 3 is an enlarged top plan view of the drawer;
 FIG. 4 is a bottom plan view of the drawer shown in reduced scale;
 FIG. 5 is a front elevational view of the drawer shown in FIG. 4;
 FIG. 6 is a rear elevational view of the drawer shown in FIG. 4;
 FIG. 7 is a left side elevational view of the drawer shown in FIG. 4; and,
 FIG. 8 is a right side elevational view of the drawer shown in FIG. 4.

1 Claim, 5 Drawing Sheets



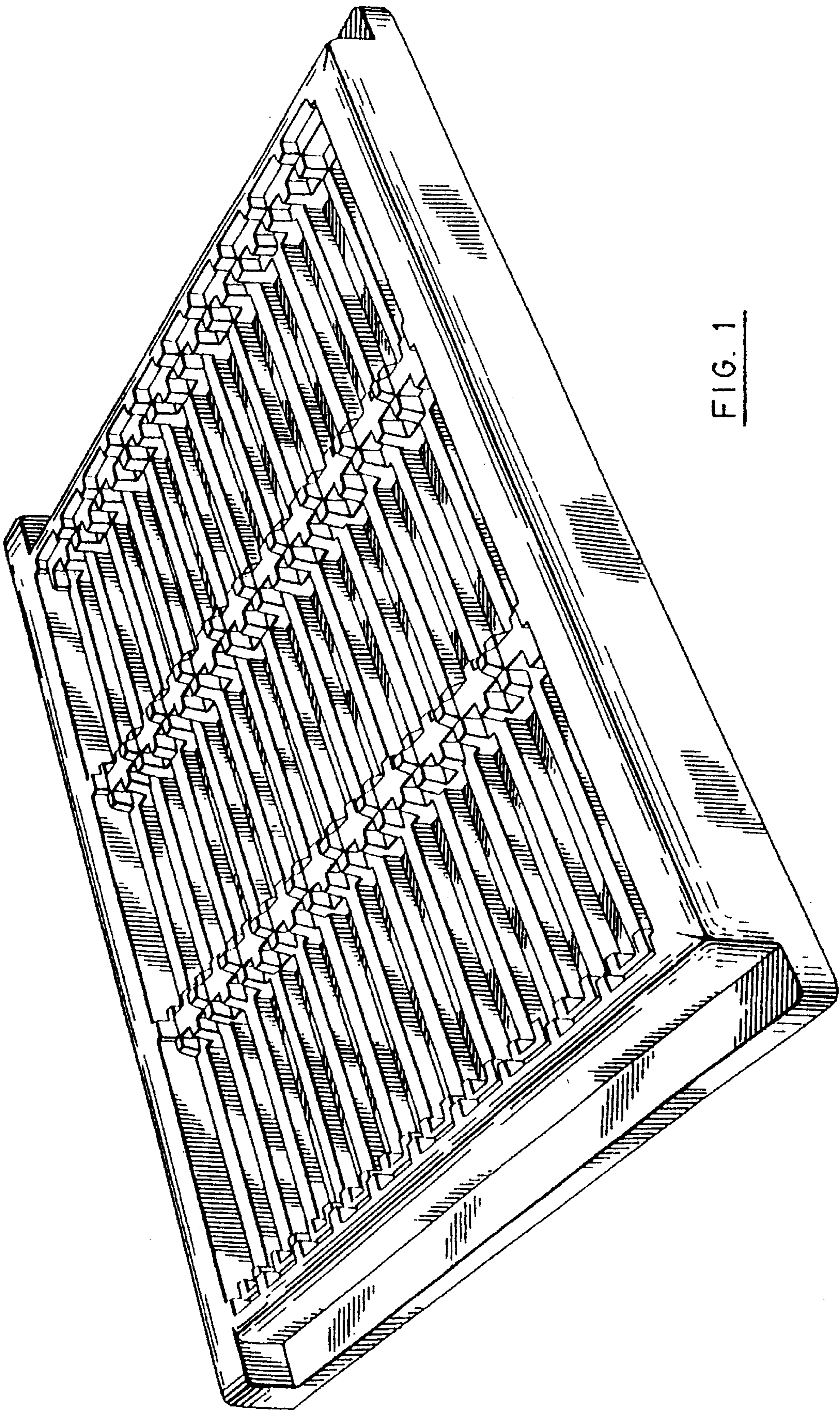


FIG. 1

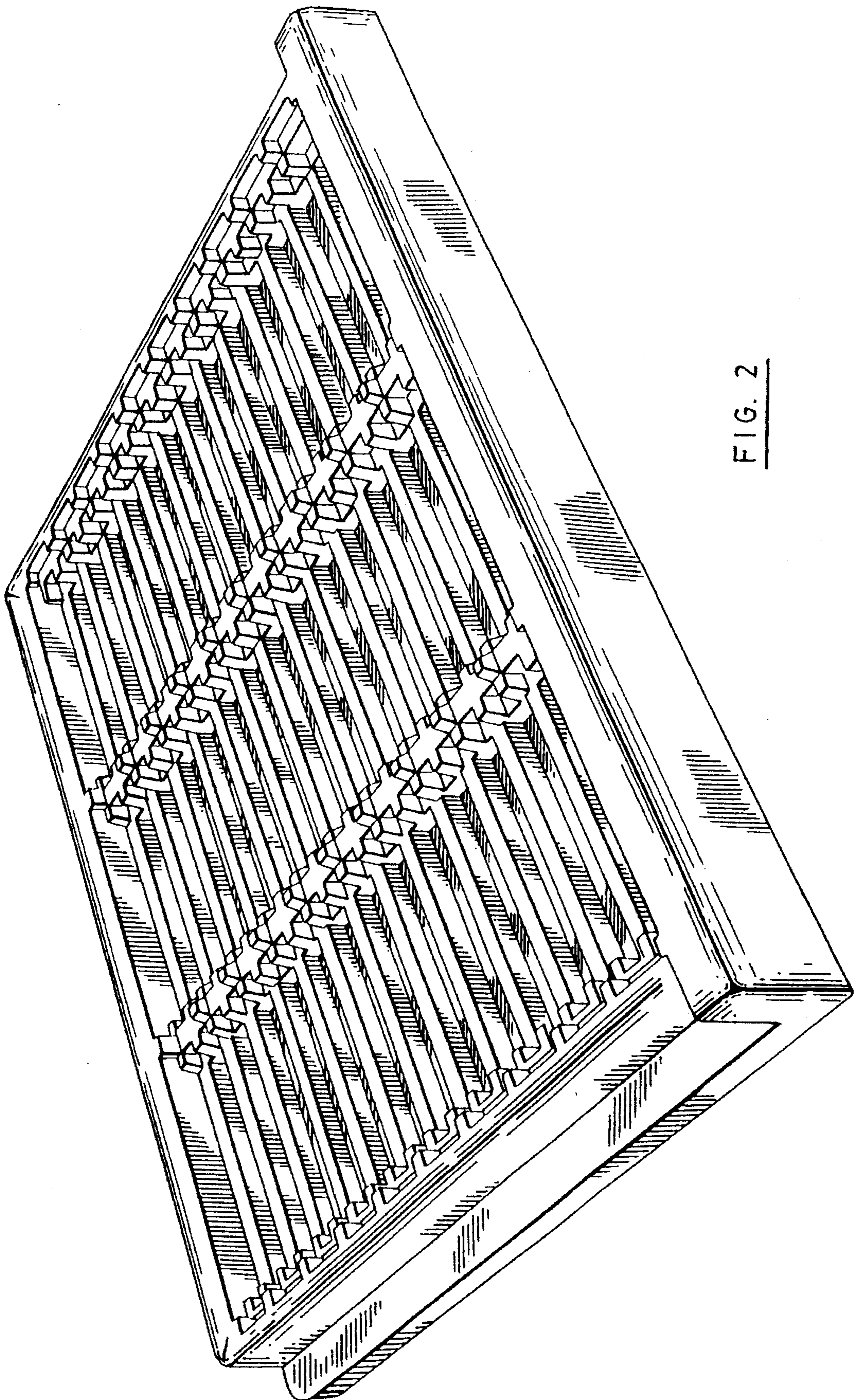
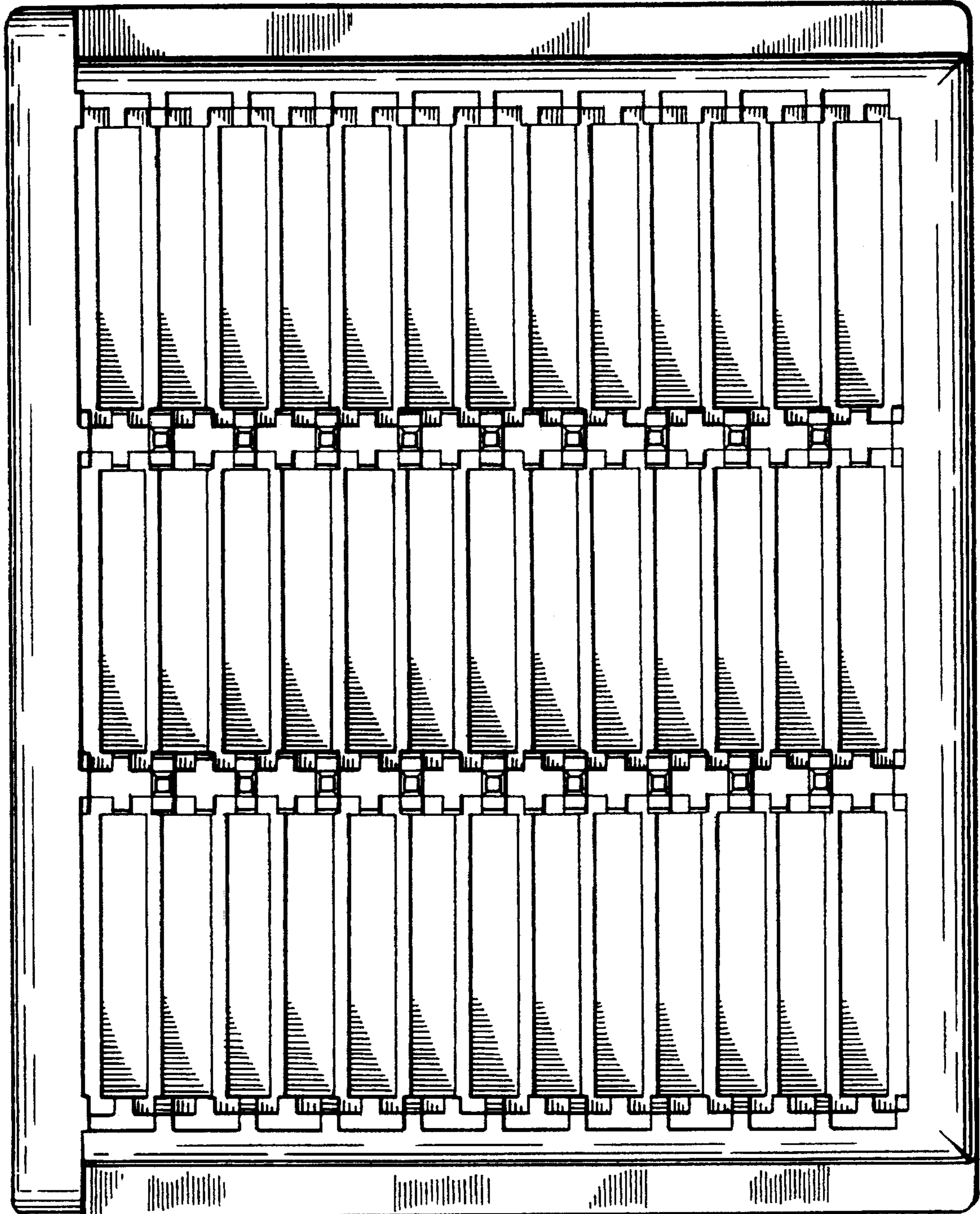


FIG. 2

FIG. 3



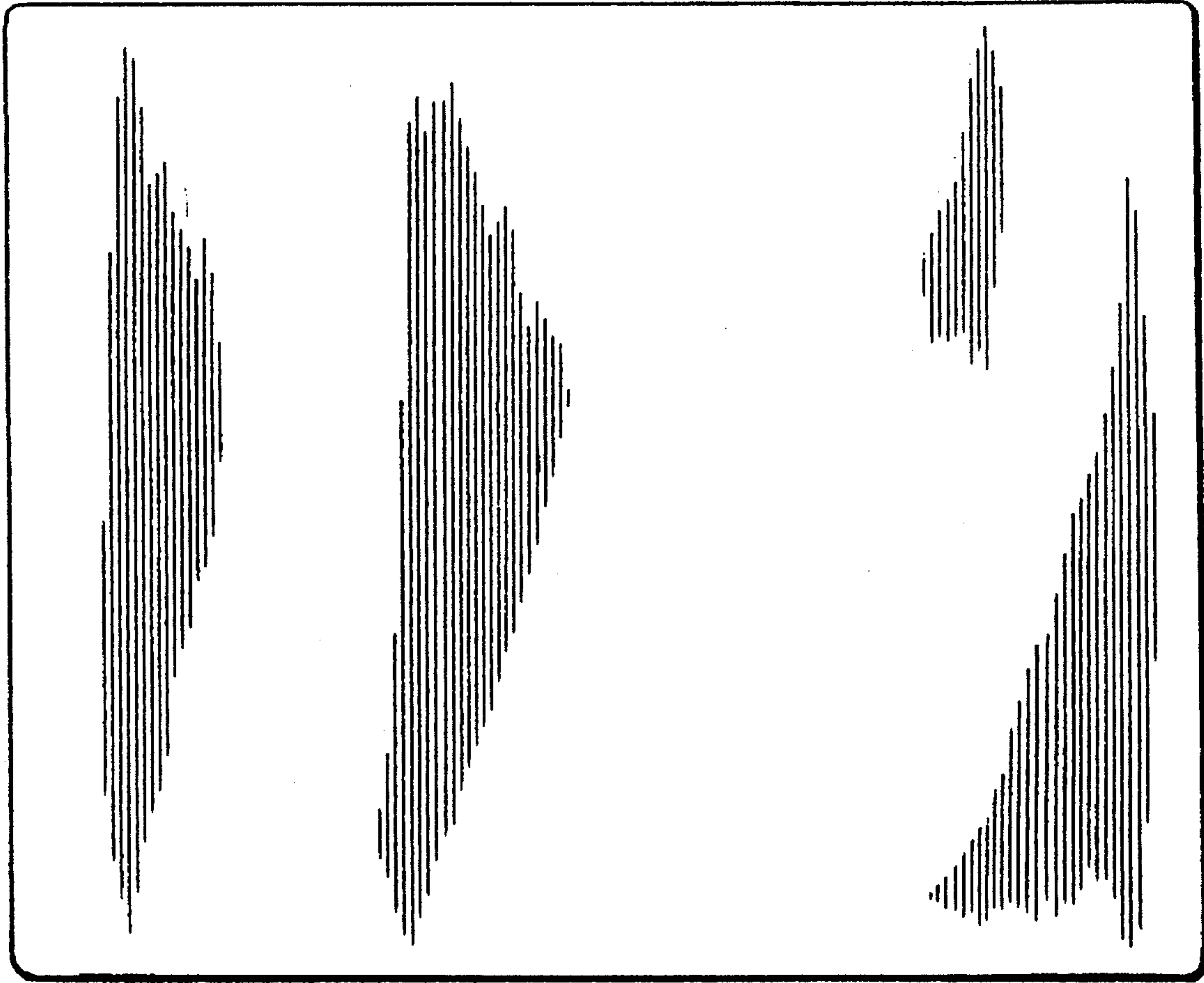


FIG. 4

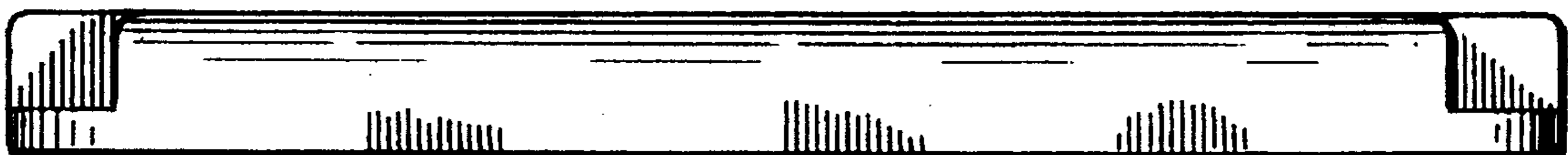


FIG. 5

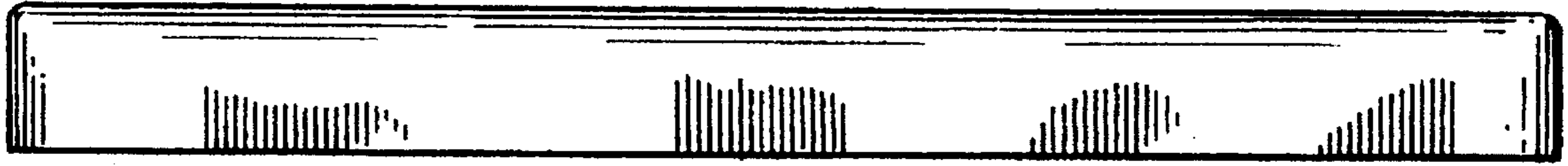


FIG. 6

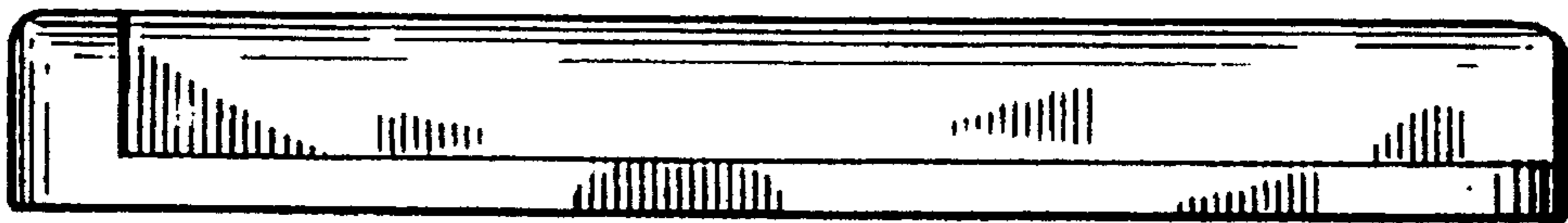


FIG. 7

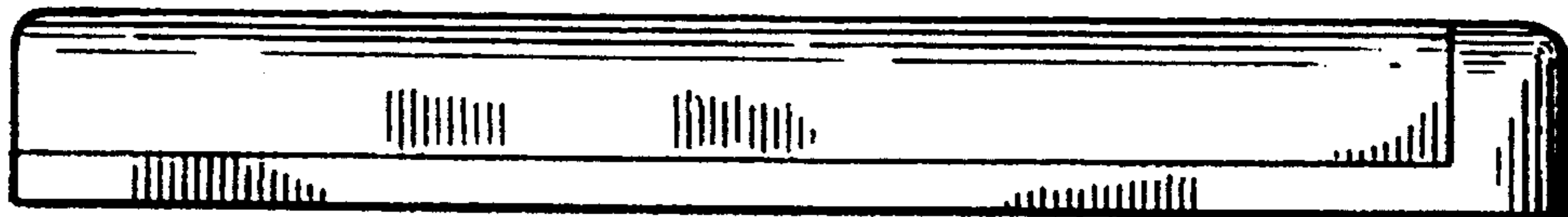


FIG. 8