



US00D375847S

# United States Patent [19]

[11] **Patent Number: Des. 375,847**

**Tello**

[45] **Date of Patent: \*\*Nov. 26, 1996**

[54] **CHAIR**

3,981,538 9/1976 Chubb ..... D6/373 X

[76] Inventor: **Miguel Tello**, 704 Lexington Ave., El Cerrito, Calif. 94530

### OTHER PUBLICATIONS

Selig Import, #652-15 Hara Chair at bottom right.

[\*\*] Term: **14 Years**

*Primary Examiner*—Alan P. Douglas

*Assistant Examiner*—Gary D. Watson

[21] Appl. No.: **21,538**

[22] Filed: **Apr. 20, 1994**

[52] **U.S. Cl.** ..... **D6/373; D6/380**

[58] **Field of Search** ..... D6/334, 371, 373, D6/374, 376, 380, 500, 501, 502; 297/447

### [57] CLAIM

The ornamental design for a chair, as shown and described.

### DESCRIPTION

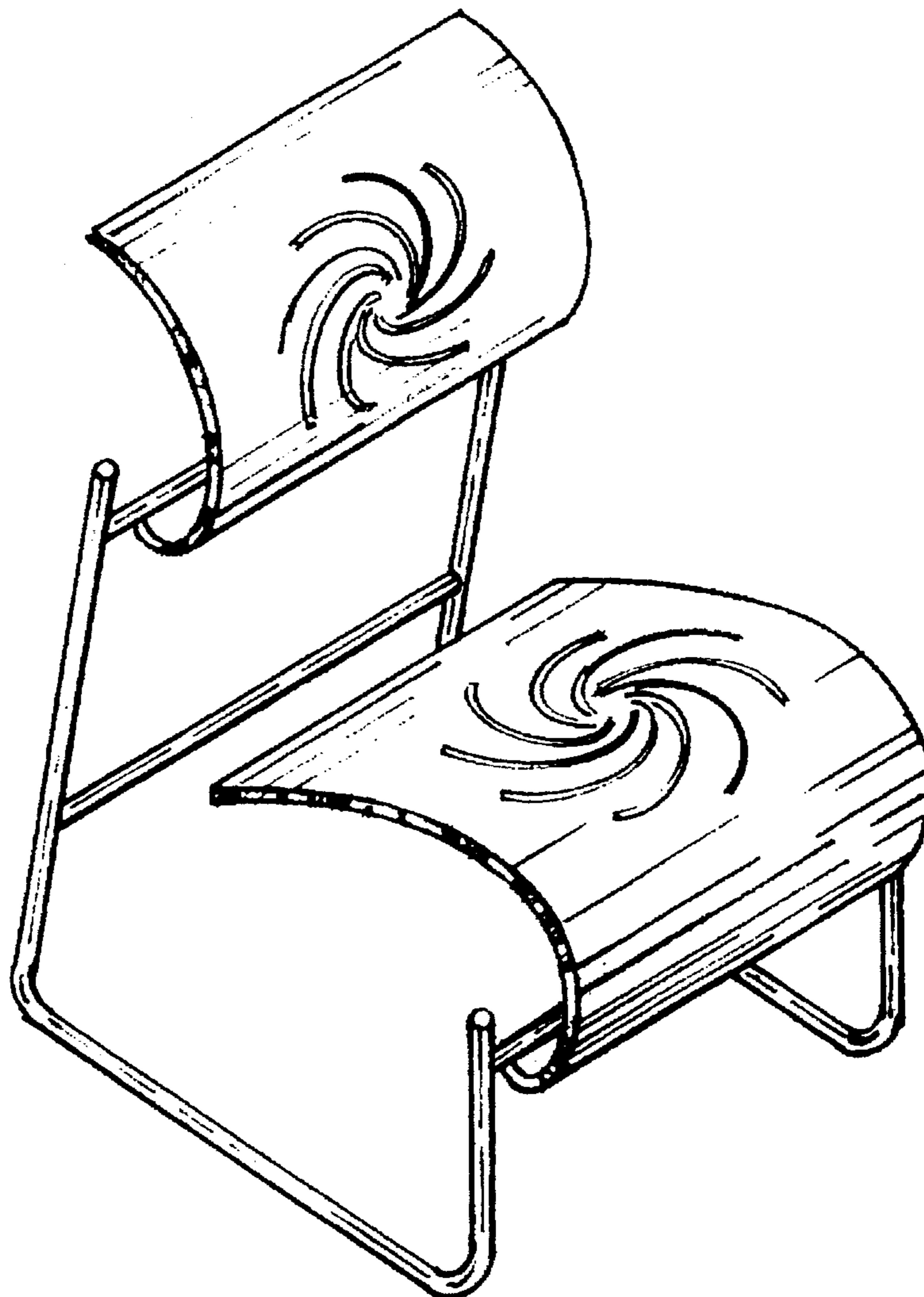
FIG. 1 is a left side elevation view of a chair showing my new design, the right side being a mirror image thereof; FIG. 2 is a front perspective view thereof, the seat and backrest having been removed for ease of illustration; and, FIG. 3 is a front perspective view thereof; the spiral grooves on the seat and backrest are cut into the sheet metal, the undisclosed views are plain.

### [56] References Cited

#### U.S. PATENT DOCUMENTS

D. 179,442	12/1956	Collins	.....	D6/374
D. 225,923	1/1973	Morrison et al.	.....	D6/373
D. 249,989	10/1978	Radaelli	.....	D6/373
D. 271,637	12/1983	Offredi	.....	D6/373
D. 333,044	2/1993	Caruso	.....	D6/373
D. 339,244	9/1993	Fahnstrom et al.	.....	D6/373

**1 Claim, 1 Drawing Sheet**



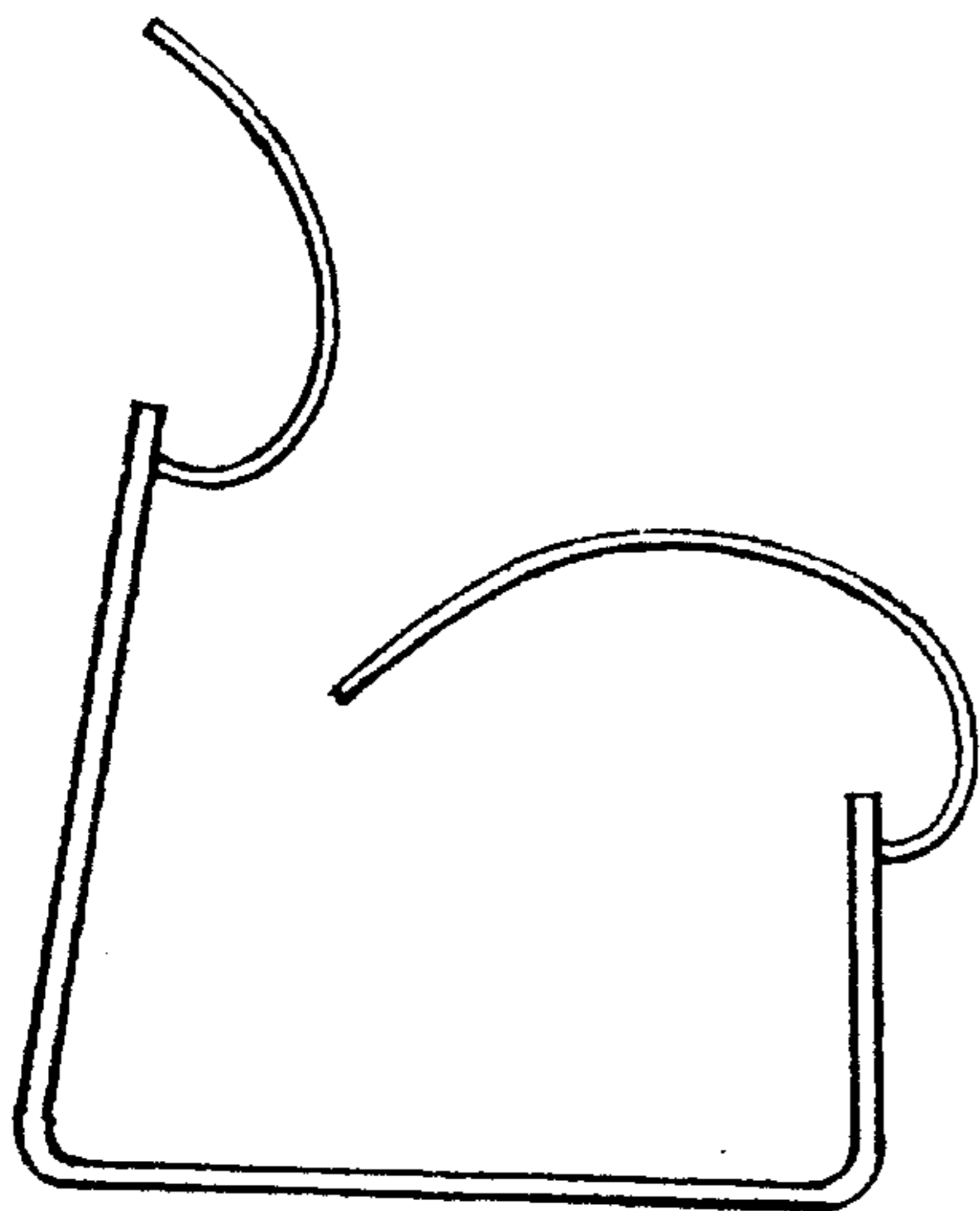


fig. 1

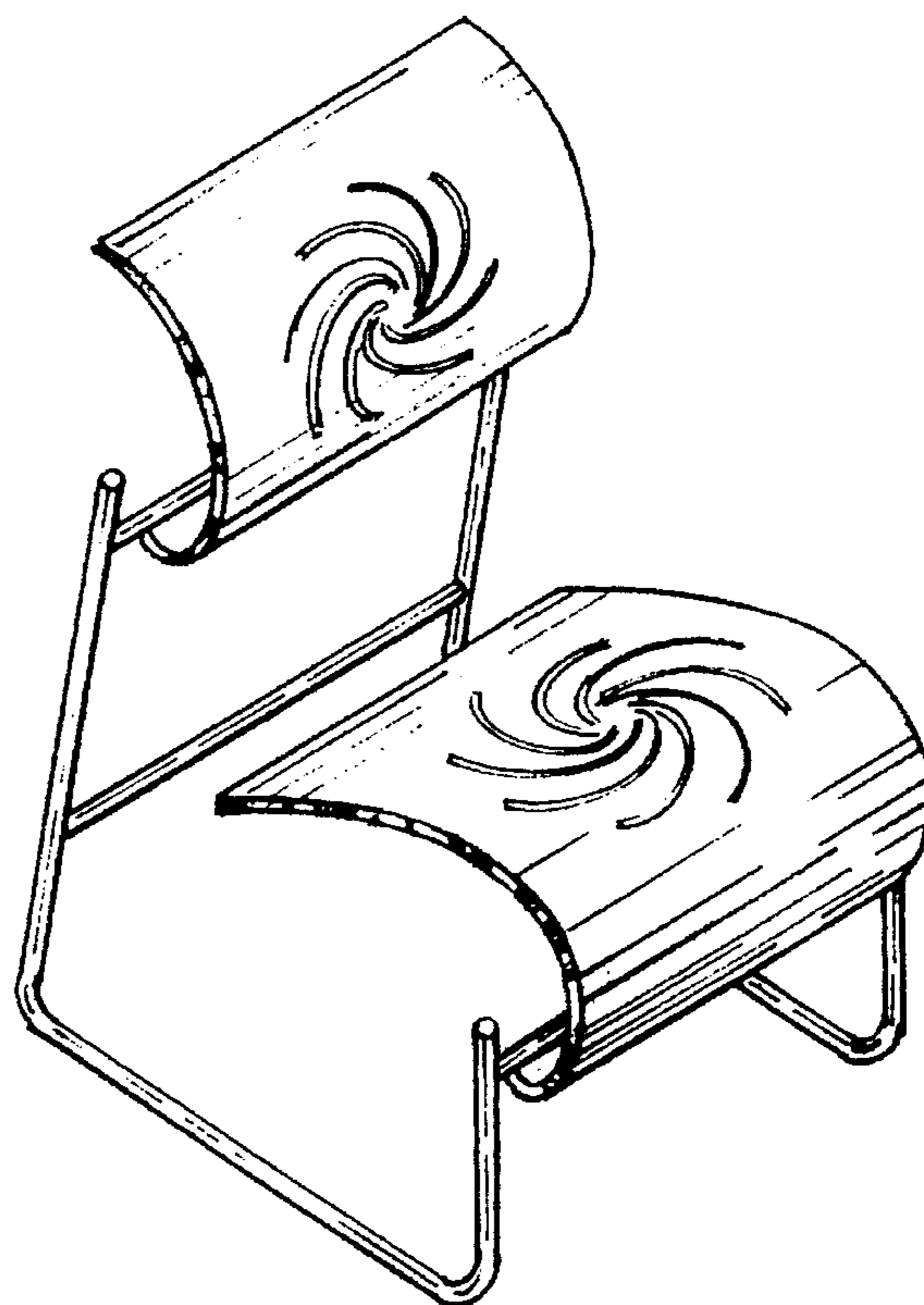


fig. 3

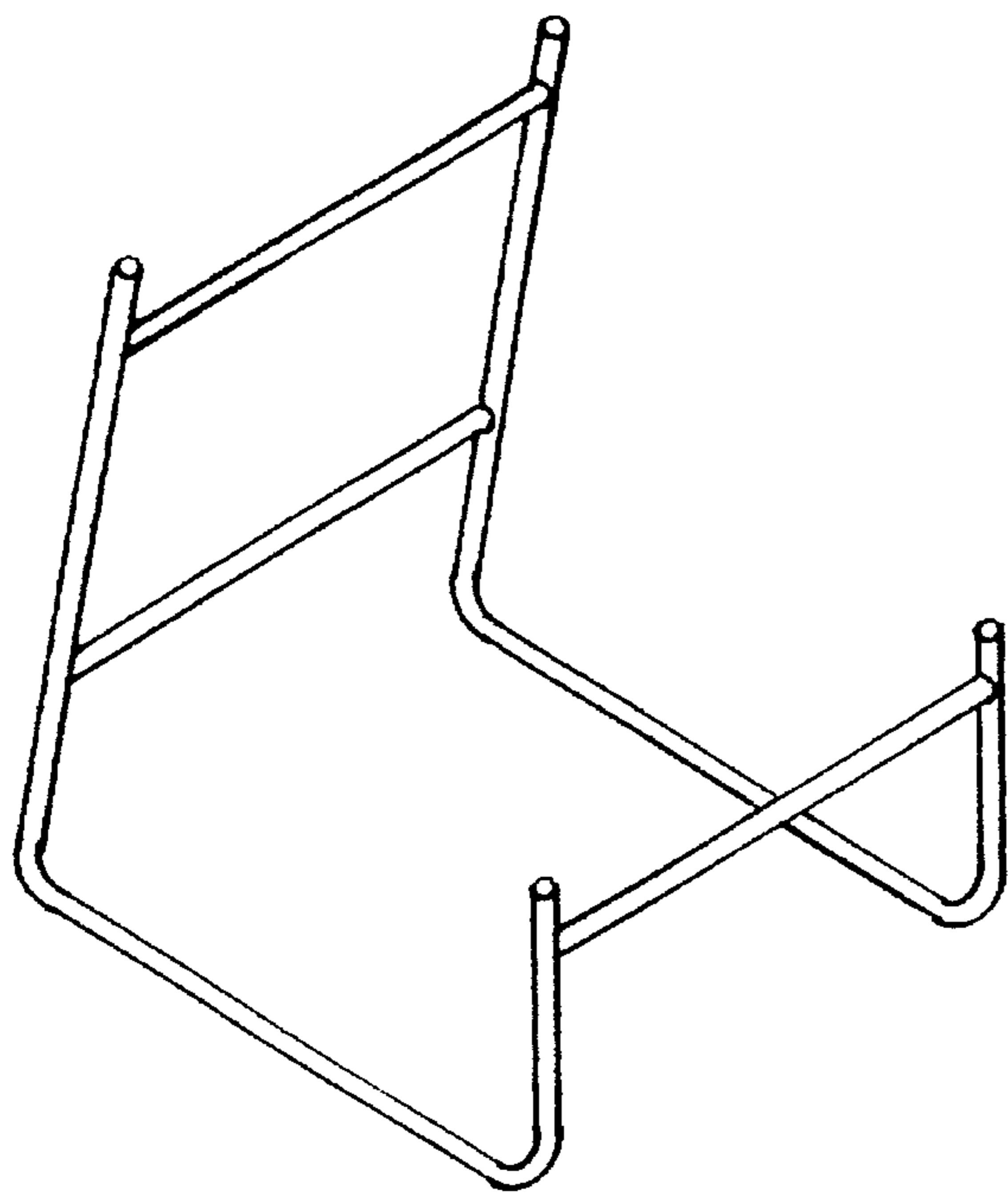


fig. 2