



US00D375843S

United States Patent [19]
Wolfenden

[11] **Patent Number:** **Des. 375,843**
[45] **Date of Patent:** ****Nov. 26, 1996**

[54] **BROOM HANDLE CONNECTOR**

[75] Inventor: **Anthony H. Wolfenden**, Elwood, Australia

[73] Assignee: **The Decor Corporation Pty Ltd**, Victoria, Australia

[**] Term: **14 Years**

[21] Appl. No.: **44,088**

[22] Filed: **Sep. 18, 1995**

[52] U.S. Cl. **D4/199; D8/382**

[58] **Field of Search** **D4/199; D8/349, D8/354, 382, 387; 15/145, 176.2; 403/299, 300, 314, 342, 343, 287**

[56] **References Cited**

U.S. PATENT DOCUMENTS

D. 298,605	11/1988	Colgan et al.	D8/382
658,313	9/1900	Bernardi	403/300
4,003,668	1/1977	Kelly, III et al.	403/299 X
5,385,420	1/1995	Newman, Sr. et al.	403/299

OTHER PUBLICATIONS

U.S. Sunshine Industries Catalogue of 1994. Brooms pp. 4 & 12.

Primary Examiner—A. Hugo Word

Assistant Examiner—Lavone D. Tabor
Attorney, Agent, or Firm—Lowe, Price, LeBlanc & Becker

[57] **CLAIM**

The ornamental design for a broom handle connector, as shown and described.

DESCRIPTION

FIG. 1 is a perspective view from above and one side thereof;

FIG. 2 is a perspective view from below and the other side thereof;

FIG. 3 is a reduced top view thereof;

FIG. 4 is a front view thereof;

FIG. 5 is an underneath view thereof;

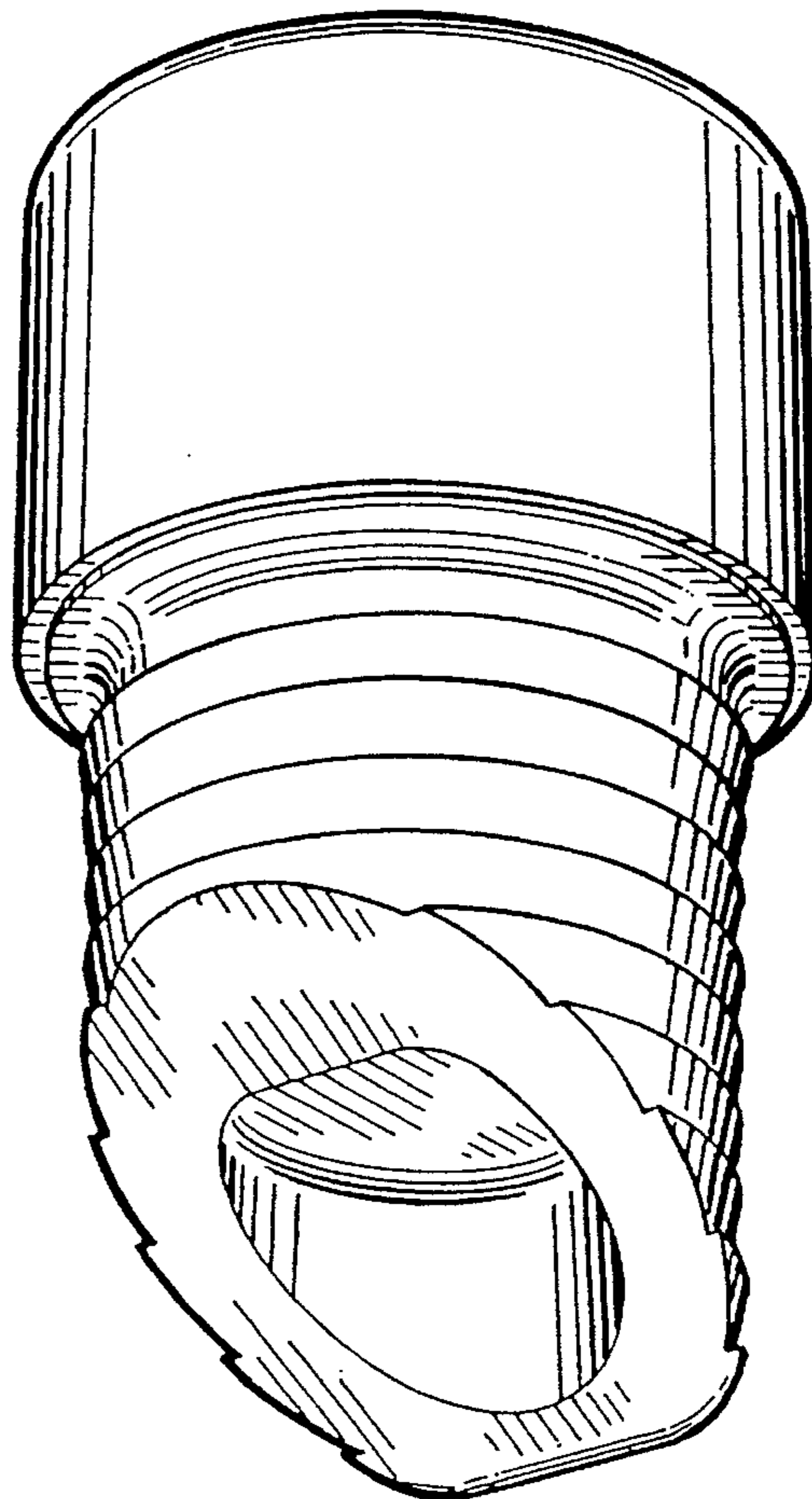
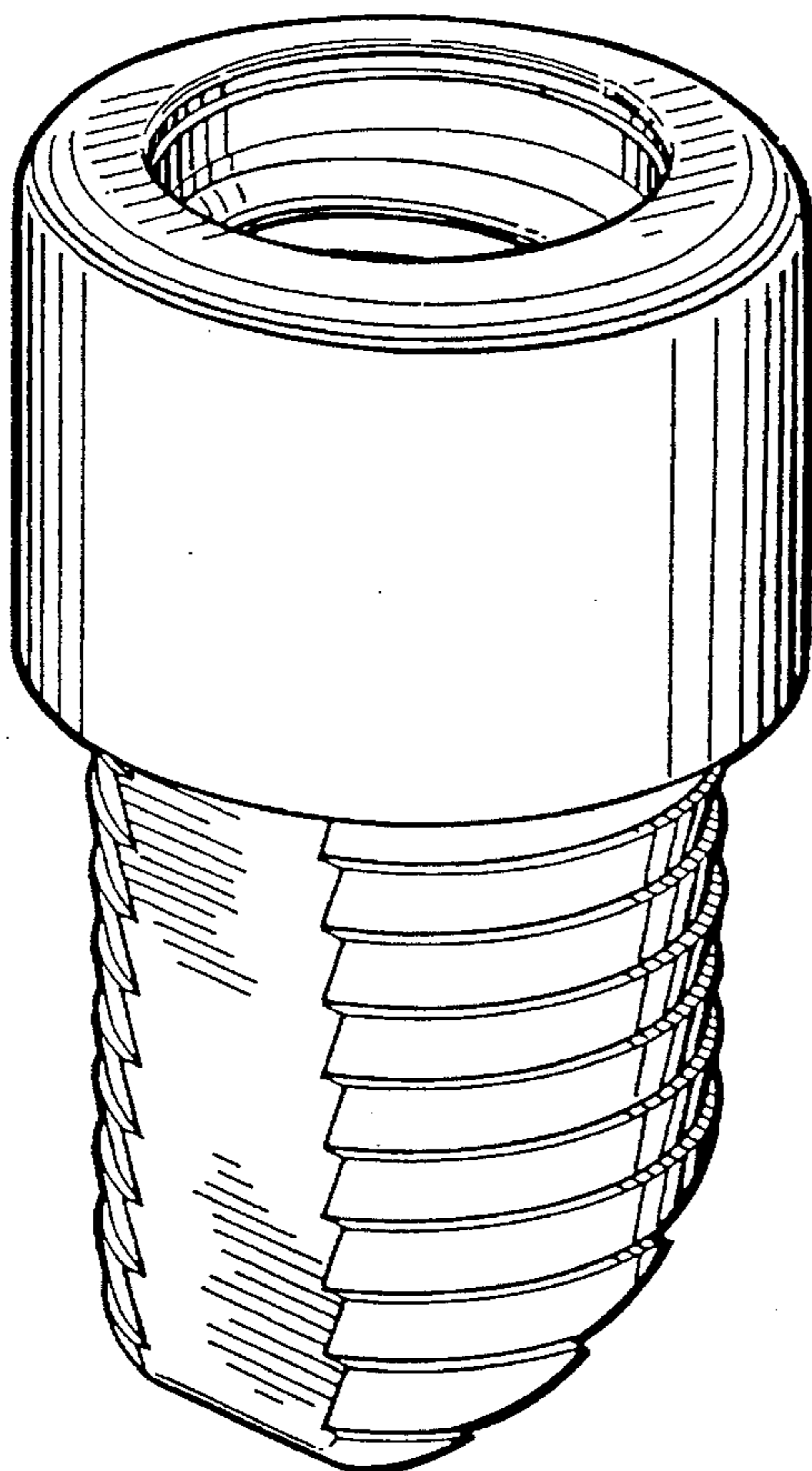
FIG. 6 is a side view in the direction of arrow 6 thereof;

FIG. 7 is a rear view thereof;

FIG. 8 is a side view of the opposite side as shown in FIG. 6 and in the direction of arrow 8 thereof; and,

FIG. 9 is a cross sectional view along section line 9—9 thereof.

1 Claim, 2 Drawing Sheets



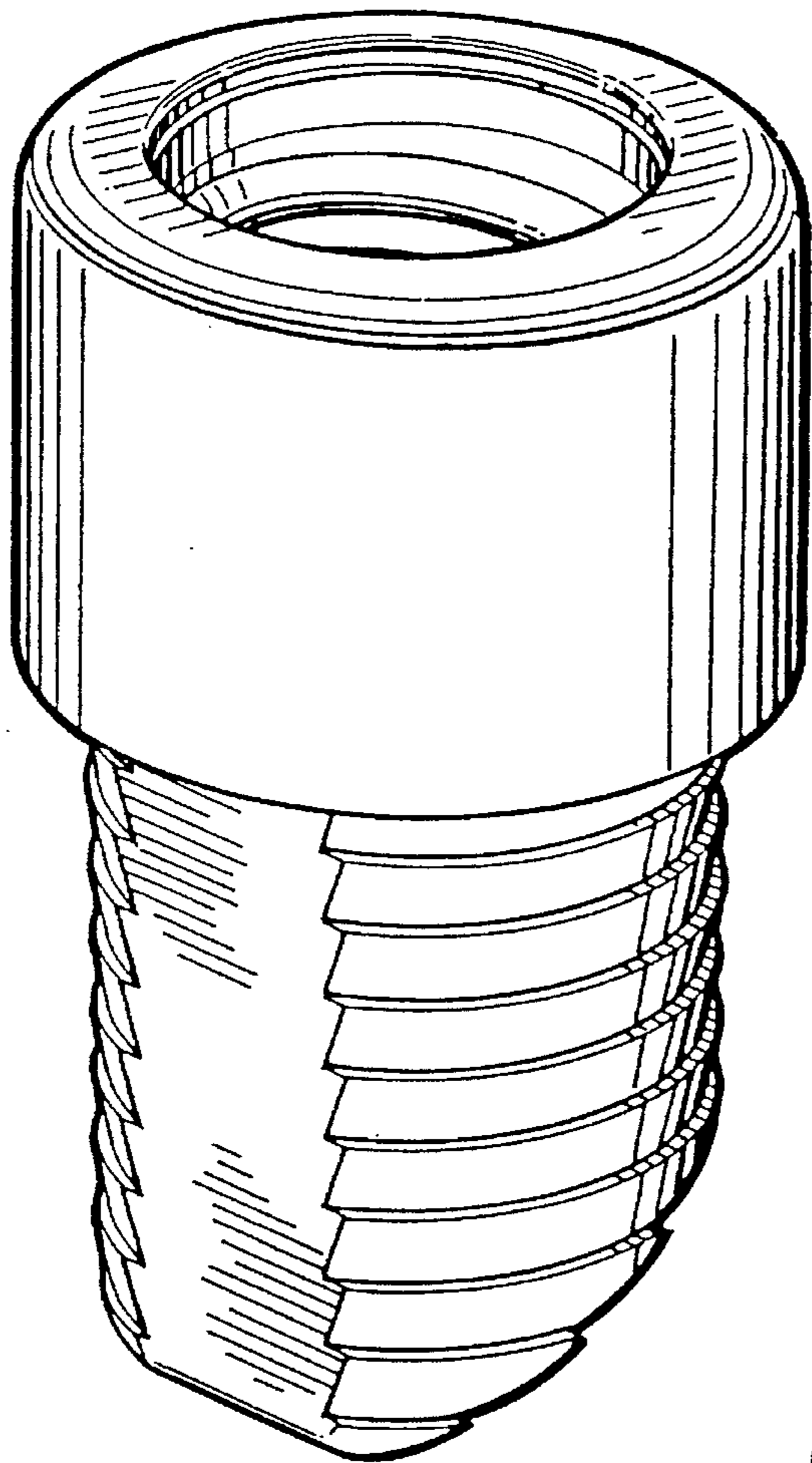


FIG. 1.

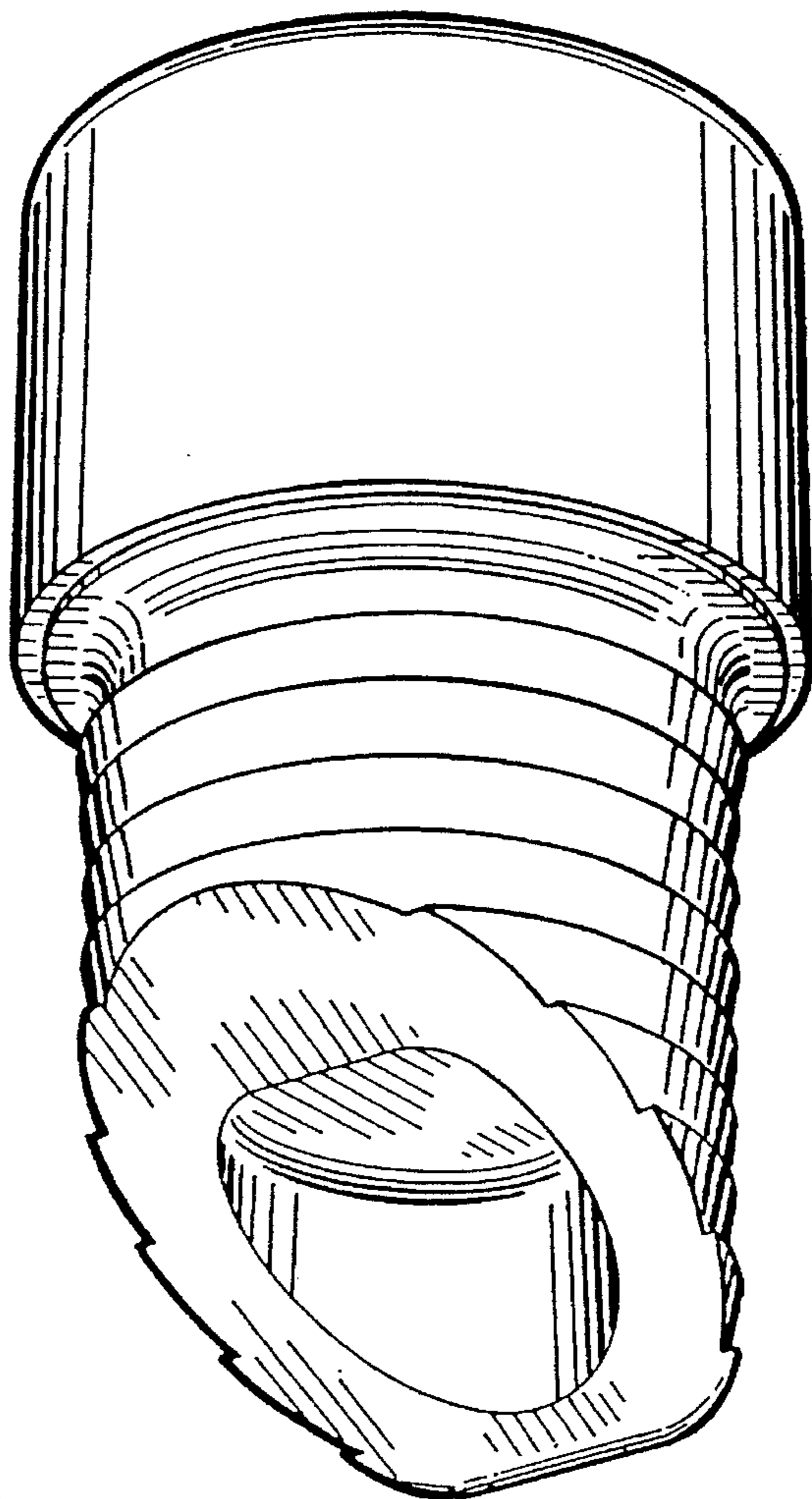
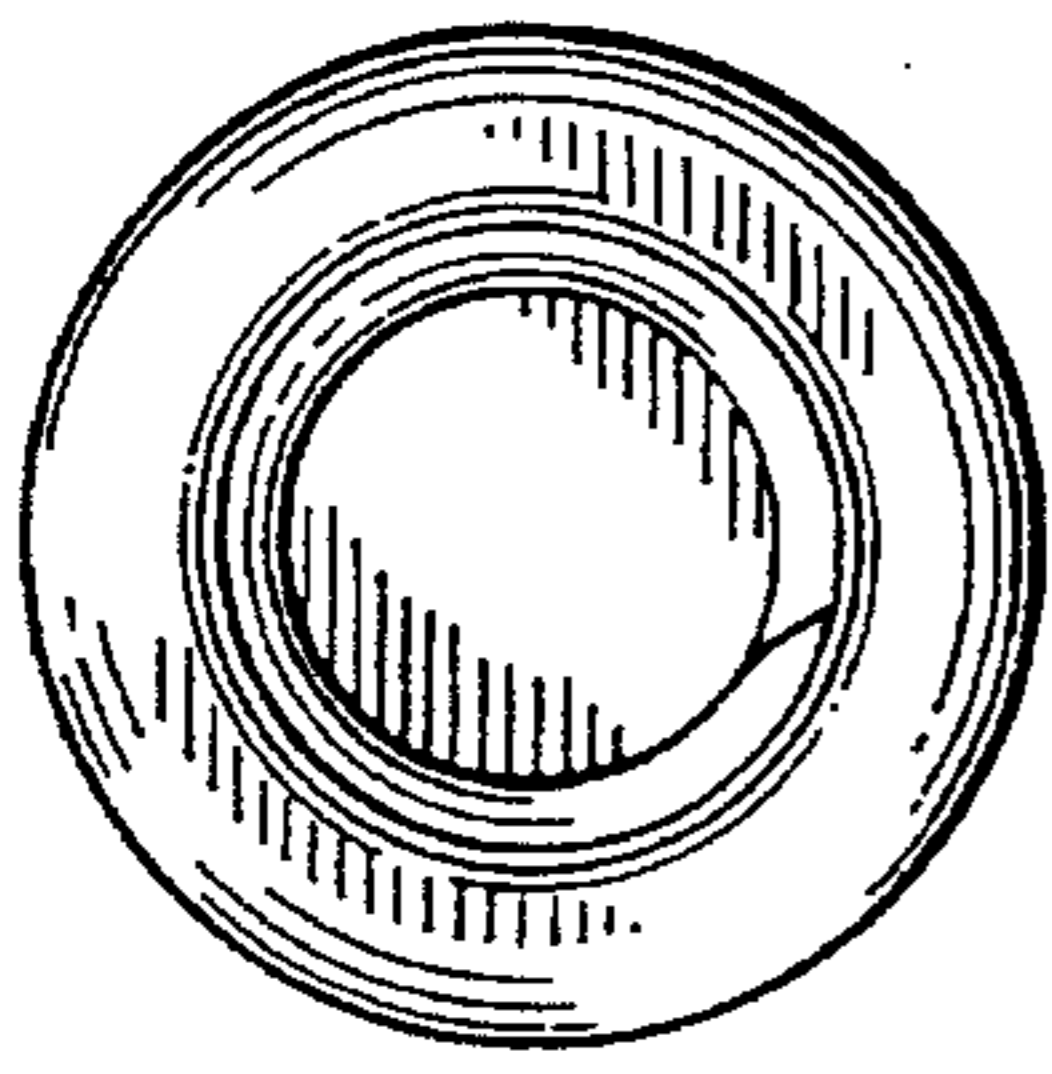
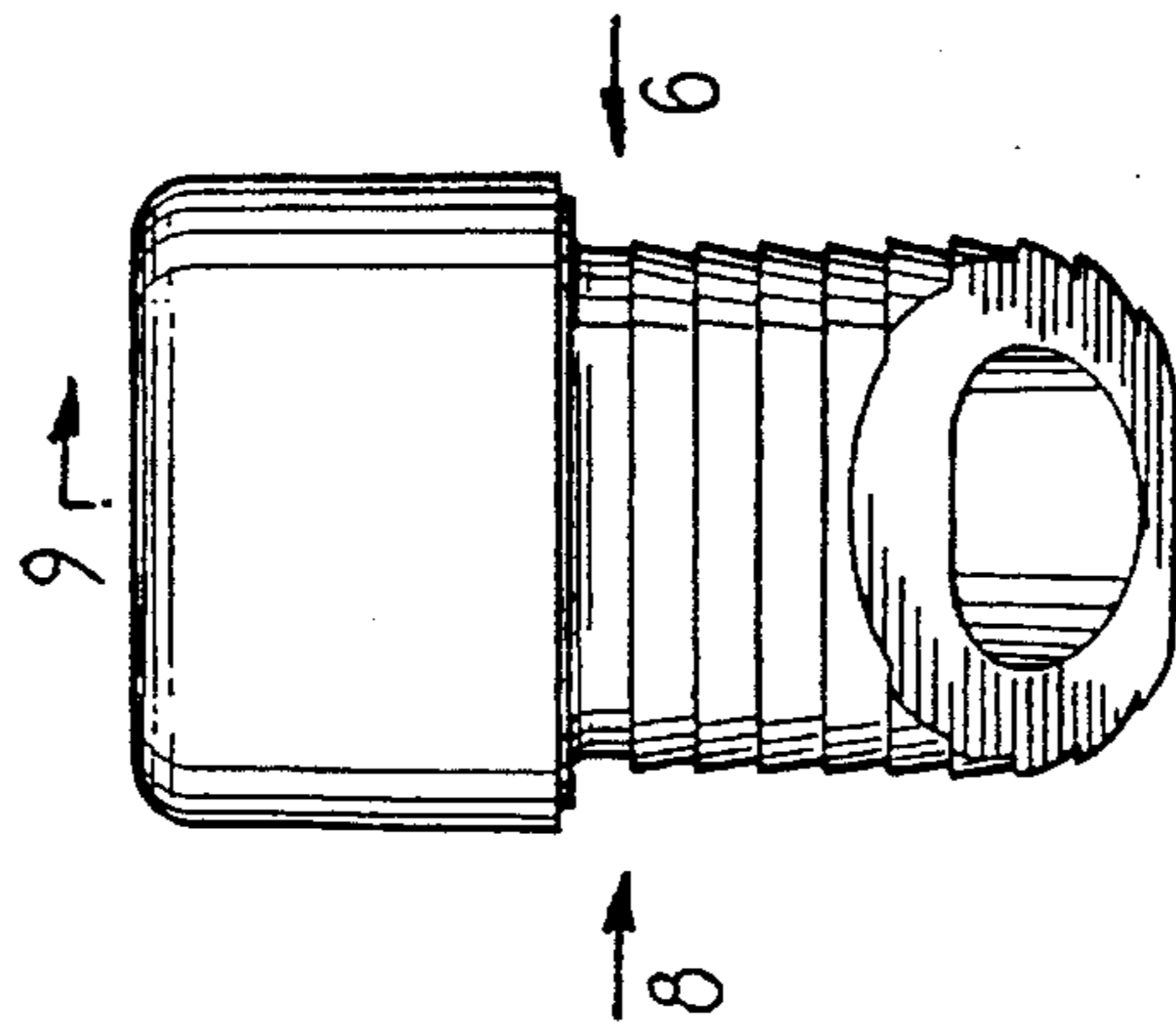


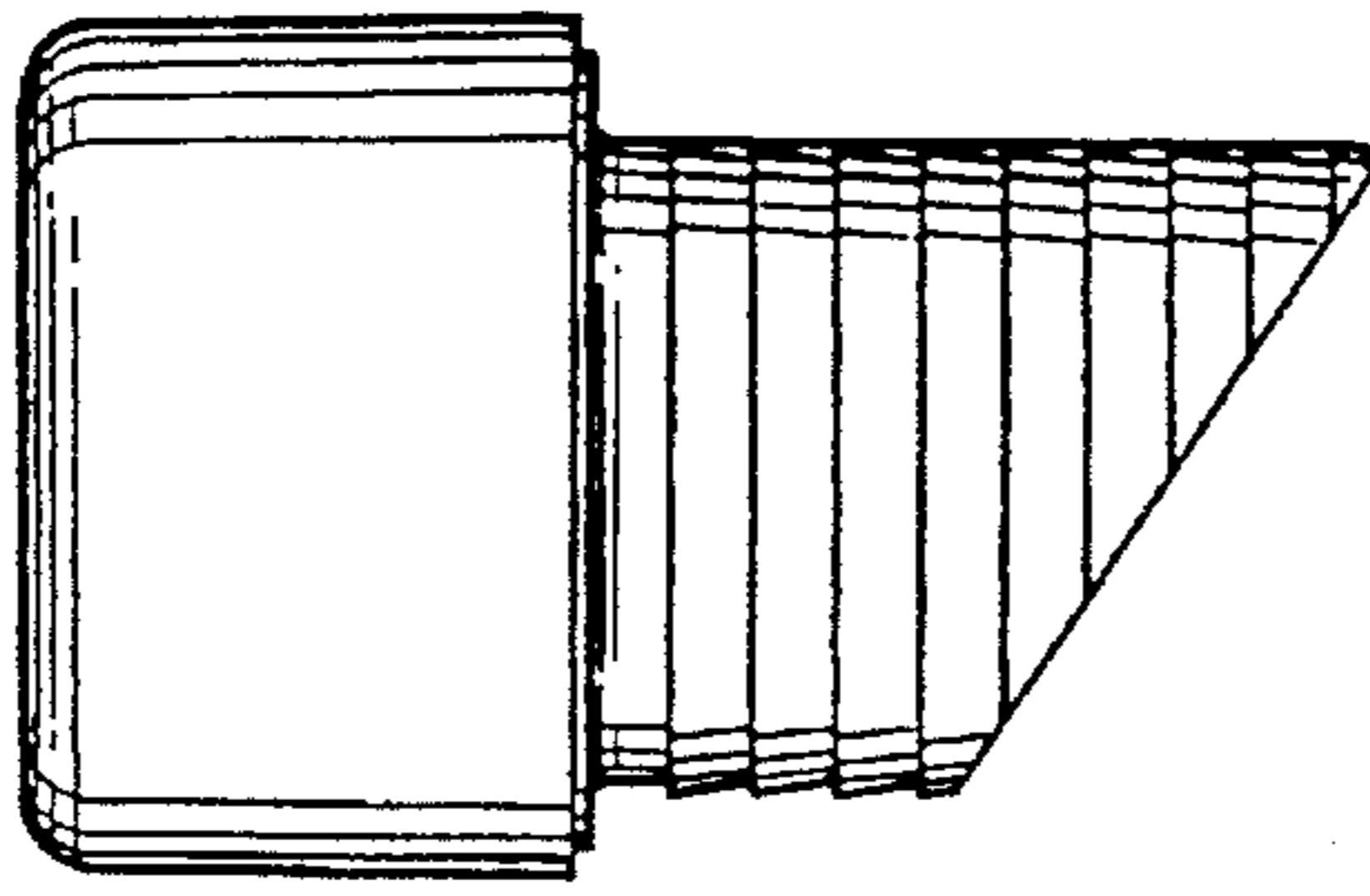
FIG. 2.



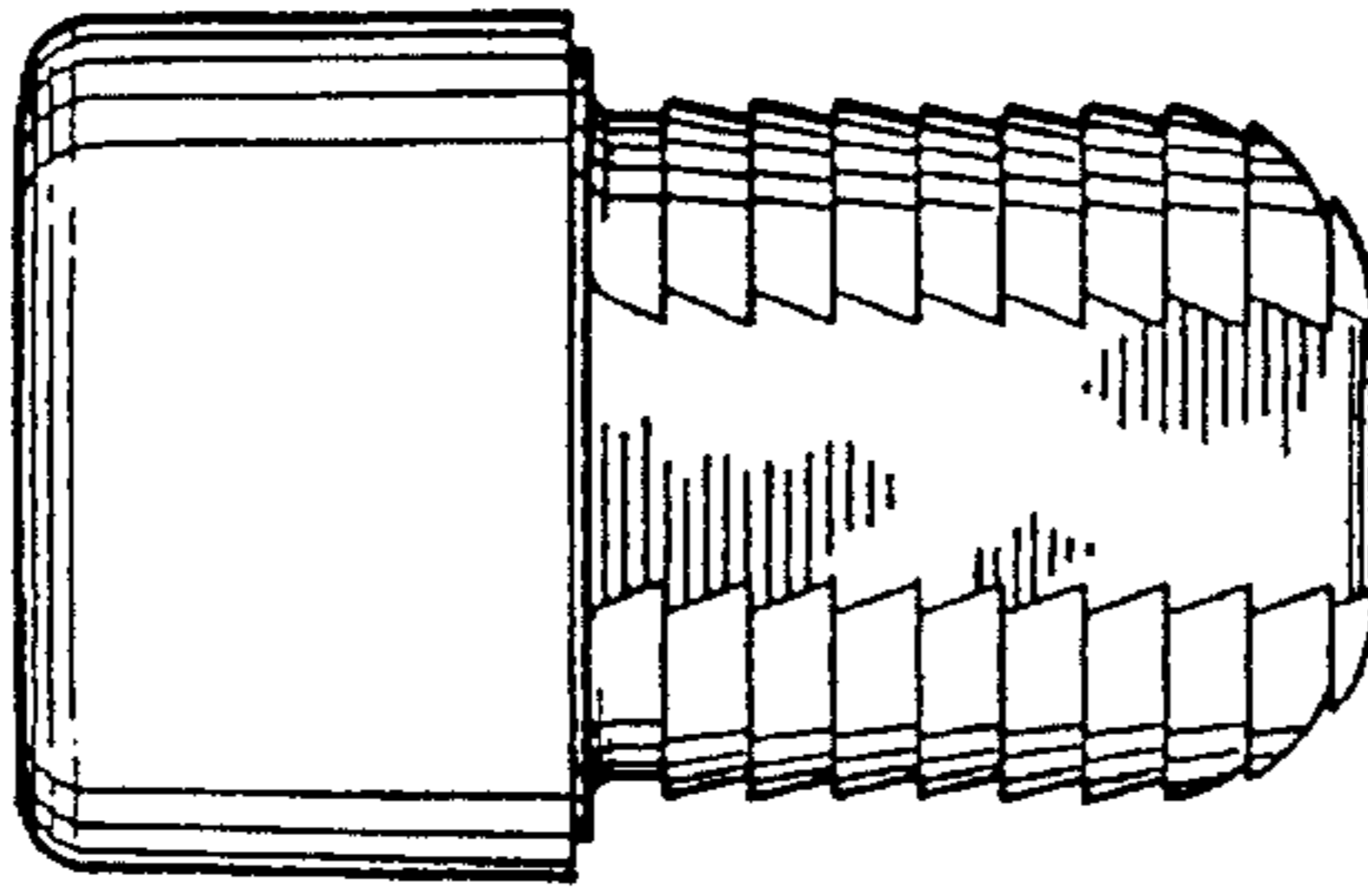
III. 3.



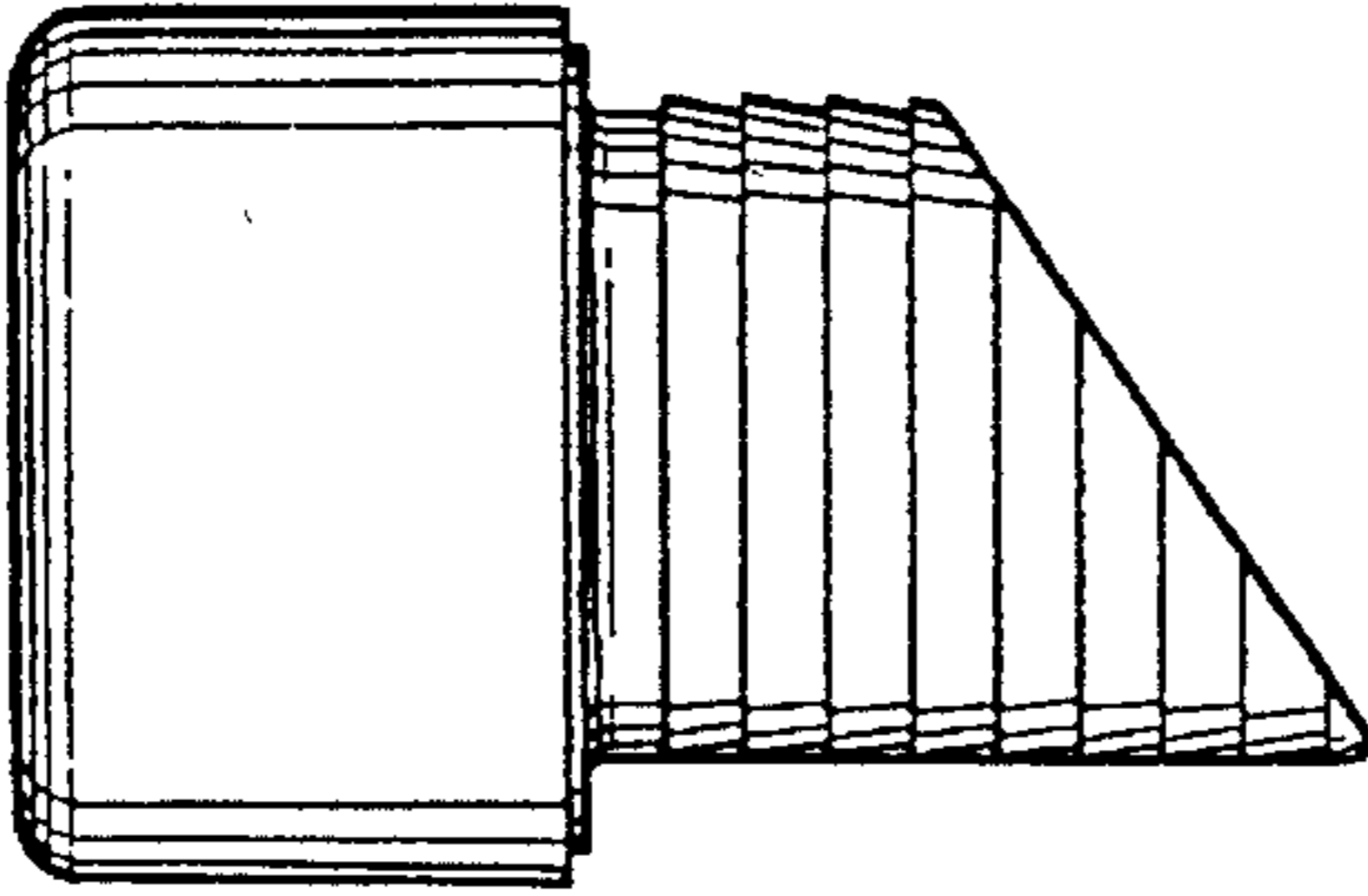
III. 4.



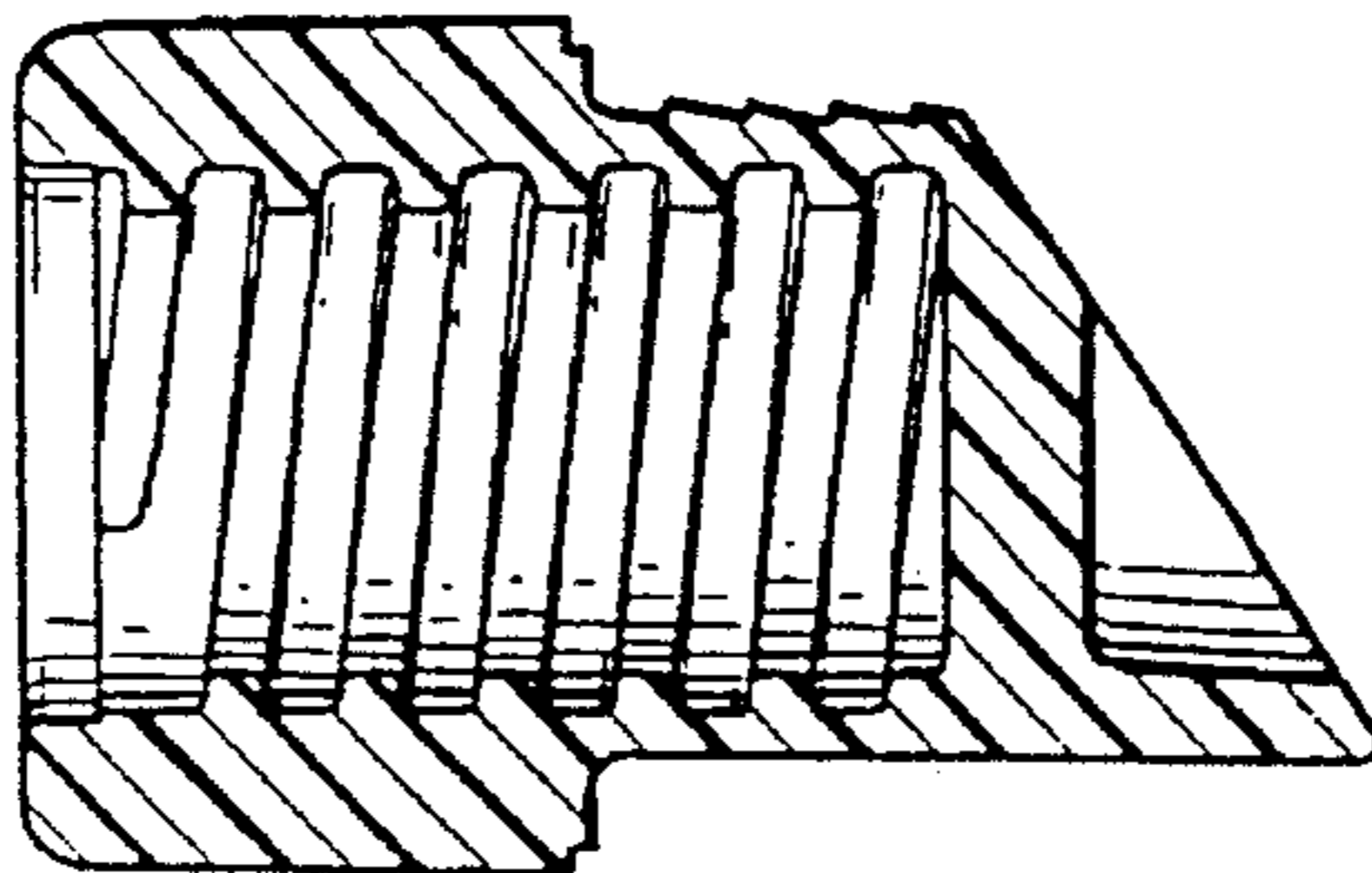
III. 6.



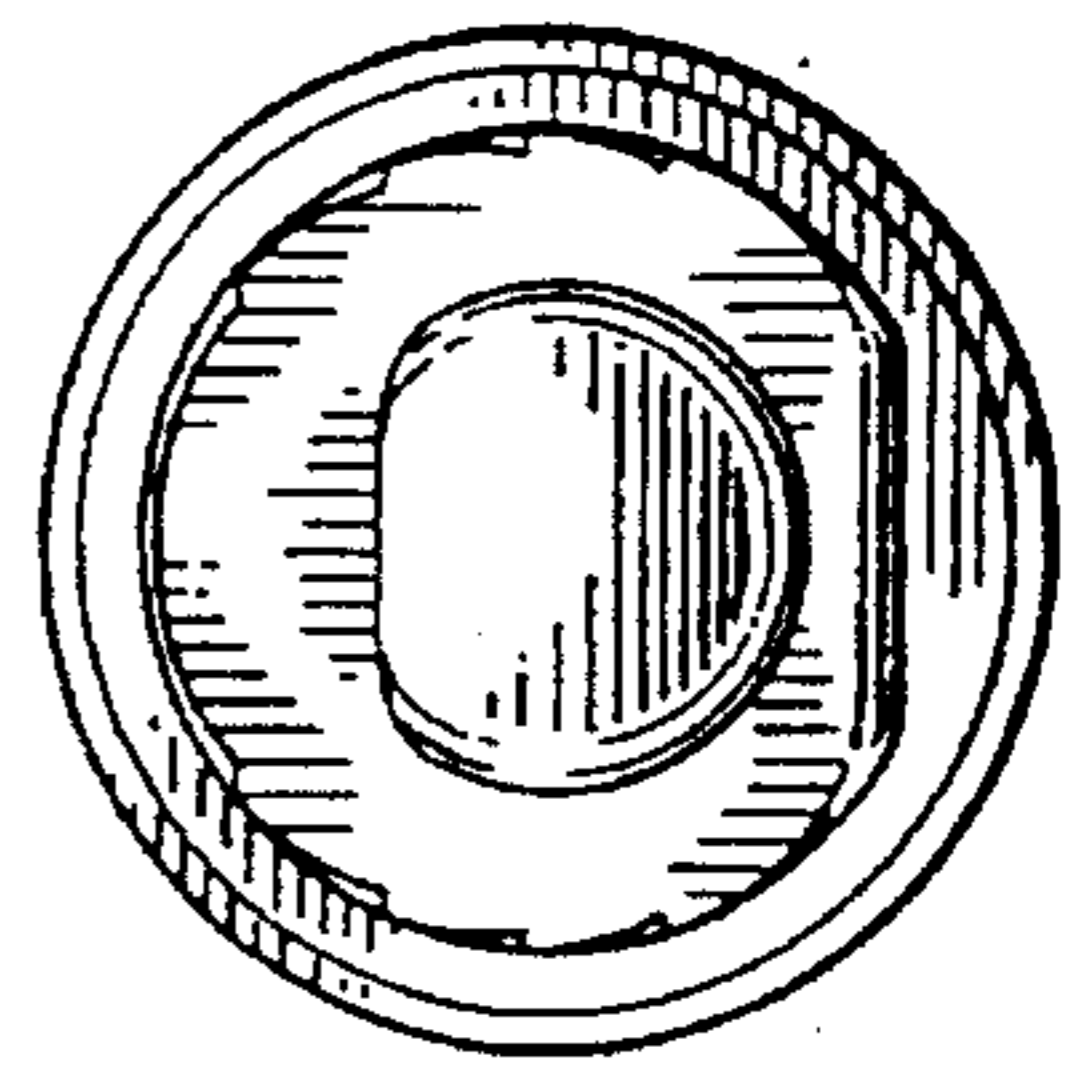
III. 7.



III. 8.



III. 9.



III. 5.