



US00D375840S

# United States Patent [19]

Ando

[11] Patent Number: **Des. 375,840**

[45] Date of Patent: **\*\*Nov. 26, 1996**

[54] **INTERDENTAL BRUSH HEAD**

[76] Inventor: **Kyosuke Ando**, Green-Heights 6-7-501,  
550 Nagasawa, Yokosuka-shi,  
Kanagawa-ken, Japan

[\*\*] Term: **14 Years**

[21] Appl. No.: **47,249**

[22] Filed: **Nov. 30, 1995**

[30] **Foreign Application Priority Data**

Jul. 5, 1995 [JP] Japan ..... 7-19136

[52] U.S. Cl. .... **D4/105**

[58] **Field of Search** ..... D4/104-112, 119,  
D4/130, 132; D24/146, 152, 176; D28/64;  
15/22.1, 22.2, 23, 27-28, 159.1, 160, 167.1,  
167.2, 171, 190, 191.1; 132/308-309; 433/118,  
124, 125, 141, 147; 601/139-142

[56] **References Cited**

**U.S. PATENT DOCUMENTS**

D. 240,095 6/1976 Sims ..... D4/106

1,338,821 5/1920 Freeman ..... 15/27  
5,071,348 12/1991 Woog ..... 433/118

**FOREIGN PATENT DOCUMENTS**

475314 3/1992 European Pat. Off. .... 15/171

*Primary Examiner*—A. Hugo Word  
*Assistant Examiner*—Lavone D. Tabor  
*Attorney, Agent, or Firm*—Saidman DesignLaw Group

[57] **CLAIM**

The ornamental design for an interdental brush head, as shown and described.

**DESCRIPTION**

FIG. 1 is a perspective view of an interdental brush head showing my new design;  
FIG. 2 is a top plan view thereof;  
FIG. 3 is a front elevational view thereof;  
FIG. 4 is a rear elevational view thereof;  
FIG. 5 is a bottom plan view thereof; and,  
FIG. 6 is a left end elevational view thereof, the right end elevational view being a mirror image thereof.

**1 Claim, 3 Drawing Sheets**

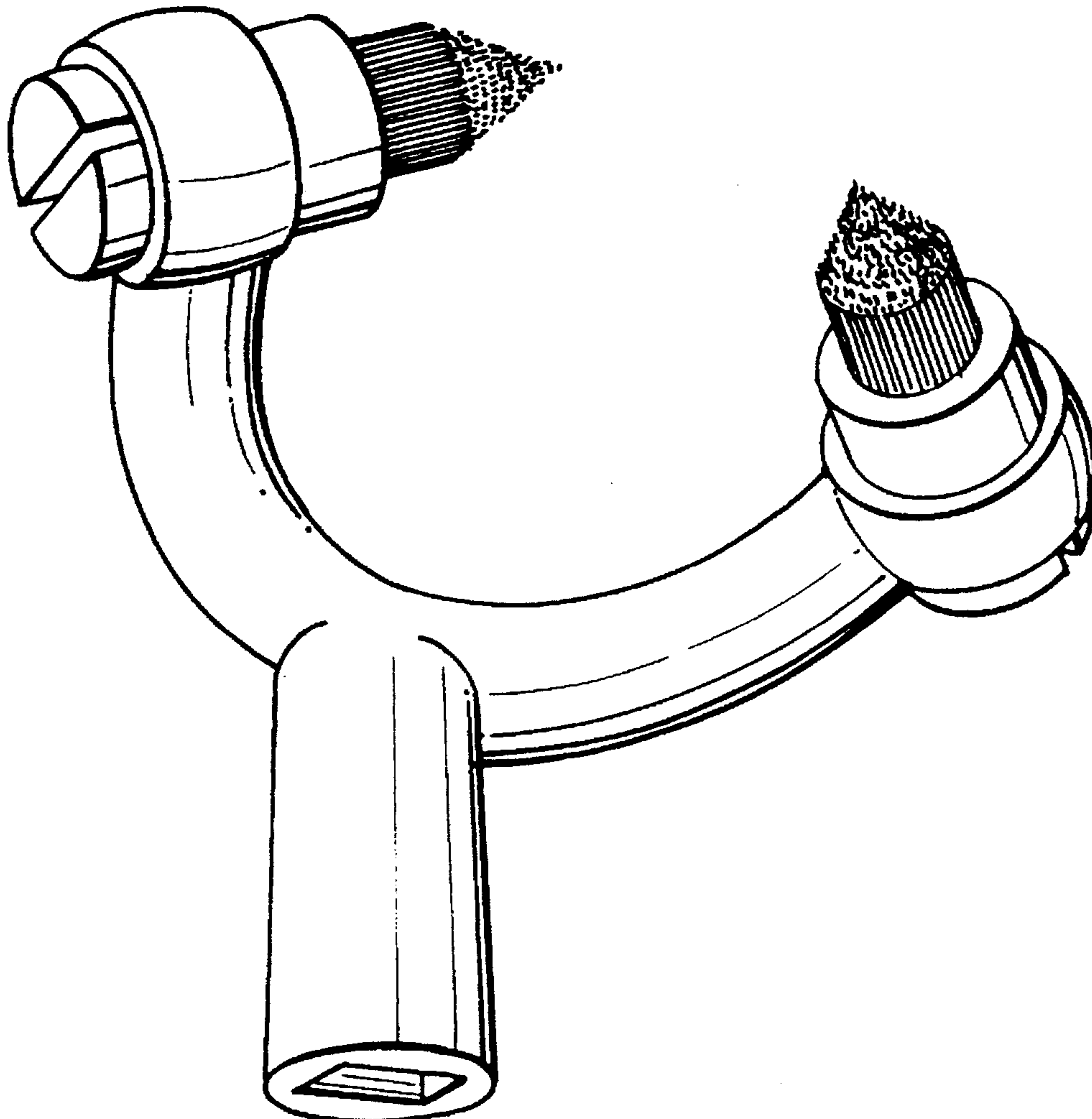


FIG. 1

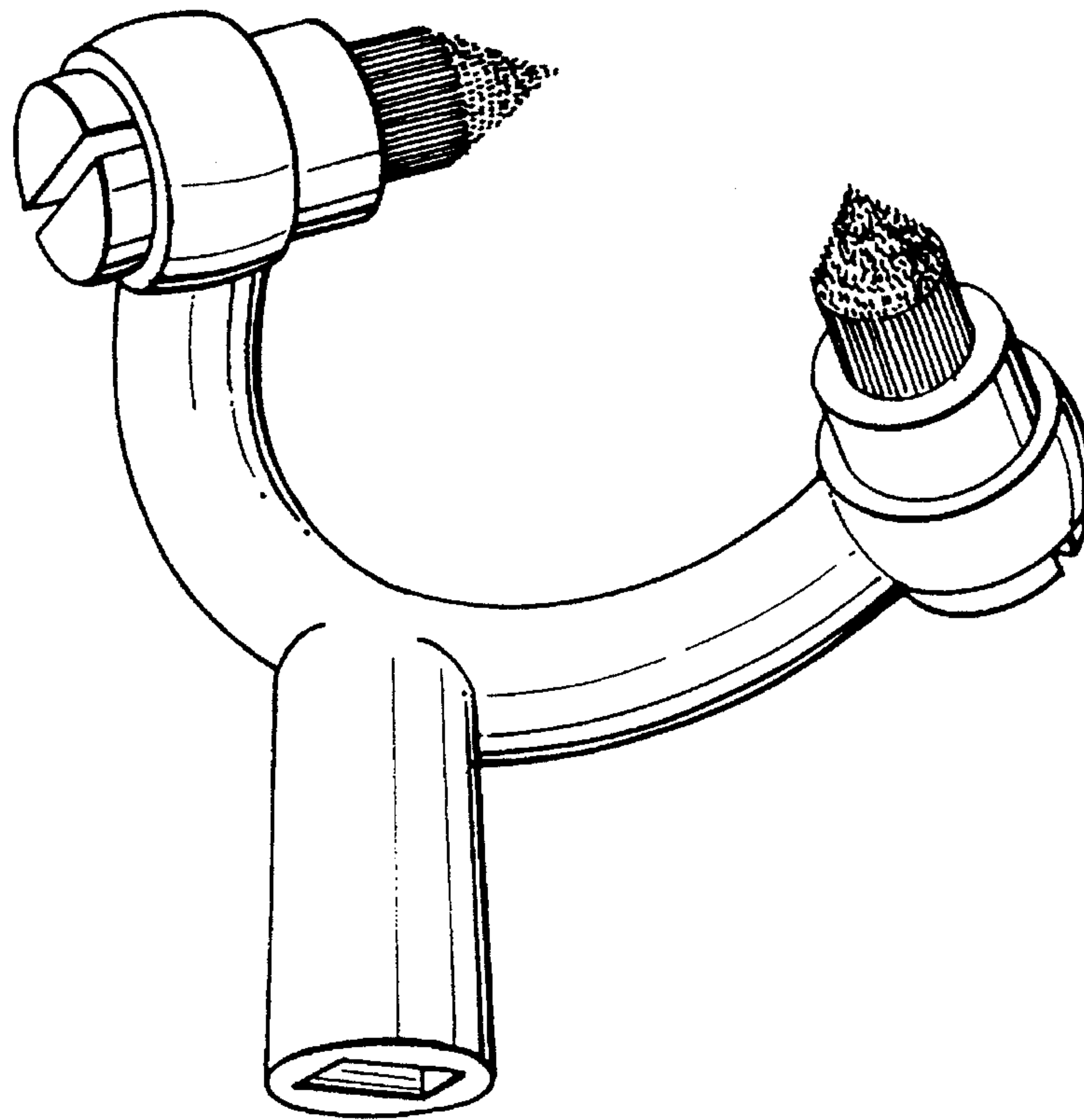


FIG. 2

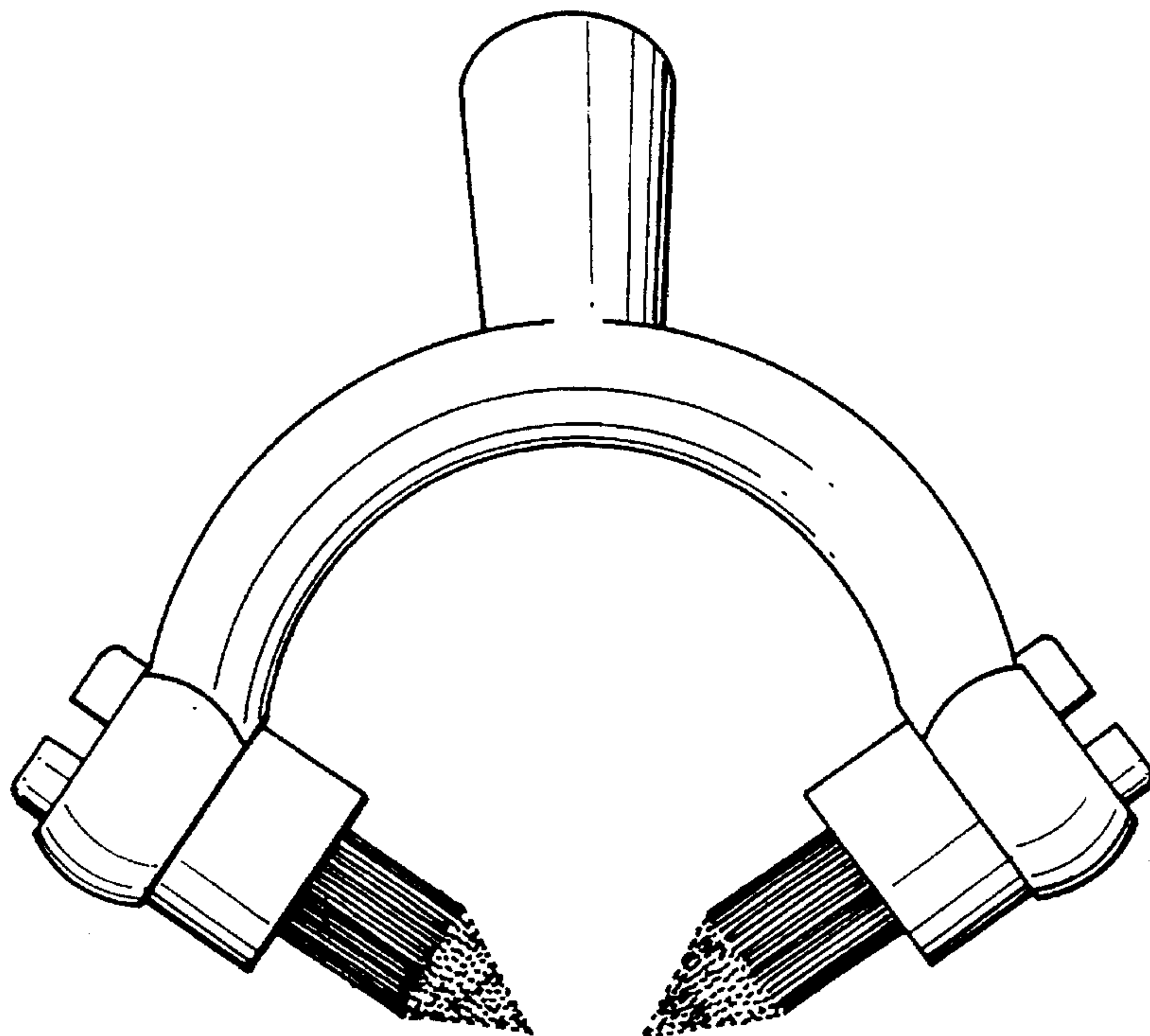


FIG.3

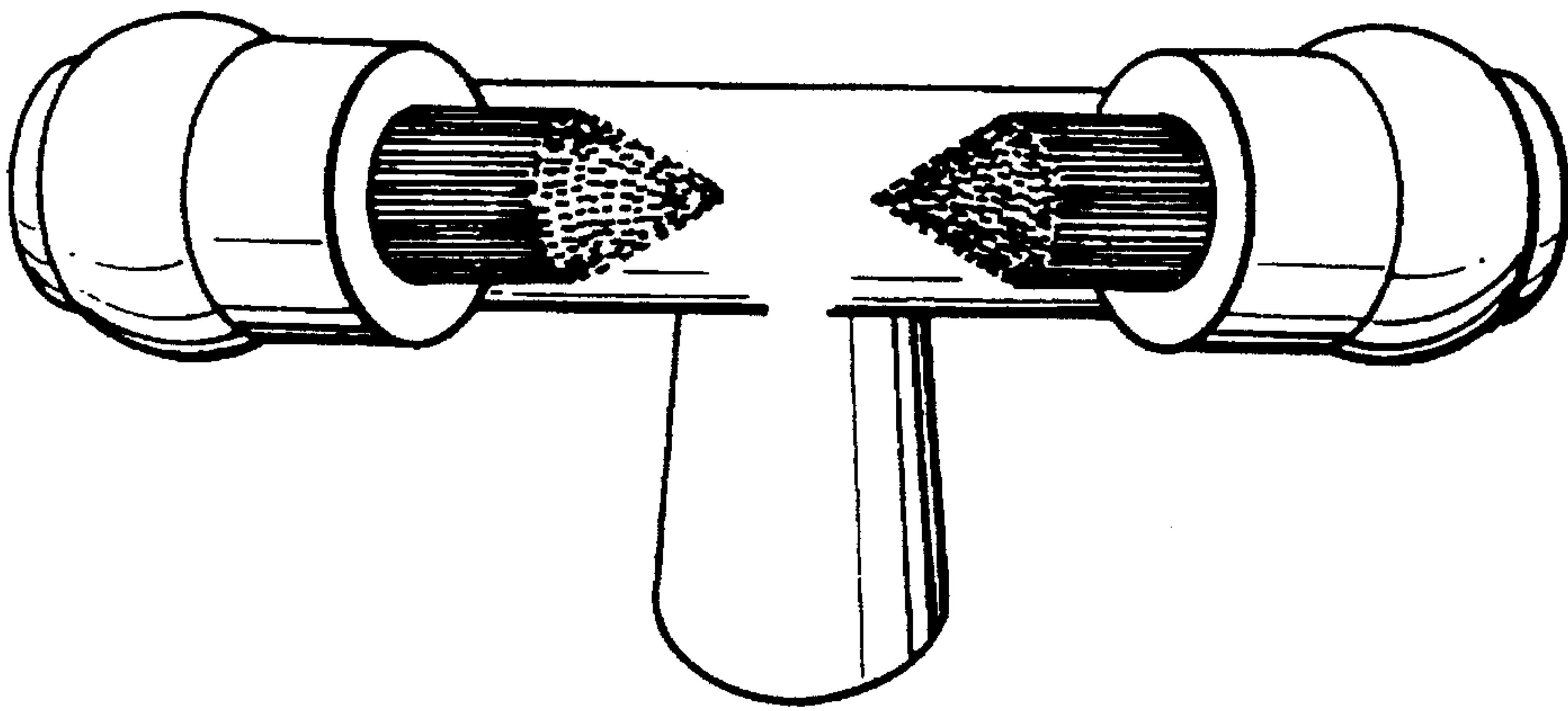


FIG.4

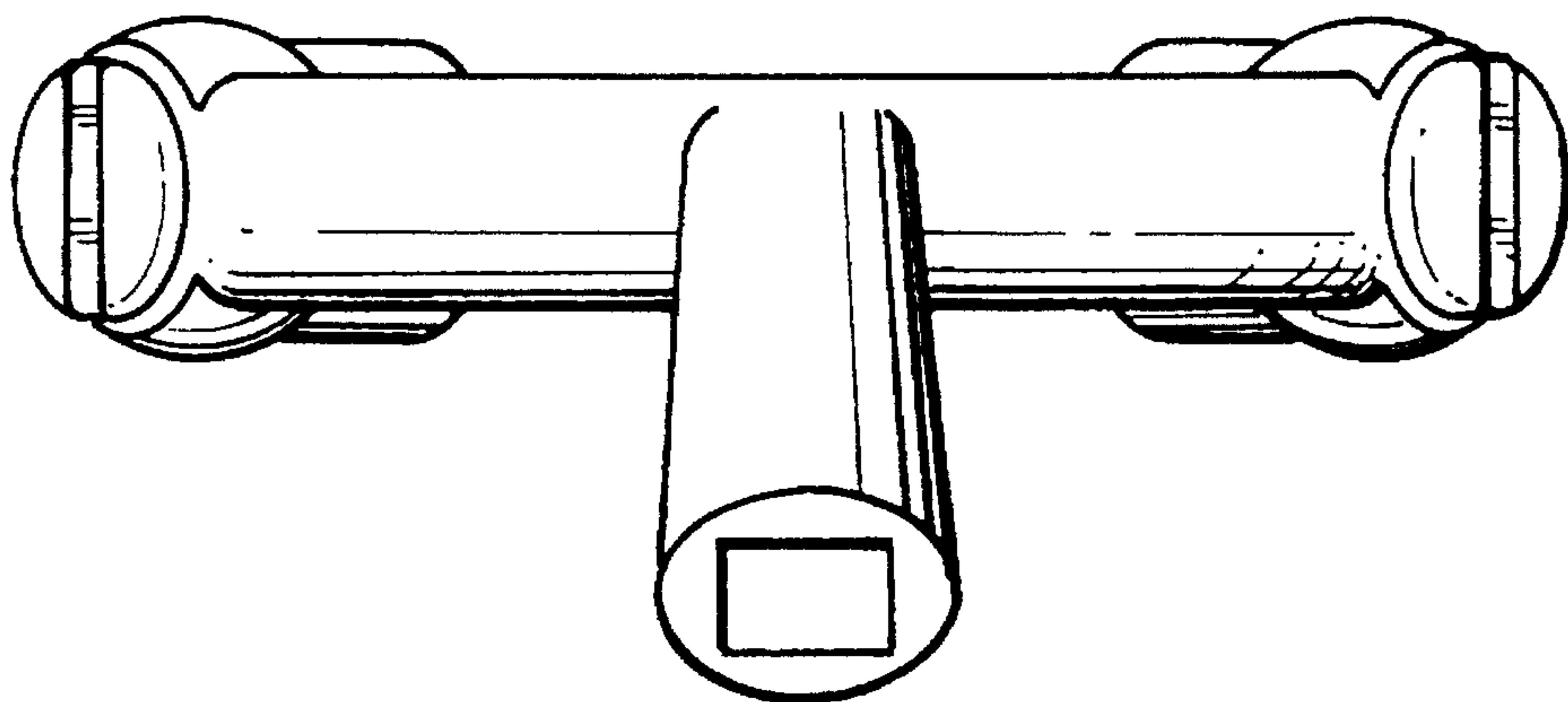


FIG. 5

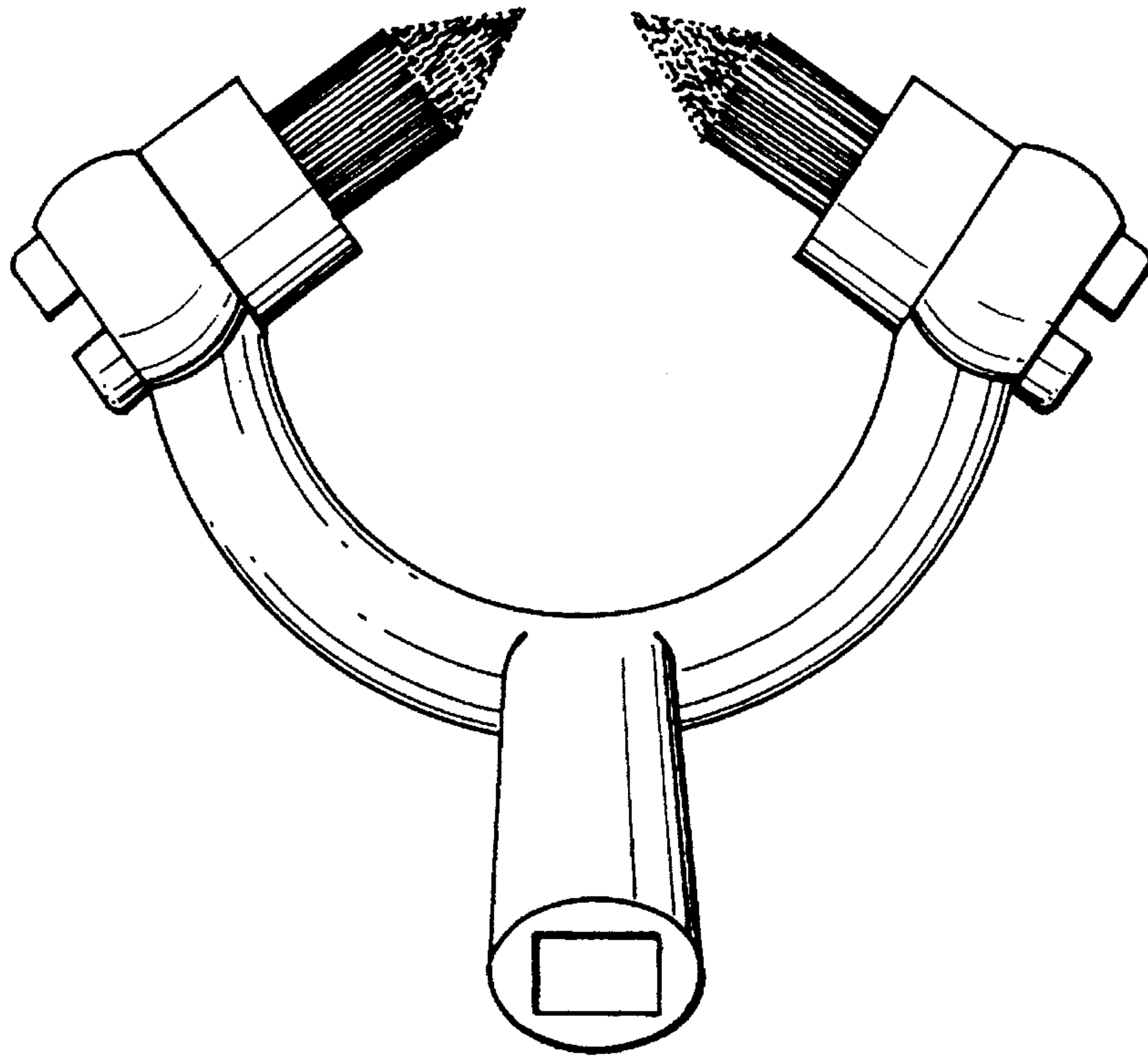


FIG. 6

