



US00D375839S

United States Patent [19]

Schiano et al.

[11] Patent Number: **Des. 375,839**

[45] Date of Patent: ****Nov. 26, 1996**

[54] **TOOTHBRUSH HANDLE**

4,523,599 6/1985 Collet 211/65 X
4,995,515 2/1991 Smith 211/65

[76] Inventors: **Travis Schiano; Lisa A. Schiano**,
mother & natural guardian, both of 12
Dorothy La., Kings Park, N.Y. 11754

Primary Examiner—A. Hugo Word
Assistant Examiner—Lavone D. Tabor
Attorney, Agent, or Firm—Alfred M. Walker

[**] Term: **14 Years**

[57] **CLAIM**

[21] Appl. No.: **22,808**

The ornamental design for a toothbrush handle, as shown
and described.

[22] Filed: **May 12, 1994**

[52] U.S. Cl. **D4/104**

DESCRIPTION

[58] **Field of Search** D4/104-112, 116,
D4/130, 132, 138; 15/105, 143.1, 159.1,
160, 167.1, 167.2, 186-187; 132/308-309;
211/65; 248/110-111

FIG. 1 is a perspective view;
FIG. 2 is a top view from directly on top;
FIG. 3 is a front elevation view from the very front;
FIG. 4 is a rear elevation view from the back;
FIG. 5 is a right side view;
FIG. 6 is a left side view; and,
FIG. 7 is a bottom view from upside down.
The broken lines showing bristles and a mounting base are
for illustrative purposes only and form no part of the claimed
design.

[56] **References Cited**

U.S. PATENT DOCUMENTS

669,402 3/1901 Rose 15/167.1
3,002,630 10/1961 Heisser 248/110 X
3,474,481 10/1969 Soleymani et al. 15/167.1
4,457,039 7/1984 Massari 15/167.1

1 Claim, 2 Drawing Sheets

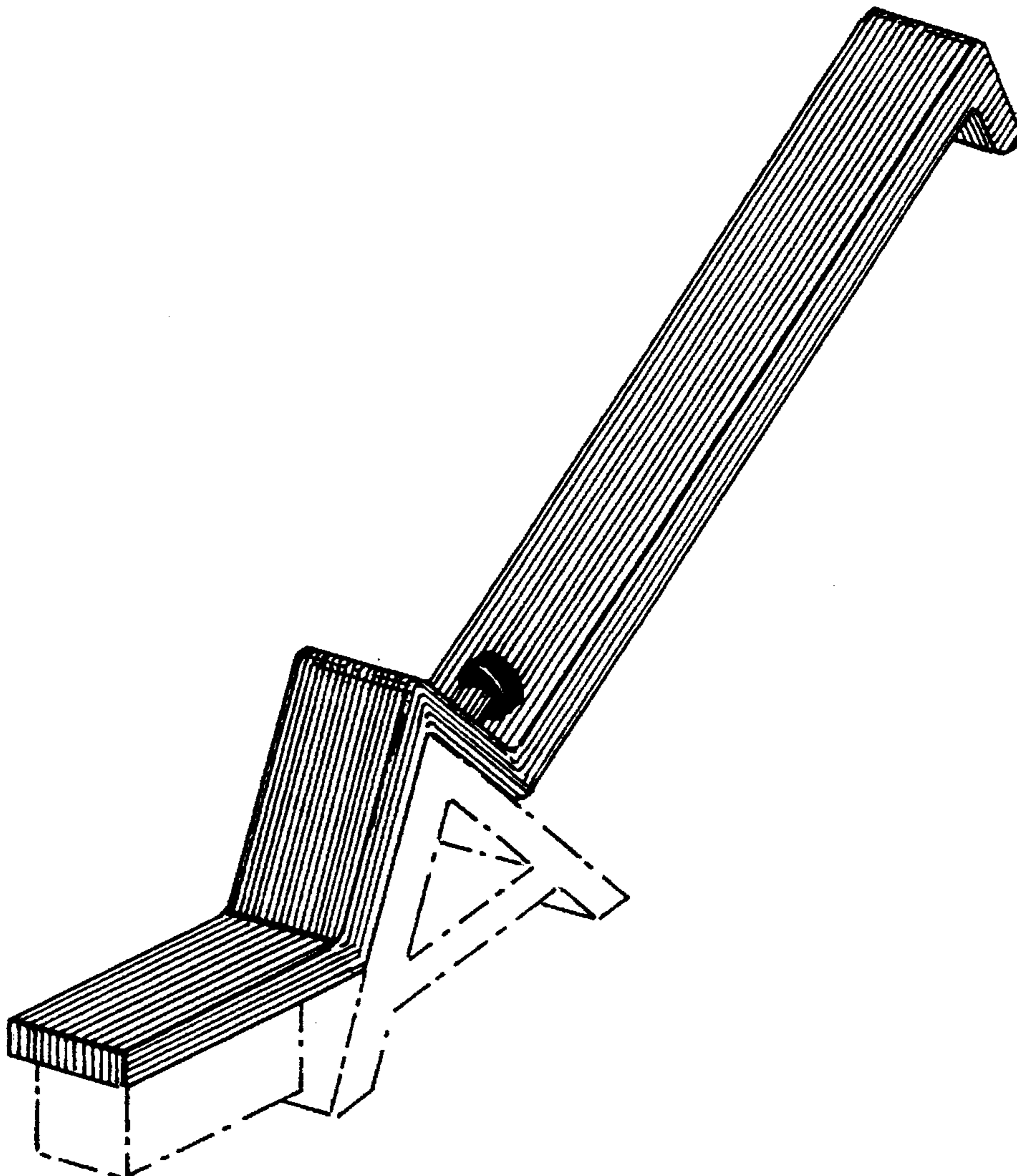


Fig. 4

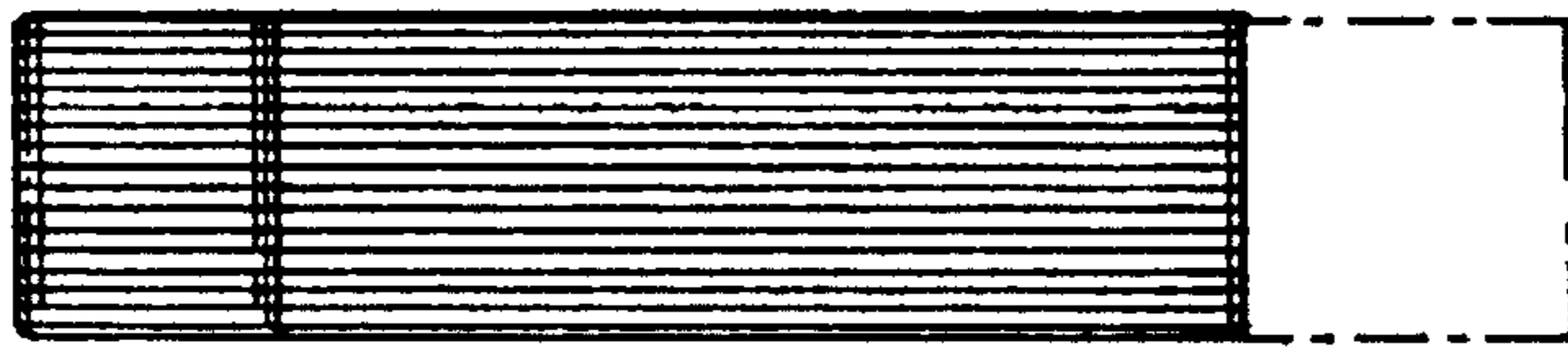


Fig. 3



Fig. 2

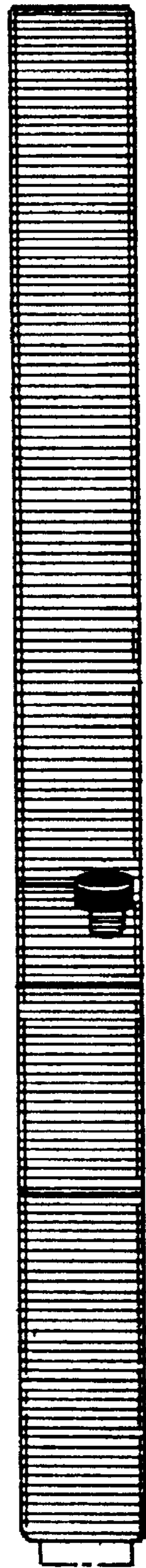
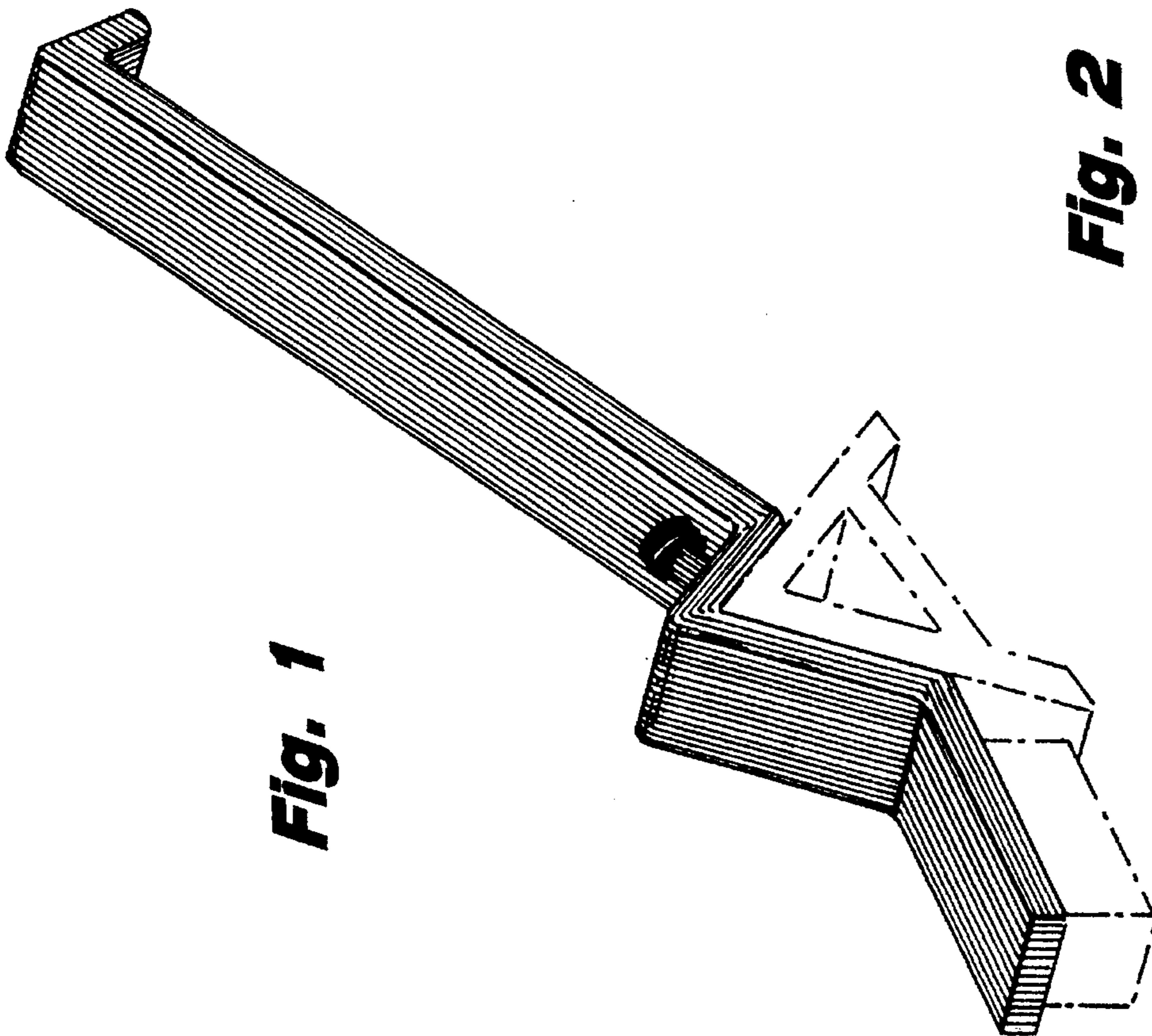


Fig. 1



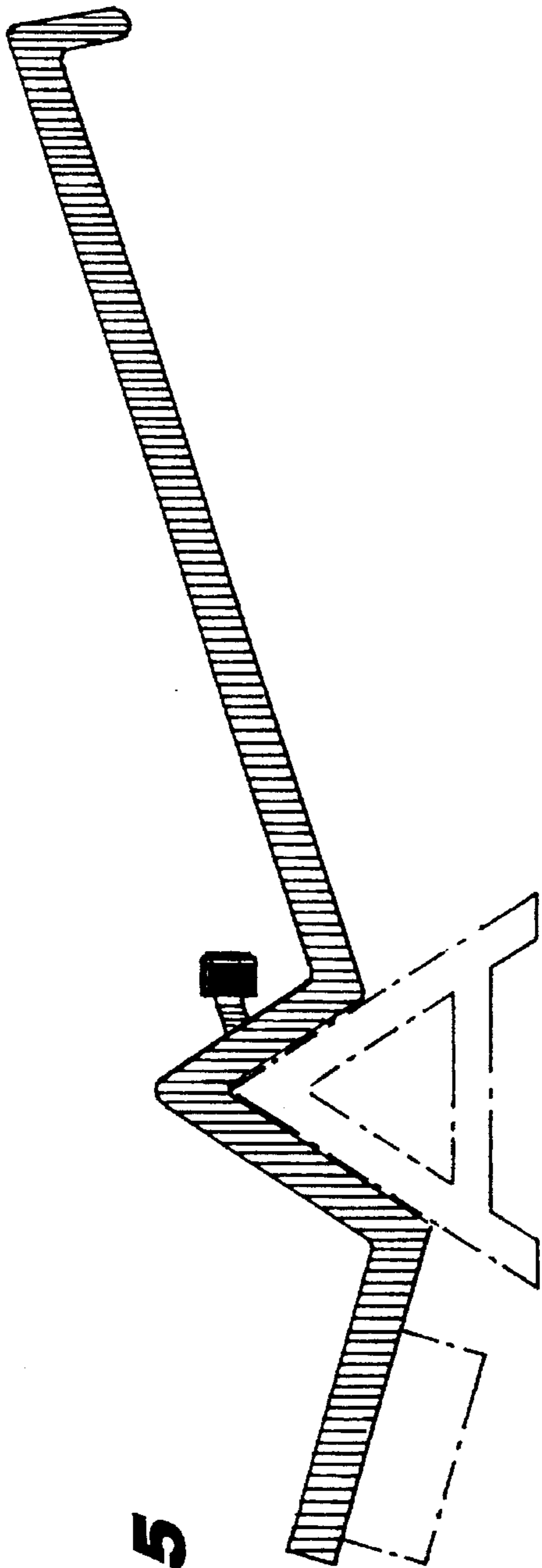


Fig. 5

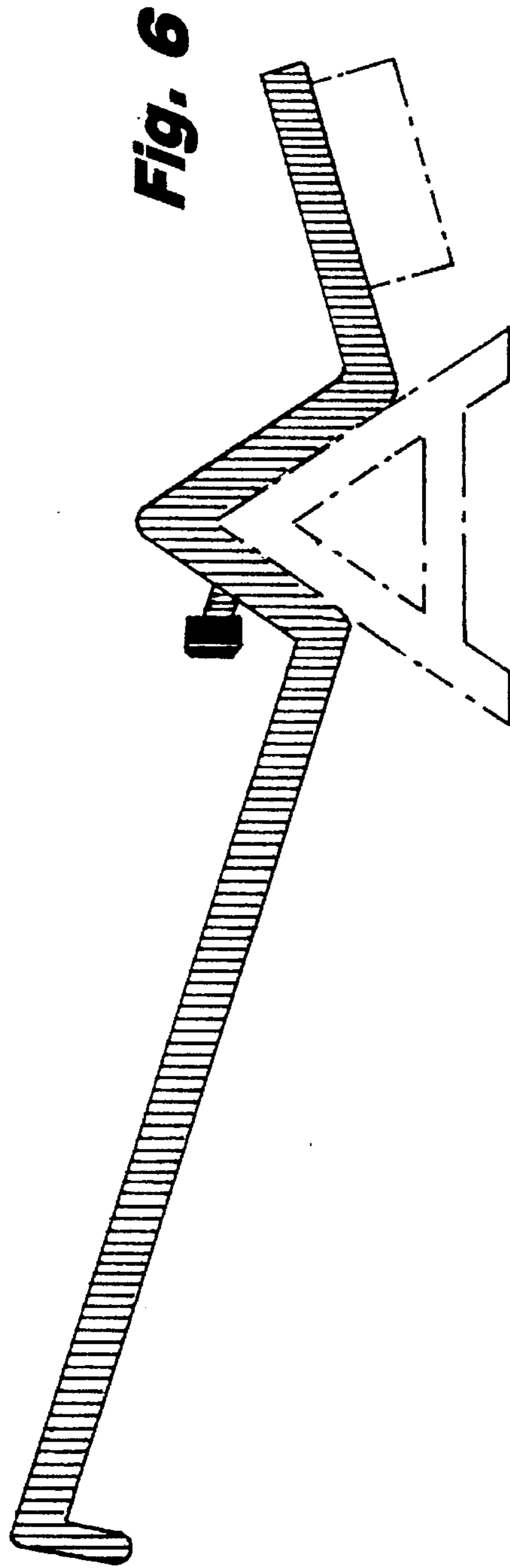


Fig. 6

Fig. 7

