



US00D375838S

United States Patent [19]
Ostrow

[11] **Patent Number: Des. 375,838**

[45] **Date of Patent: **Nov. 26, 1996**

[54] **HANDBAG FRAME**

[75] Inventor: **Reva Ostrow**, New York, N.Y.

[73] Assignee: **Reva Ostrow, Inc.**, New York, N.Y.

[**] Term: **14 Years**

[21] Appl. No.: **33,389**

[22] Filed: **Jan. 11, 1995**

[52] **U.S. Cl.** **D3/324; D3/323**

[58] **Field of Search** D3/201, 232, 224,
D3/234, 318, 321, 323, 325, 326; 150/104,
105, 107, 108, 110, 118, 120, 147; 190/18 A;
383/13, 34, 38

[56] **References Cited**

U.S. PATENT DOCUMENTS

D. 156,371	12/1949	Randolph	D3/324
526,249	9/1894	Meeker	383/34 X
2,197,618	4/1940	Megdall	150/104

Primary Examiner—Louis S. Zarfes
Assistant Examiner—Monica A. Hannon
Attorney, Agent, or Firm—Amster, Rothstein & Ebenstein

[57] **CLAIM**

The ornamental design for a handbag frame, as shown and described.

DESCRIPTION

FIG. 1 is an isometric view from the front, top and side of a handbag frame showing my new design, with the phantom lines indicating environment of use;

FIG. 2 is a front elevational view thereof, the rear being a mirror image;

FIG. 3 is a top plan view thereof;

FIG. 4 is an end elevational view thereof from one end, the other end being a mirror image thereof; and,

FIG. 5 is an isometric view thereof similar to FIG. 1 but in a different position of use.

1 Claim, 3 Drawing Sheets

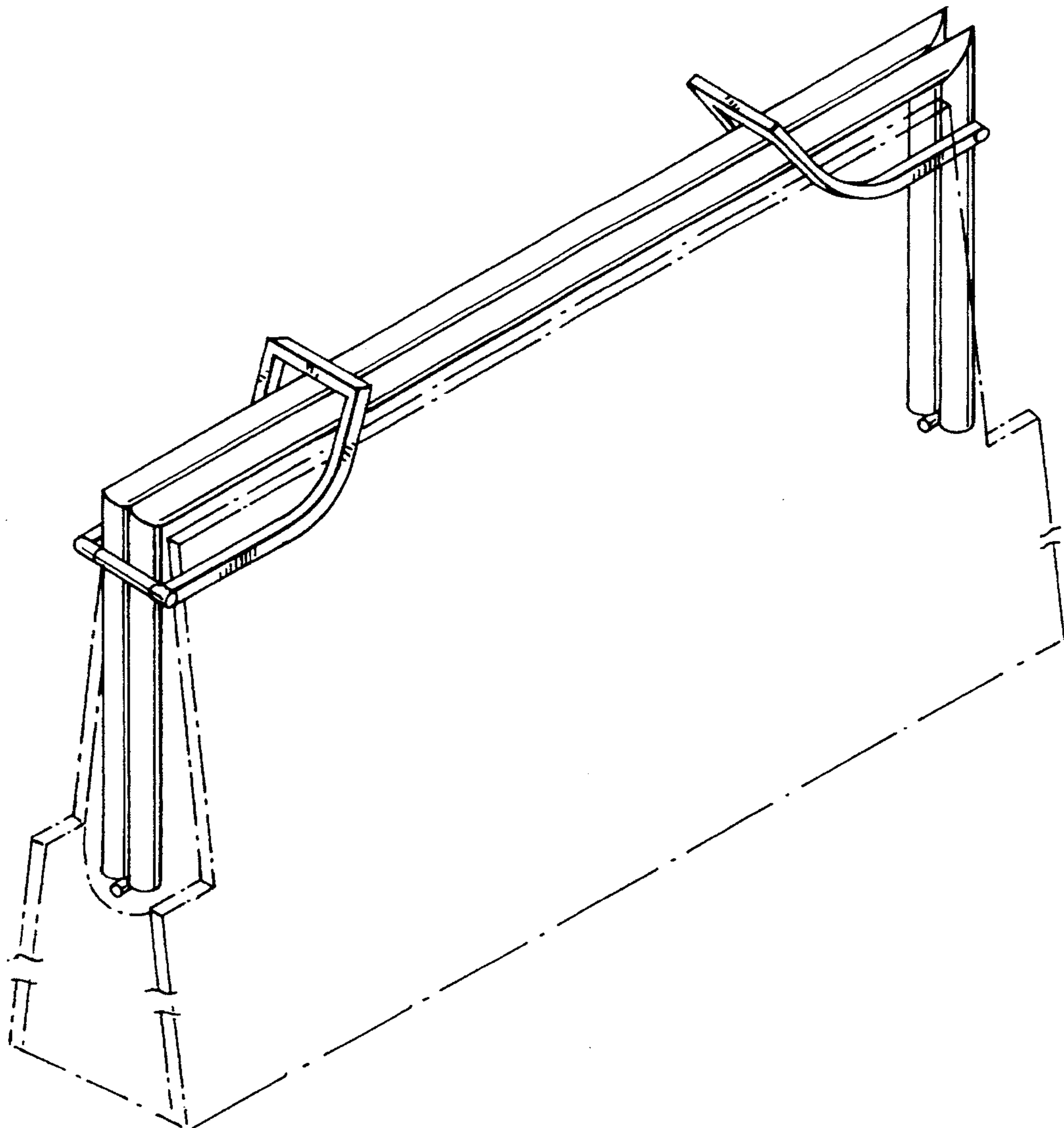


FIG. 1

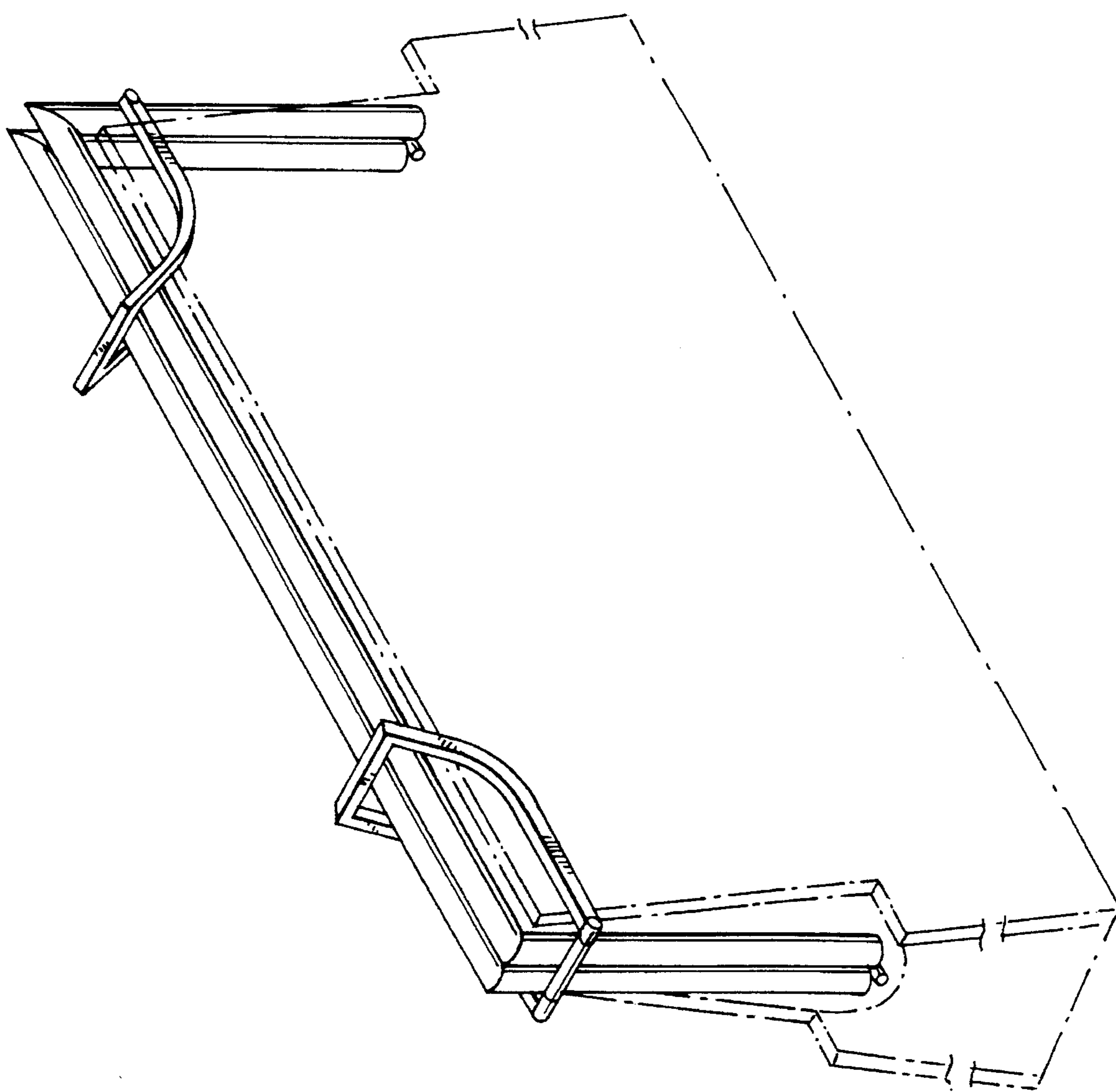


FIG. 3

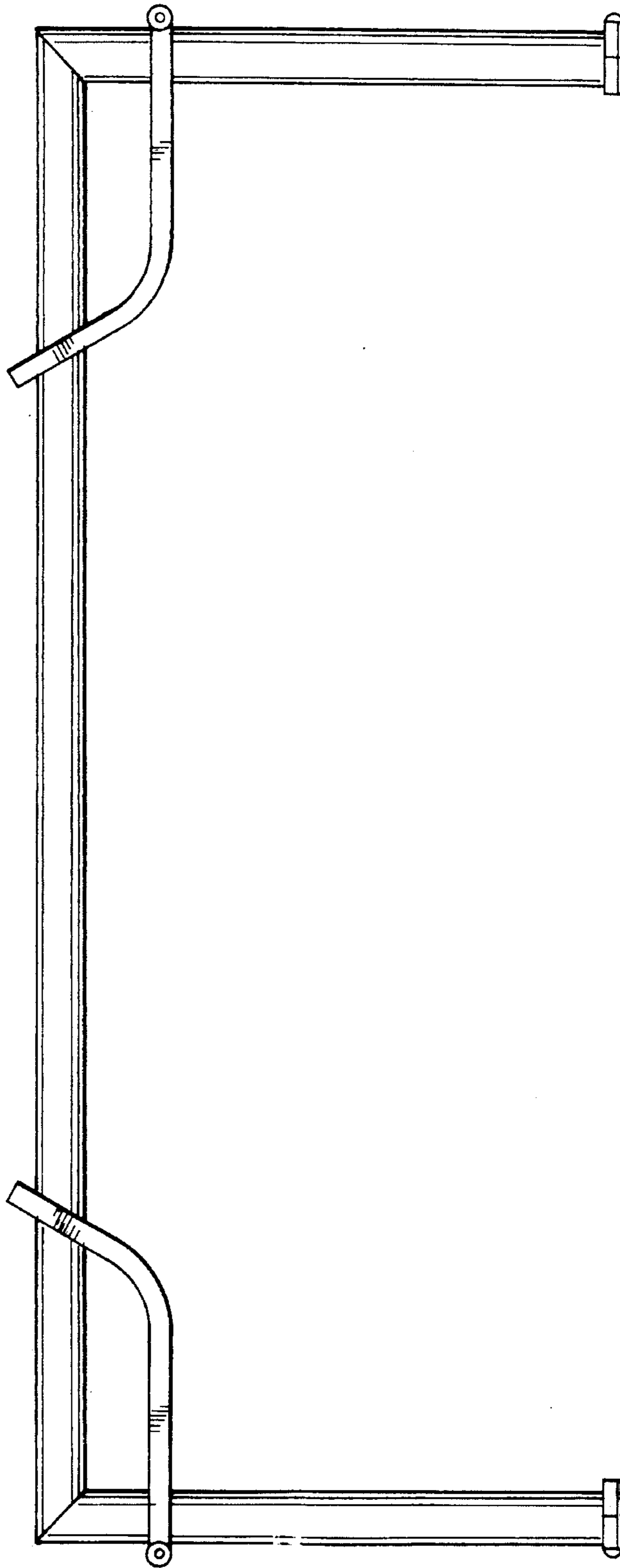
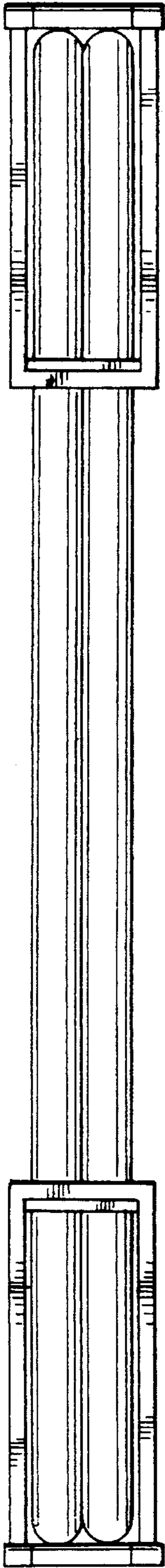


FIG. 2

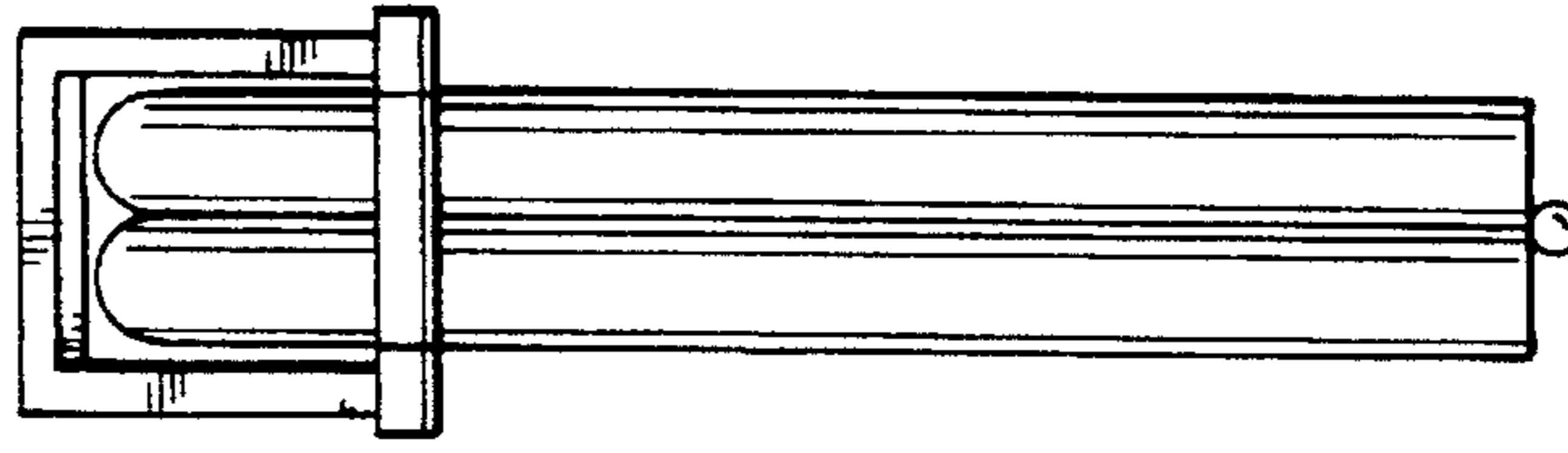


FIG. 4

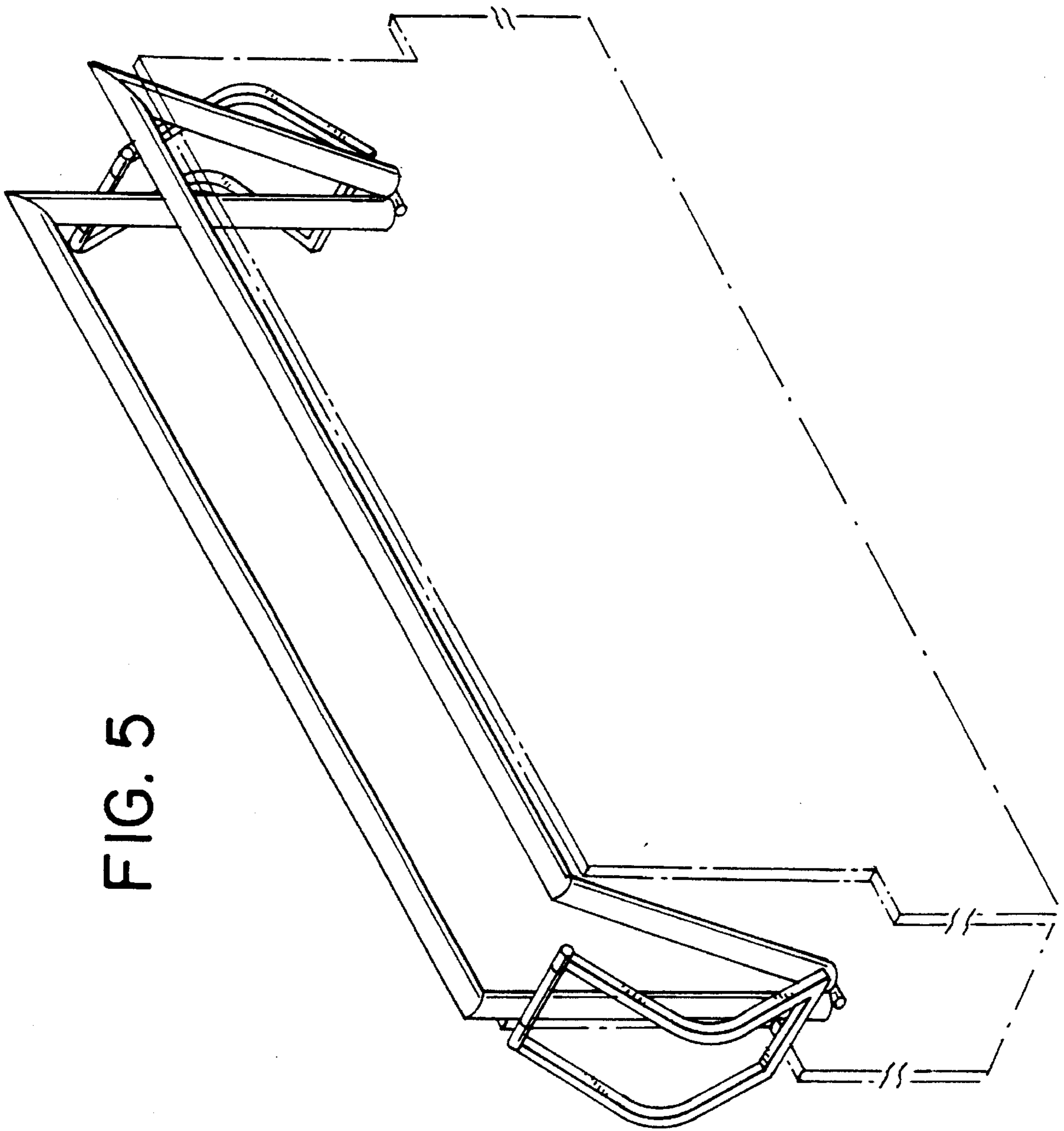


FIG. 5