



US00D375837S

United States Patent [19]

Frank

[11] Patent Number: **Des. 375,837**

[45] Date of Patent: ****Nov. 26, 1996**

[54] **SKATE CARRIER**

4,277,006 7/1981 Pinckard 294/162 X
4,733,897 3/1988 Schuetzeberg 294/162

[76] Inventor: **Tom Frank**, 6545 SW. Alice La.,
Beaverton, Oreg. 97008

Primary Examiner—Doris V. Coles
Assistant Examiner—Catherine R. Oliver
Attorney, Agent, or Firm—Harold H. Dutton, Jr.; W. Charles
L. Jamison; Diane F. Liebman

[**] Term: **14 Years**

[21] Appl. No.: **47,615**

[57] **CLAIM**

[22] Filed: **Dec. 8, 1995**

The ornamental design for a skate carrier, as shown and described.

[52] U.S. Cl. **D3/317**

[58] Field of Search D3/317; D6/315,
D6/316, 512, 513, 552; 294/162, 165; 211/34,
35

DESCRIPTION

[56] **References Cited**

FIG. 1 is a perspective view of a skate carrier showing my new design;
FIG. 2 is a right side view thereof;
FIG. 3 is a front view thereof;
FIG. 4 is a top view thereof; and,
FIG. 5 is a bottom view thereof.
The left side view is a mirror image of FIG. 2, and the rear view is a mirror image of FIG. 3.

U.S. PATENT DOCUMENTS

D. 260,575	9/1981	Brown, Jr.	D3/317
3,074,085	1/1963	Salzman	D3/317 X
3,210,787	10/1965	Allsop	294/165 X
3,397,416	8/1968	Celli	294/162 X
3,909,718	9/1975	Allsop et al.	294/162
4,113,159	9/1978	Allsop	D3/317 X

1 Claim, 3 Drawing Sheets

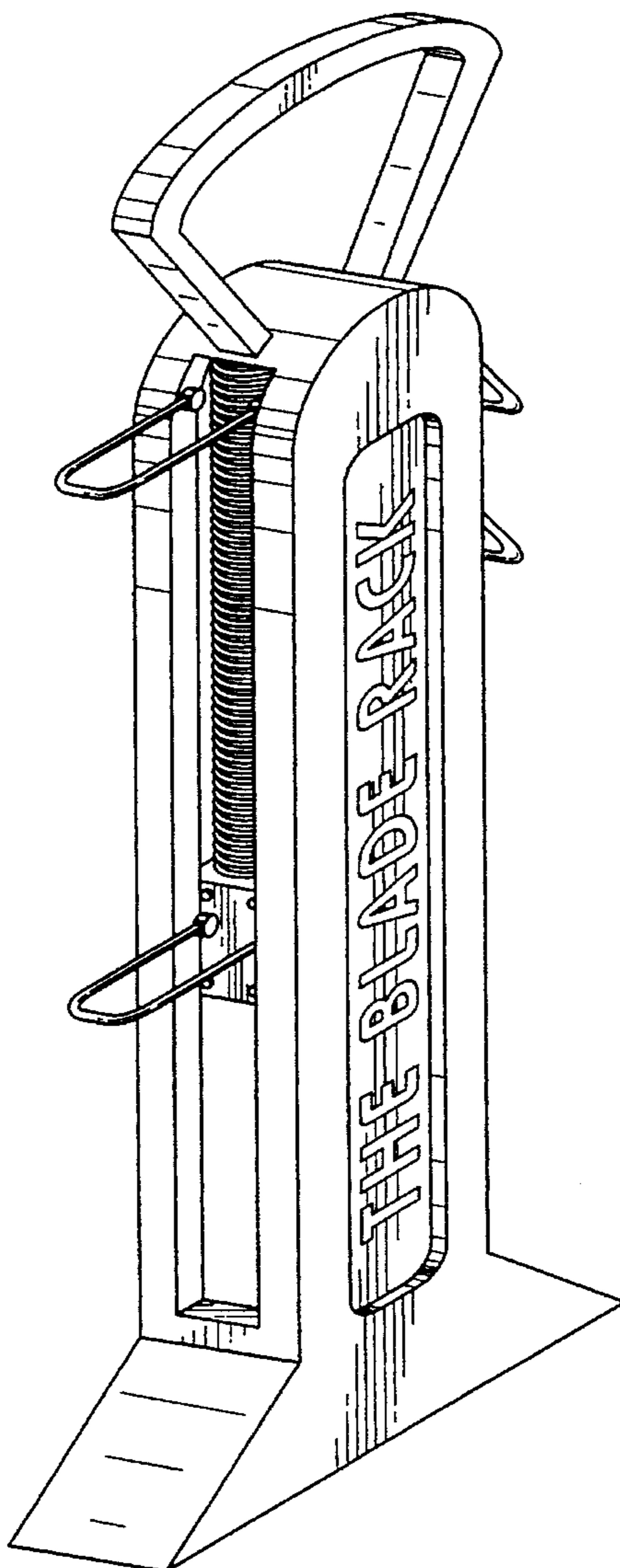
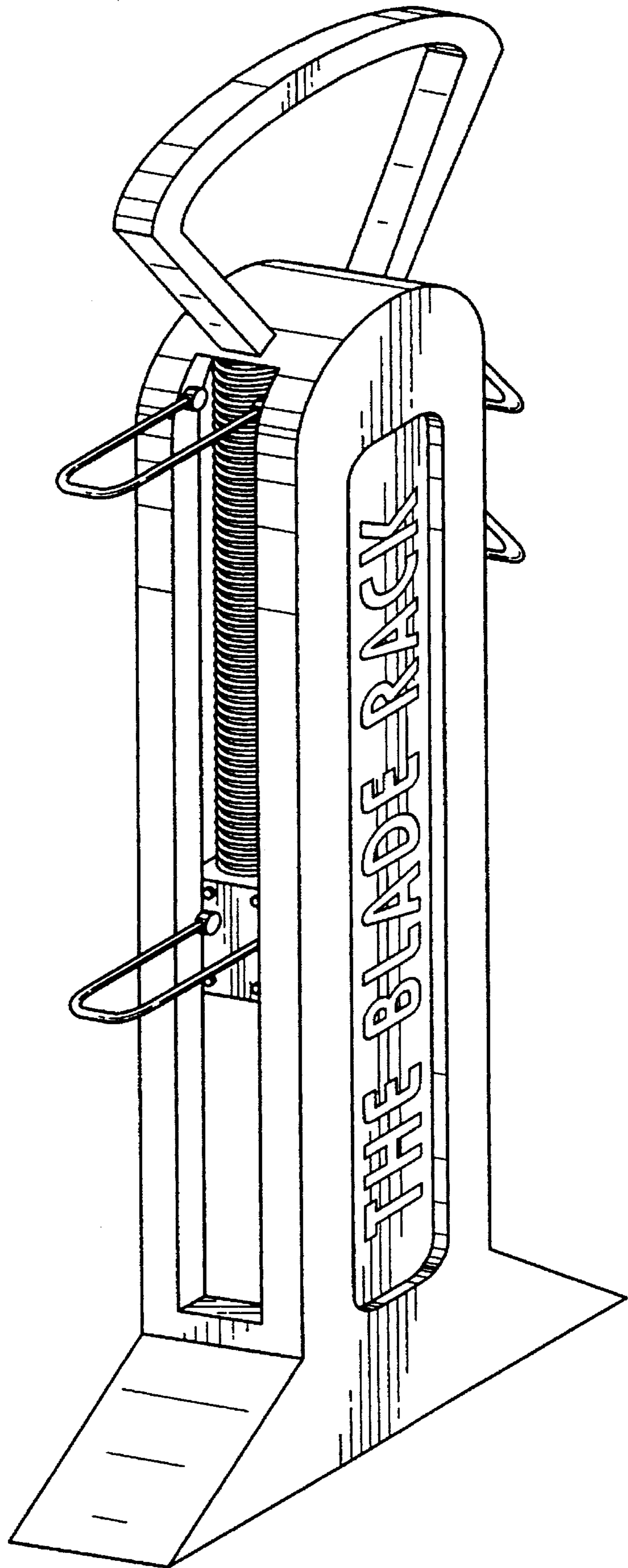


FIG. 1



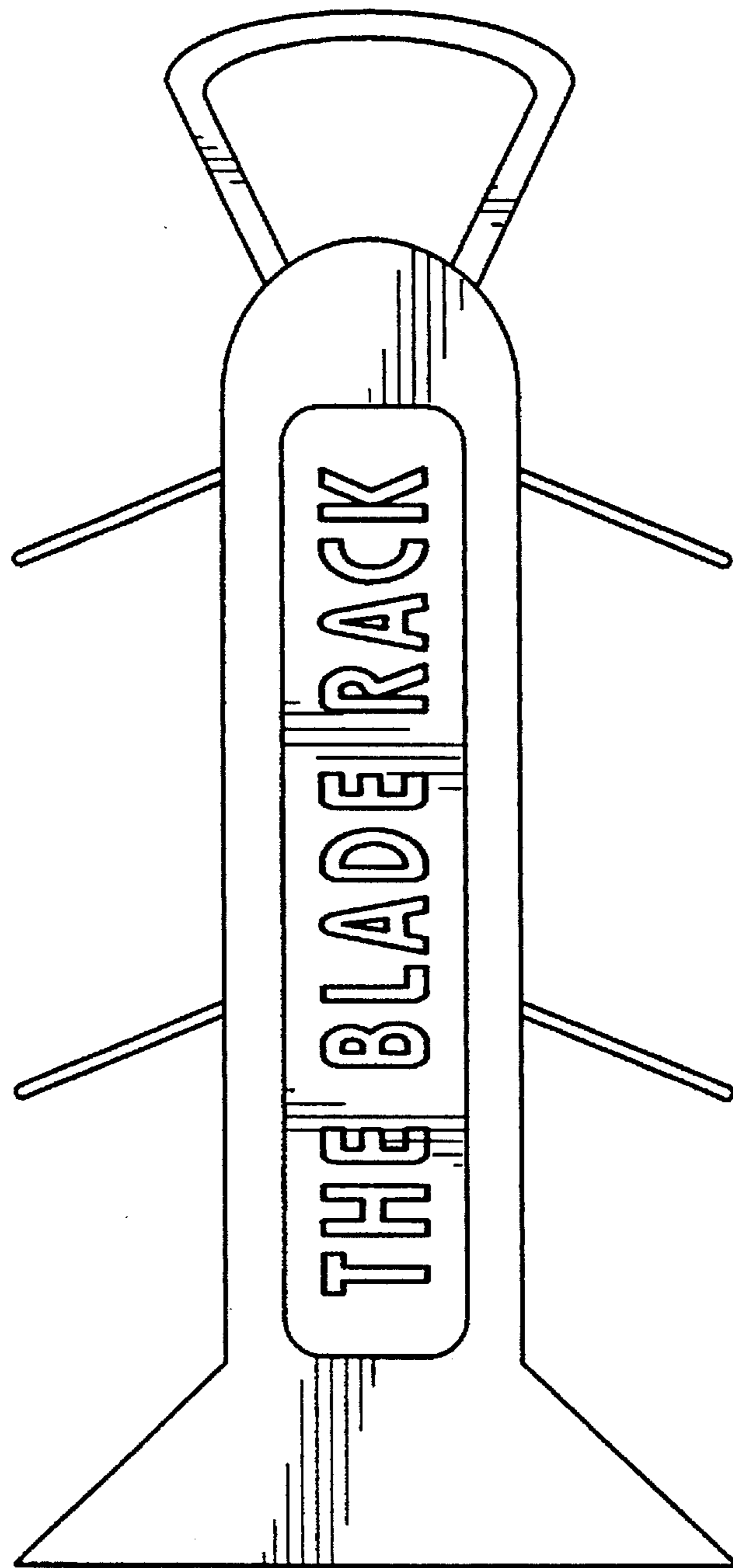


FIG. 2

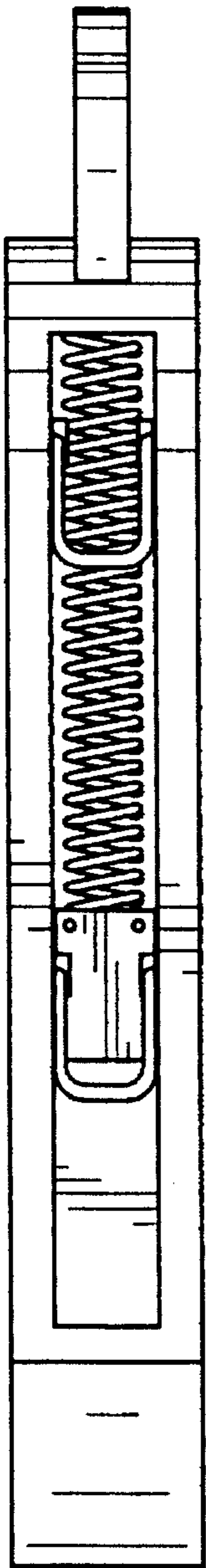


FIG. 3

FIG. 4

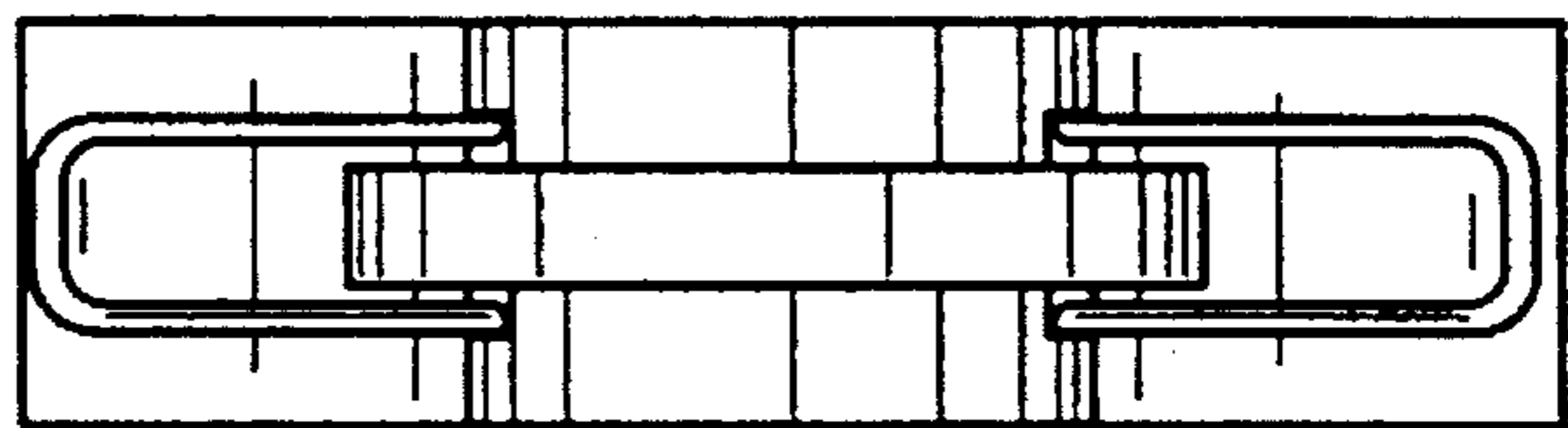


FIG. 5

