



US00D375836S

United States Patent [19] Conti

[11] **Patent Number: Des. 375,836**
[45] **Date of Patent: **Nov. 26, 1996**

[54] **STORAGE CONTAINER**

[75] Inventor: **Rino Conti**, Stoughton, Mass.

[73] Assignee: **Holiday Housewares, Inc.**, Leominster, Mass.

[**] Term: **14 Years**

[21] Appl. No.: **46,288**

[22] Filed: **Nov. 13, 1995**

[52] **U.S. Cl.** **D3/304; D9/425**

[58] **Field of Search** **D3/304, 314, 905; D9/425, 424, 418, 423; 206/503, 505, 518, 514, 519; 220/23.6, 675, 662, 244, 355, 356, 350, 376**

[56] **References Cited**

U.S. PATENT DOCUMENTS

- D. 211,682 7/1968 Eicholtz .
- D. 238,051 12/1975 Fier .
- D. 238,148 12/1975 Dilot .
- D. 251,480 4/1979 Cherry D9/219
- D. 259,763 7/1981 Dickinson .
- D. 260,229 8/1981 Maza .
- D. 264,539 5/1982 Pomroy .
- D. 270,418 9/1983 Conti .
- D. 271,554 11/1983 Grusin .
- D. 274,030 5/1984 Daenen et al. .
- D. 274,967 8/1984 Taylor .
- D. 275,918 10/1984 Taylor .
- D. 276,400 11/1984 Daenen et al. .
- D. 276,401 11/1984 Daenen et al. .
- D. 276,402 11/1984 Daenen et al. .
- D. 279,251 6/1985 Daenen et al. .
- D. 279,252 6/1985 Daenen et al. .
- D. 279,253 6/1985 Daenen et al. .
- D. 279,952 8/1985 Daenen et al. .
- D. 280,216 8/1985 Boklund .
- D. 280,281 8/1985 Conti et al. .
- D. 280,484 9/1985 Conti et al. .
- D. 282,808 3/1986 Daenen et al. .

- D. 282,809 3/1986 Daenen et al. .
- D. 282,896 3/1986 Conti et al. .

(List continued on next page.)

FOREIGN PATENT DOCUMENTS

- 6606963 3/1967 Netherlands .

OTHER PUBLICATIONS

Tucker Catalog—Copyright 1992—pp. 6-7 and 10-11 (numbered HH00323-328).
6 pages of undated ads for Rubbermaid Storage Containers (numbered HH00309-314).
Undated, unidentified ad for Rubbermaid Totes (numbered HH00335).
6 xerox copies of pages from Tucker New Products "Ram Tuff" Catalog—undated (numbered HH00390-395).

Primary Examiner—Philip S. Hyder
Attorney, Agent, or Firm—Pandiscio & Pandiscio

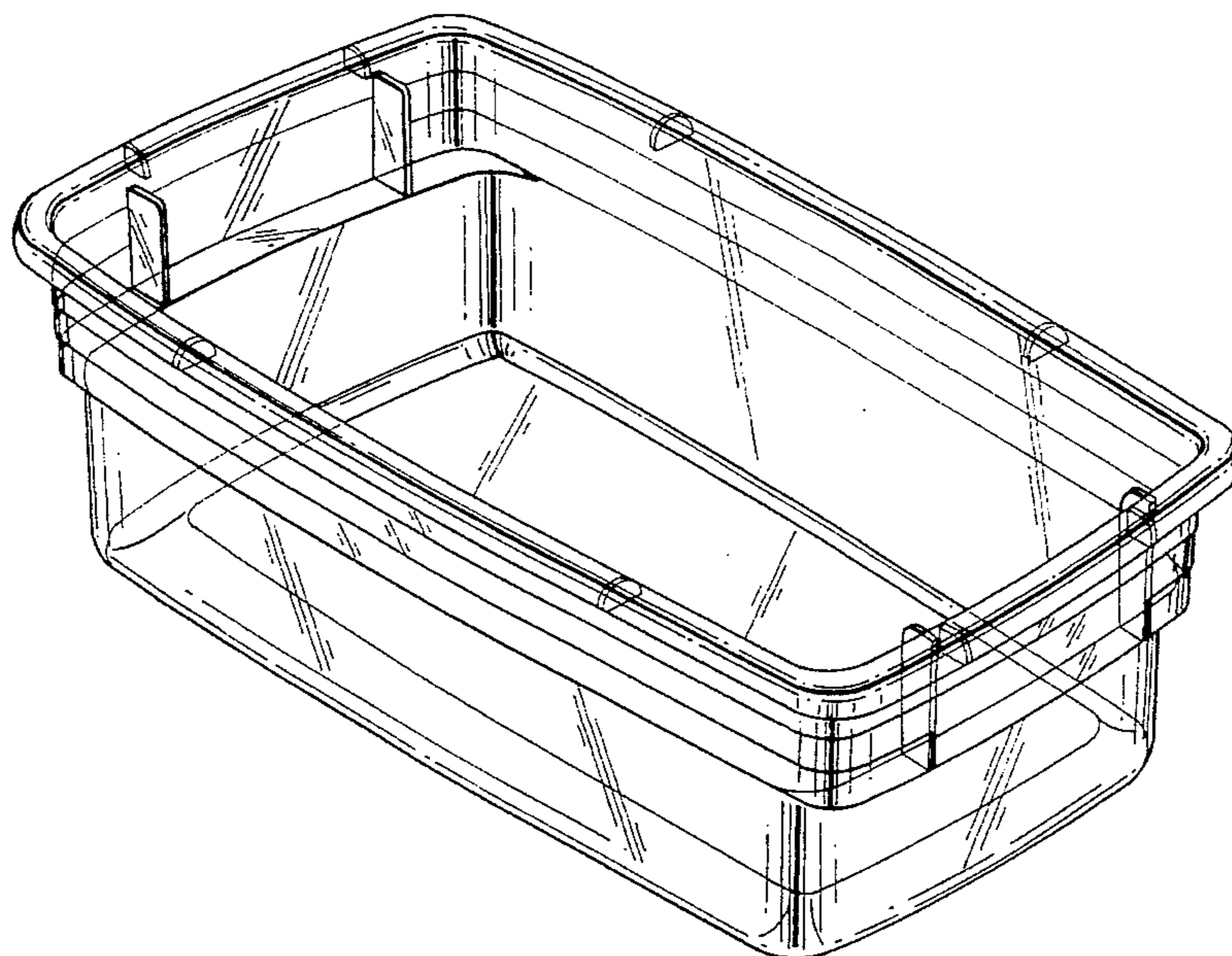
[57] **CLAIM**

The ornamental design for a storage container, as shown and described.

DESCRIPTION

FIG. 1 is a perspective view of a storage container showing my new design;
FIG. 2 is a right side view of the storage container shown in FIG. 1;
FIG. 3 is a left side view of the storage container shown in FIG. 1;
FIG. 4 is a front view of the storage container shown in FIG. 1;
FIG. 5 is a rear view of the storage container shown in FIG. 1;
FIG. 6; is a top view of the storage container shown in FIGS. 1; and,
FIG. 7 is a bottom view of the storage container shown in FIG. 1.

1 Claim, 6 Drawing Sheets



U.S. PATENT DOCUMENTS

D. 282,897	3/1986	Conti .	
D. 288,063	2/1987	Tyler	D9/425
D. 302,774	8/1989	Murphy .	
D. 304,461	11/1989	Foran et al. .	
D. 314,706	2/1991	Craft, Jr. et al. .	
D. 319,016	8/1991	Kahl .	
D. 321,090	10/1991	Dickinson .	
D. 321,091	10/1991	Dickinson .	
D. 326,342	5/1992	Doxey et al. .	
D. 326,345	5/1992	Mandell et al. .	
D. 327,555	6/1992	Juergens .	
D. 327,560	6/1992	Hradisky .	
D. 327,561	6/1992	Hradisky .	
D. 327,756	7/1992	Klein .	
D. 328,819	8/1992	Hanna .	
D. 329,331	9/1992	Hobson .	
D. 329,747	9/1992	Embree .	
D. 329,930	9/1992	Delmerico .	
D. 330,329	10/1992	Brightbill .	
D. 335,960	6/1993	Kahl et al. .	
D. 342,609	12/1993	Brightbill .	
D. 342,817	12/1993	Lippisch .	
D. 348,127	6/1994	Van Berne .	
D. 348,394	7/1994	Dreyer	D9/424
D. 349,646	8/1994	Dickinson .	
D. 351,284	10/1994	Kruger .	
D. 363,662	10/1995	Plater	D9/425
2,634,020	4/1953	Bartholomew .	
2,767,878	10/1956	Brown .	
3,412,889	11/1968	Eicholtz .	
3,419,184	12/1968	Asenbauer .	
3,734,341	5/1973	Levenhagen .	
4,014,450	3/1977	Girotti et al.	220/675
4,046,310	9/1977	Gustafsson	206/503
4,139,098	2/1979	Mollon	220/23.6
4,373,642	2/1983	Wolters et al.	206/503
5,123,564	6/1992	Hobson	220/528
5,193,706	3/1993	Hanna et al.	220/324
5,238,142	8/1993	Hanna et al.	220/772

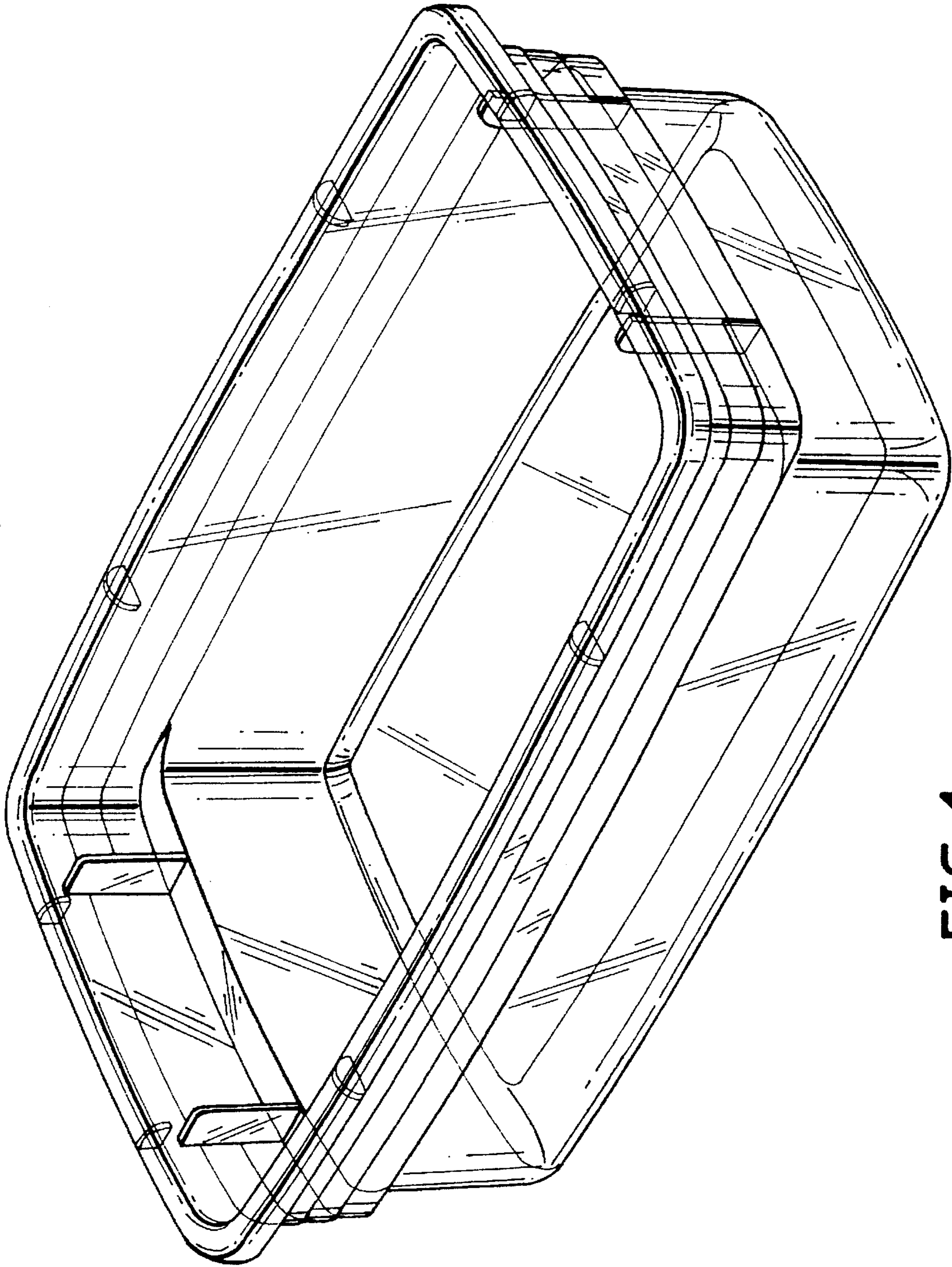


FIG. 1

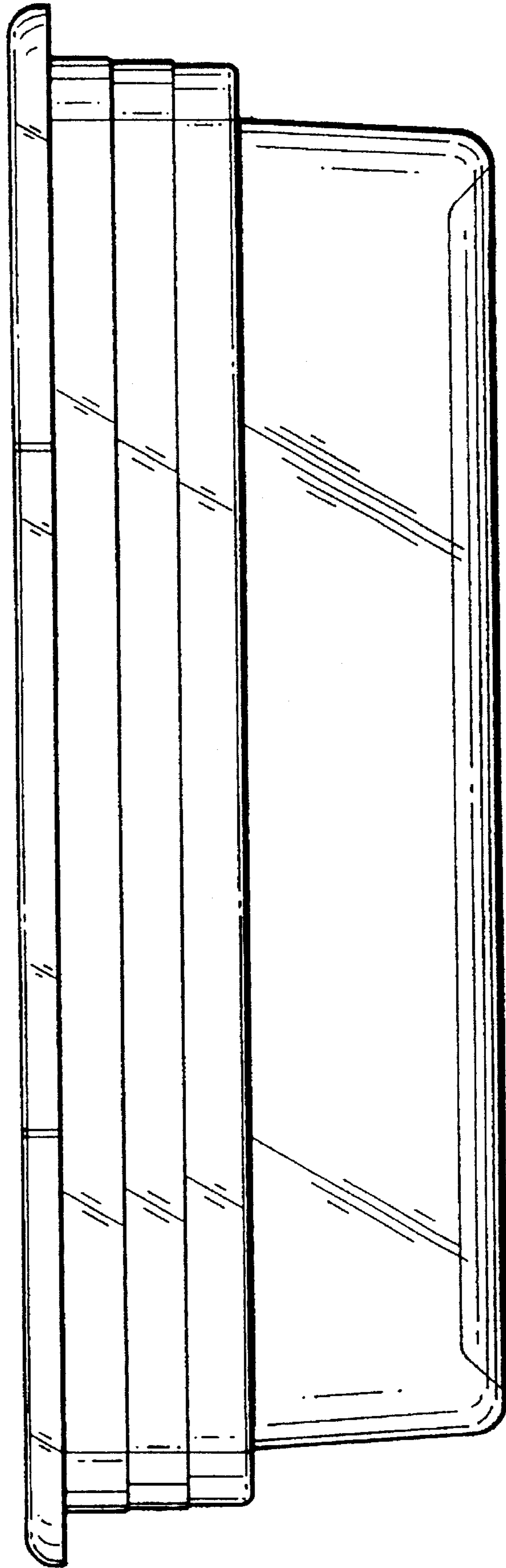


FIG. 2

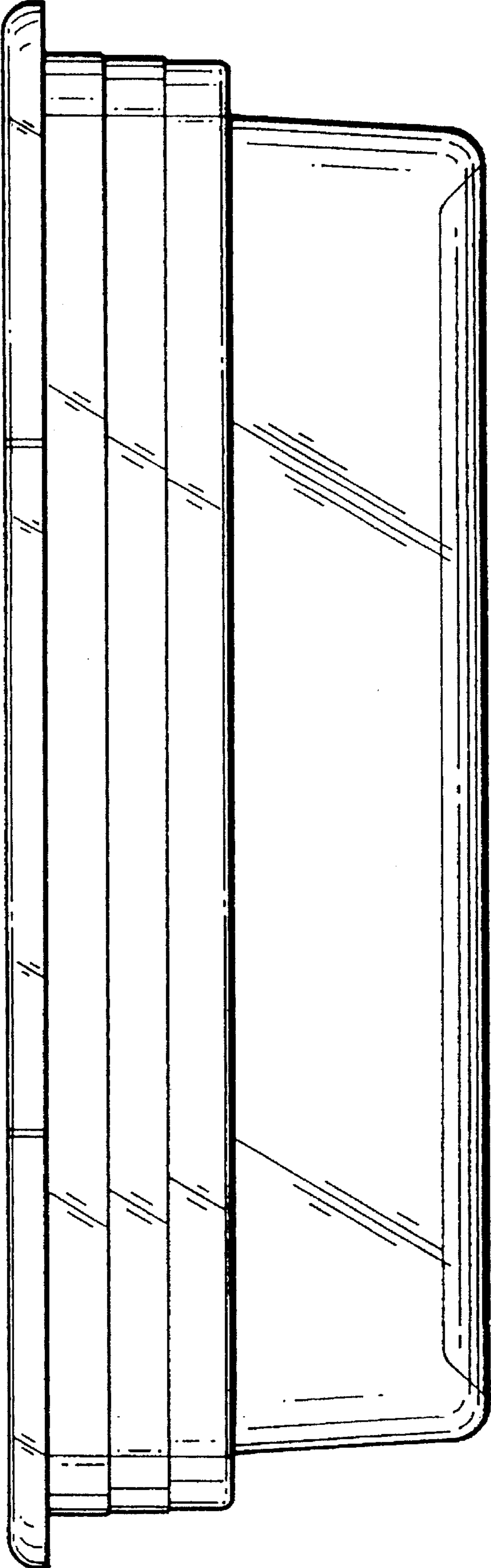


FIG. 3

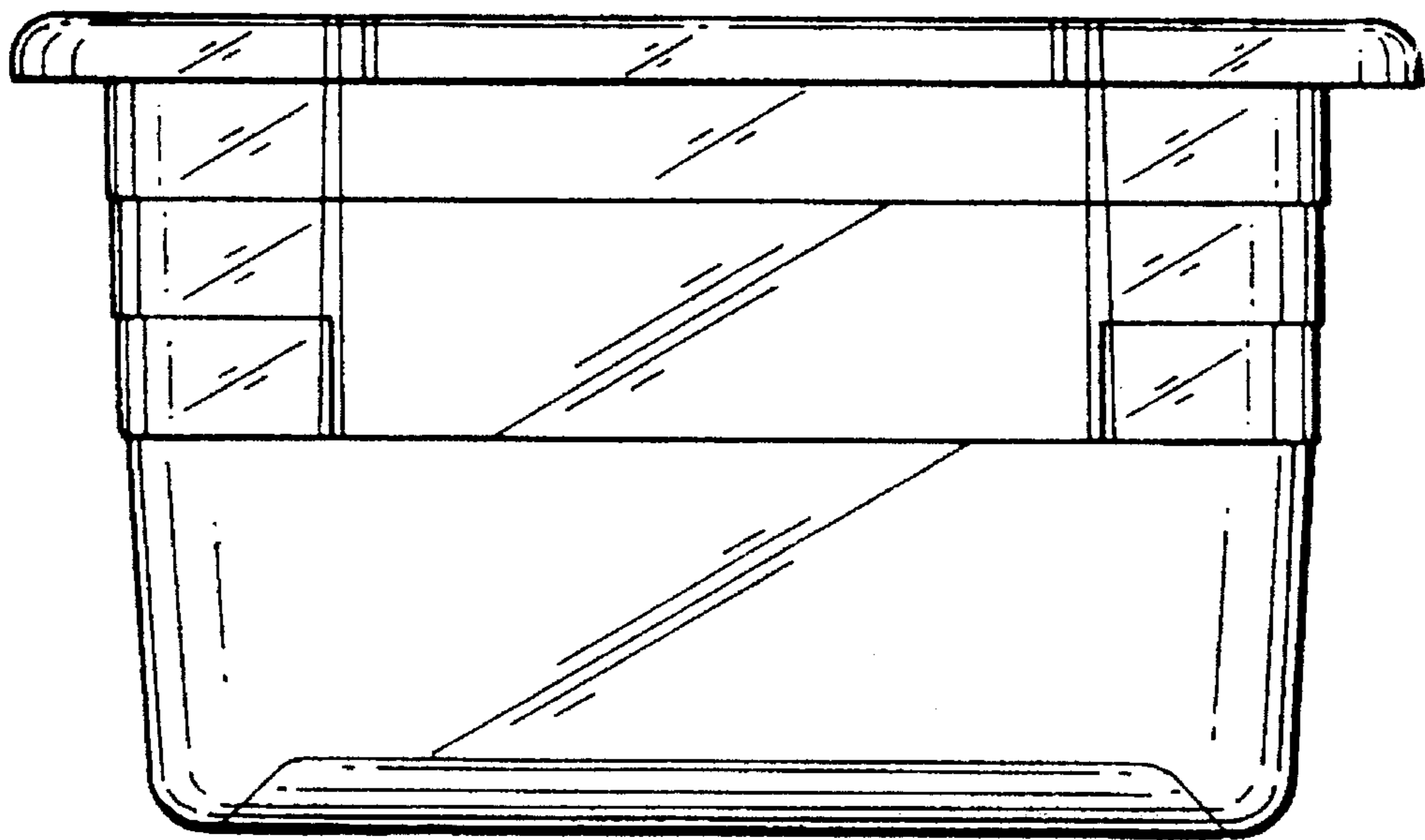


FIG. 4

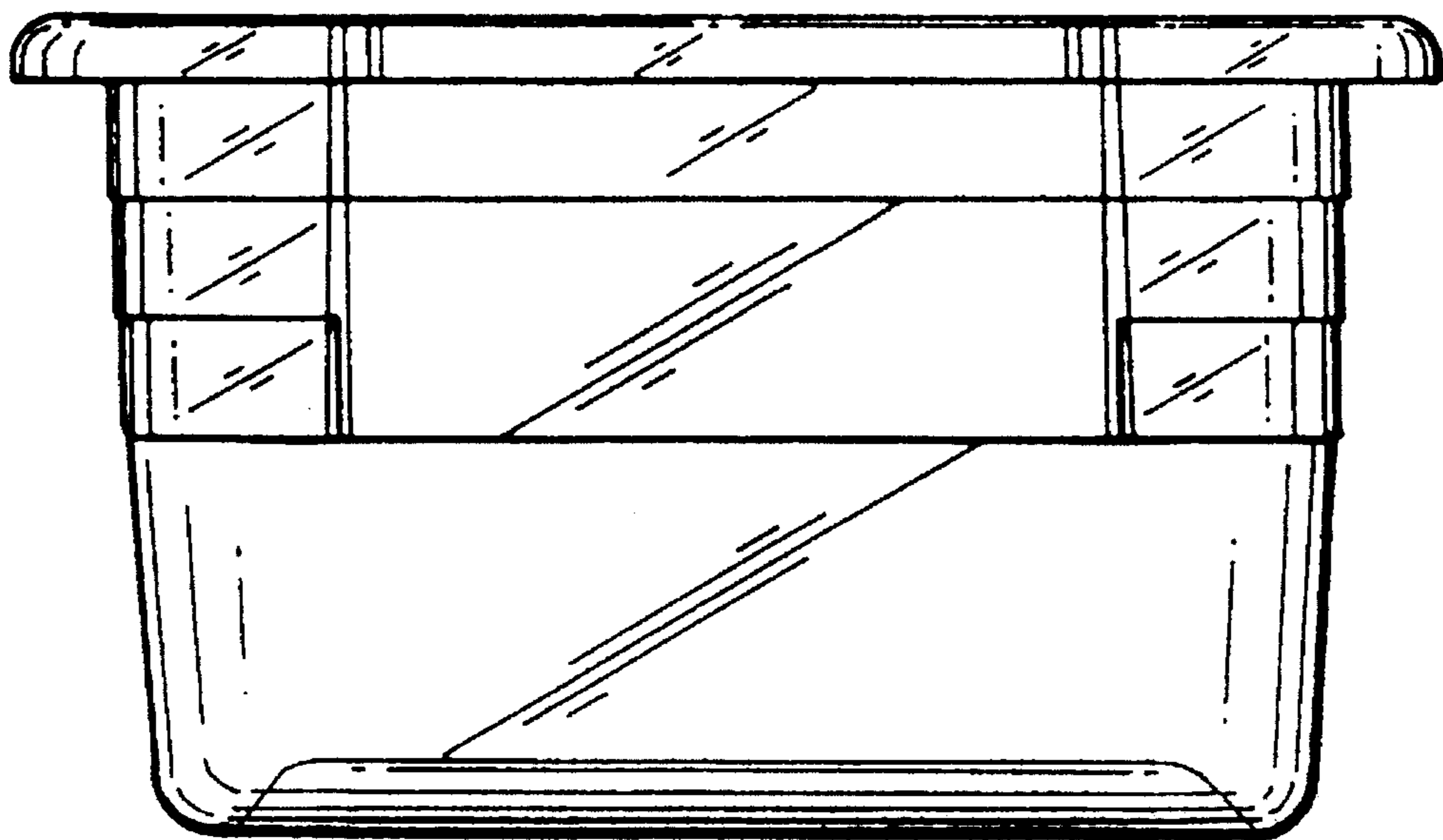


FIG. 5

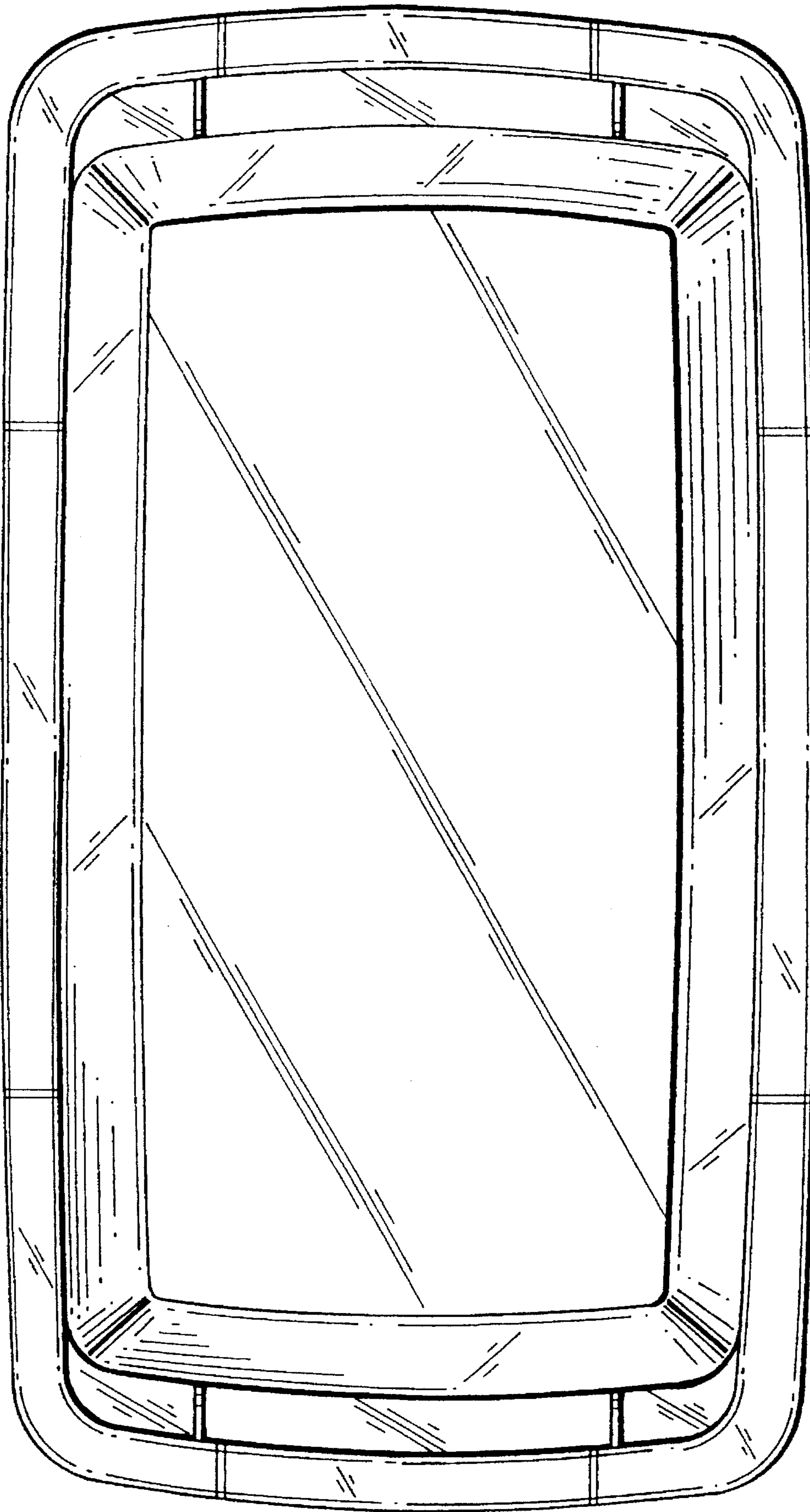


FIG. 6

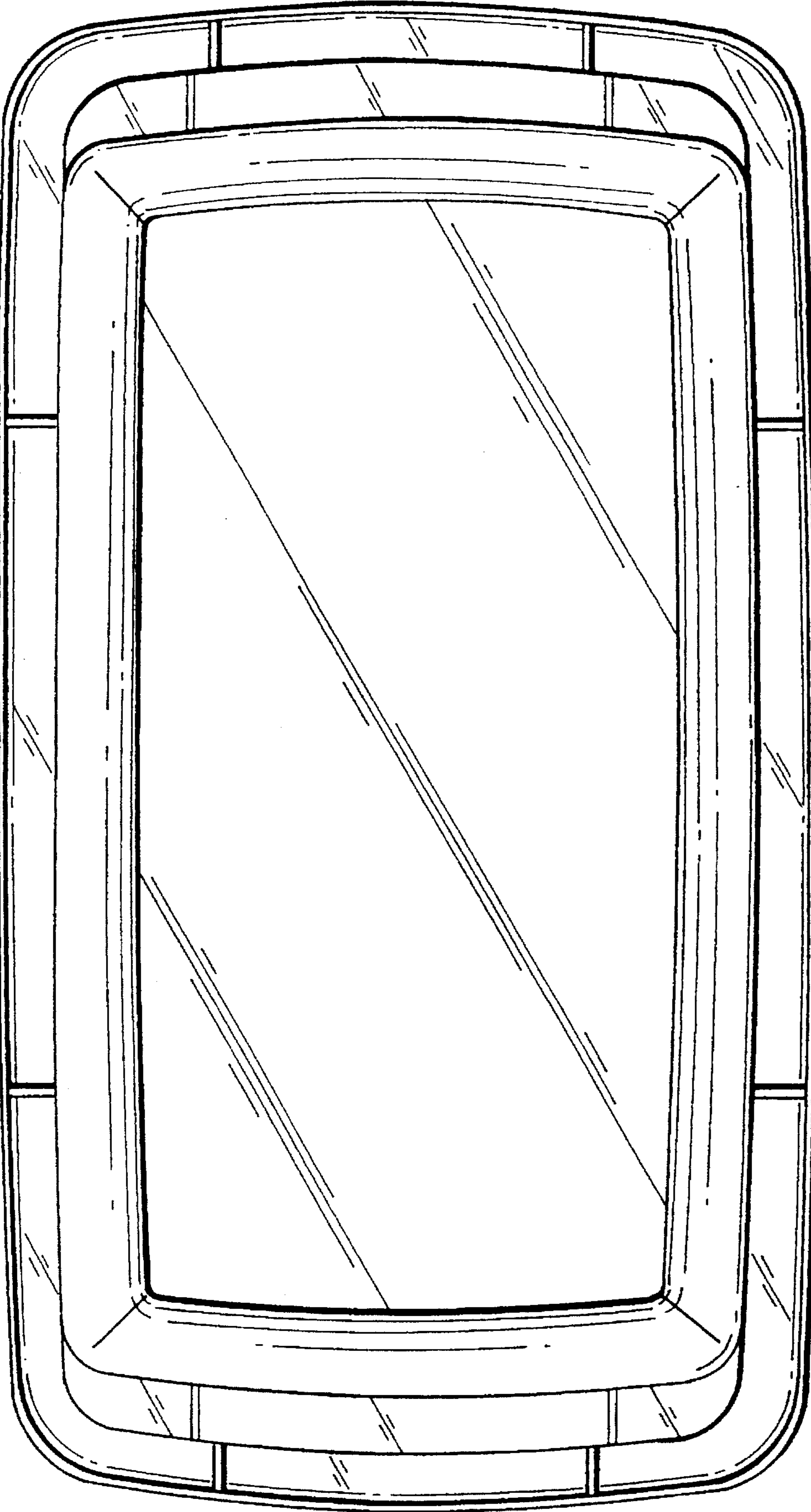


FIG. 7