



US00D375834S

United States Patent [19]

Meisner et al.

[11] Patent Number: **Des. 375,834**

[45] Date of Patent: ****Nov. 26, 1996**

[54] **UTILITY BOX INCORPORATING AN INTEGRAL CLAMPING VISE**

[75] Inventors: **Edward H. Meisner**, Short Hills, N.J.; **Keith Kristiansen**, Stratford, Conn.; **Michael Ballone**, New Providence, N.J.; **Roberta S. Hall**, Sparks; **Michael A. Loferski**, Monkton, both of Md.; **Michael D. Dolsen**, Millbrook, Canada; **Christopher Bennett**, Whitby, Canada; **John B. Mason, Sr.**; **Frank Basten**, both of Brockville, Canada; **Colin Overy**, North Augusta, Canada

[73] Assignee: **Black & Decker Inc.**, Newark, Del.

[**] Term: **14 Years**

[21] Appl. No.: **41,348**

[22] Filed: **Jul. 12, 1995**

Related U.S. Application Data

[63] Continuation-in-part of Ser. No. 27,131, Aug. 12, 1994, abandoned.

[52] U.S. Cl. **D3/274**; D8/71

[58] Field of Search D3/273-6, 281, D3/905; D6/336, 349-50, 400; D8/70.1, 71; D9/424; D15/140-1; D25/62, 65; D32/53; 190/1, 16; 206/216, 372-3, 499, 506, 514, DIG. 33; 220/324; 269/107, 139, 236, 244; 297/183, 188

[56] **References Cited**

U.S. PATENT DOCUMENTS

| | | | |
|------------|---------|-------------------------|---------|
| D. 140,494 | 3/1945 | Aaronson et al. | D15/141 |
| D. 250,079 | 10/1978 | Hickman et al. | D6/400 |
| D. 253,212 | 10/1979 | Maruscak et al. | D6/400 |
| D. 256,641 | 9/1980 | Wilson | D6/400 |
| D. 263,368 | 3/1982 | Wagster et al. | D8/74 |
| D. 263,533 | 3/1982 | Ferdinand et al. . | |
| D. 276,861 | 12/1984 | Keddie | D6/336 |
| D. 314,472 | 2/1991 | Brantingham et al. | D6/336 |
| D. 337,898 | 8/1993 | Chen | D6/400 |
| D. 347,527 | 6/1994 | Breen et al. | D6/336 |
| D. 348,003 | 6/1994 | Berger | D8/71 |

| | | | |
|------------|---------|-----------------------|---------|
| D. 354,210 | 1/1995 | Dickinson et al. | D8/71 |
| D. 355,828 | 2/1995 | Dickinson et al. | D8/71 |
| 564,782 | 7/1896 | Doelger . | |
| 2,094,805 | 10/1937 | Meier . | |
| 2,122,969 | 7/1938 | Whitcomb . | |
| 2,759,507 | 8/1956 | Davis et al. . | |
| 2,786,500 | 3/1957 | Unterfranz . | |
| 4,216,949 | 8/1980 | Hickman | 269/244 |
| 4,278,243 | 7/1981 | Alessio | 269/139 |
| 4,330,113 | 5/1982 | Ferdinand et al. | 269/244 |
| 4,378,828 | 4/1983 | Shiminski . | |
| 4,555,099 | 11/1985 | Hilton | 269/244 |

FOREIGN PATENT DOCUMENTS

427500 4/1926 Germany .

Primary Examiner—B. J. Bullock

Assistant Examiner—Robert M. Spear

Attorney, Agent, or Firm—Harness, Dickey & Pierce, P.L.C.

[57] **CLAIM**

The ornamental design for a utility box incorporating an integral clamping vise, as shown and described.

DESCRIPTION

FIG. 1 is a perspective view of a utility box incorporating an integral clamping vise, showing our new design and showing the clamping vise in an open position;

FIG. 2 is a front elevational view of the utility box shown in FIG. 1;

FIG. 3 is a right side elevational view of the utility box shown in FIG. 1;

FIG. 4 is a left side elevational view of the utility box shown in FIG. 1;

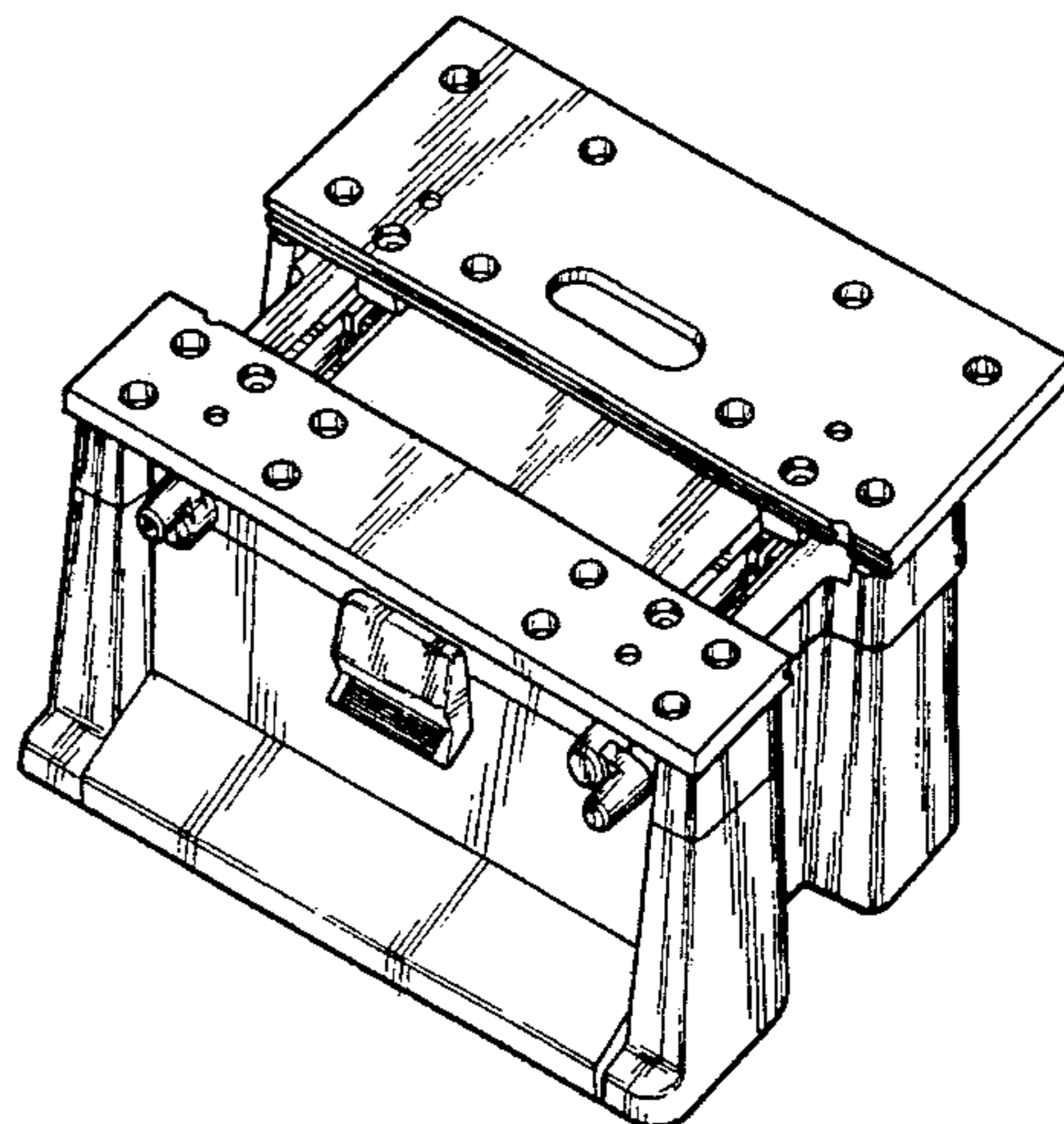
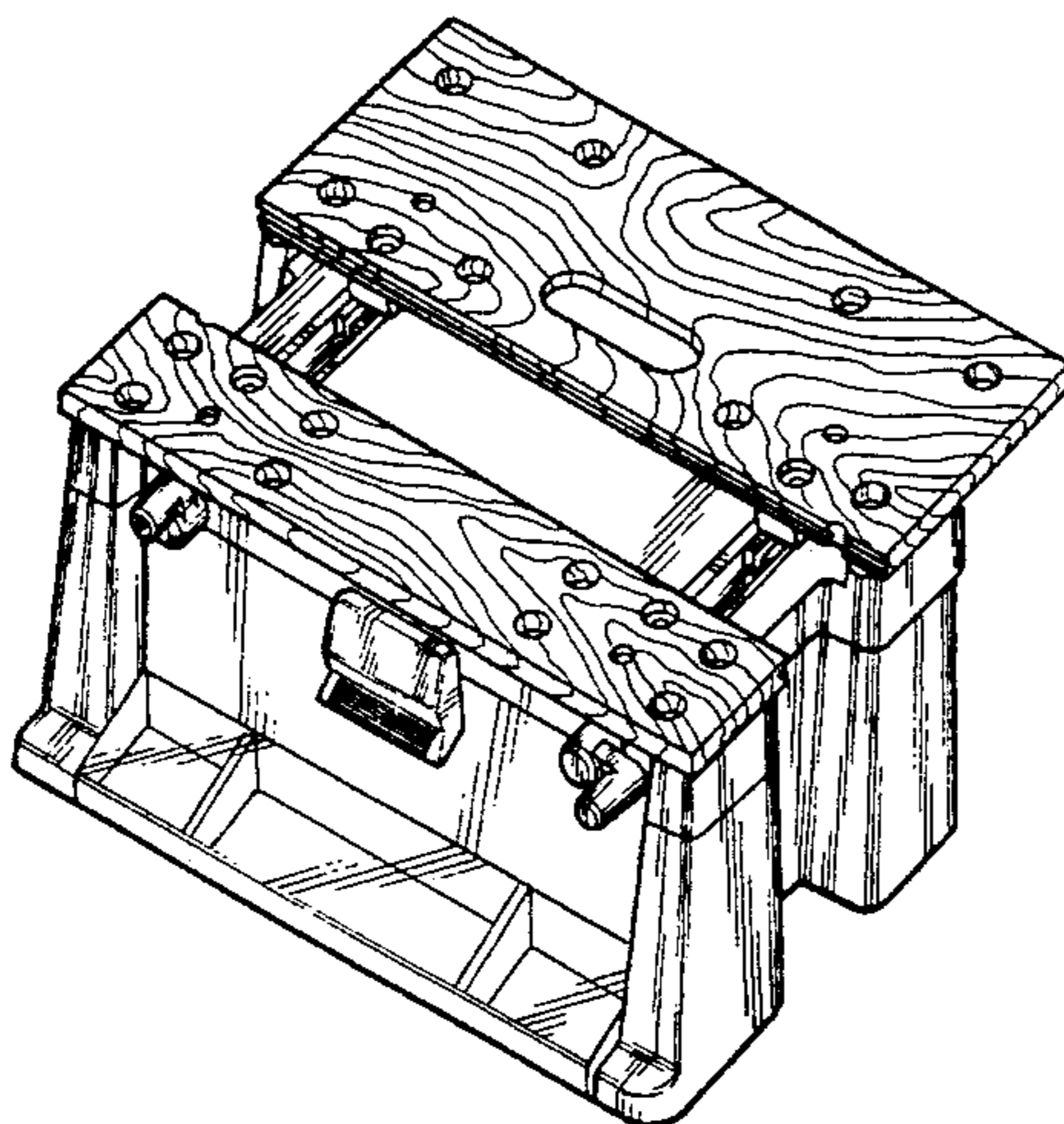
FIG. 5 is a rear elevational view of the utility box shown in FIG. 1;

FIG. 6 is a top plan view of the utility box shown in FIG. 1;

FIG. 7 is a bottom plan view of the utility box shown in FIG. 1; and,

FIG. 8 is a perspective view of the design for a utility box incorporating an integral clamping vise according to another embodiment of the present invention differing only in the composition of the clamping jaws of the integral vise and that the exteriorly located tray has an opaque cover and showing the clamping vise in an open position.

1 Claim, 5 Drawing Sheets



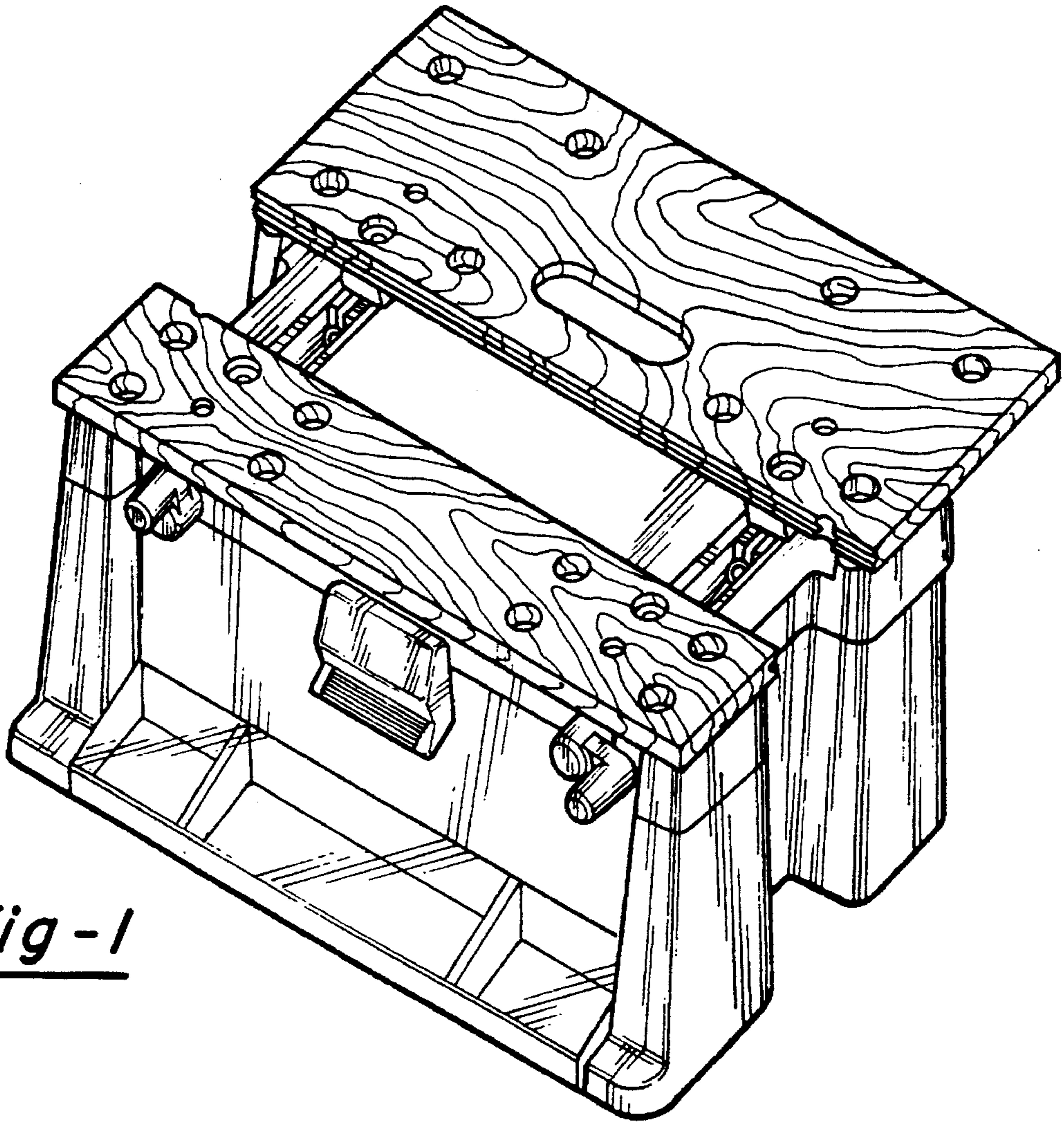
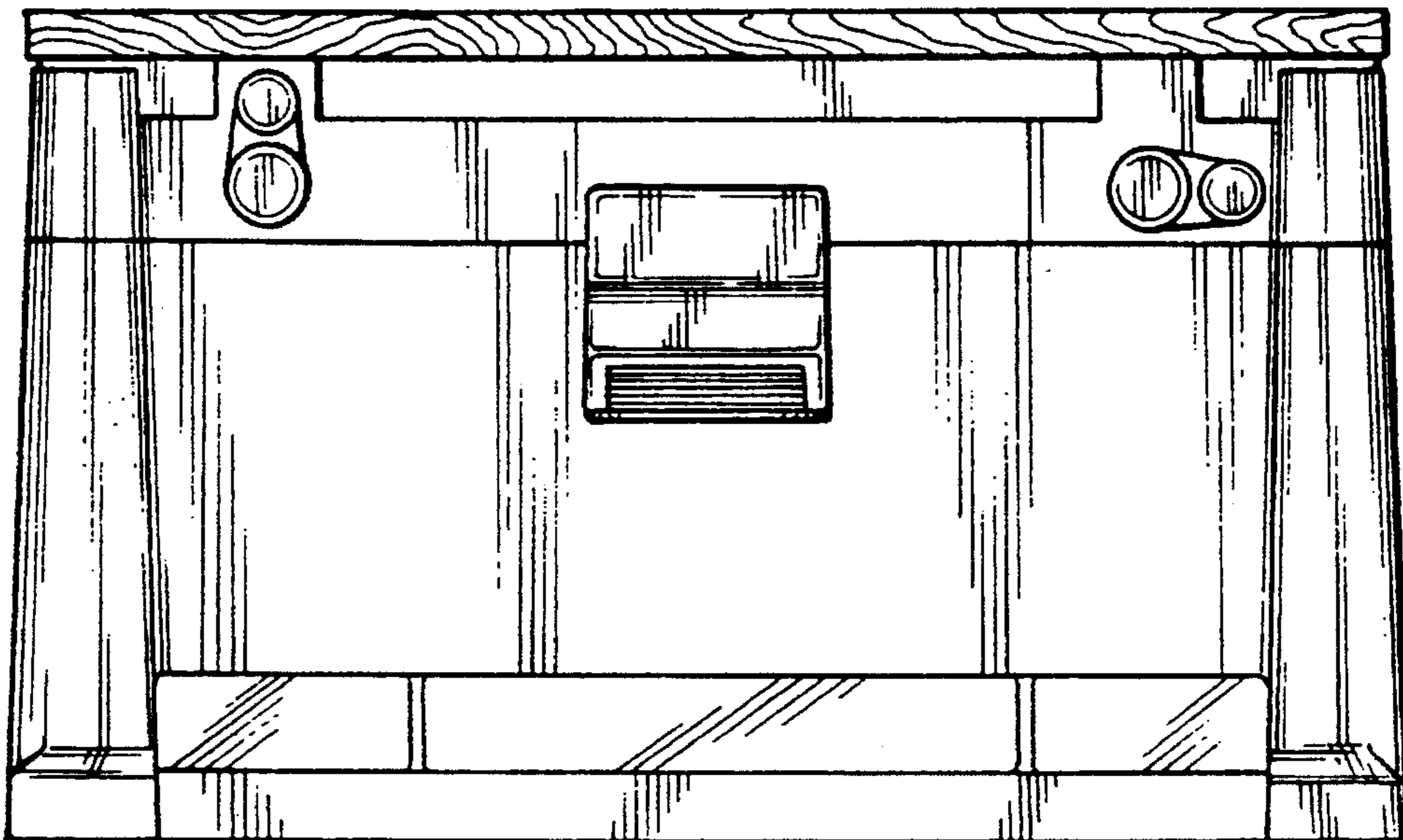


Fig-1

Fig-2



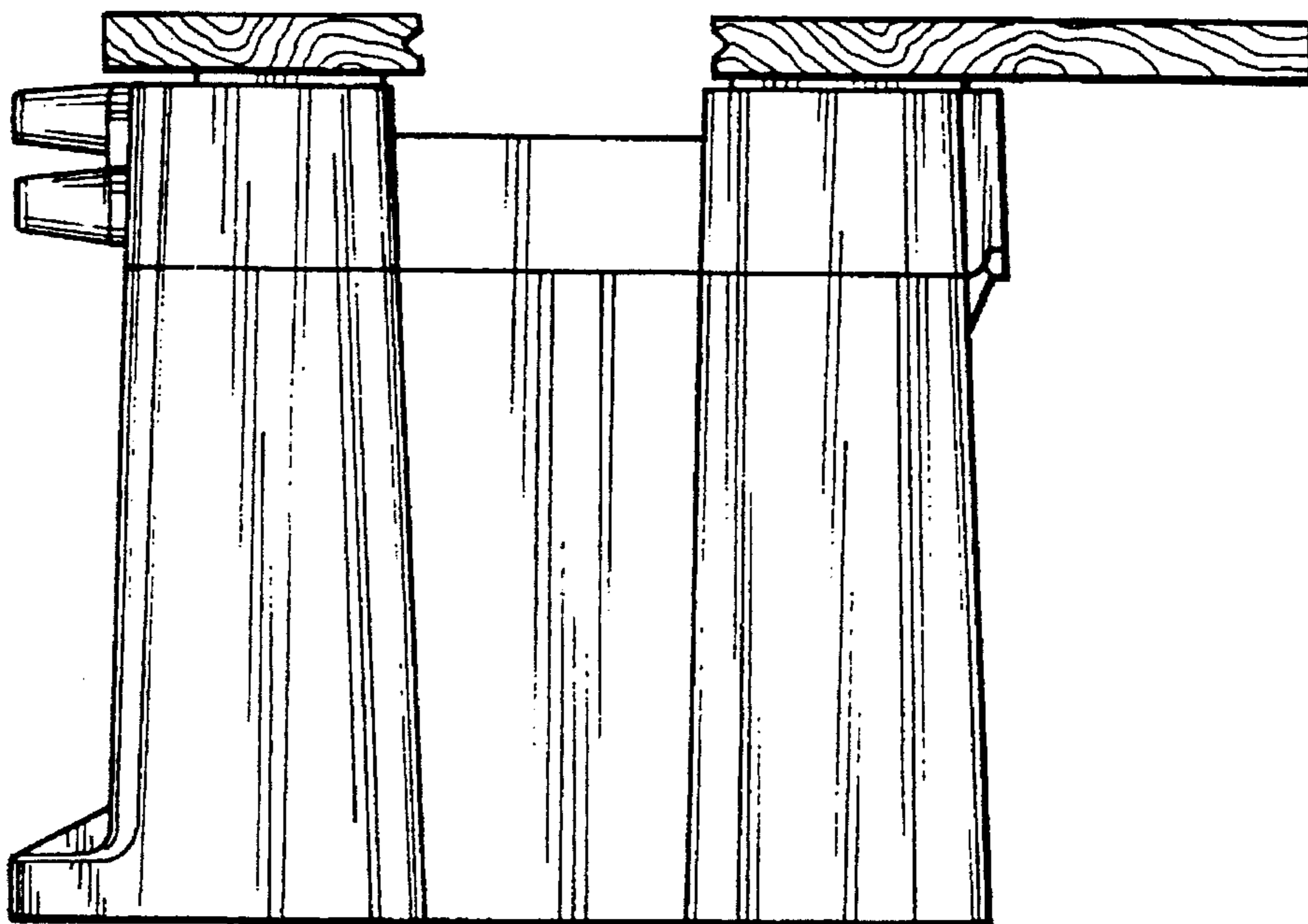


Fig-3

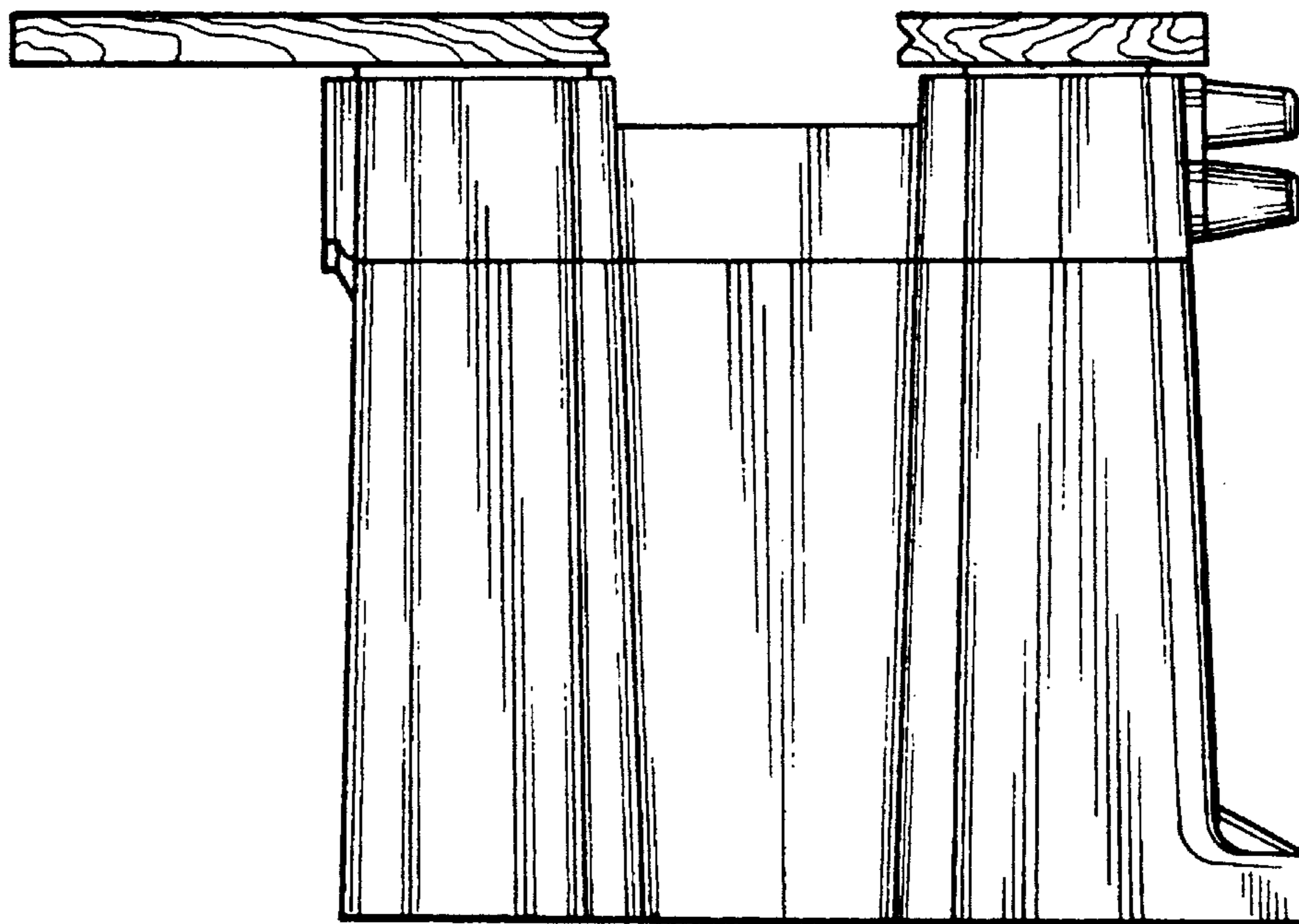


Fig-4

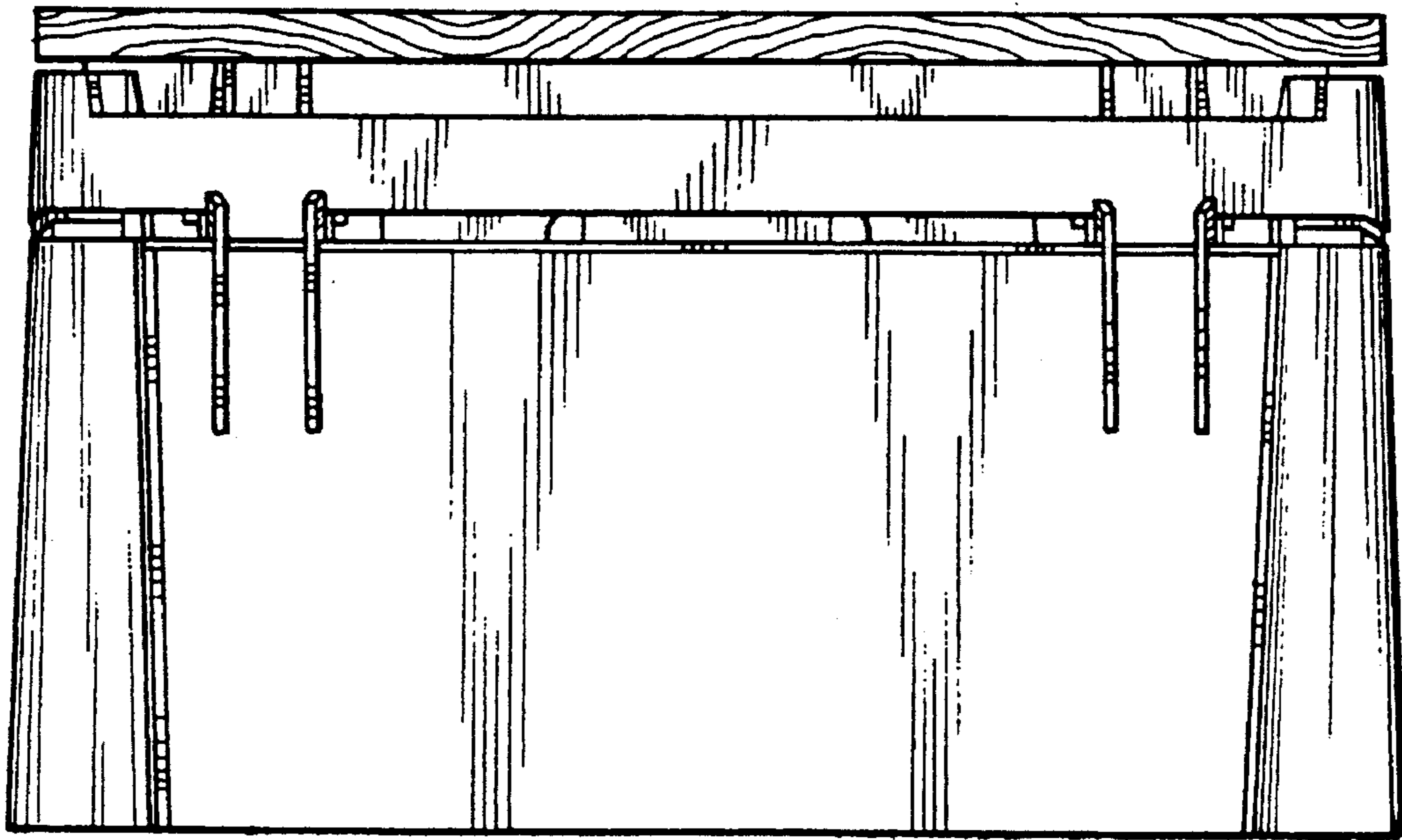
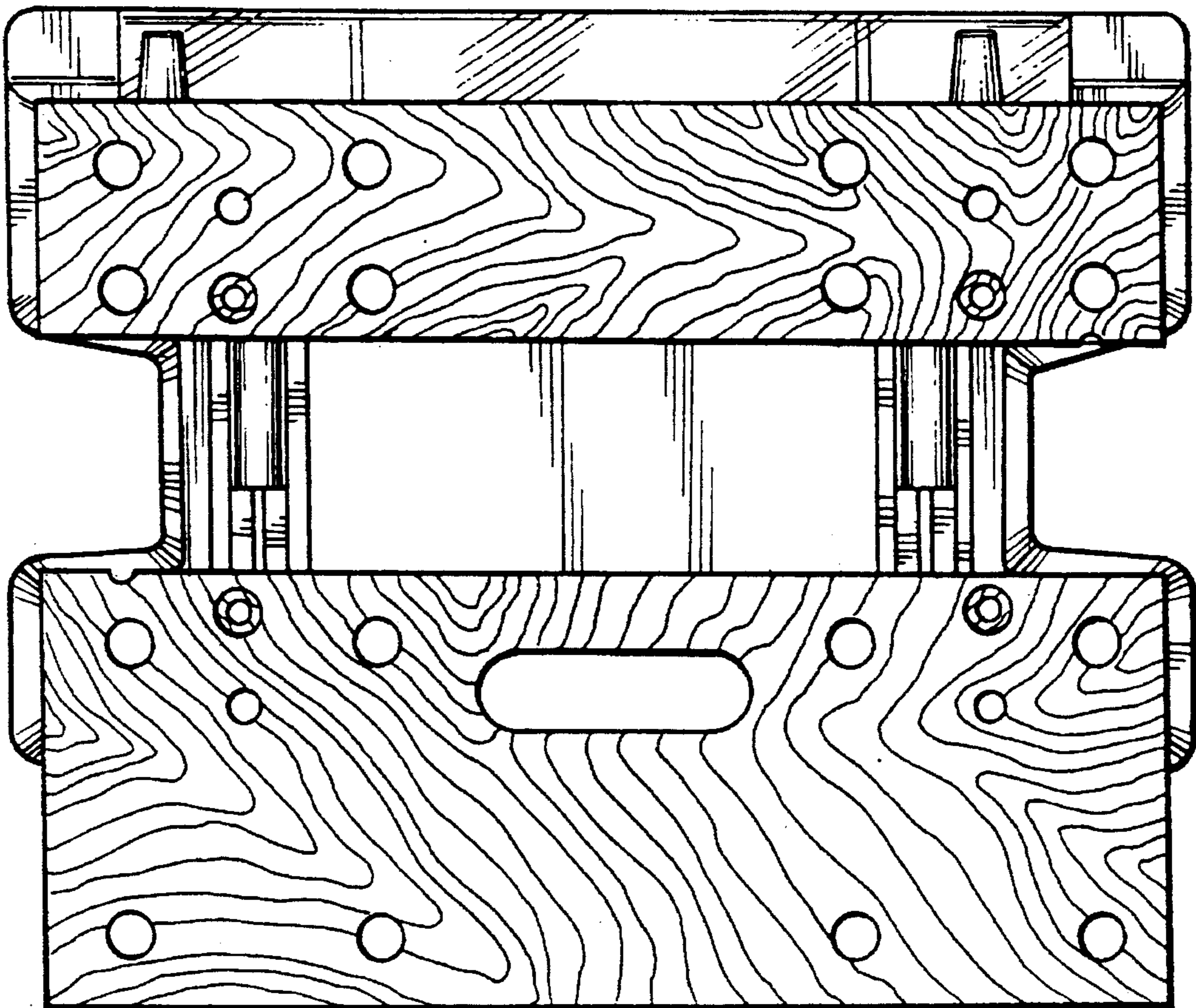


Fig - 5

Fig - 6



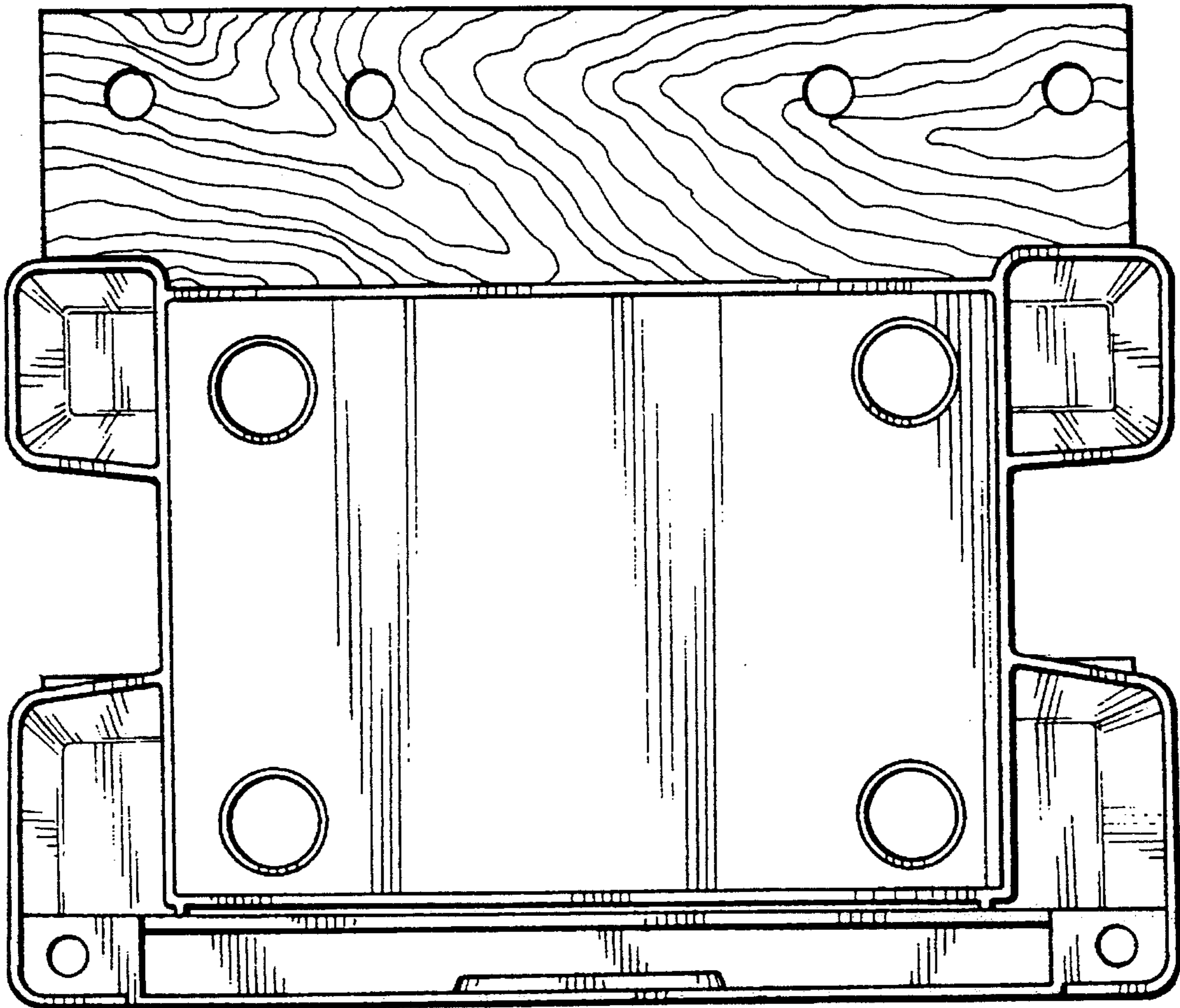


Fig-7

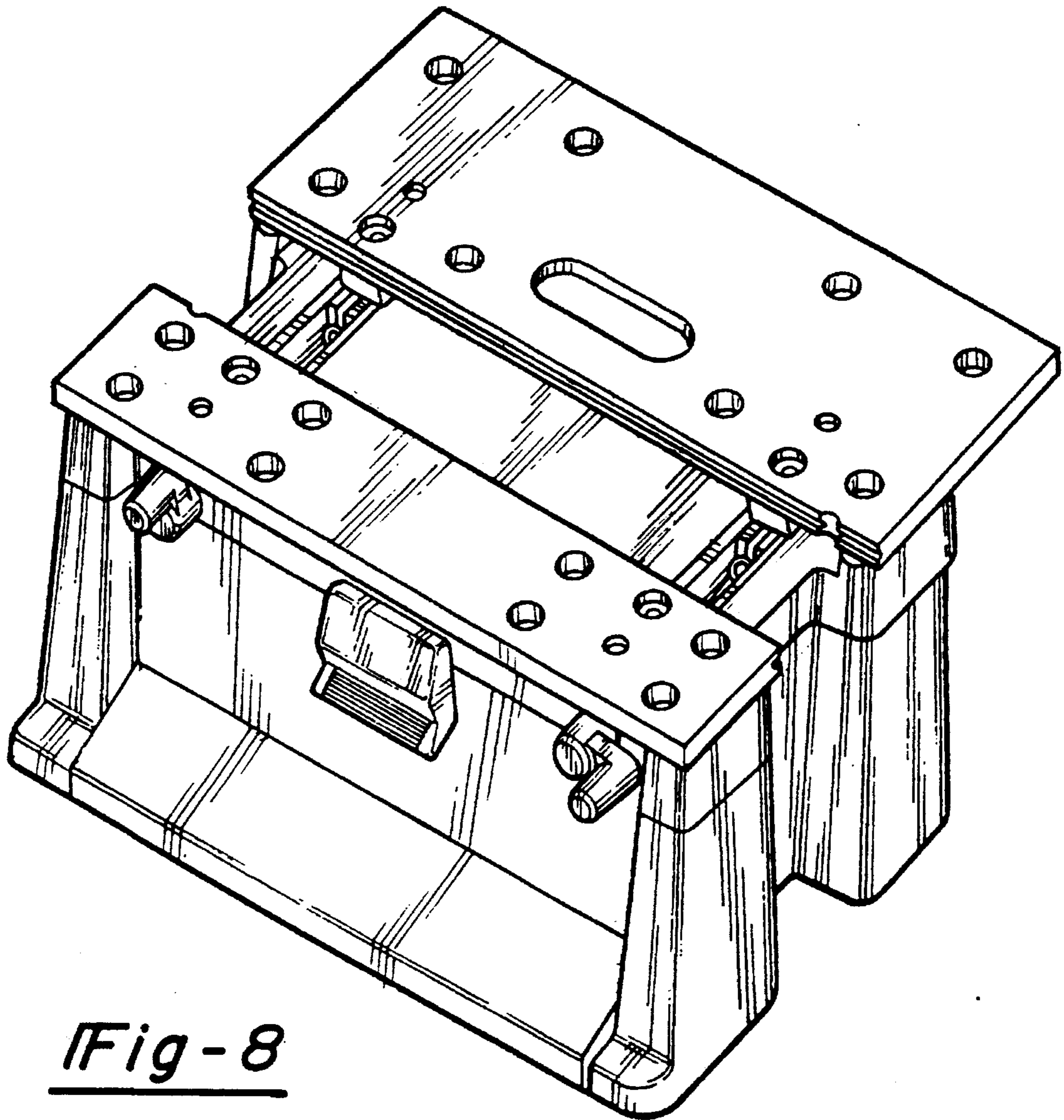


Fig-8

UNITED STATES PATENT AND TRADEMARK OFFICE
CERTIFICATE OF CORRECTION

PATENT NO. : Des. 375,834
DATED : November 26, 1996
INVENTOR(S) : Edward H. Meisner et al.

It is certified that error appears in the above-identified patent and that said Letters Patent is hereby corrected as shown below:

On the Title Page, under "Inventors:", line 6, "Dolsen" should be ~~-Dolson-~~.

Signed and Sealed this
Eleventh Day of March, 1997

Attest:



BRUCE LEHMAN

Attesting Officer

Commissioner of Patents and Trademarks