



US00D375833S

United States Patent [19]

[11] **Patent Number: Des. 375,833**

Dixon et al.

[45] **Date of Patent: **Nov. 26, 1996**

[54] **BACK PACK**

D. 350,228	9/1994	Poire	D3/217
D. 358,023	5/1995	Poire	D3/217
D. 360,072	7/1995	Poire	D3/217

[75] Inventors: **David B. Dixon; Maria Do Carmo Nazareth**, both of New York, N.Y.

Primary Examiner—Celia Murphy
Attorney, Agent, or Firm—James J. Romano, Jr.

[73] Assignee: **Mildex Pack, Inc.**, New York, N.Y.

[**] Term: **14 Years**

[57] CLAIM

[21] Appl. No.: **30,939**

The ornamental design for a back pack, as shown and described.

[22] Filed: **Nov. 14, 1994**

[52] U.S. Cl. **D3/217; D3/216**

DESCRIPTION

[58] Field of Search **D3/214-215, 216, D3/217; 224/153**

FIG. 1 is a front, right side perspective view of a back pack showing our new design;

FIG. 2 is a top plan view thereof;

FIG. 3 is a left side elevational view thereof;

FIG. 4 is a rear elevational view thereof; and,

FIG. 5 is a bottom plan view thereof.

[56] References Cited

U.S. PATENT DOCUMENTS

D. 260,697	9/1981	Fitzgerald et al.	D3/217
D. 343,515	1/1994	Monneret	D3/270
D. 348,151	6/1994	Acheson	D3/217

1 Claim, 3 Drawing Sheets

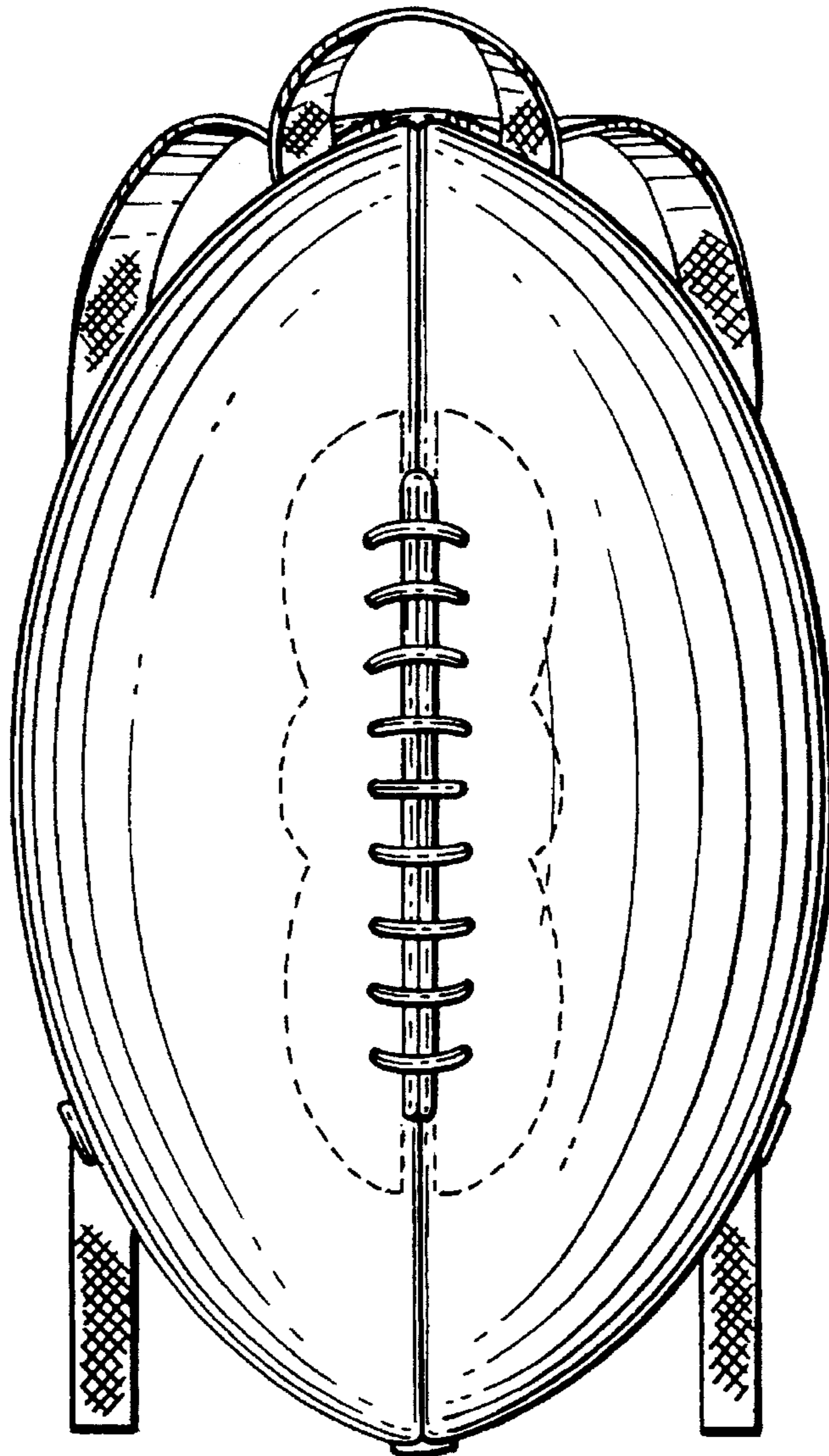


FIG. 1

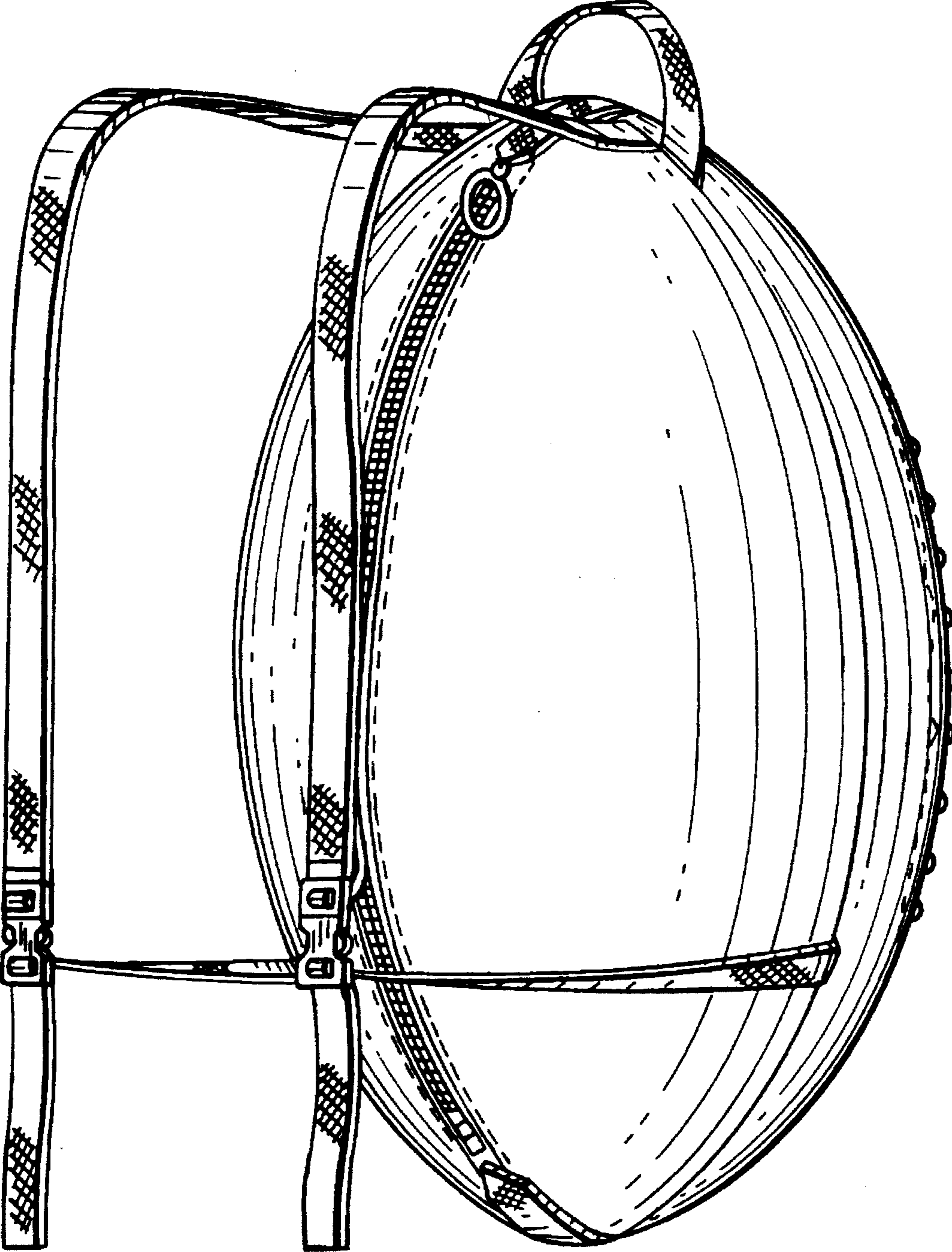


FIG. 2

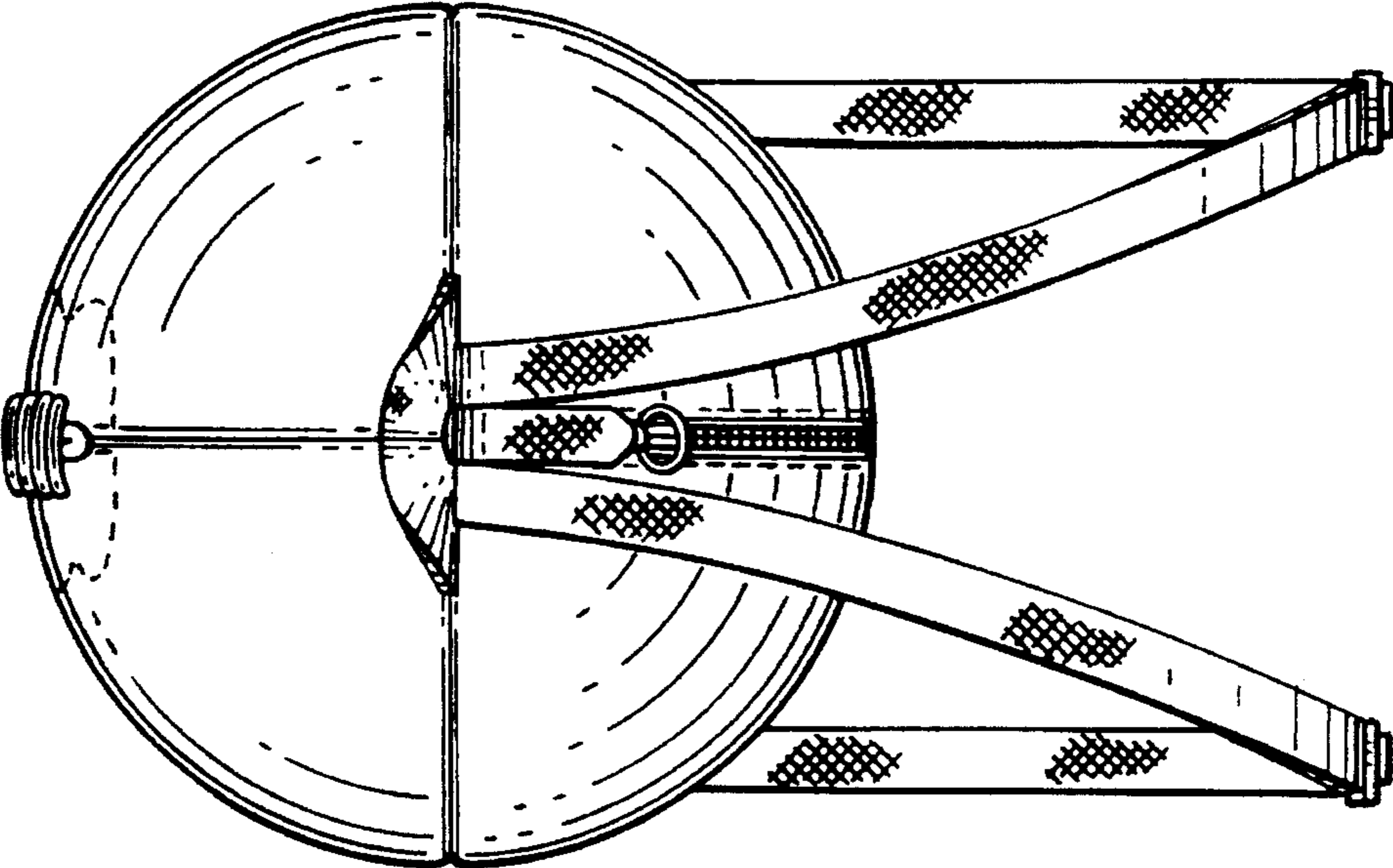


FIG. 3

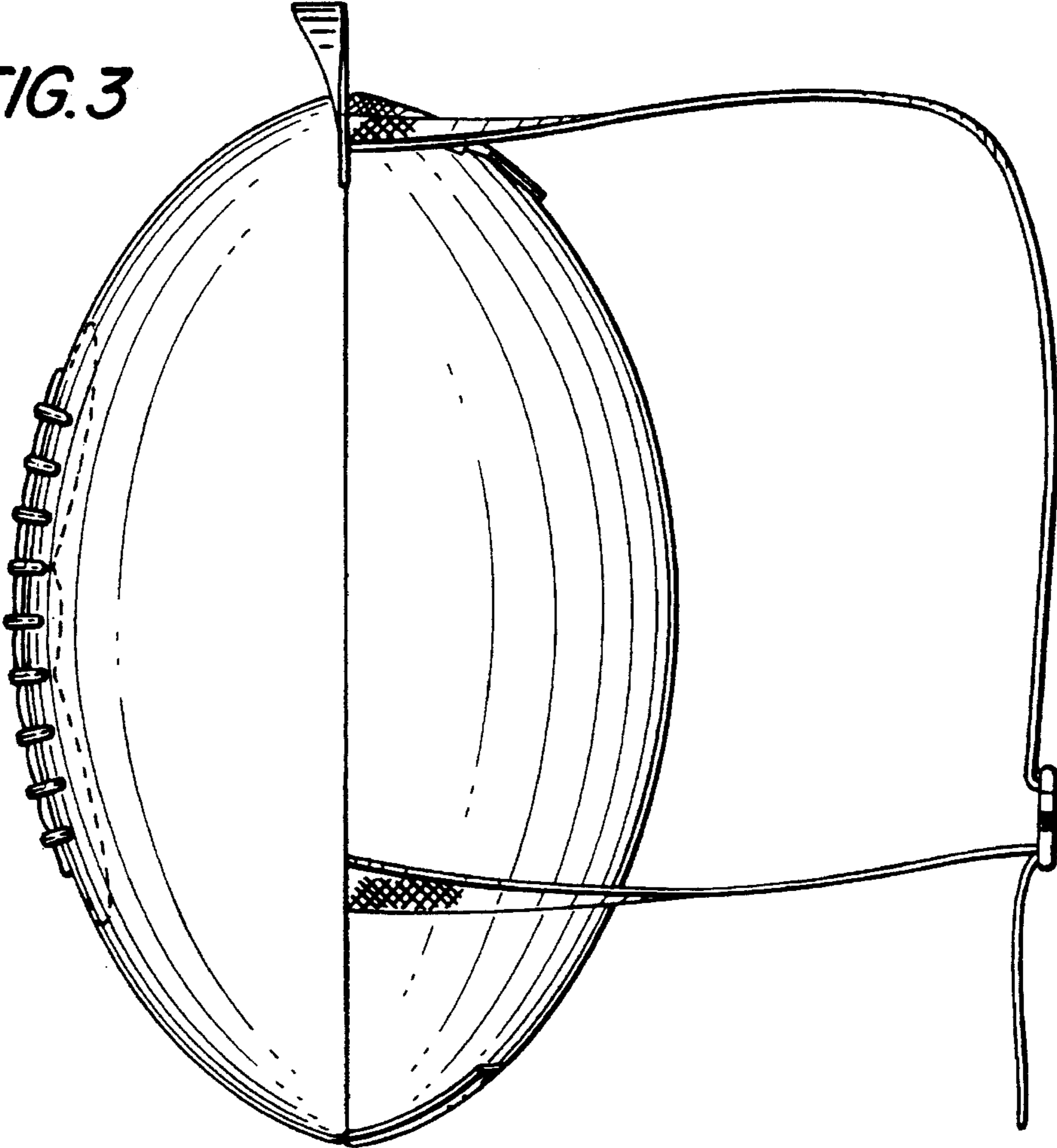


FIG. 4

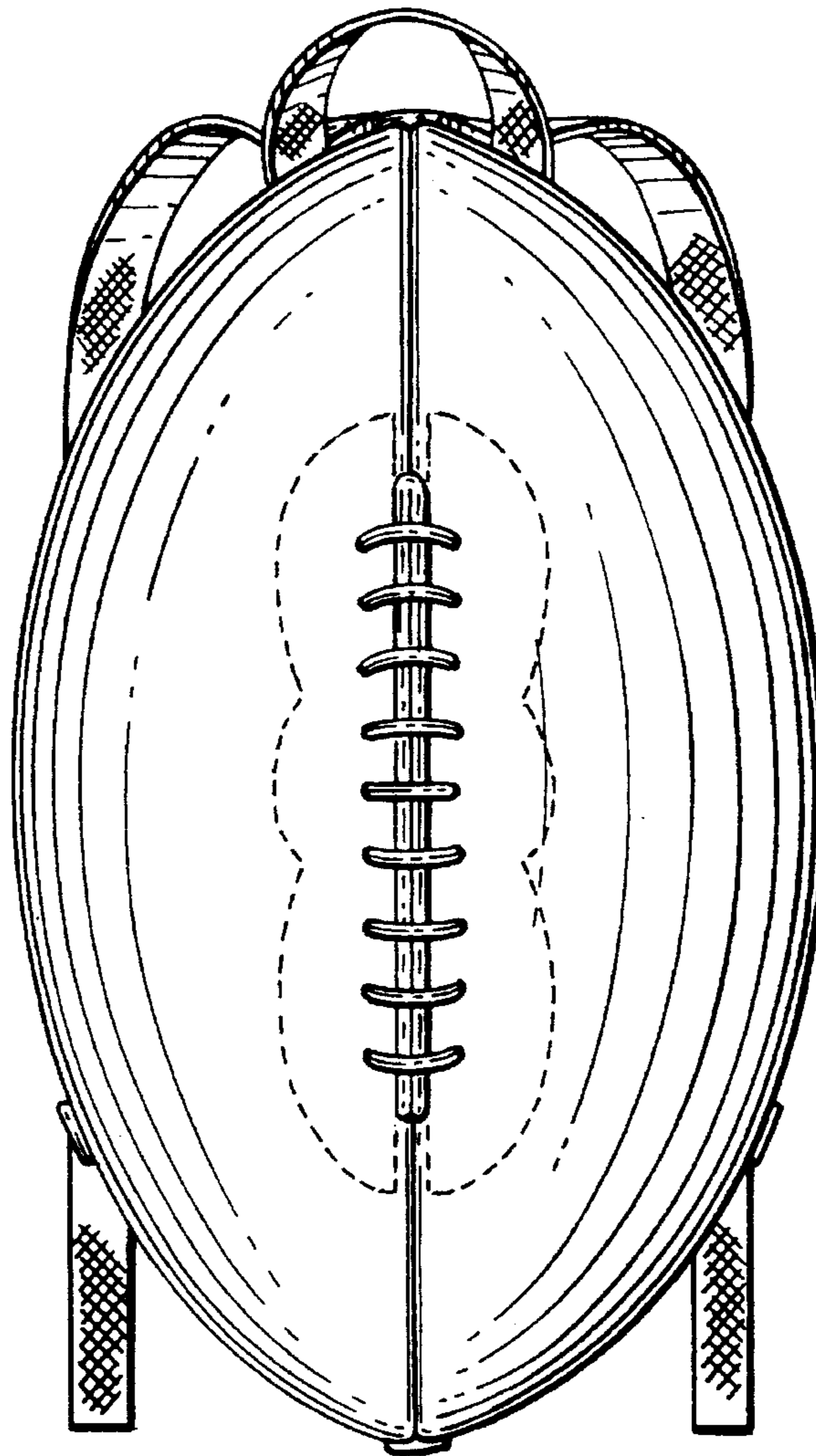


FIG. 5

