



US00D375832S

United States Patent [19]

[11] Patent Number: **Des. 375,832**

Miller

[45] Date of Patent: ****Nov. 26, 1996**

[54] **THREAD SEPARATOR**

[76] Inventor: **Karen Miller**, 10217 Lakeview Dr., El Paso, Tex. 79924

[**] Term: **14 Years**

[21] Appl. No.: **42,509**

[22] Filed: **Aug. 11, 1995**

[52] U.S. Cl. **D3/23**

[58] Field of Search D3/18-20; 206/590, 206/392, 225, 399, 492; 223/106; 209/704; 211/10, 61, 70.1, 73, 72, 74, 70.6; D8/349, 554, 16; D10/46.2, 46.3; D21/210, 213; 248/925; D5/1, 2, 3

[56] **References Cited**

U.S. PATENT DOCUMENTS

D. 297	9/1950	Sawai	D3/20
D. 223,901	6/1972	Shaeffer	D5/3 X
D. 236,529	8/1975	Courtney	D3/23
D. 237,667	11/1975	Percelay	D3/23
D. 274,803	7/1984	Hughes	D15/5 X
D. 289,008	3/1987	Hamel	D8/356
D. 293,203	12/1987	Hertensteiner	D8/349 X
D. 301,575	6/1989	Crawford, Jr.	D24/229 X
D. 308,006	5/1990	Robbins	D10/46.3 X
D. 318,332	7/1991	Allen	D24/229
D. 338,057	8/1993	Robbins	D23/213
2,156,777	5/1939	Duryea	D5/2 X
2,704,928	3/1955	Curry	211/74
2,979,210	4/1961	Patterson	D24/229 X
3,054,277	9/1962	Broschard	D3/18 X
3,184,071	5/1965	Delaire	211/74
3,379,315	4/1968	Broadwin	211/72
3,682,597	8/1972	Husch	D24/229 X

3,856,140	12/1974	Fitts	206/338
4,124,122	11/1978	Emmitt	211/74
4,264,011	4/1981	Dalbo et al.	206/574
4,281,768	8/1981	Sommers	211/74
4,310,313	1/1982	Brundige	206/574
4,321,999	3/1982	Higgins	206/370
4,380,296	4/1983	Murray et al.	209/704
4,793,097	12/1988	Whitcomb	211/74 X
4,978,008	12/1990	Dalbo et al.	206/574

OTHER PUBLICATIONS

"Dead Man"—Chouinard Equipment Catalog, p. 39 Apr. 14, 1984.

Drive Shaft Safety Loop, Jeg's High Performance Mail Cat. p. 124-Q Apr. 21, 1993.

Primary Examiner—Louis S. Zarfes

Assistant Examiner—Frank Martinez

Attorney, Agent, or Firm—James A. Hudak

[57] **CLAIM**

The ornamental design for a thread separator, as shown and described.

DESCRIPTION

FIG. 1 is a perspective view of the thread separator showing my new design;

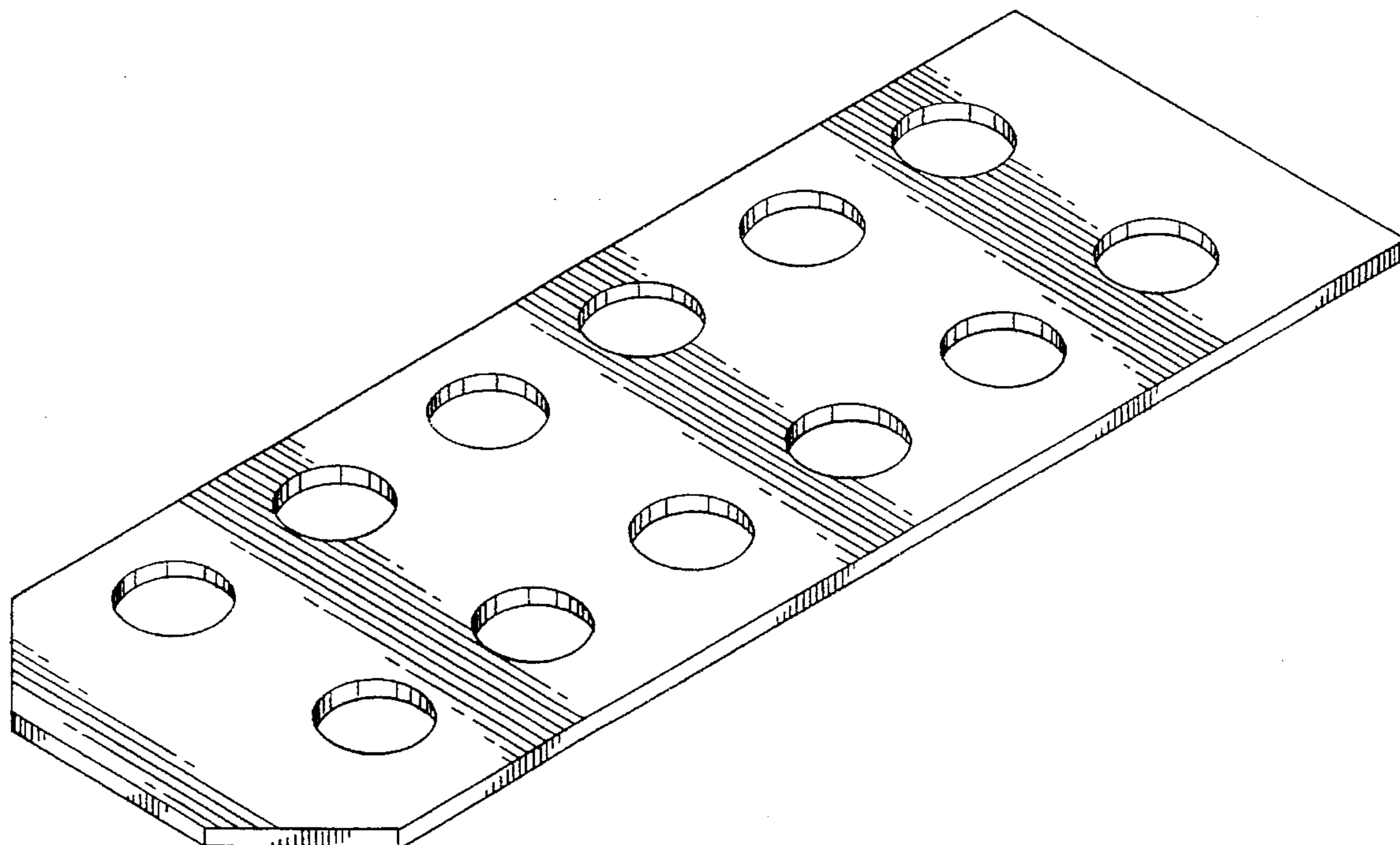
FIG. 2 is a front elevational view thereof;

FIG. 3 is a rear elevational view thereof;

FIG. 4 is a right side elevational view thereof, the left side elevational view being a mirror image of the view shown in this Figure; and,

FIG. 5 is a top plan view thereof, the bottom plan view being a mirror image of the view shown in this Figure.

1 Claim, 2 Drawing Sheets



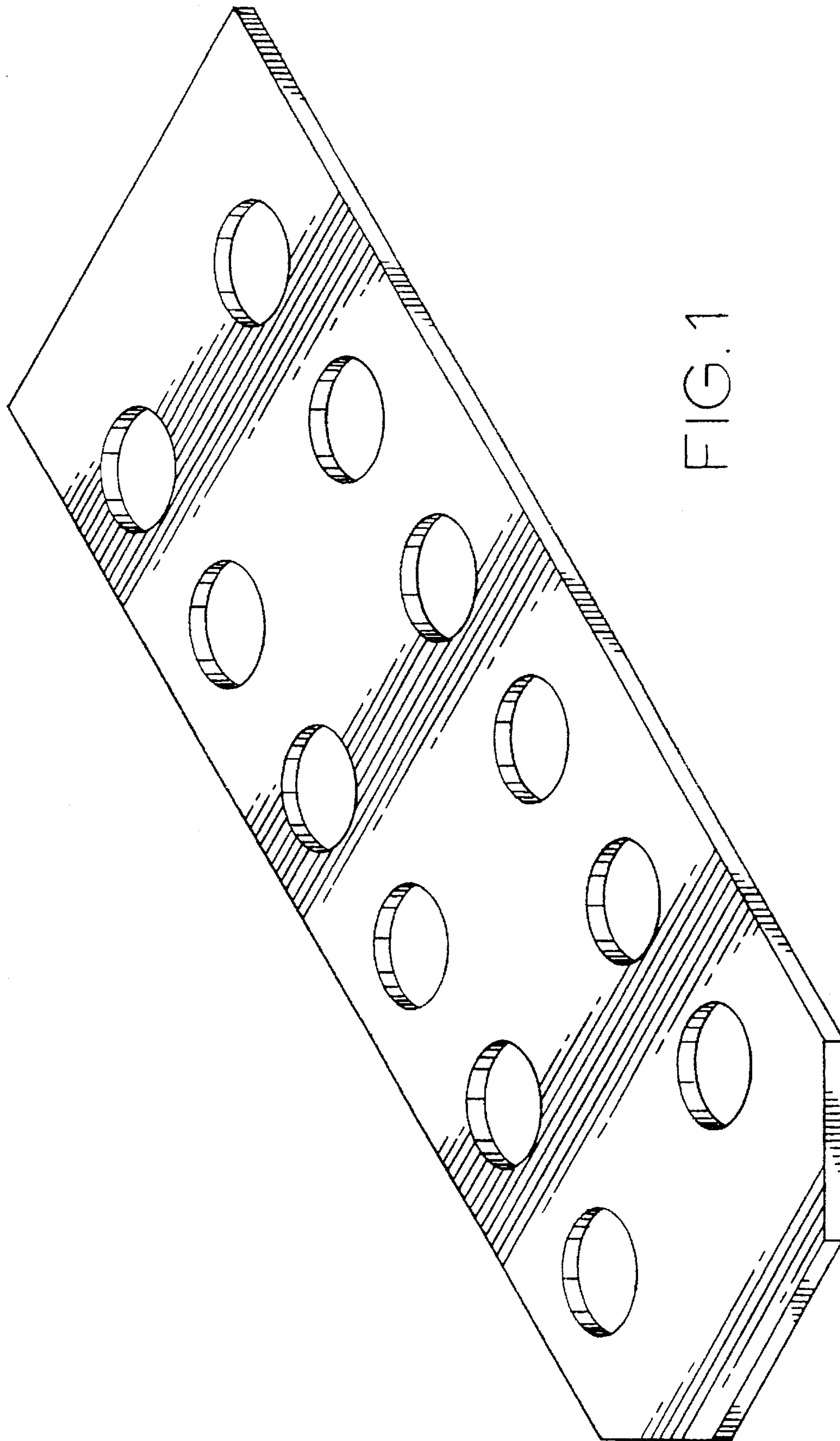


FIG. 1



FIG. 2



FIG. 3

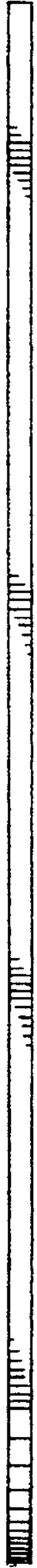


FIG. 4

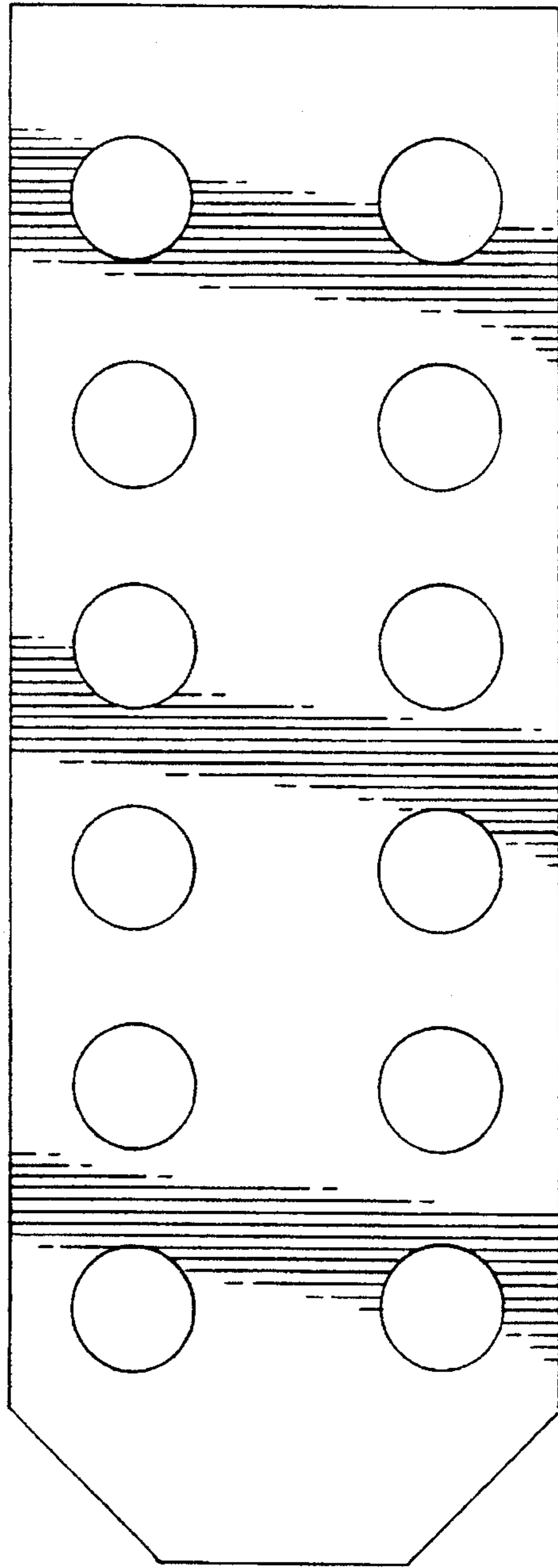


FIG. 5