



US00D375827S

# United States Patent [19]

[11] Patent Number: **Des. 375,827**

Will

[45] Date of Patent: **\*\*Nov. 26, 1996**

[54] **CAP BAND COVER**

[76] Inventor: **Kenneth L. Will**, 5621 Beaver Trail,  
Indian Woods, India.

[\*\*] Term: **14 Years**

4,872,218	10/1989	Holt .	
4,905,406	3/1990	Warner .	
4,914,843	4/1990	Dewoskin .....	40/633
5,003,640	4/1991	Pizzaear .	
5,313,668	5/1994	Bogan et al. ....	2/209.13 X

### OTHER PUBLICATIONS

[21] Appl. No.: **24,979**

Sales Bulletin of Park Industries, Inc., Jan. 1, 1994; No ASI/76240—Front cover and pp. 18–19.

[22] Filed: **Jun. 24, 1994**

[52] U.S. Cl. .... **D2/891**; D2/894

*Primary Examiner*—Paula A. Mortimer

[58] **Field of Search** ..... D2/865, 894, 891;  
2/195.1, 195.2, 175.7, 206, 209.12, 209.13,  
181.4, 181, 171; 362/103, 105, 106; D20/10,  
22, 27; 40/329.5, 633, 655

*Attorney, Agent, or Firm*—Middleton & Reutlinger; David W. Carrithers

### [57] CLAIM

### [56] References Cited

The ornamental design for a cap band cover, as shown and described.

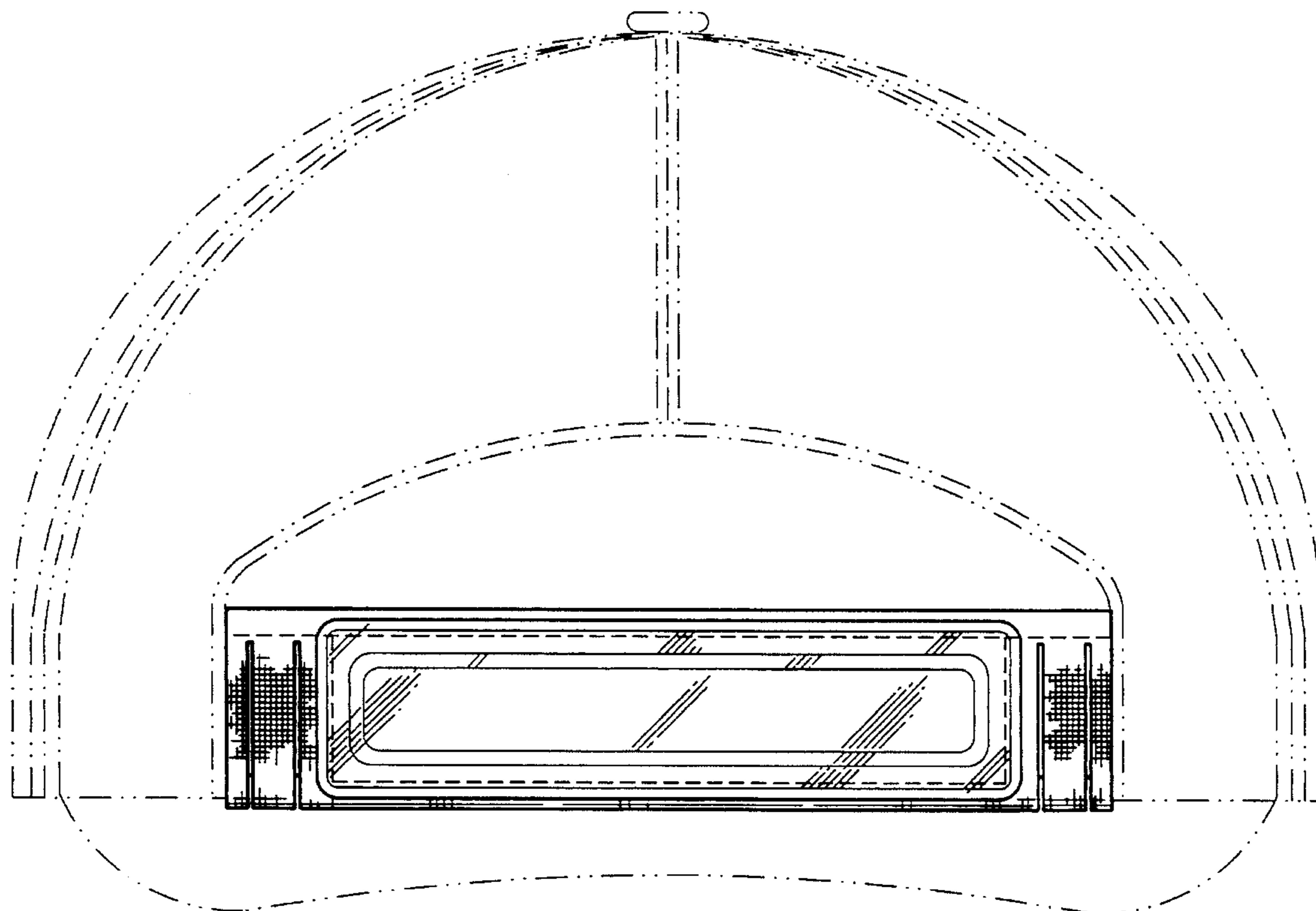
#### U.S. PATENT DOCUMENTS

#### DESCRIPTION

D. 342,284	12/1993	McMarrell .....	D20/22
437,132	9/1890	Ricketts .....	2/209.13 X
525,287	8/1894	Ruth .	
676,293	6/1901	Wright .	
1,294,595	2/1919	Allen .	
1,558,842	10/1925	Cole .....	40/329 X
1,559,917	11/1925	Schwebel .	
1,808,966	6/1931	Morgan .	
2,181,446	11/1939	Ames .	
2,577,717	12/1951	Stevens .....	40/329
2,956,324	10/1960	Klein .....	D11/200 X
3,197,899	8/1965	Twentier .....	40/633
4,199,882	4/1980	Clayman .....	D20/274 X
4,365,354	12/1982	Sullivan .....	2/171 X
4,517,685	5/1985	Lesley .....	2/171 X
4,776,043	10/1988	Coleman .	

FIG. 1 is a front perspective view of a cap band cover showing my new design;  
 FIG. 2 is a top plan view thereof;  
 FIG. 3 is an end elevational view thereof;  
 FIG. 4 is a front elevational view thereof;  
 FIG. 5 is an opposite end elevational view thereof;  
 FIG. 6 is a bottom plan view thereof;  
 FIG. 7 is a rear elevational view thereof;  
 FIG. 8 is a front elevational view thereof, the broken line showing of the cap is for illustrative purposes only and forms no part of the claimed design; and,  
 FIG. 9 is a front perspective view thereof.

**1 Claim, 3 Drawing Sheets**



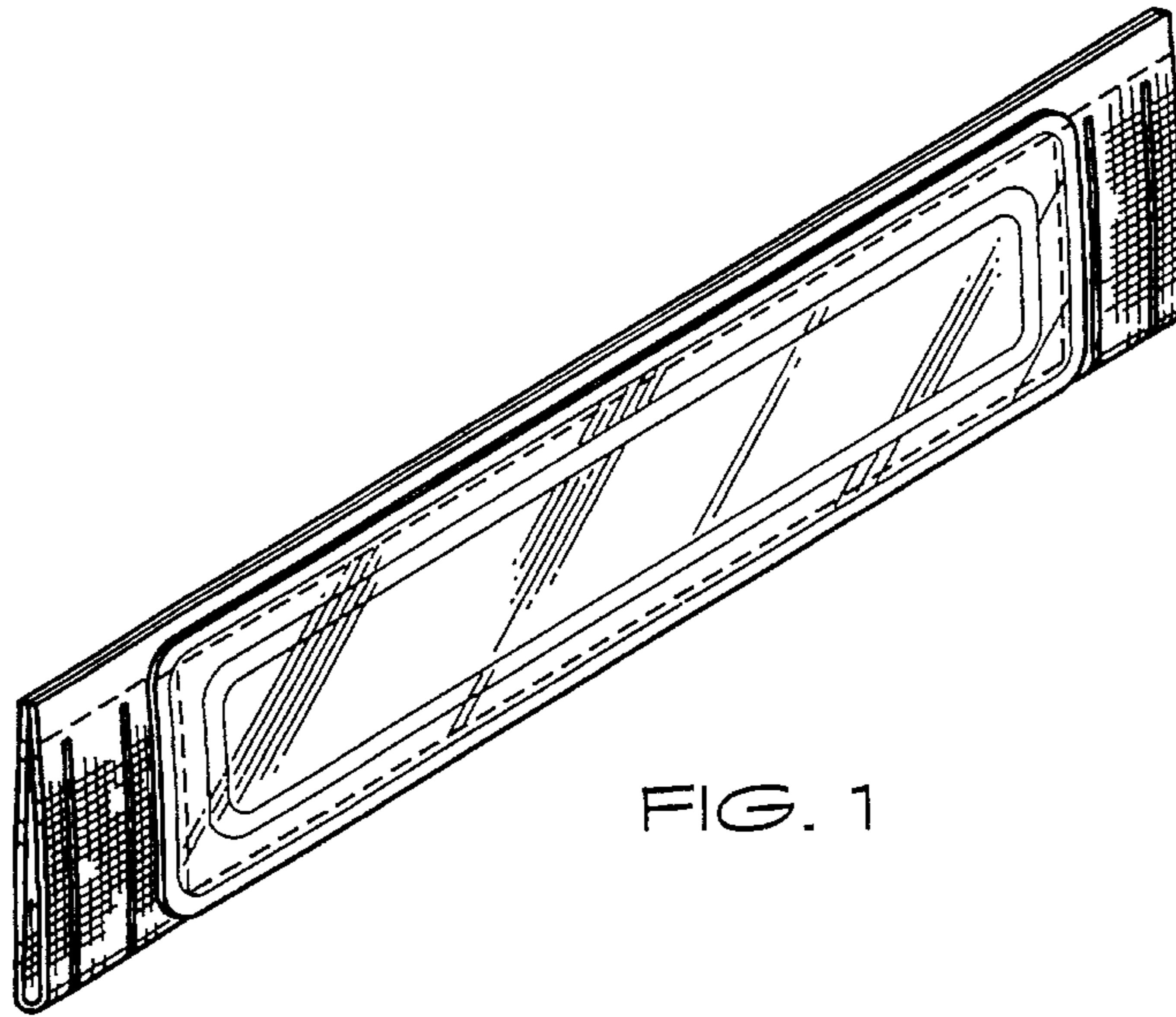


FIG. 1

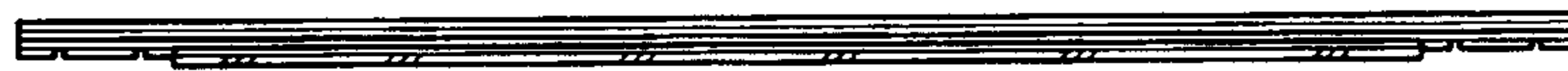


FIG. 2



FIG. 3

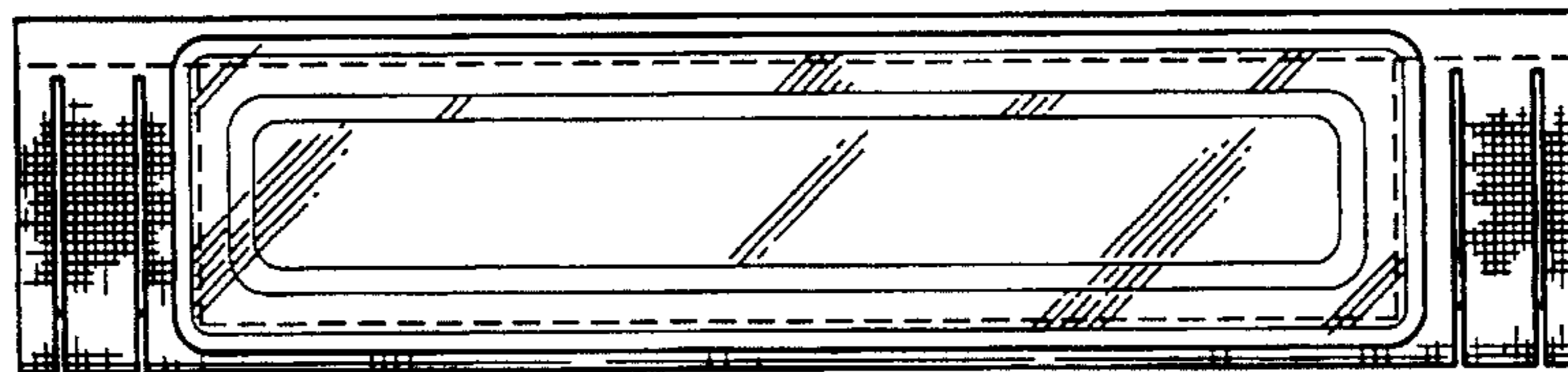


FIG. 4



FIG. 5

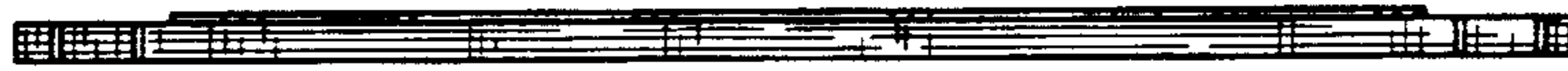


FIG. 6

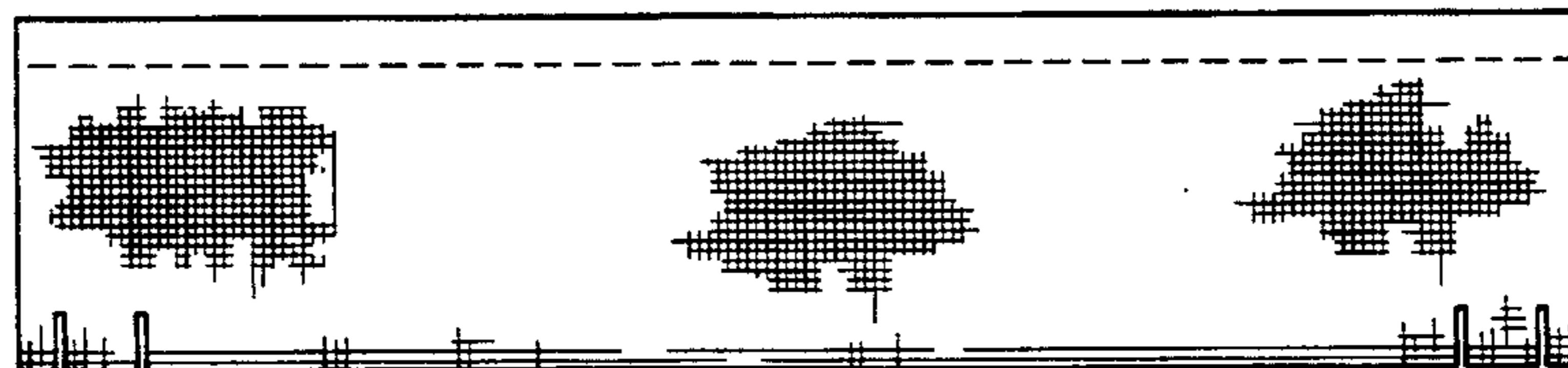


FIG. 7

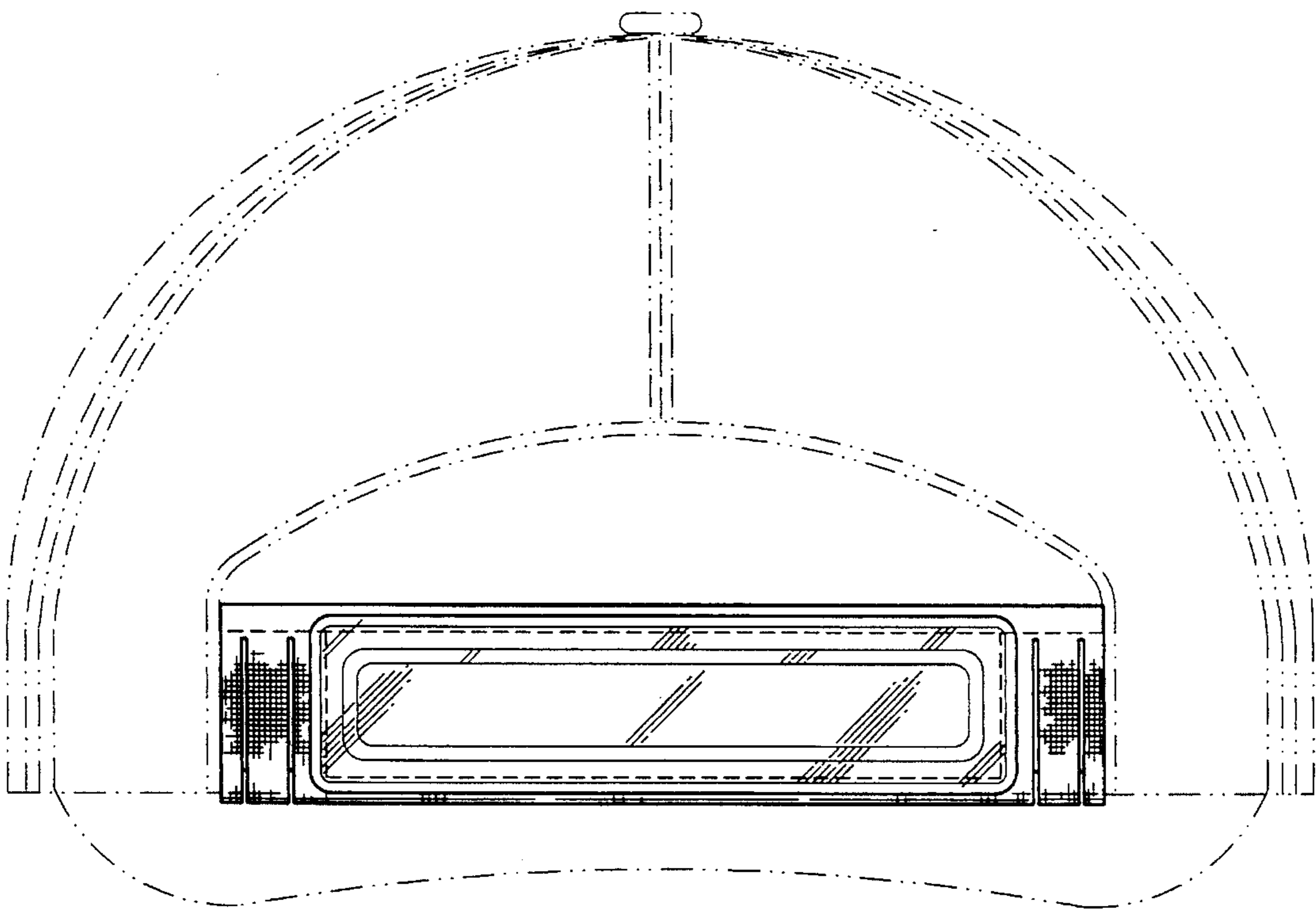


FIG. 8

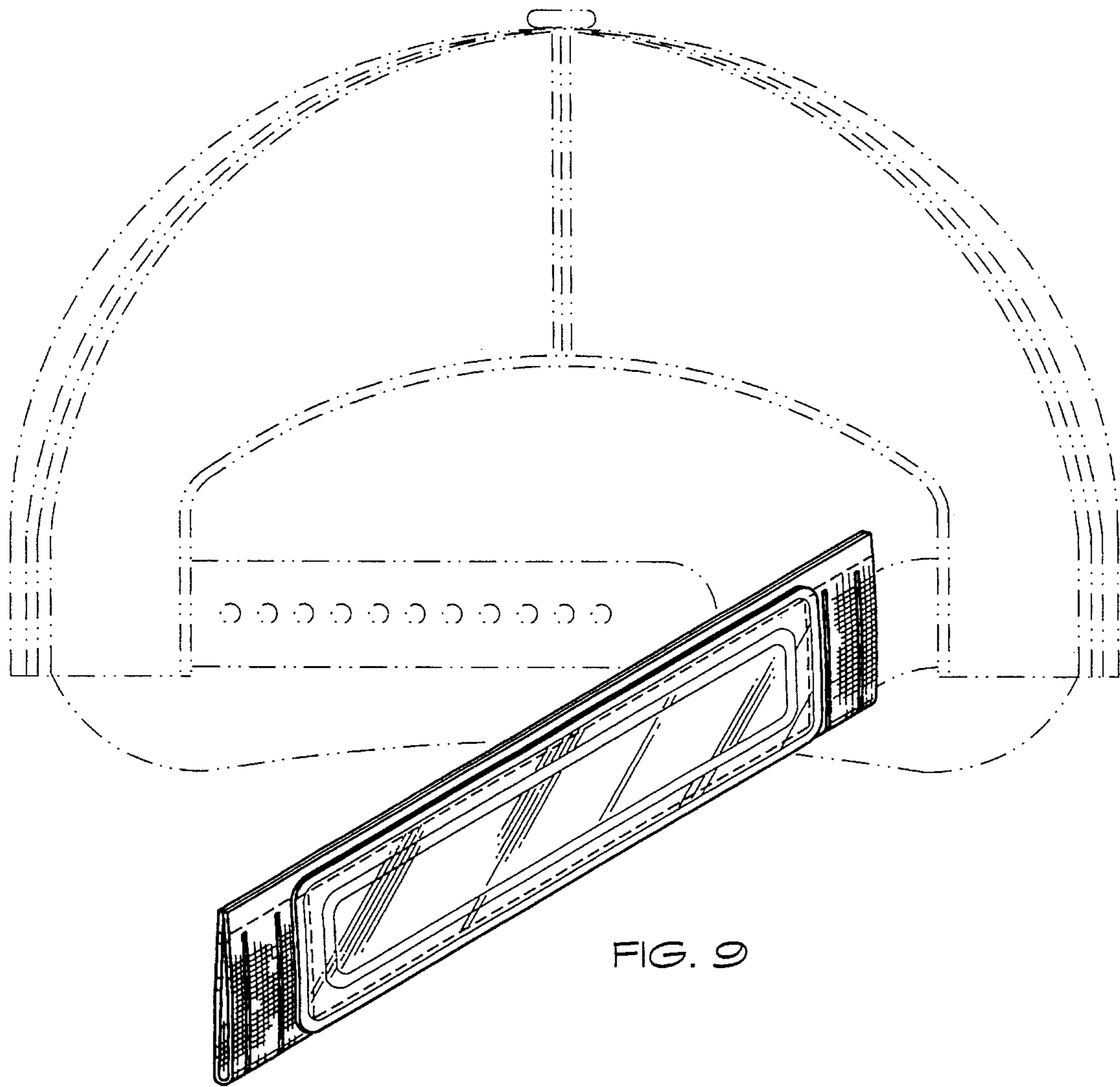


FIG. 9