



US00D375820S

United States Patent [19]
Piccaluga et al.

[11] **Patent Number: Des. 375,820**
[45] **Date of Patent: **Nov. 19, 1996**

[54] **VACUUM CLEANER**

FOREIGN PATENT DOCUMENTS

[75] Inventors: **Francesco Piccaluga; Aldo Piccaluga,**
both of Toronto; **William Ng,**
Markham, all of Canada

54488 5/1985 Canada .
63719 7/1989 Canada .
69853 1/1992 Canada .
1048658 8/1988 United Kingdom .

[73] Assignee: **Iona Appliances Inc.,** Welland, Canada

Primary Examiner—Ruth McInroy
Attorney, Agent, or Firm—Bereskin & Parr; Philip Mendes
da Costa

[**] Term: **14 Years**

[21] Appl. No.: **40,788**

[57] **CLAIM**

[22] Filed: **Jun. 27, 1995**

The ornamental design for a vacuum cleaner, as shown.

[52] U.S. Cl. **D32/22**

DESCRIPTION

[58] Field of Search D32/21, 22, 31-34;
15/320, 322, 323, 347, 350-353

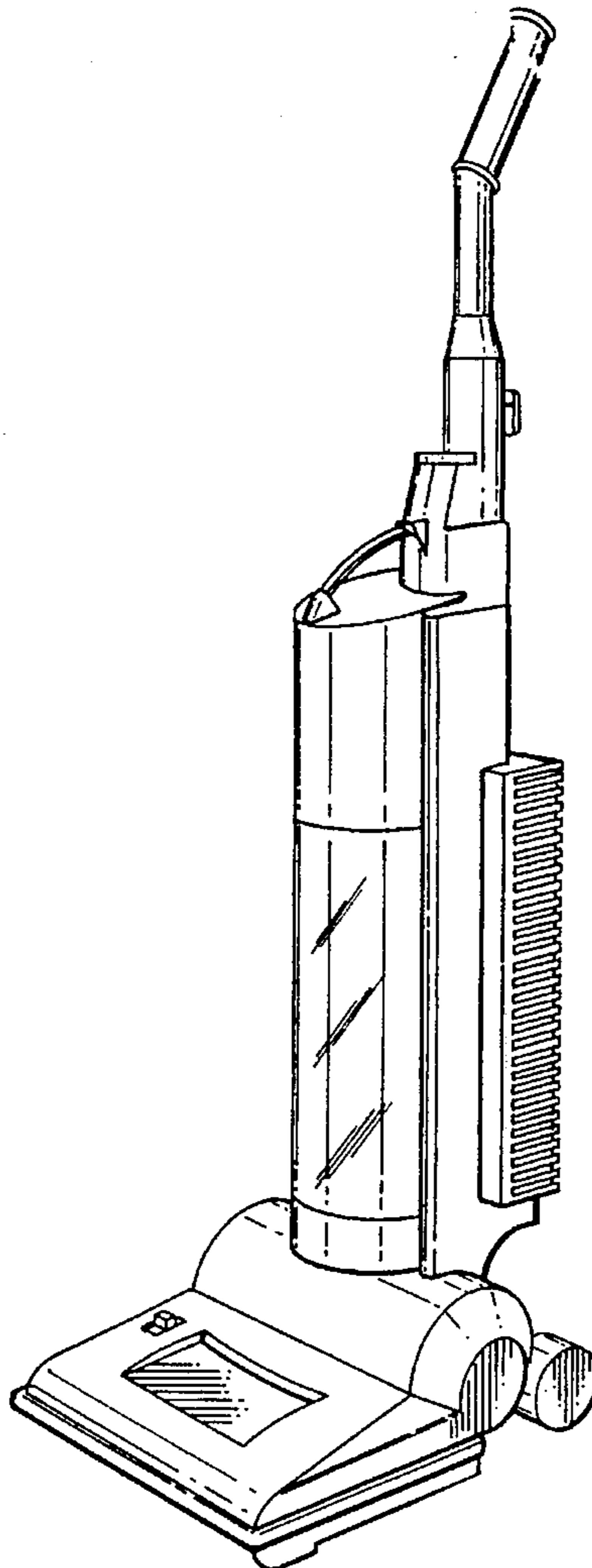
FIG. 1 is a prospective view from the front and one side, of the vacuum cleaner;
FIG. 2 is a front plan view of the vacuum cleaner of FIG. 1;
FIG. 3 is a top plan view of the vacuum cleaner of FIG. 1;
FIG. 4 is a side plan view of one side of the vacuum cleaner of FIG. 1;
FIG. 5 is a side plan view of the other side of the vacuum cleaner of FIG. 1; and,
FIG. 6 is a rear plan view of the vacuum cleaner of FIG. 1.

[56] **References Cited**

U.S. PATENT DOCUMENTS

- D. 305,269 12/1989 Dyson .
- D. 309,203 7/1990 Goodrich .
- D. 316,167 4/1991 Petralia et al. .
- D. 343,707 1/1994 Dyson .
- 4,571,772 2/1986 Dyson .
- 4,593,429 6/1986 Dyson .
- 4,955,106 9/1990 Stein et al. .

1 Claim, 2 Drawing Sheets



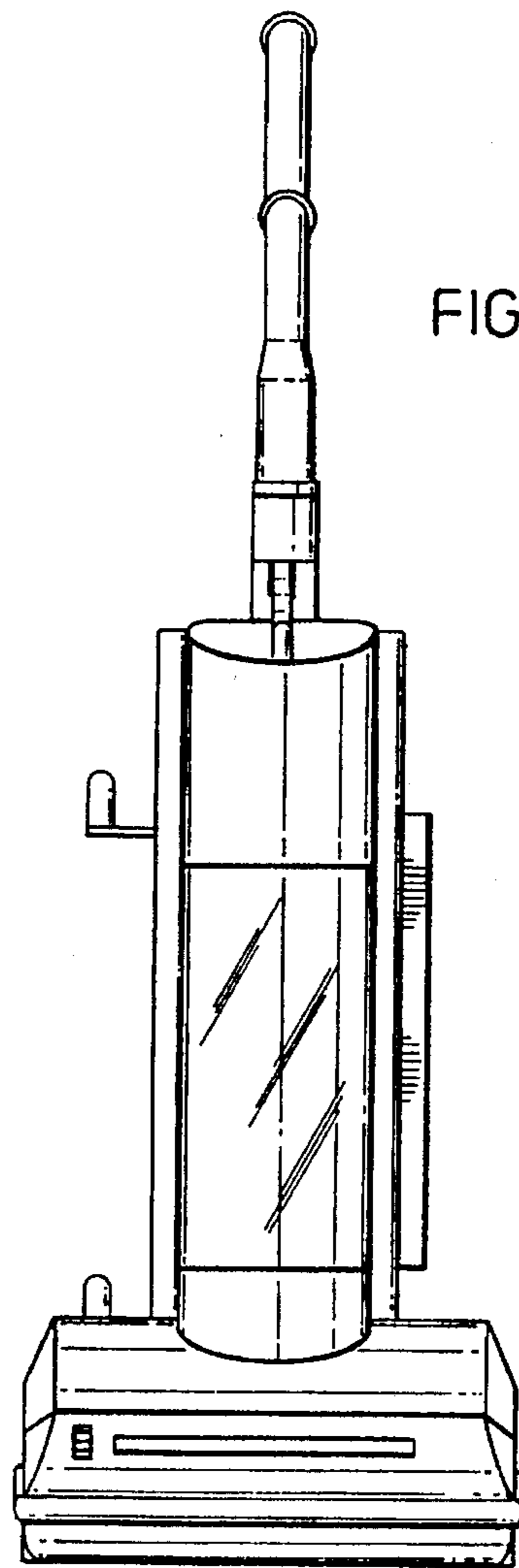
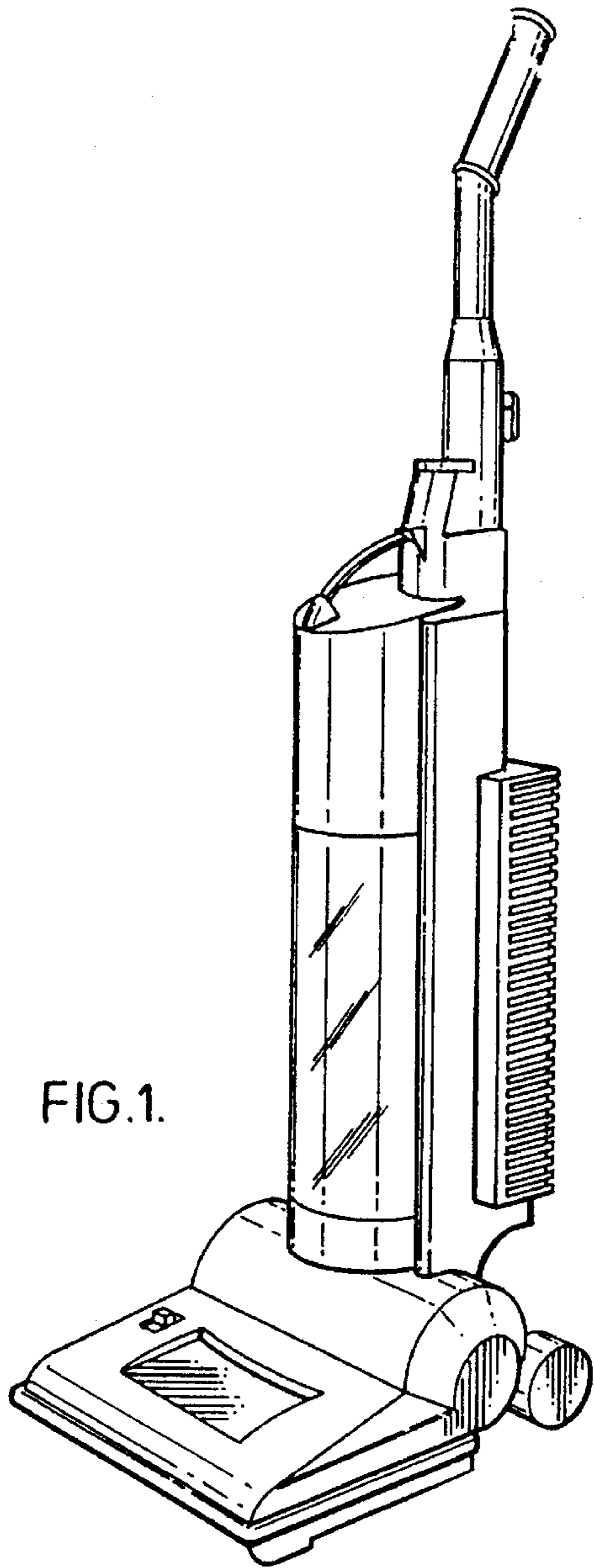
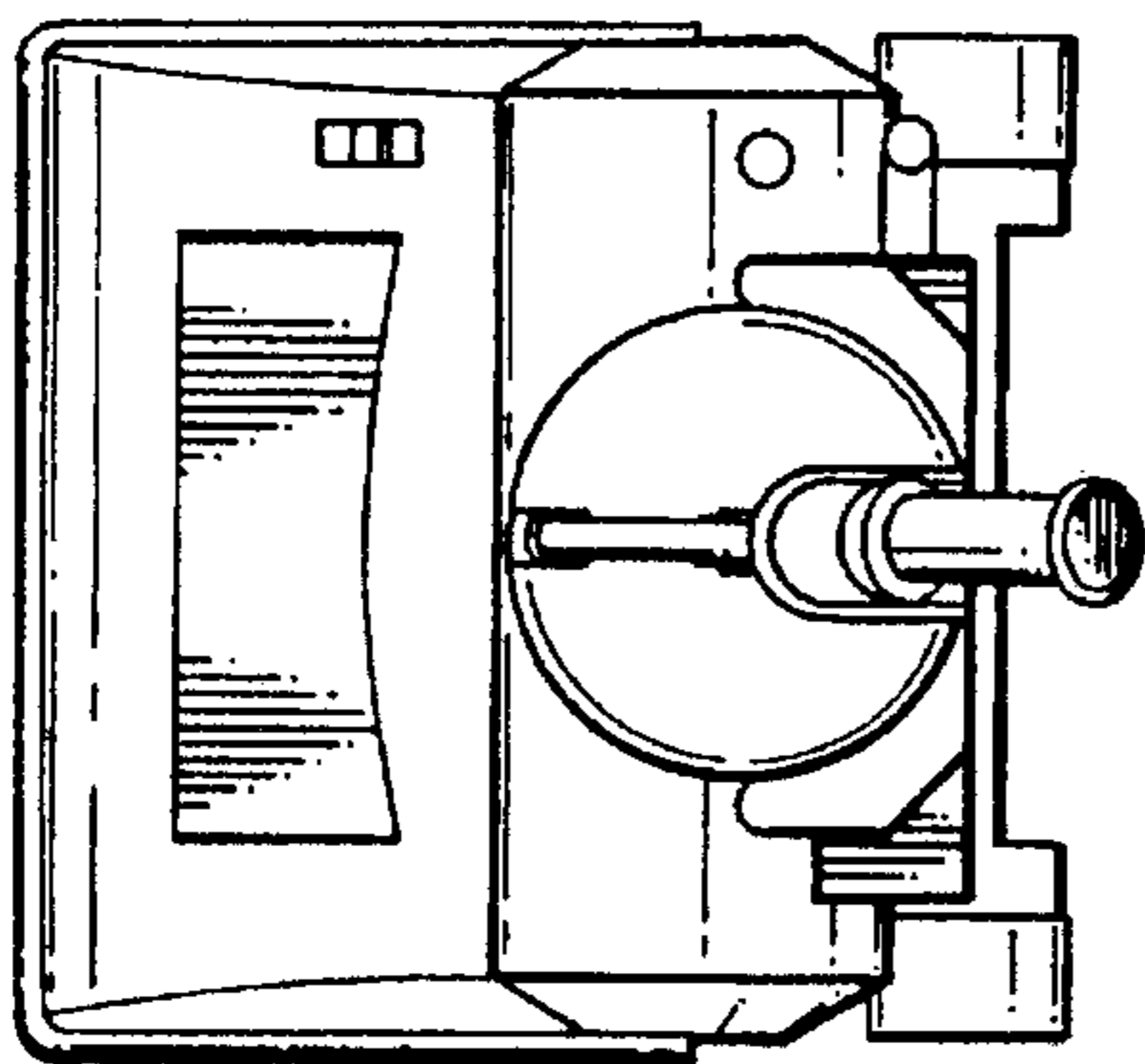


FIG. 1.

FIG. 2.

FIG. 3.



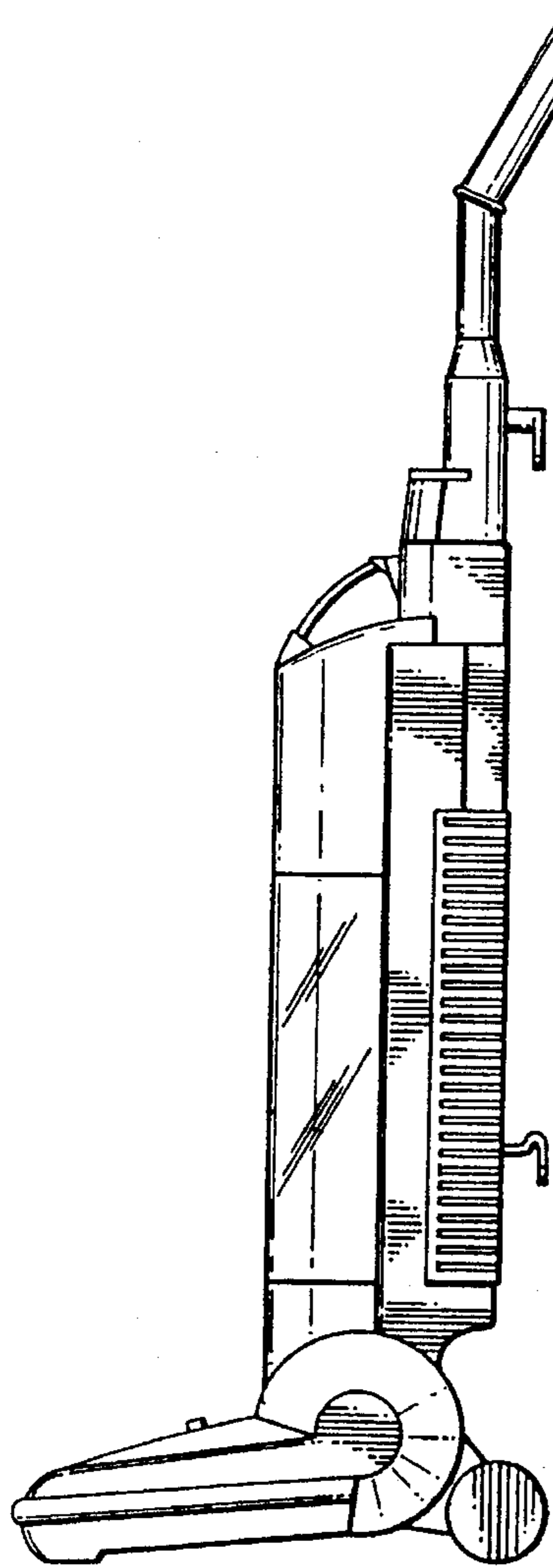


FIG. 4.

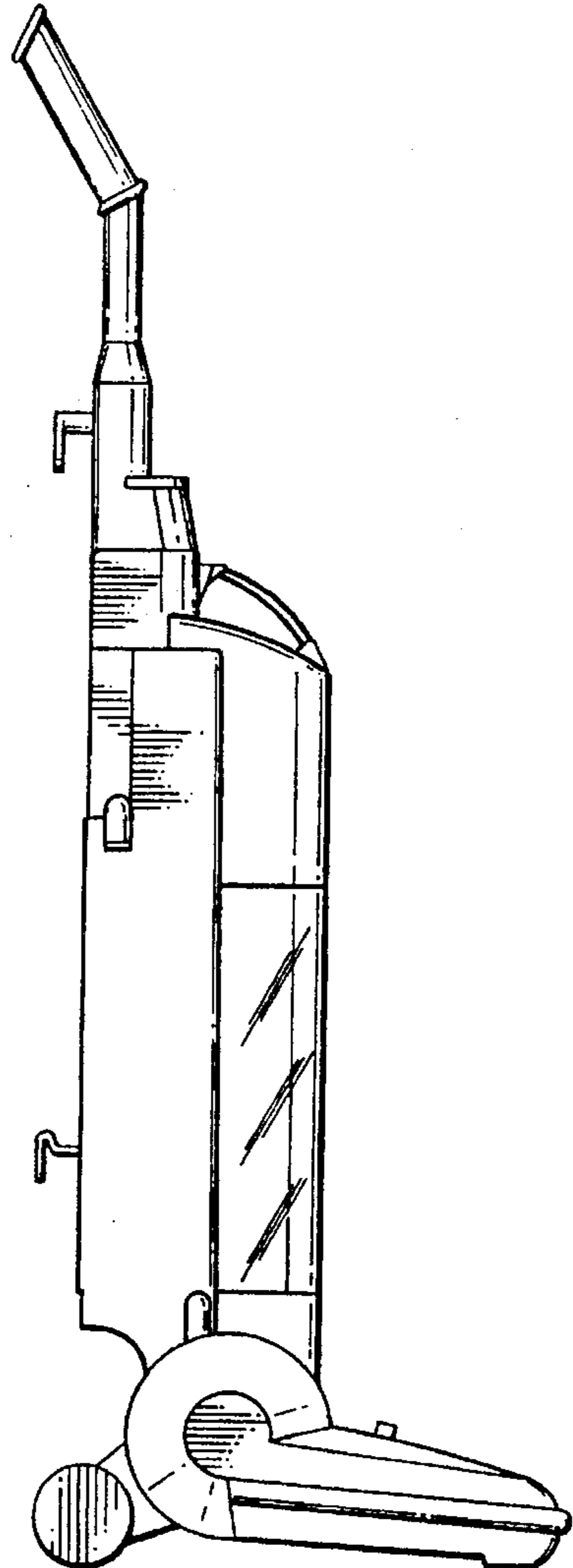


FIG. 5.

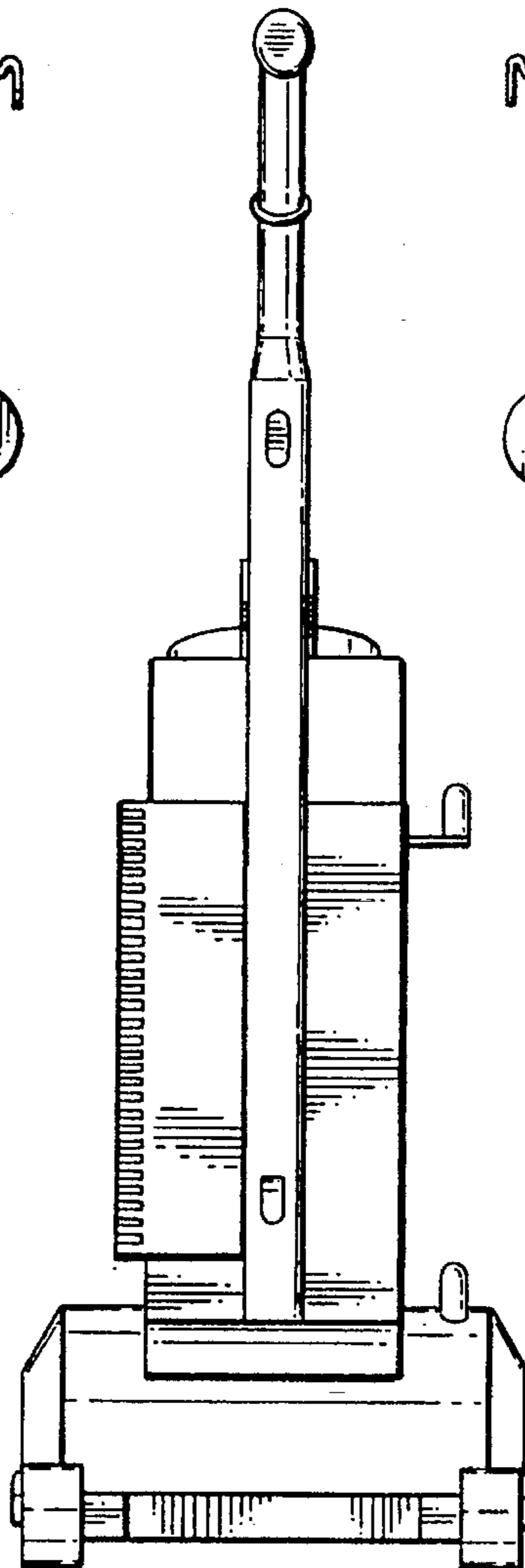


FIG. 6.

UNITED STATES PATENT AND TRADEMARK OFFICE
CERTIFICATE OF CORRECTION

PATENT NO. : Des. 375,820

DATED : Nov. 19, 1996

INVENTOR(S) : Francesco Piccaluga; Aldo Piccaluga and William Ng

It is certified that error appears in the above-identified patent and that said Letters Patent is hereby corrected as shown below:

Column 1, line 13, after "Jun. 27, 1995" insert --

[30] Foreign Application Priority Data

Jan. 11, 1995 [CA] Canada.....1995-0073--.

Signed and Sealed this
Eighth Day of April, 1997



BRUCE LEHMAN

Commissioner of Patents and Trademarks

Attest:

Attesting Officer