



US00D375817S

United States Patent [19]

Nicholson

[11] Patent Number: **Des. 375,817**

[45] Date of Patent: ****Nov. 19, 1996**

[54] **HAIR CLIP FOR HOLDING A SCARF IN A DECORATIVE MANNER**

5,398,705 3/1995 Hiltbrand et al. 132/275
5,441,061 8/1995 Jordan et al. 132/275

[76] Inventor: **Jacqueline S. Nicholson**, 1491 Wood
Thursh Way, Marietta, Ga. 30062

[**] Term: **14 Years**

[21] Appl. No.: **45,207**

[22] Filed: **Oct. 12, 1995**

Related U.S. Application Data

[62] Division of Ser. No. 30,600, Nov. 3, 1994.
[52] **U.S. Cl.** **D28/42**
[58] **Field of Search** **D28/39-43; 132/273,**
132/275-279

[56] References Cited

U.S. PATENT DOCUMENTS

D. 39,554 9/1908 Farrell D28/42
D. 357,092 4/1995 Young D28/43
1,480,935 1/1924 Gleason 132/278
4,912,944 4/1990 Crosley et al. 132/275 X
5,379,783 1/1995 Healzer et al. 132/279

OTHER PUBLICATIONS

"Hong Kong Enterprise" Oct. 1991, p. 470; fourth row from bottom item #3118/F31.

Primary Examiner—Ted Shooman
Assistant Examiner—C. Tuttle
Attorney, Agent, or Firm—Bernstein & Associates

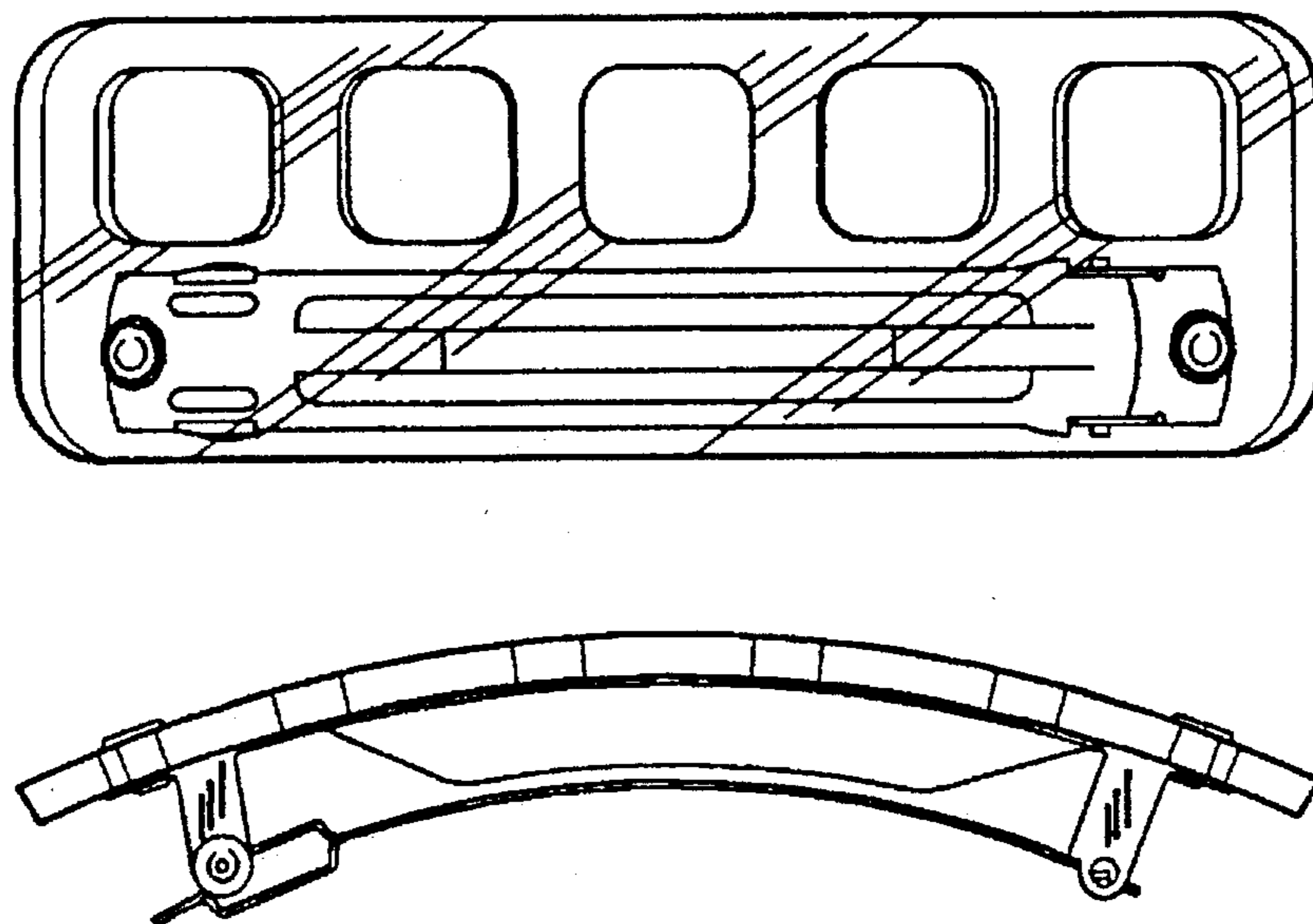
[57] CLAIM

The ornamental design for my hair clip for holding a scarf in a decorative manner, as shown and described.

DESCRIPTION

FIG. 1 is a front elevational view of a hair clip for holding a scarf showing my new design;
FIG. 2 is a top plan view, the side opposite being a mirror image of the side shown;
FIG. 3 is a right side elevation view thereof;
FIG. 4 is a rear side elevation view thereof; and,
FIG. 5 is a left side elevation view thereof.

1 Claim, 1 Drawing Sheet



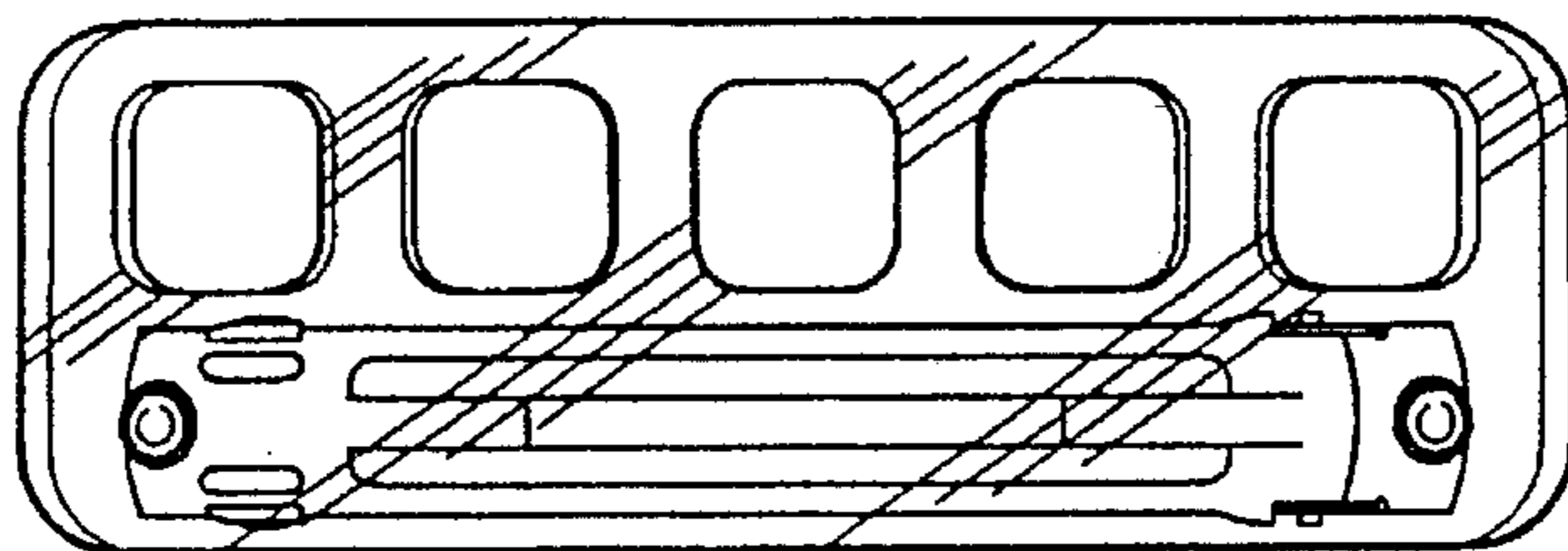


FIG. 1



FIG. 2

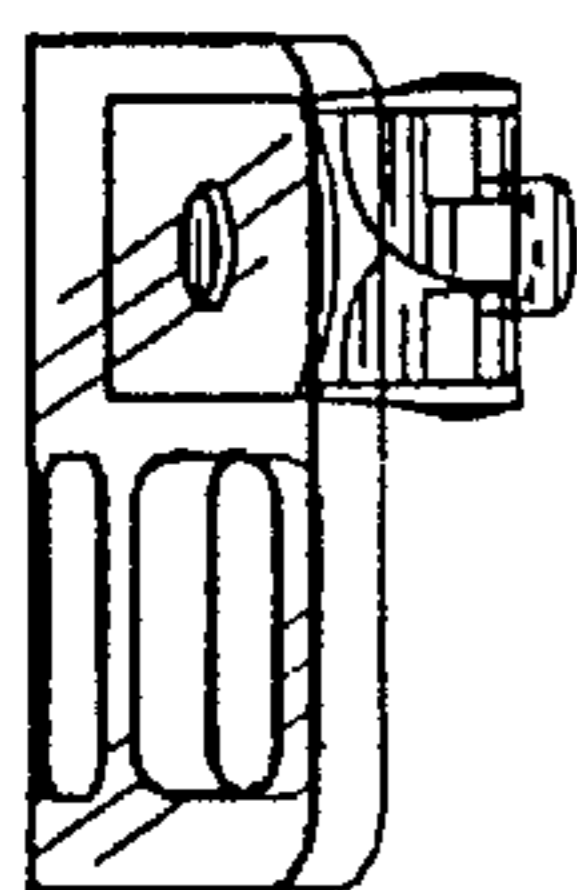


FIG. 3

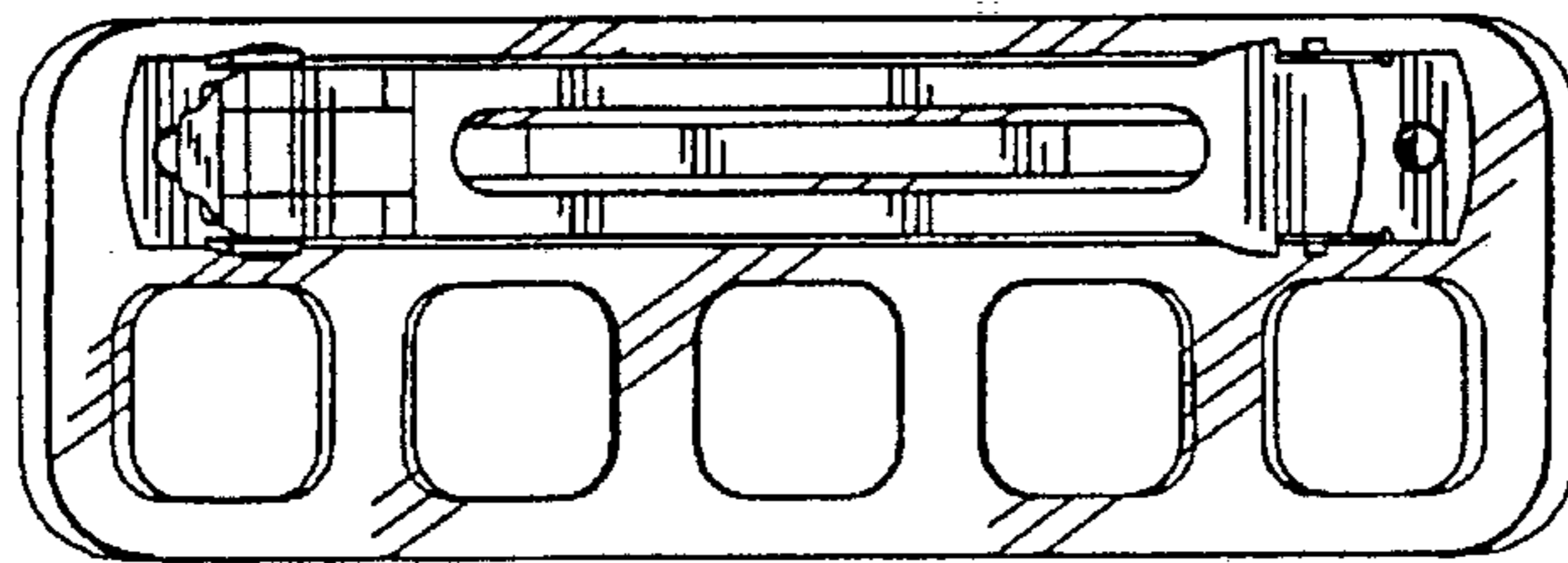


FIG. 4

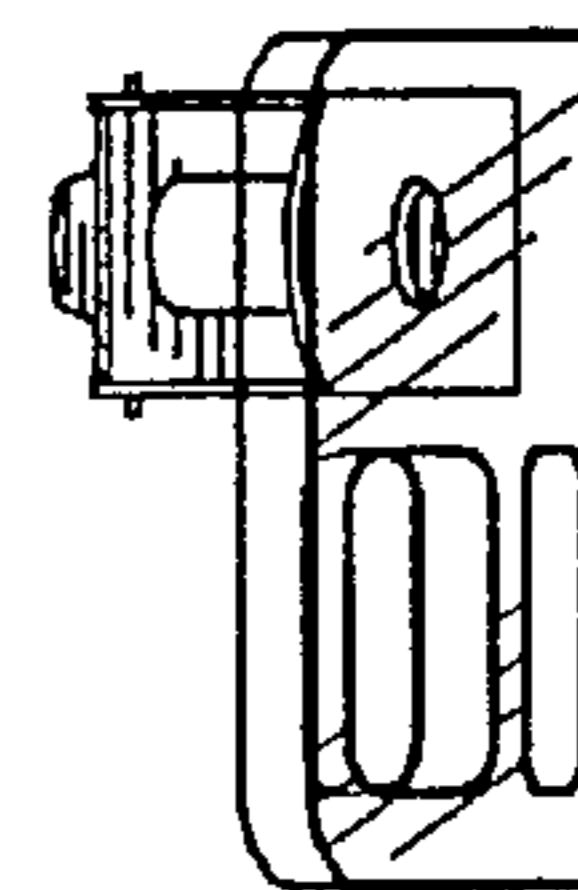


FIG. 5