



US00D375808S

United States Patent [19]

[11] Patent Number: **Des. 375,808**

Fang

[45] Date of Patent: ****Nov. 19, 1996**

[54] **ELECTRO LUMINESCENT NIGHT LIGHT**

Primary Examiner—Susan J. Lucas
Attorney, Agent, or Firm—Morton J. Rosenberg; David I. Klein

[76] Inventor: **Chung-Ho Fang**, No. 41, Shin Le Road, Tainan City, Taiwan

[**] Term: **14 Years**

[57] **CLAIM**

[21] Appl. No.: **47,891**

The ornamental design for an electro luminescent night light, as shown and described.

[22] Filed: **Dec. 14, 1995**

DESCRIPTION

[52] U.S. Cl. **D26/26; D26/72**

[58] Field of Search **D26/72, 80-92, D26/26, 37, 39, 118; 362/226, 147, 432**

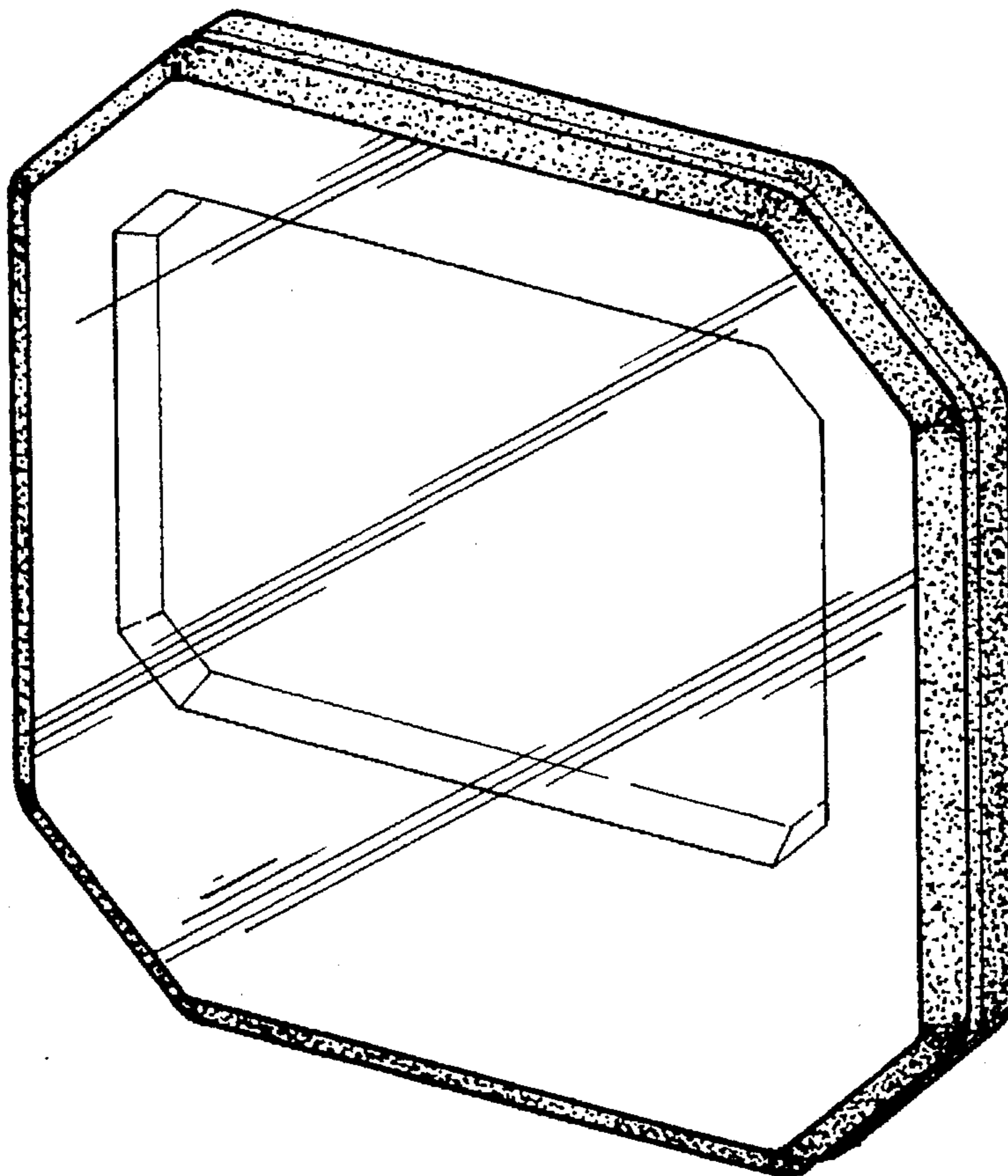
FIG. 1 is a perspective view of an electro luminescent night light showing my present design;
FIG. 2 is a front view thereof;
FIG. 3 is a rear view thereof;
FIG. 4 is a left view thereof;
FIG. 5 is a right view thereof;
FIG. 6 is a top plan view thereof; and,
FIG. 7 is a bottom plan view.

[56] **References Cited**

U.S. PATENT DOCUMENTS

| | | | | |
|------------|---------|-----------|-------|-----------|
| D. 252,832 | 9/1979 | Bowser | | D26/85 |
| D. 352,564 | 11/1994 | Marischen | | D26/26 |
| 3,061,716 | 10/1962 | Benander | | 362/226 |
| 4,549,250 | 10/1985 | Spector | | 362/226 X |

1 Claim, 4 Drawing Sheets



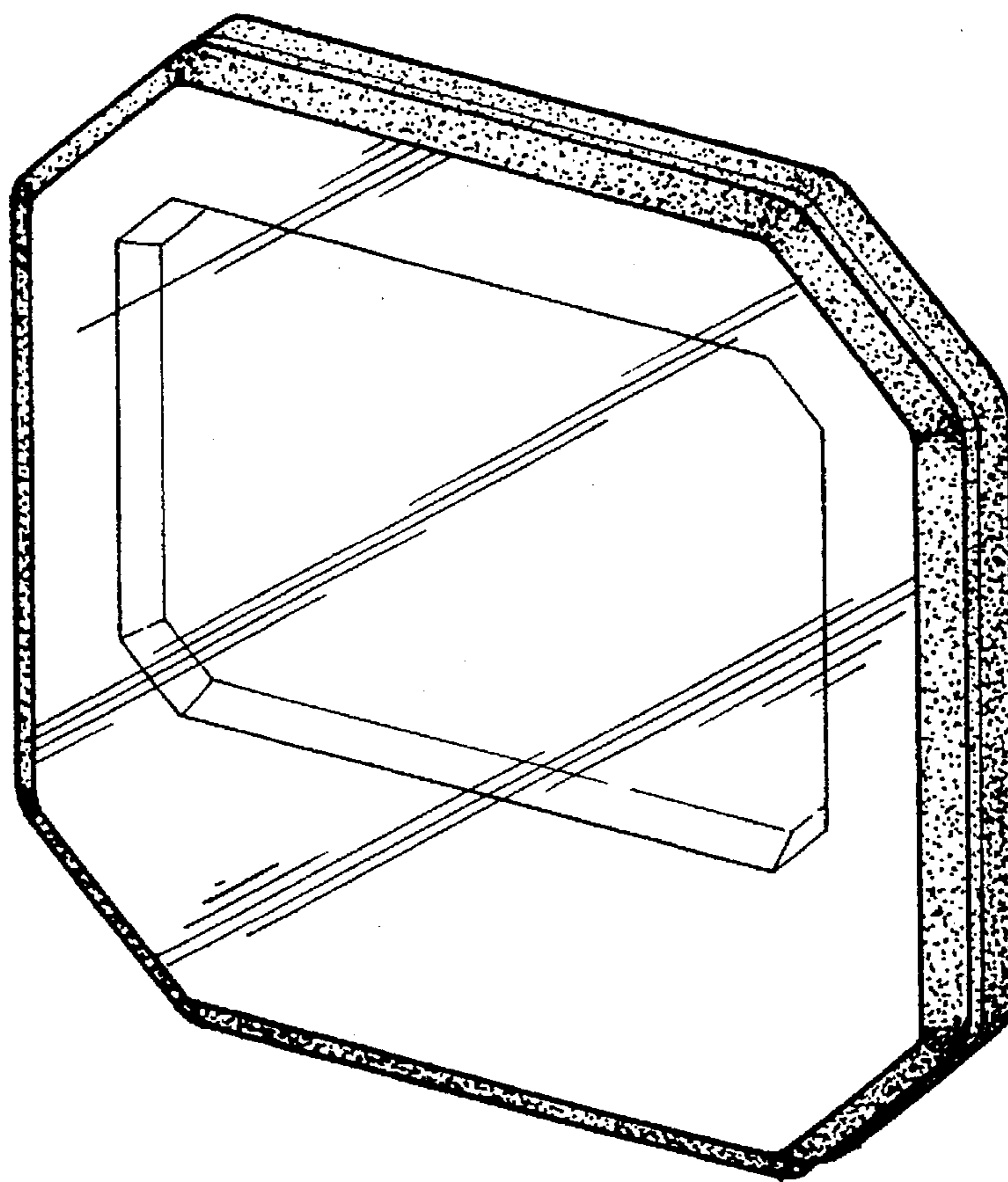


FIG. 1

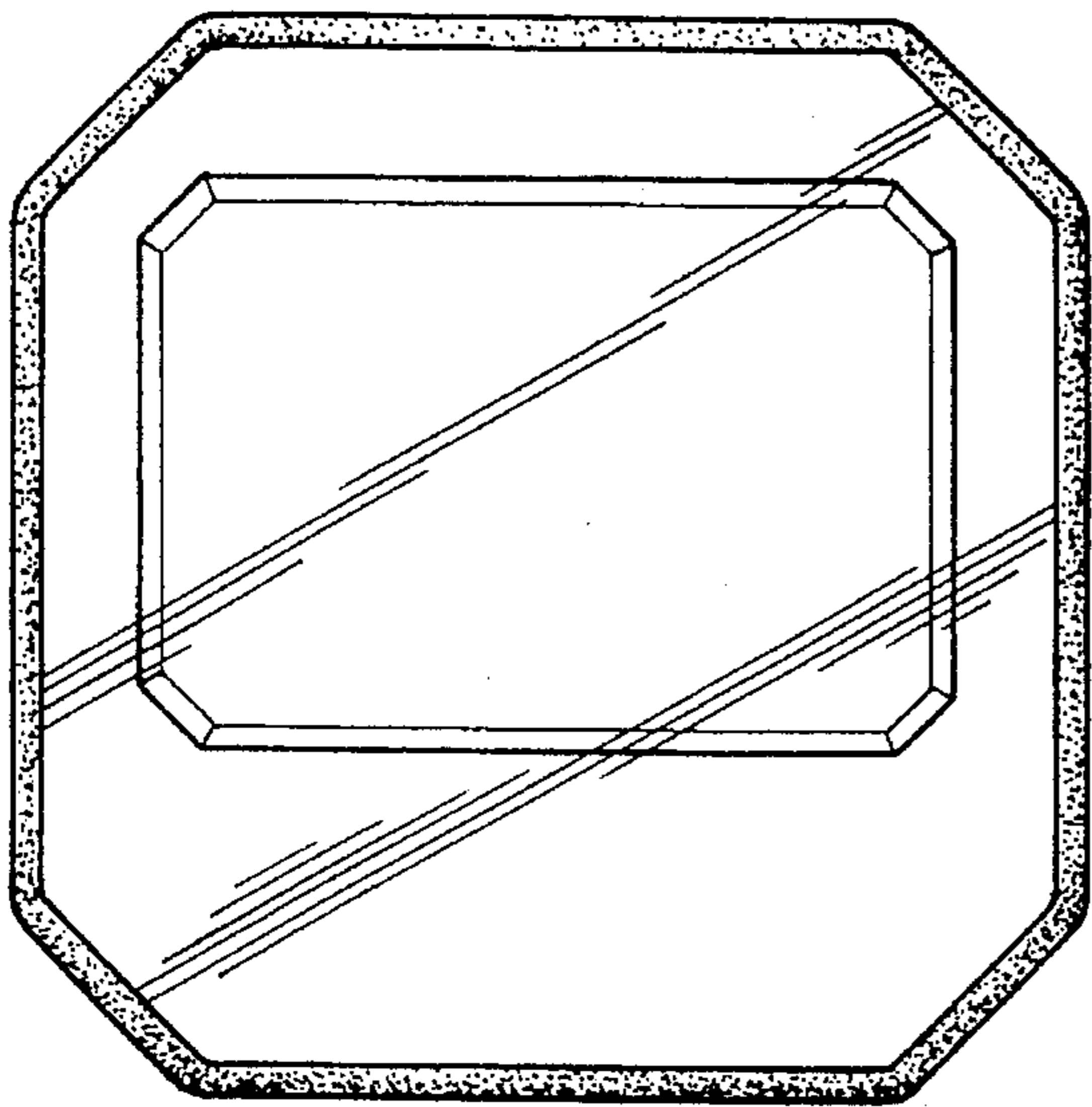


FIG. 2

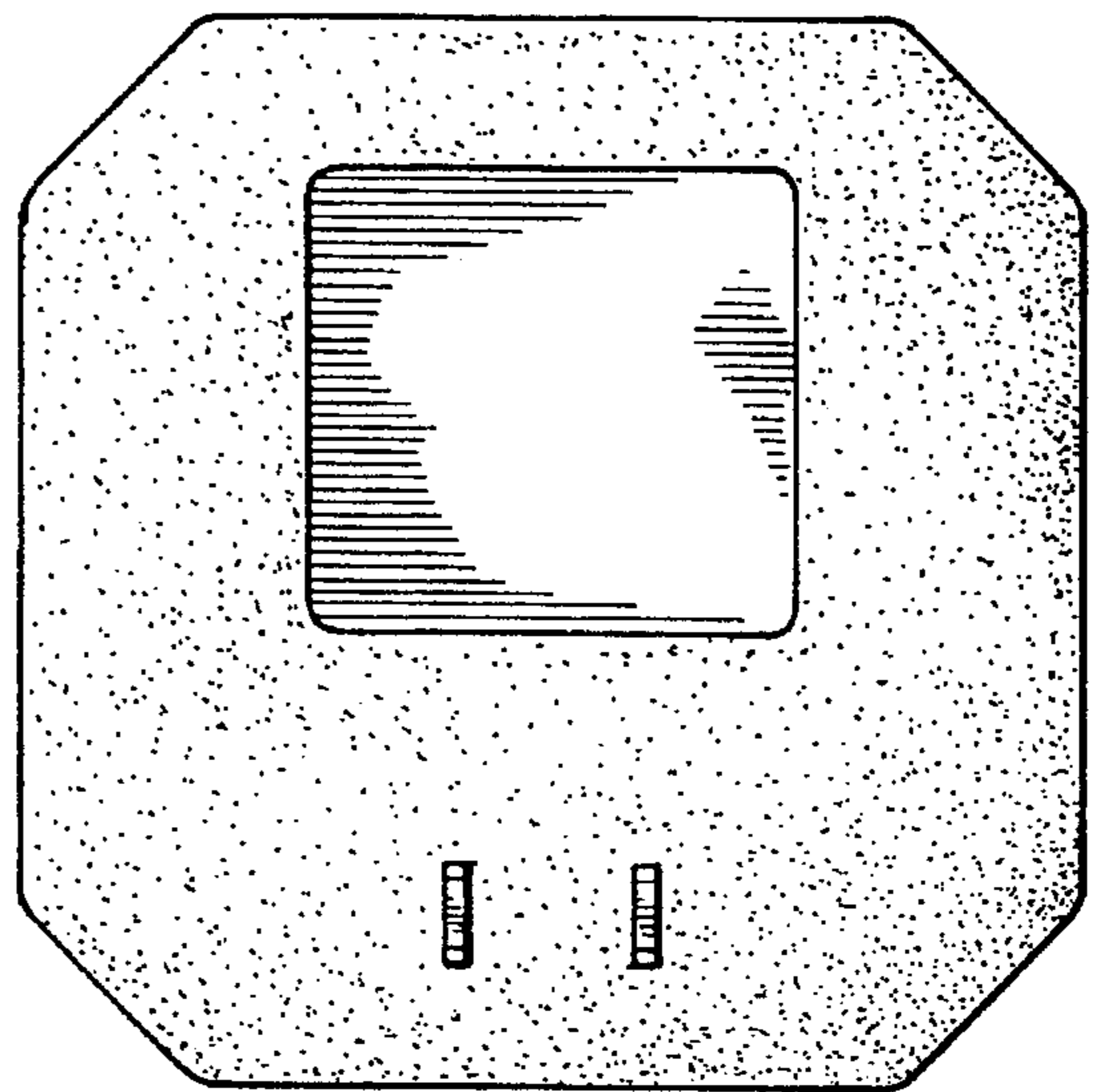


FIG. 3

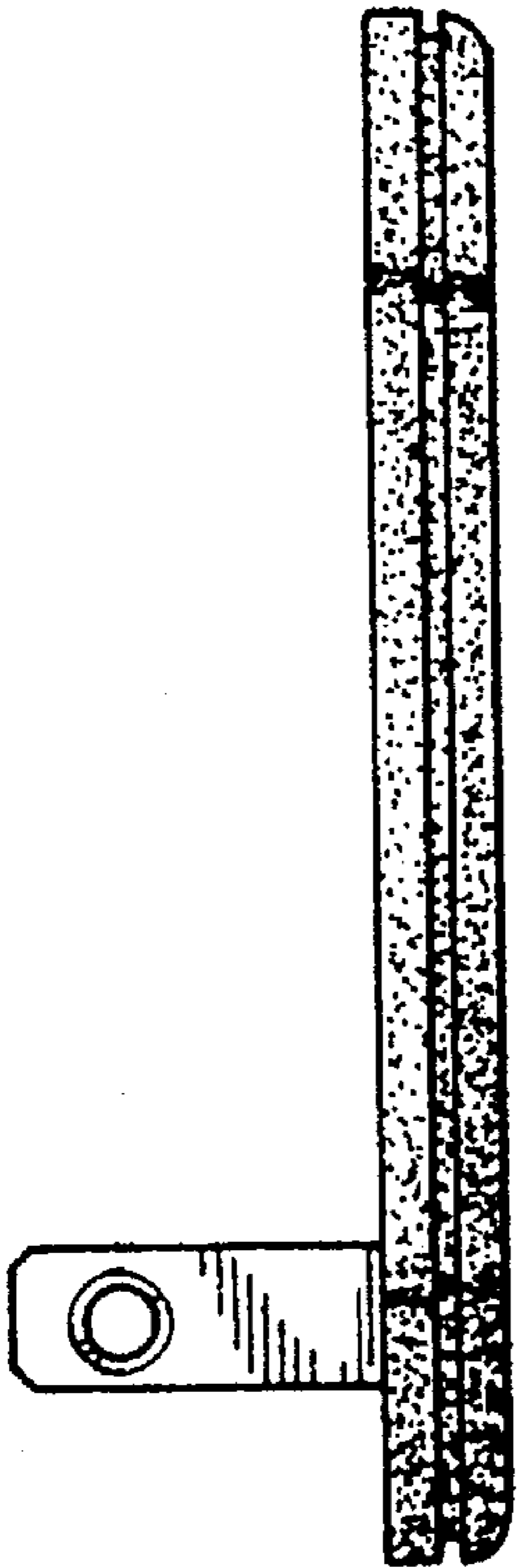


FIG. 4

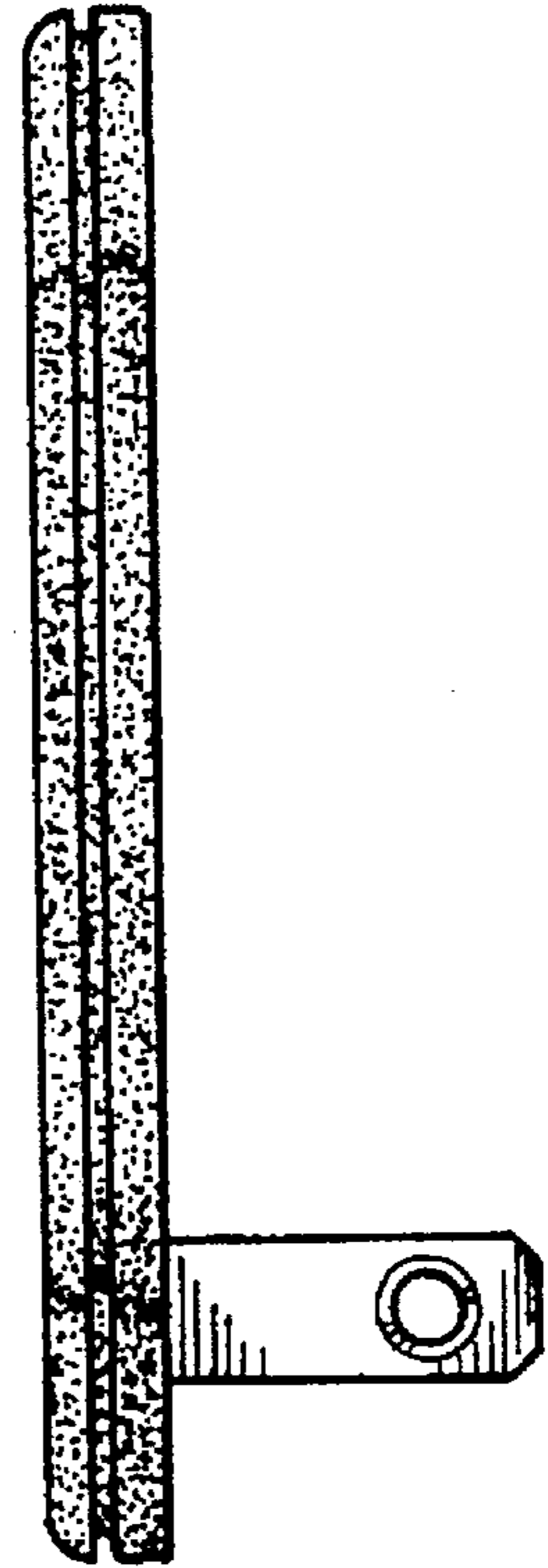


FIG. 5

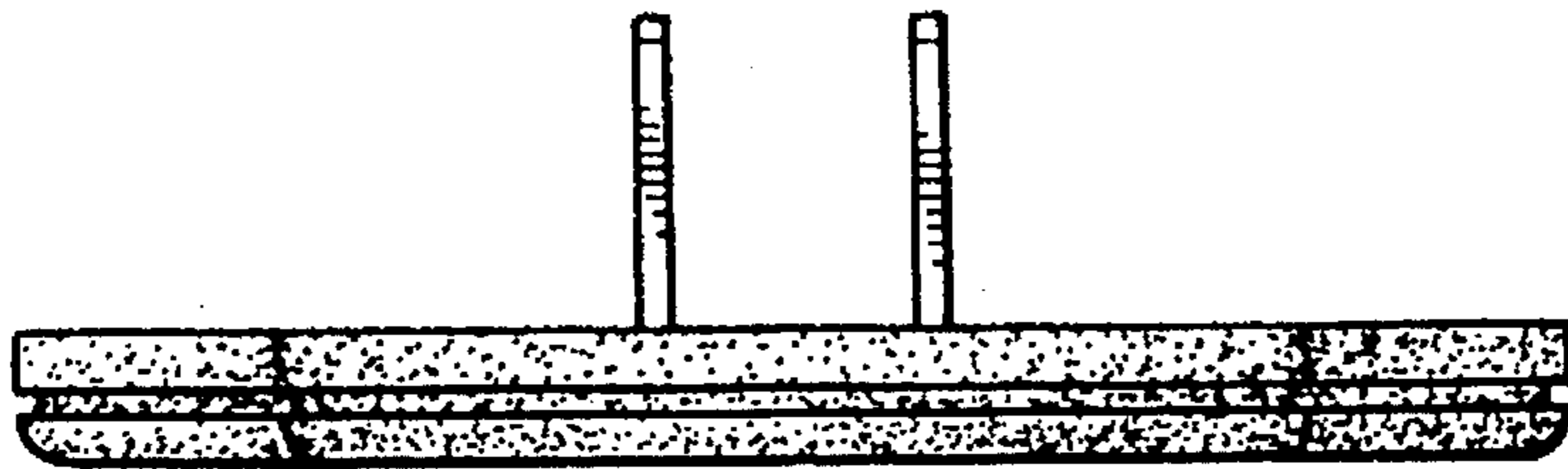


FIG. 6

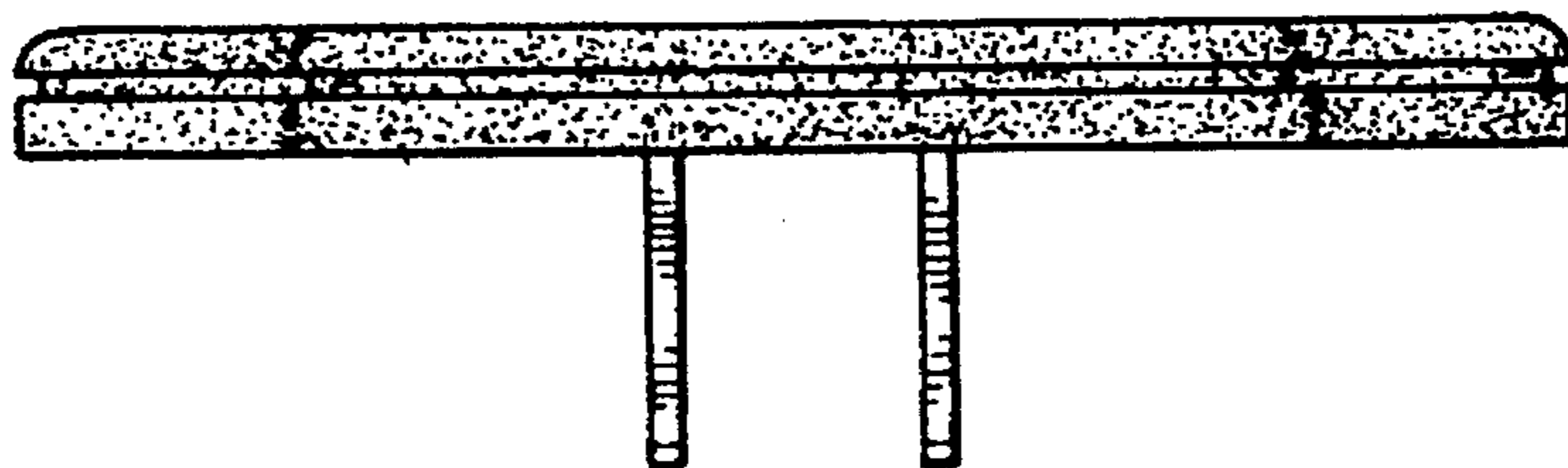


FIG. 7