



US00D375807S

# United States Patent [19]

Goss

[11] Patent Number: **Des. 375,807**

[45] Date of Patent: **\*\*Nov. 19, 1996**

## [54] WINDOW COMPONENT EXTRUSION

[75] Inventor: **Lorane Goss**, Slippery Rock, Pa.

[73] Assignee: **Mikron Industries, Inc.**, Kent, Wash.

[\*\*] Term: **14 Years**

[21] Appl. No.: **46,771**

[22] Filed: **Nov. 14, 1995**

[52] U.S. Cl. .... **D25/124**

[58] Field of Search ..... **D25/52, 122-125; 52/204.5, 730.3, 730.4, 730.5; 49/504, 505, DIG. 2**

## [56] References Cited

### U.S. PATENT DOCUMENTS

D. 300,370	3/1989	Reisinger et al. ....	D25/124
4,831,781	5/1989	Morton .....	49/DIG. 2

## OTHER PUBLICATIONS

Mikron Industries Design No. 7026, Inventor: Jeffrey Fran-son Aug. 5, 1994.

*Primary Examiner*—Doris Clark  
*Attorney, Agent, or Firm*—Richardson & Folise

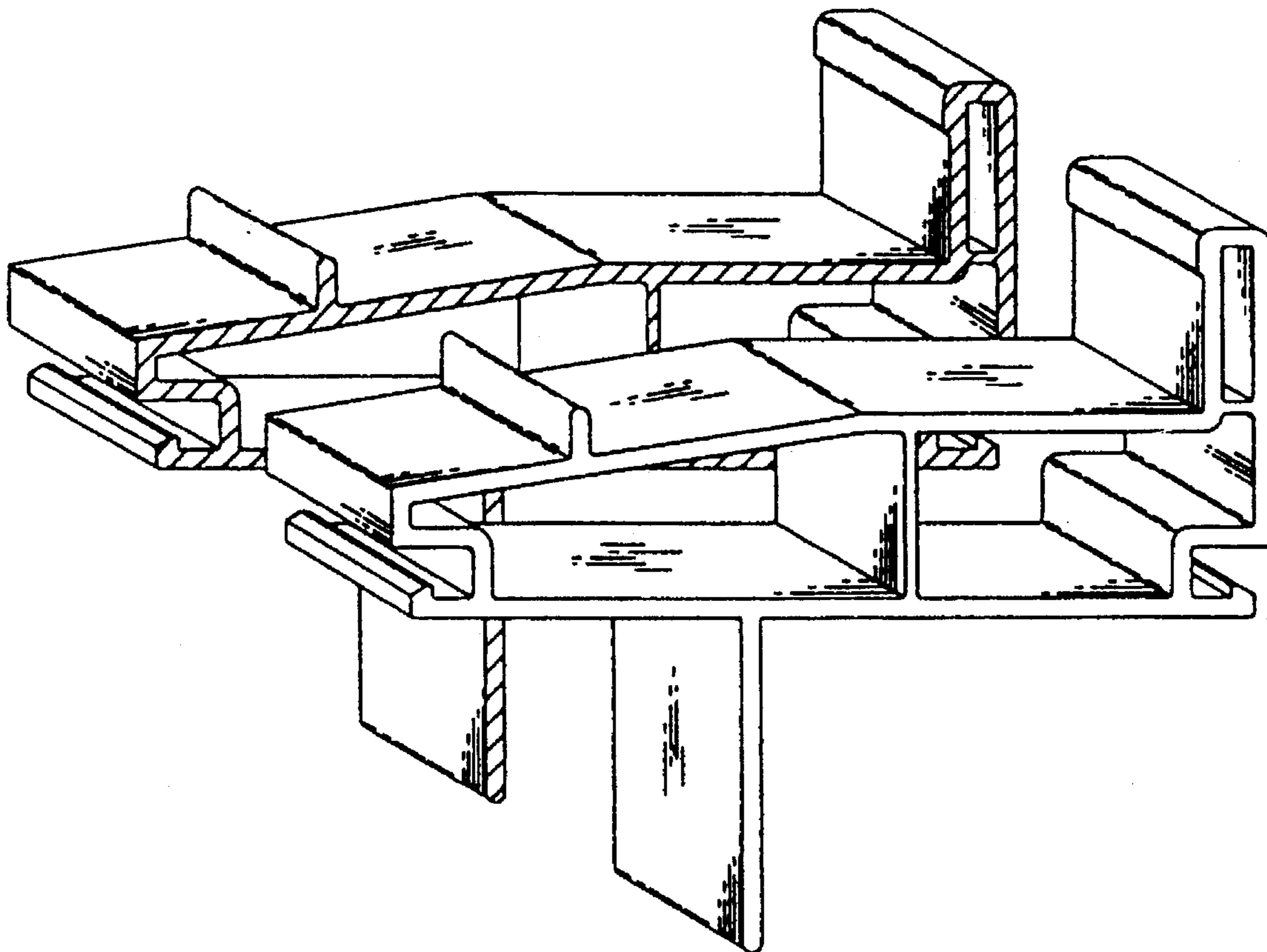
## [57] CLAIM

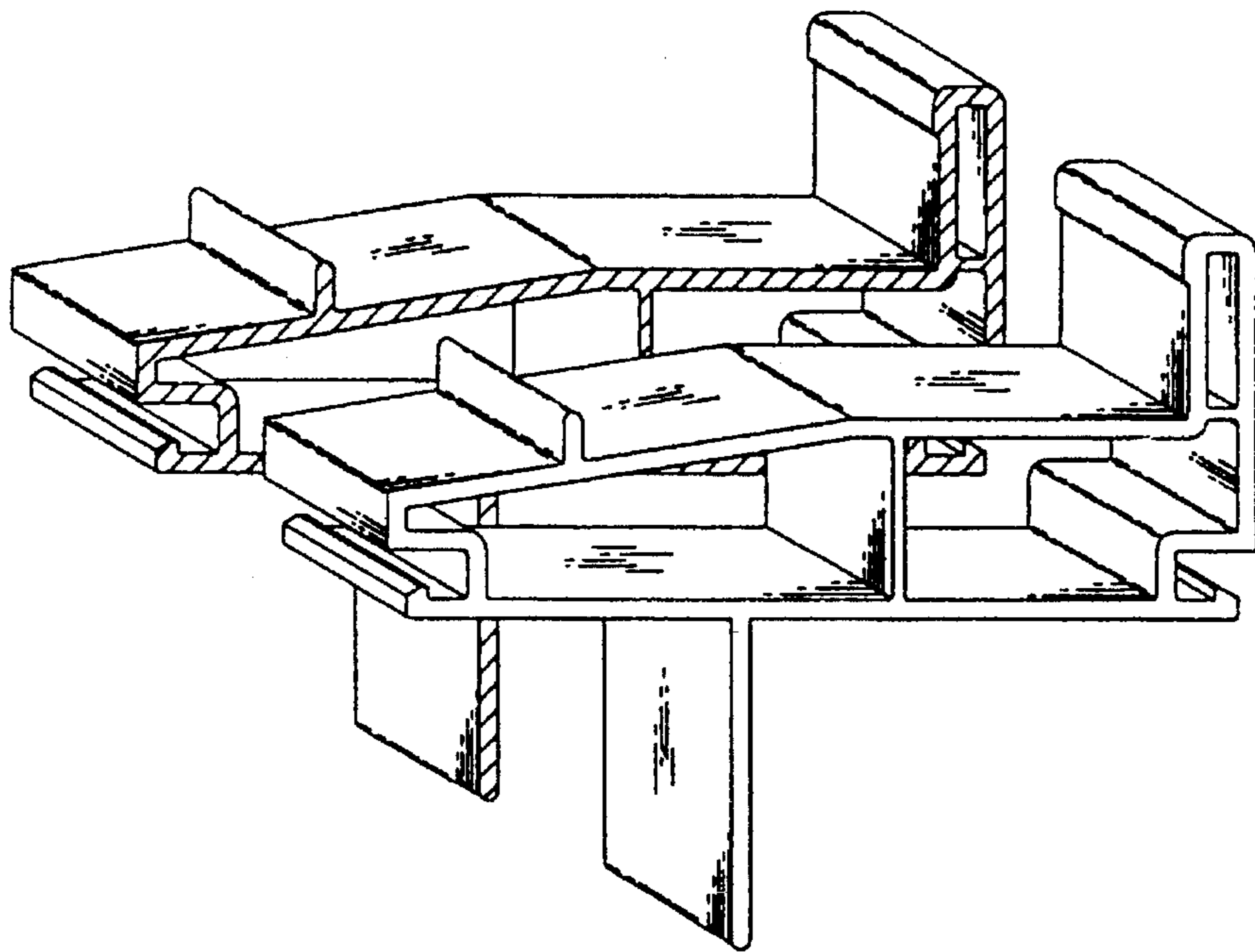
The ornamental design for a window component extrusion, as shown and described.

## DESCRIPTION

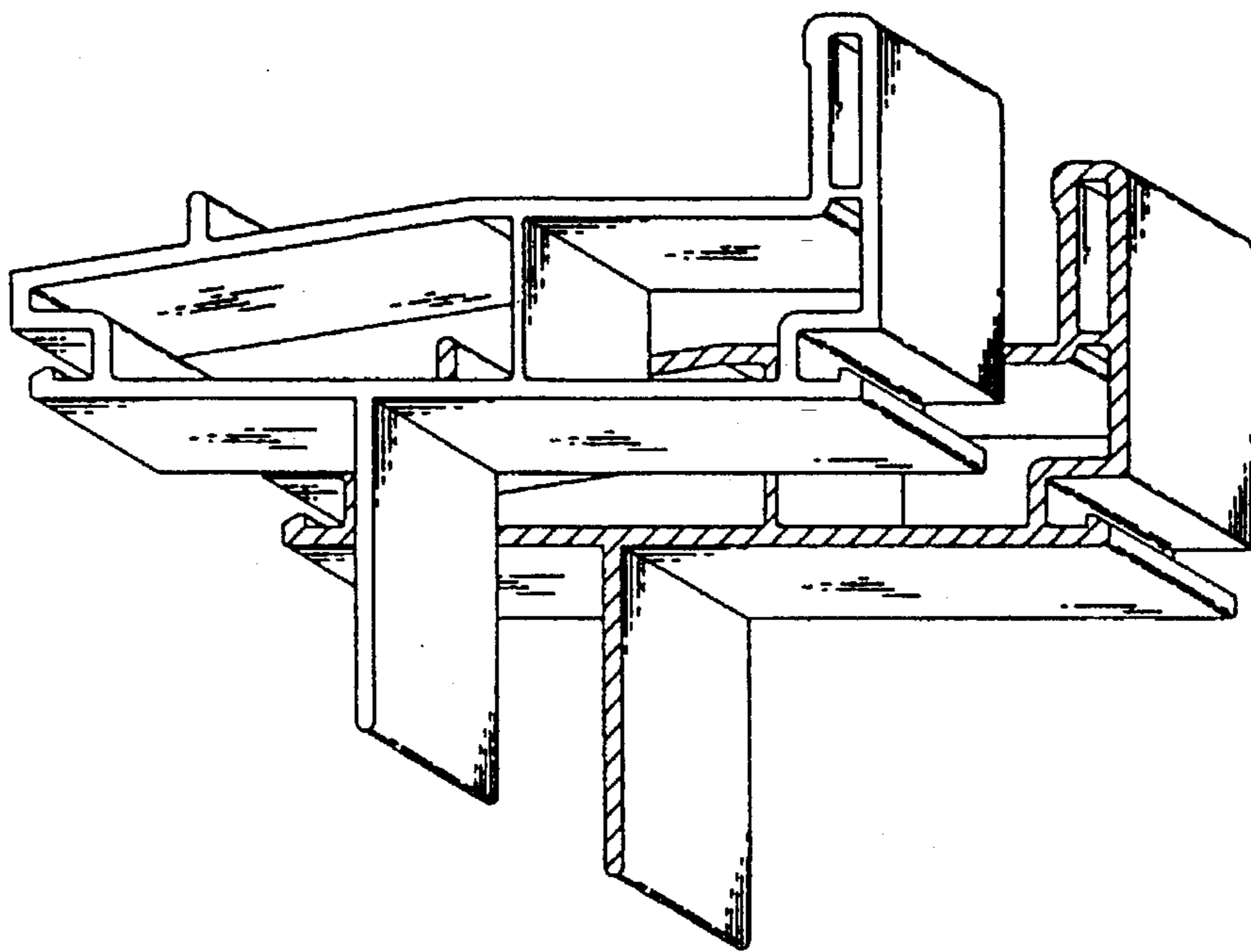
FIG. 1 is a top right perspective view of the window component extrusion which is broken in the center indicating indefinite length; and, FIG. 2 is a bottom left perspective view of the window component extrusion shown in FIG. 1.

**1 Claim, 1 Drawing Sheet**





*FIG. 1*



*FIG. 2*