



US00D375797S

United States Patent [19]
Lin

[11] **Patent Number: Des. 375,797**
[45] **Date of Patent: **Nov. 19, 1996**

[54] **MASSAGING TOOL**

[76] **Inventor: Kenny Lin**, 7F, No.11, Lane 93,
Tai-Lin Rd., Sec. 2, Tai-Shan Hsiang,
Taipei Hsien, Taiwan

[**] **Term: 14 Years**

[21] **Appl. No.: 49,810**

[22] **Filed: Jan. 31, 1996**

[52] **U.S. Cl. D24/213; D24/215**

[58] **Field of Search D24/215, 213,
D24/200; 601/15, 64, 66, 118, 121, 158**

[56] **References Cited**

U.S. PATENT DOCUMENTS

D. 287,405	12/1986	Nakao et al.	D24/213
D. 345,804	4/1994	Chin-Chi	D24/213
D. 346,030	4/1994	Tsai	D24/213

Primary Examiner—Stella Reid
Attorney, Agent, or Firm—Beveridge, DeGrandi, Weilacher
& Young, LLP

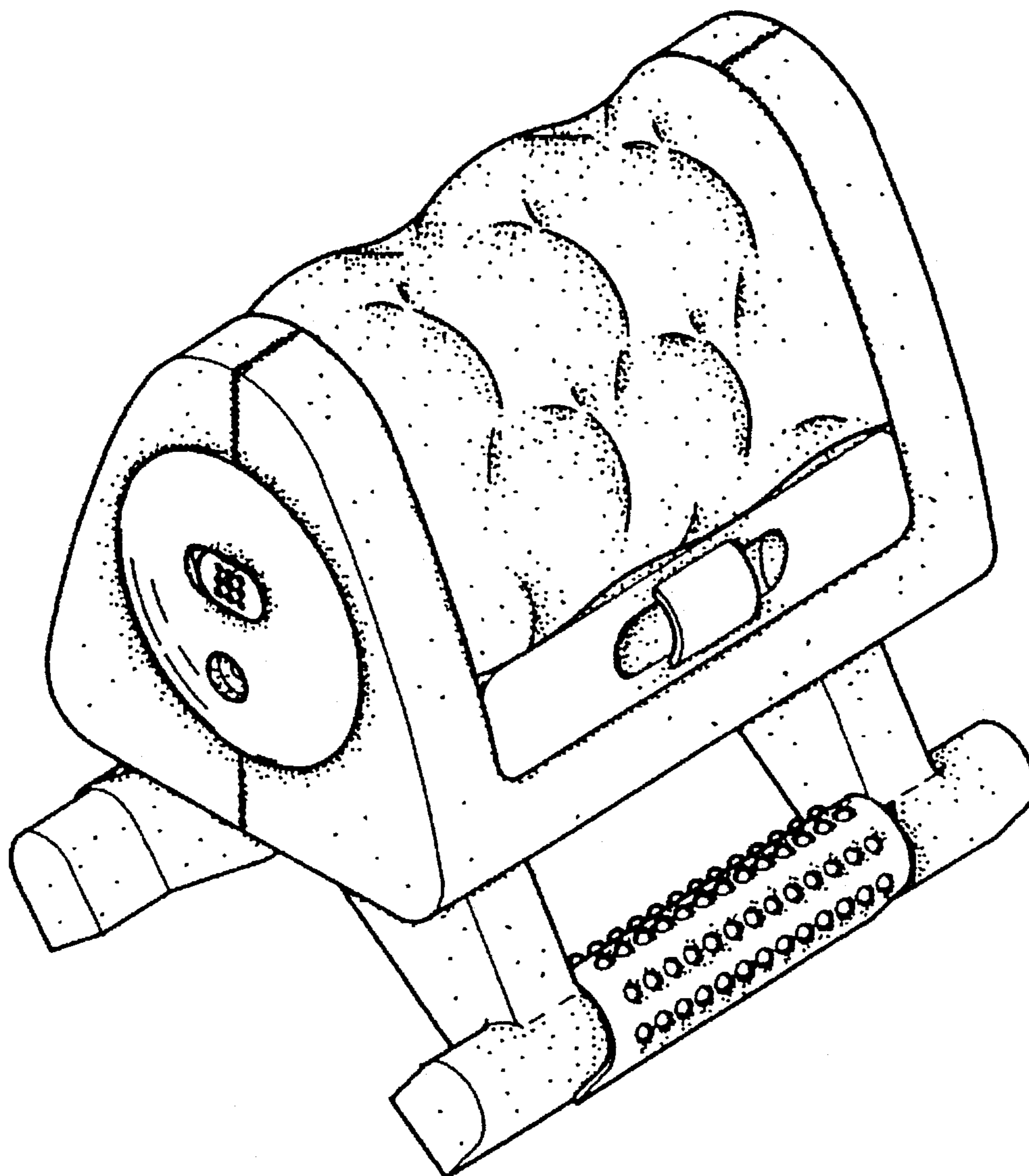
[57] **CLAIM**

The ornamental design for a massaging tool, as shown and described.

DESCRIPTION

FIG. 1 is the perspective view of a massaging tool showing my new design;
FIG. 2 is the front elevational view thereof;
FIG. 3 is the rear elevational view thereof;
FIG. 4 is the left side elevational view thereof;
FIG. 5 is the right side elevational view thereof;
FIG. 6 is the top plan view thereof; and,
FIG. 7 is the bottom plan view thereof.

1 Claim, 7 Drawing Sheets



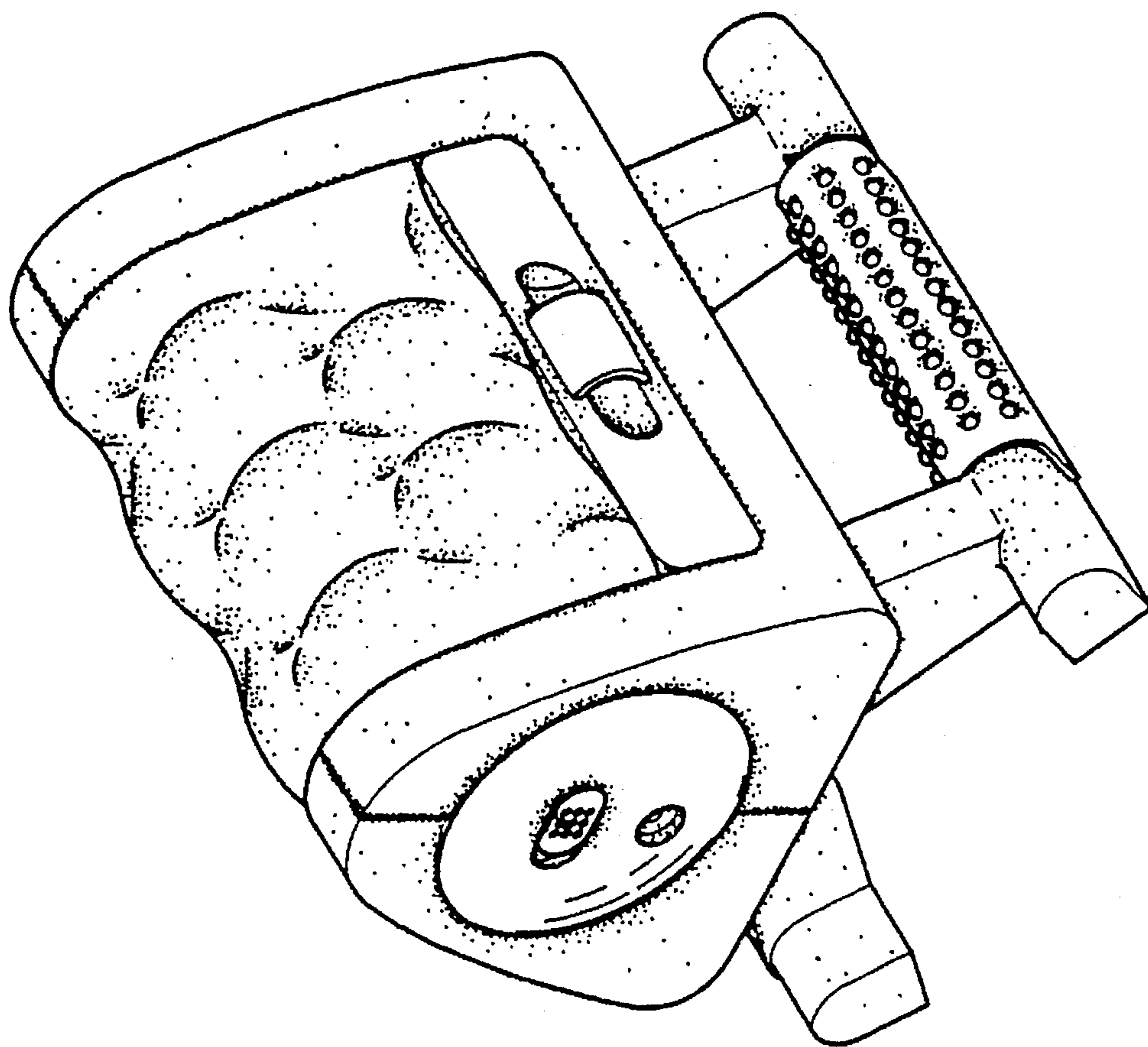


FIG. 1

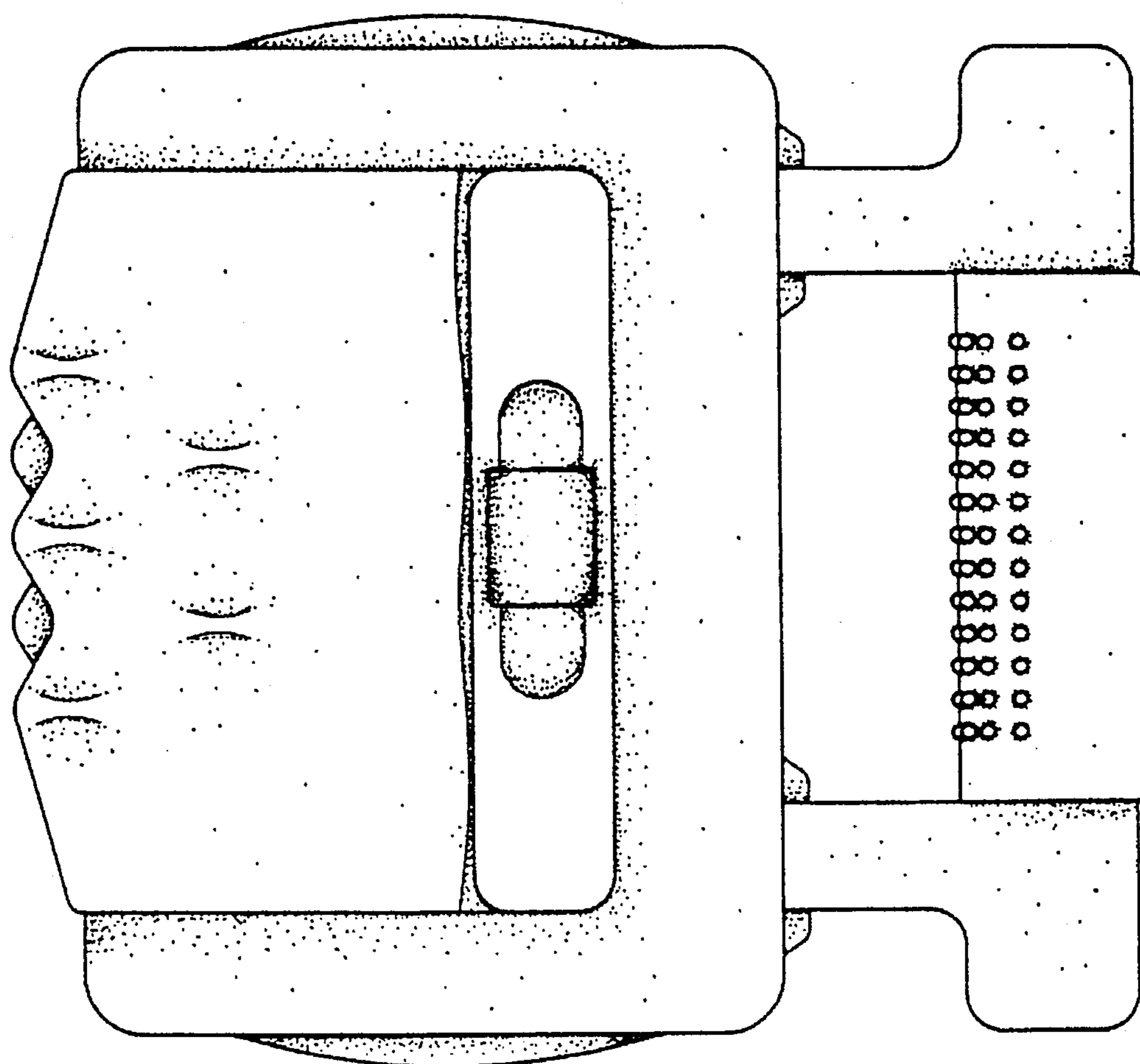


FIG. 2

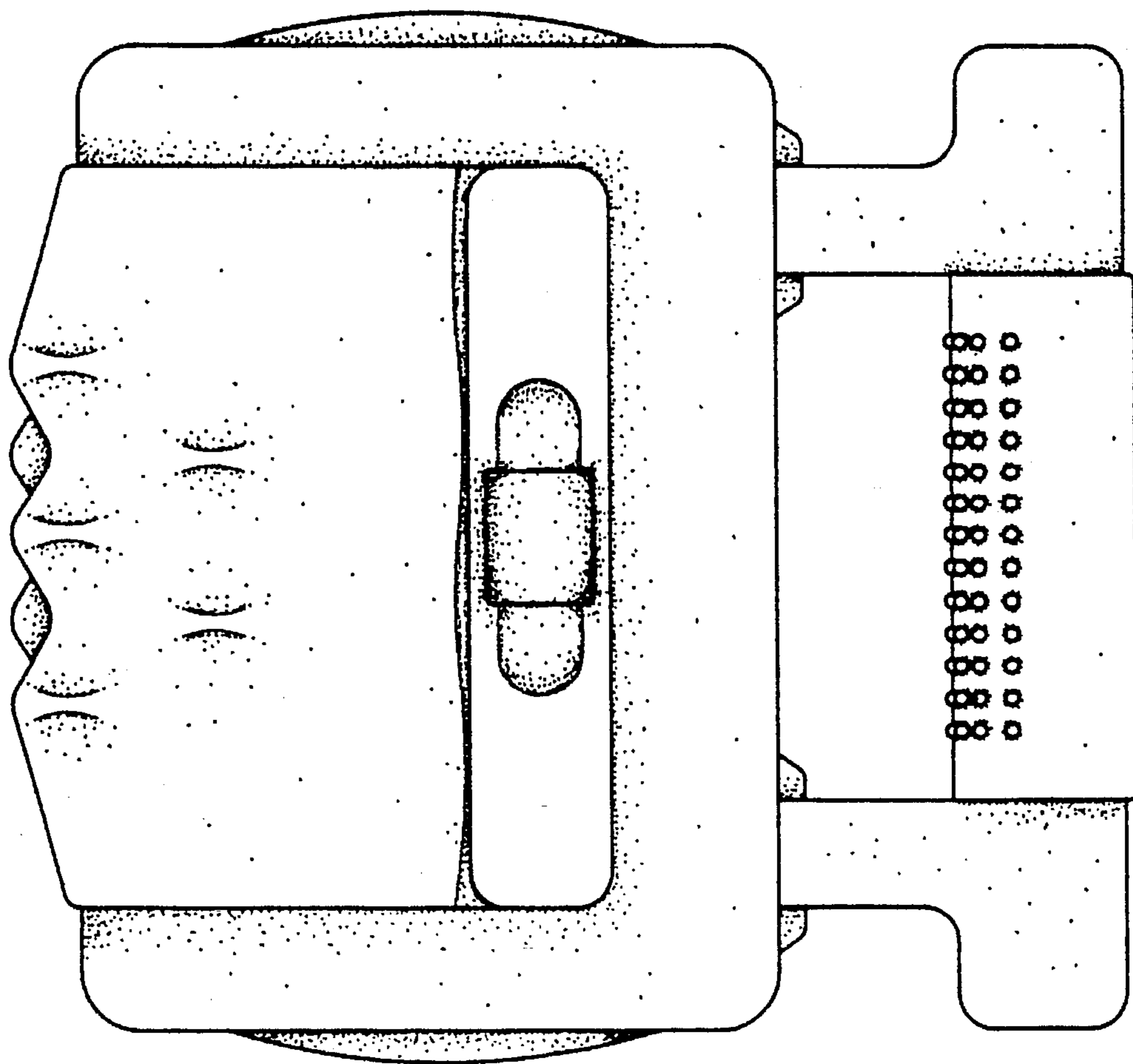


FIG. 3

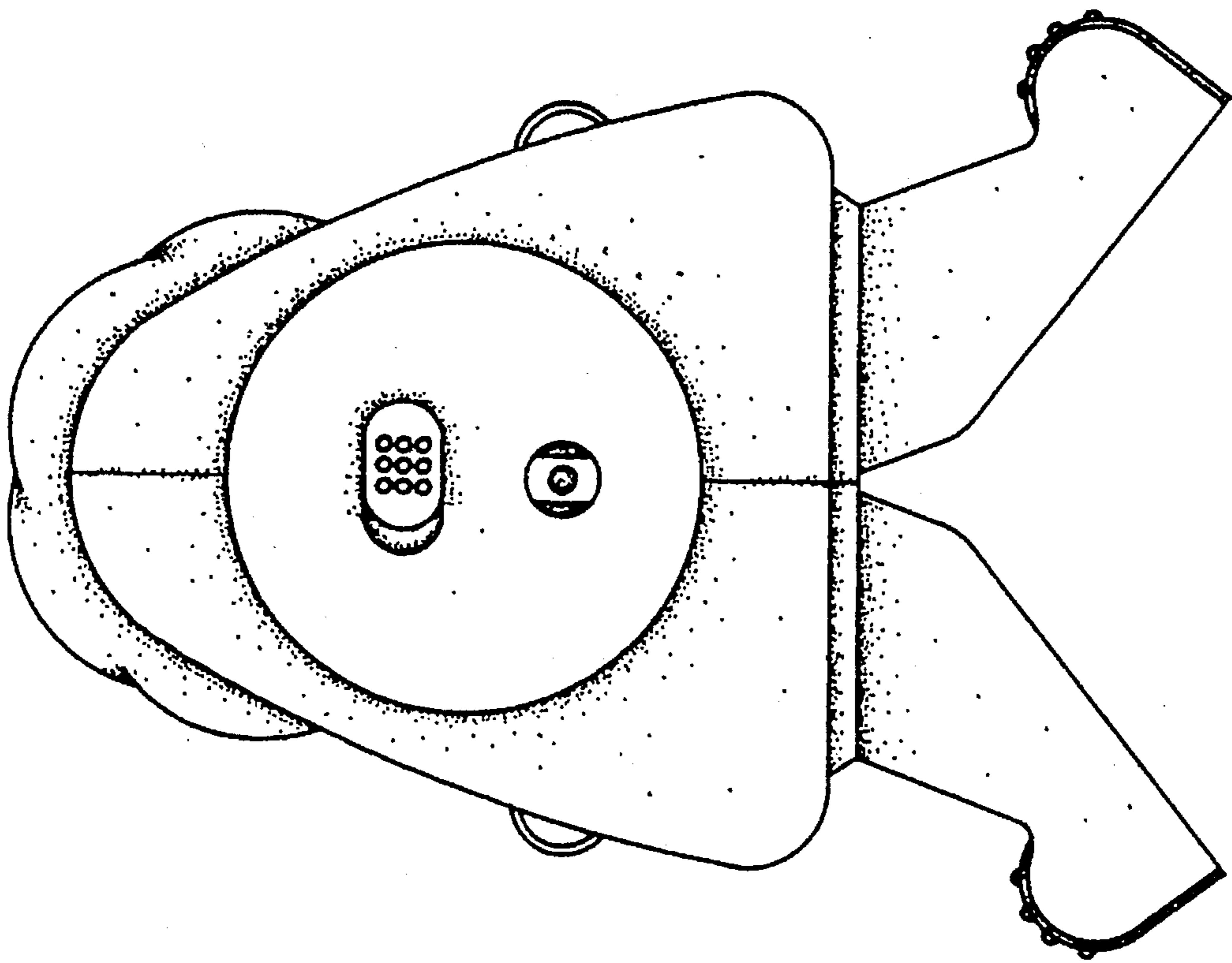


FIG. 4

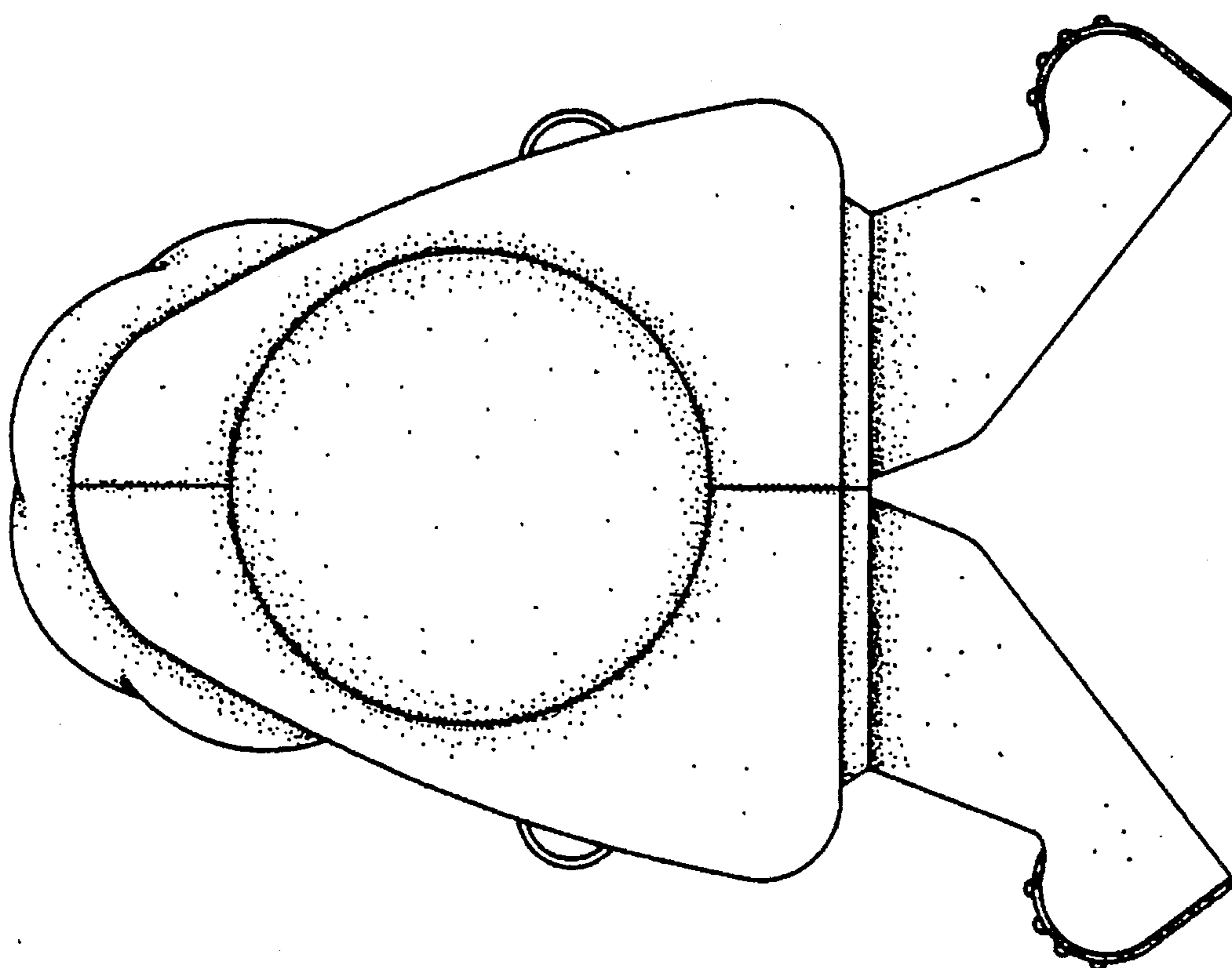


FIG. 5

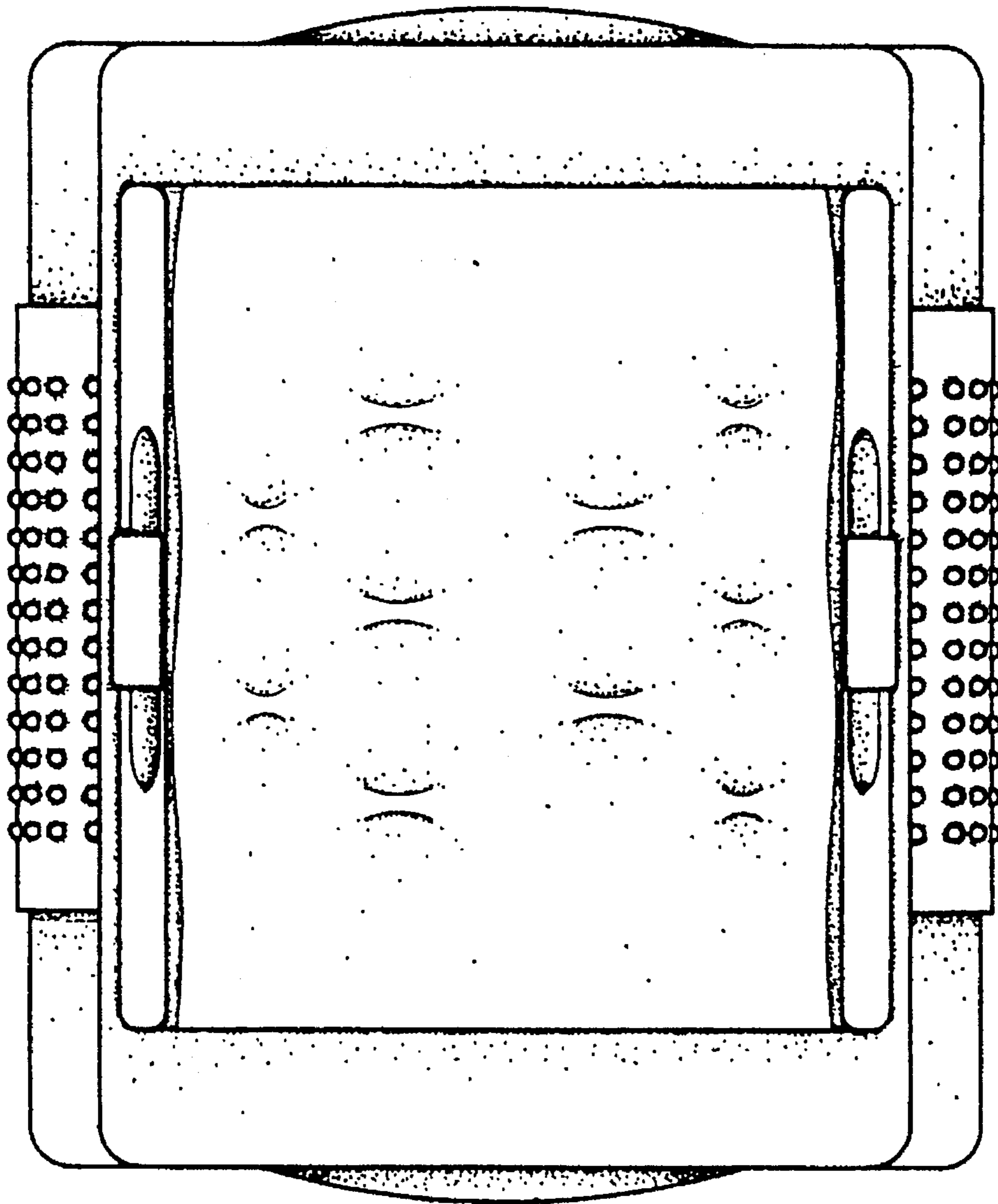


FIG. 6

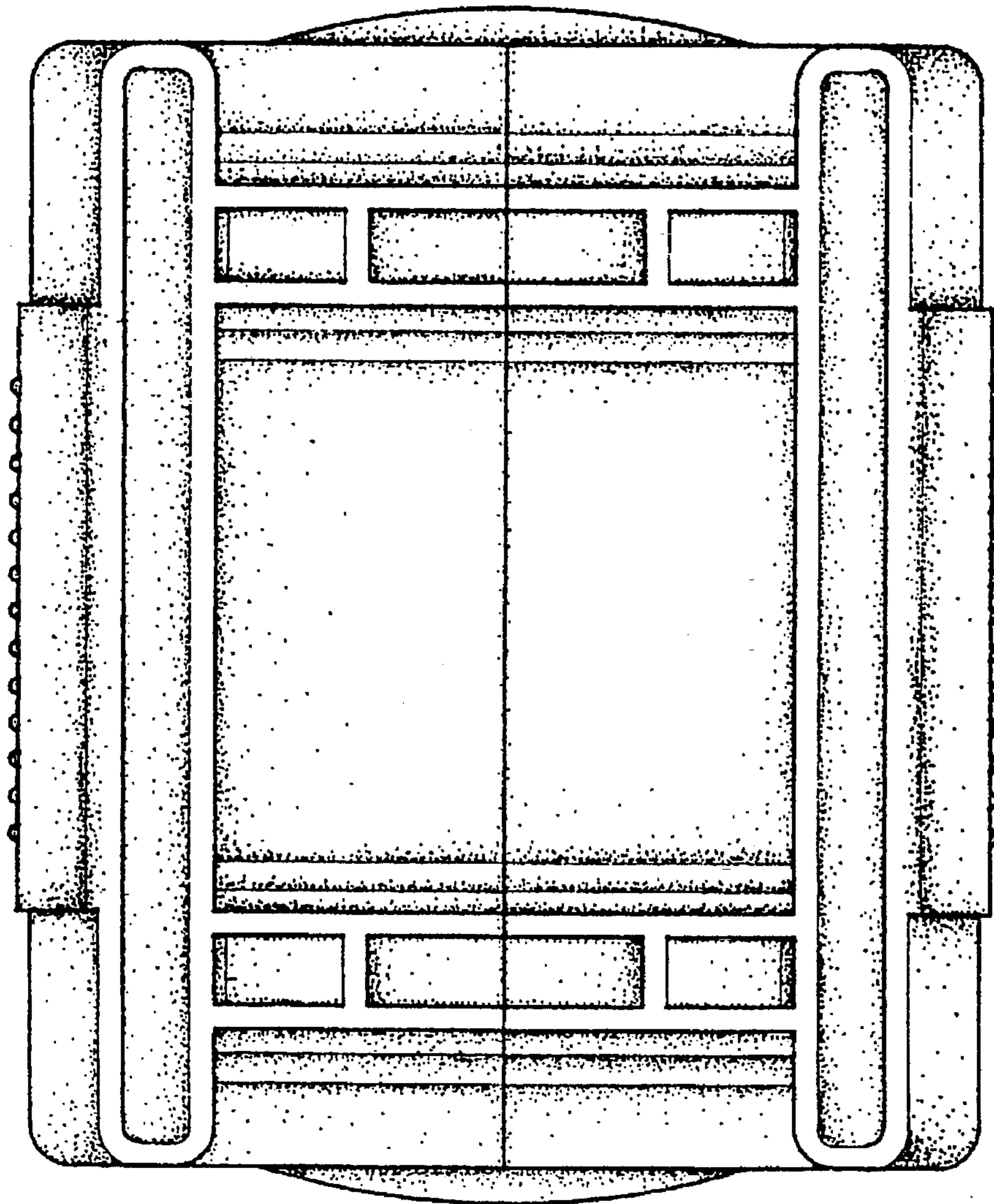


FIG. 7