



US00D375794S

United States Patent [19]

Bender

[11] Patent Number: **Des. 375,794**

[45] Date of Patent: ****Nov. 19, 1996**

[54] **COMBINED BABY BOTTLE AND SUPPORT**

[76] Inventor: **Gregory D. Bender**, 2110 Gallia St.,
Portsmouth, Ohio 45662

[**] Term: **14 Years**

[21] Appl. No.: **46,607**

[22] Filed: **Oct. 13, 1995**

[52] U.S. Cl. **D24/197; D24/199**

[58] Field of Search **D24/197, 199;**
215/11.1, 11.2, 11.3, 11.4, 11.5, 11.6; D21/65;
248/102-107

2,912,200 11/1959 Reinhorn .

2,989,278 6/1961 Hyman .

4,723,668 2/1988 Cheng 215/11.5

Primary Examiner—Stella Reid

Attorney, Agent, or Firm—Sidney W. Millard; Kremblas,
Foster, Millard & Pollick

[57] **CLAIM**

The ornamental design for a combined baby bottle and support, as shown and described.

DESCRIPTION

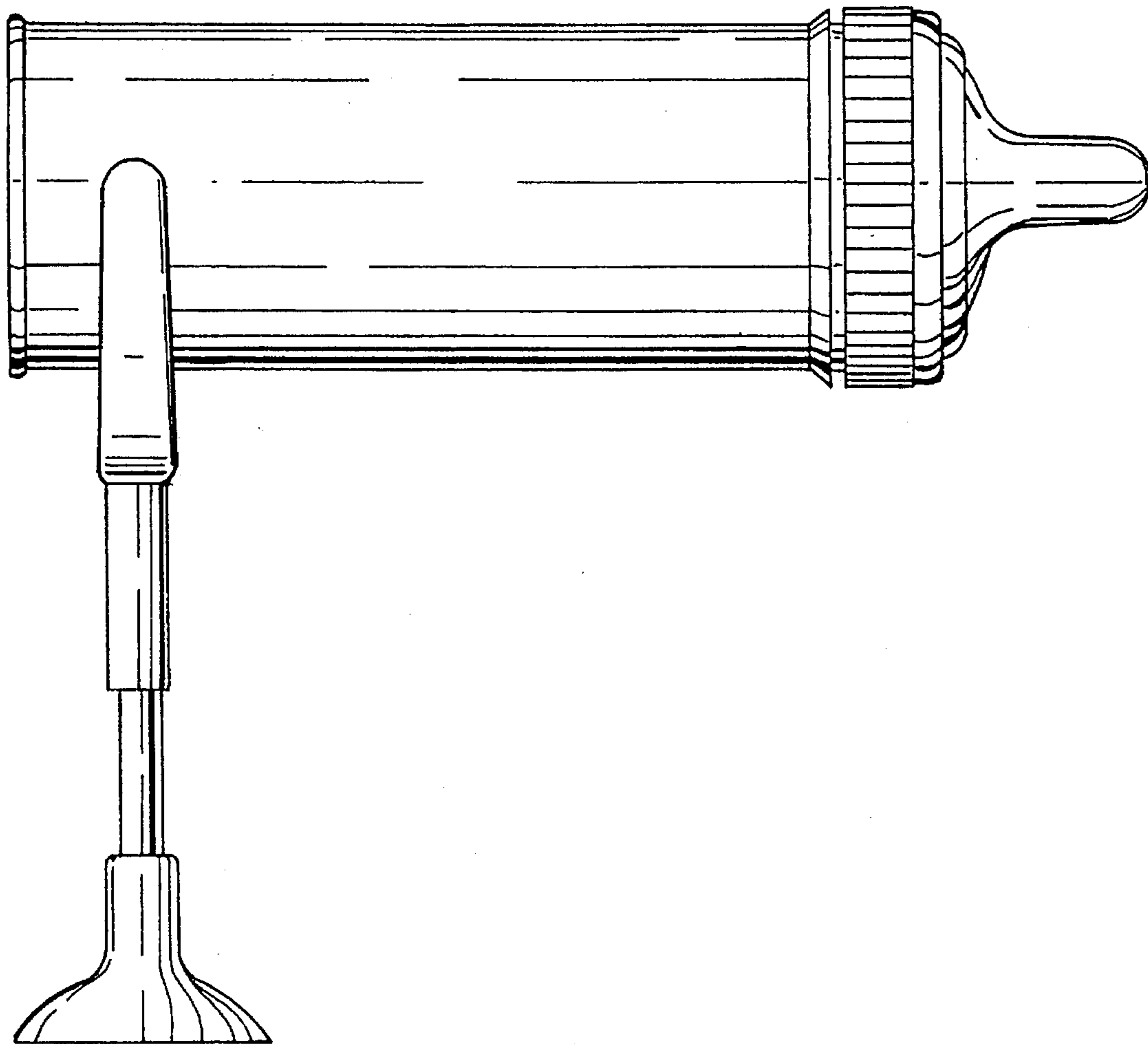
FIG. 1 is a side elevational view of a combined baby bottle and support showing my new design; FIG. 2 is a front elevational view thereof; FIG. 3 is a top plan view thereof; FIG. 4 is a rear elevational view thereof; and, FIG. 5 is a bottom plan view thereof.

1 Claim, 2 Drawing Sheets

[56] **References Cited**

U.S. PATENT DOCUMENTS

- D. 250,048 10/1978 Sussman D24/199
- D. 288,454 2/1987 Thom .
- D. 345,423 3/1994 Sabalones .
- 2,063,554 12/1936 Meyerson .



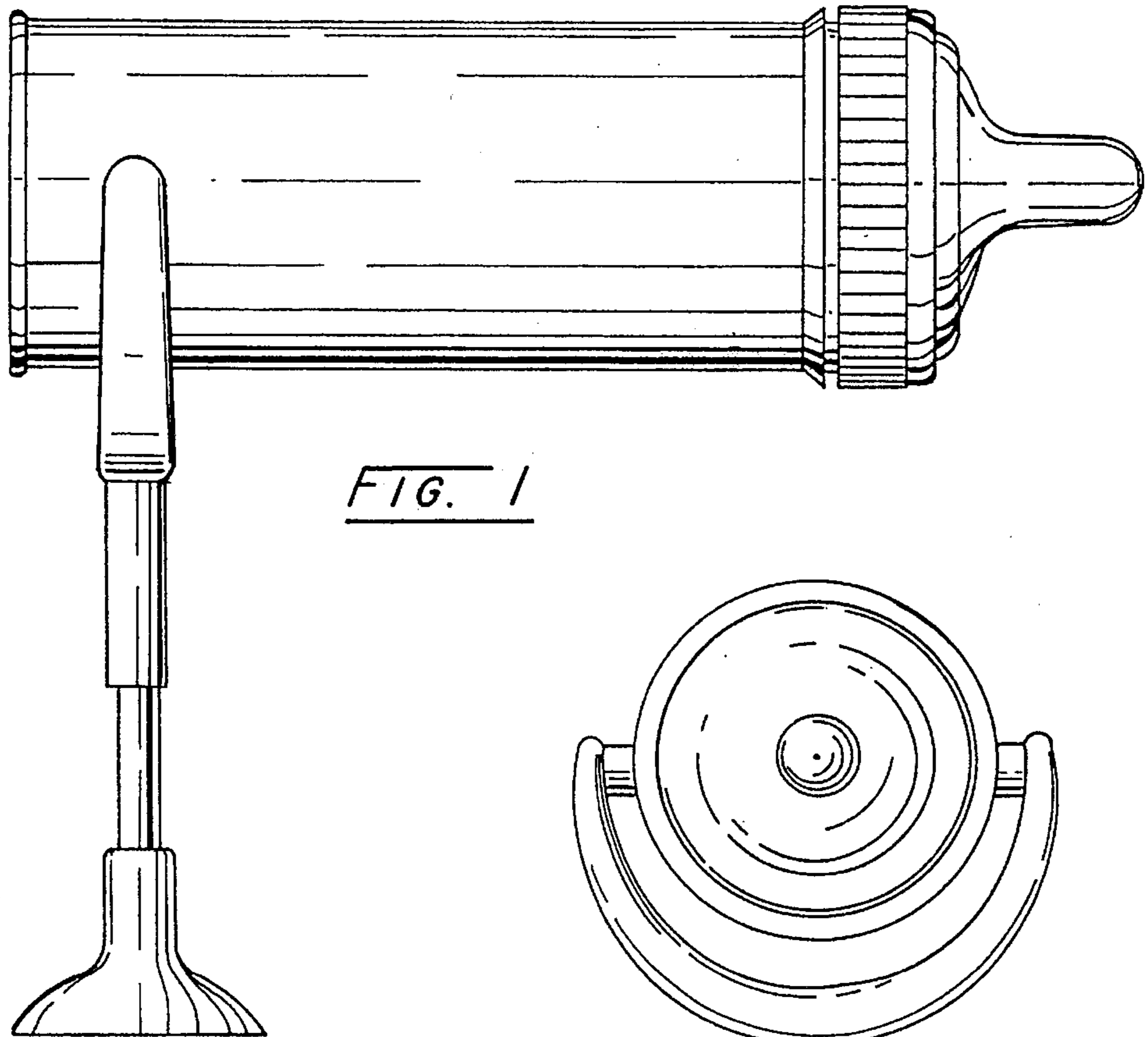


FIG. 1

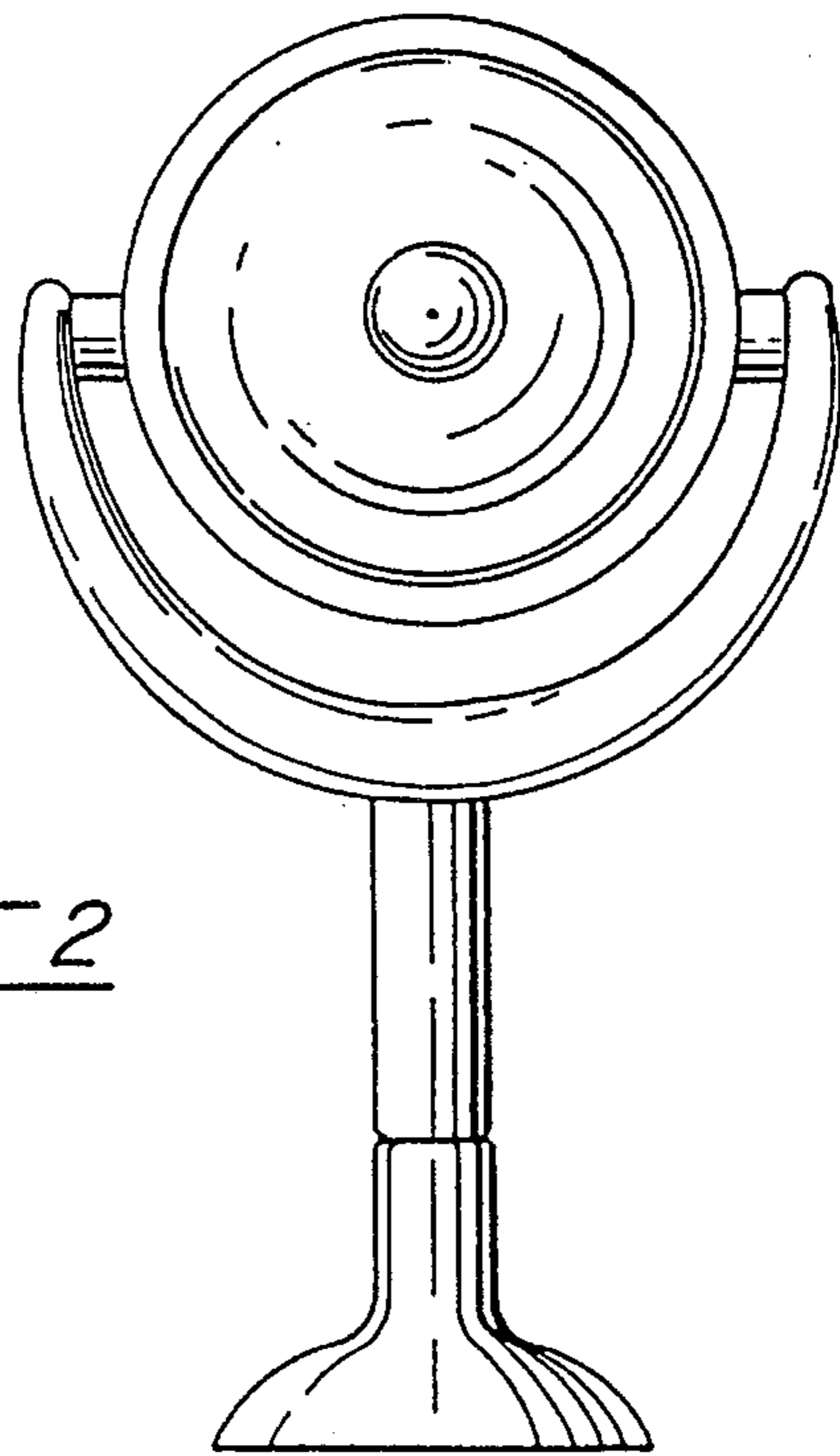


FIG. 2

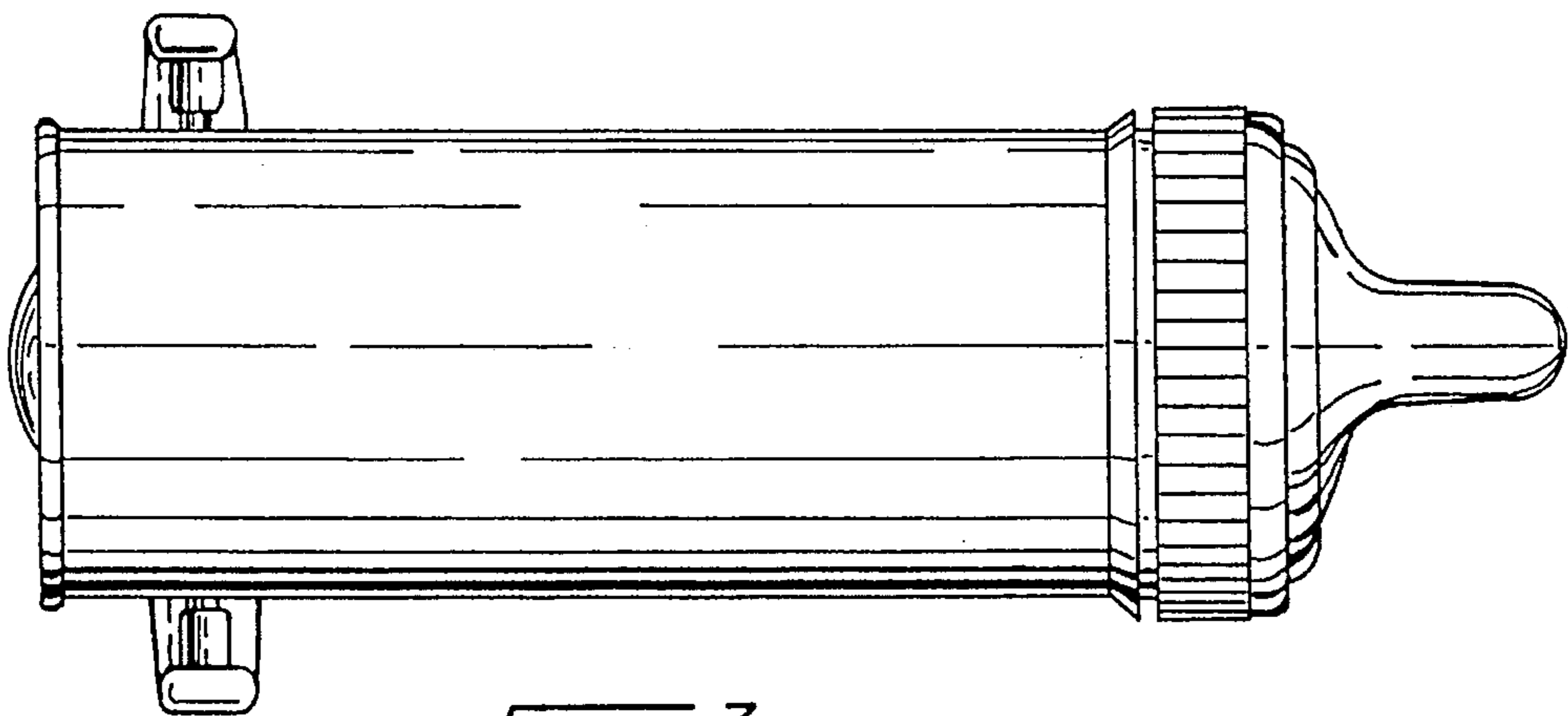


FIG. 3

FIG. 4

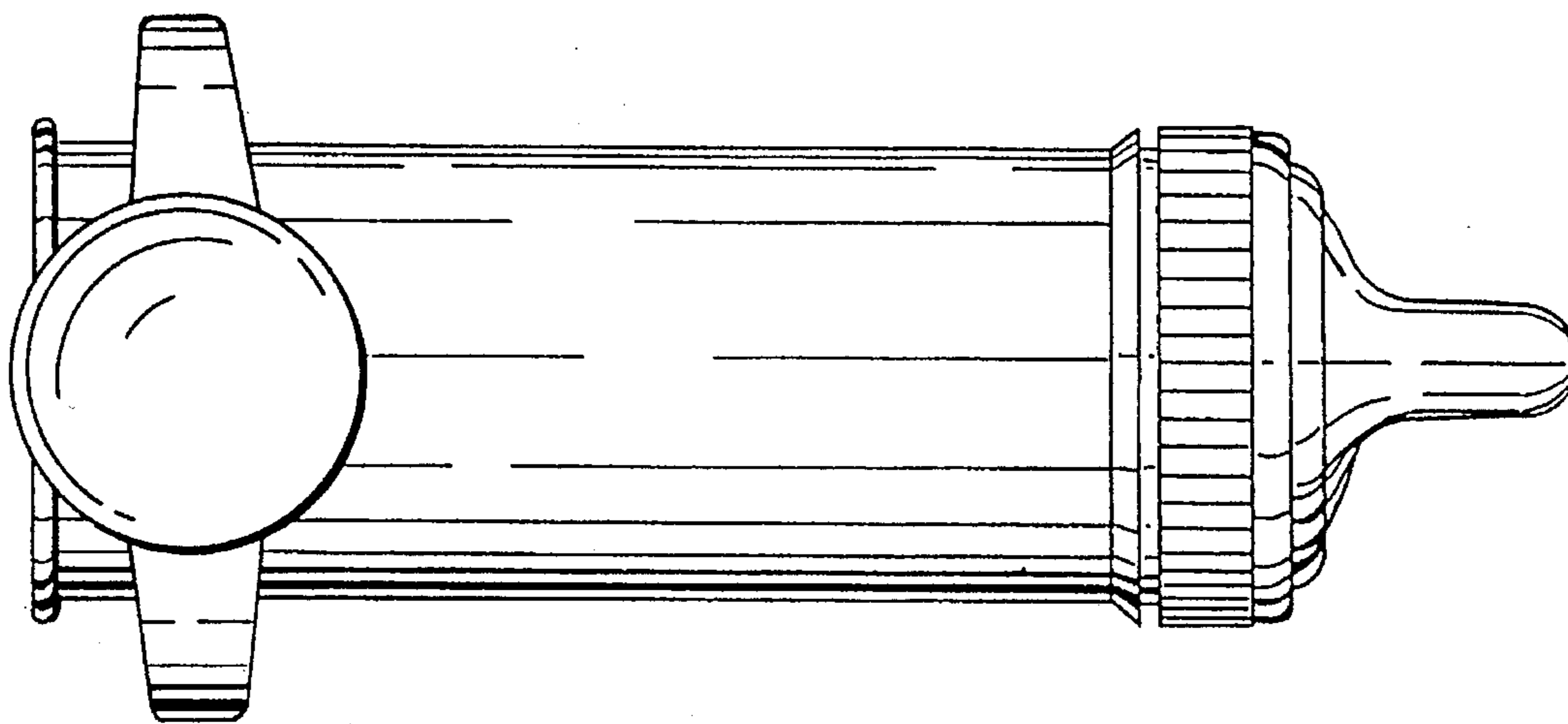
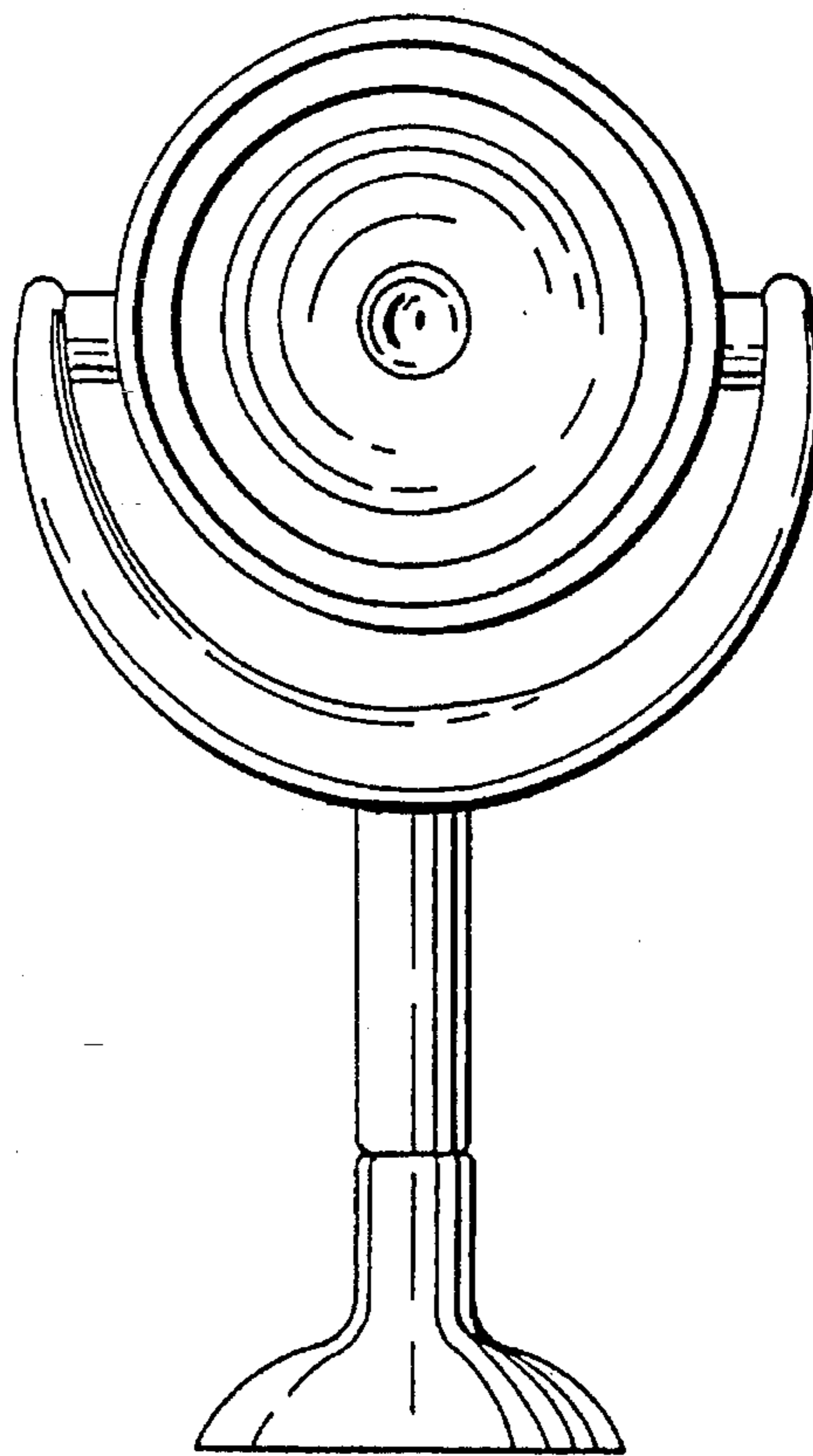


FIG. 5