



US00D375791S

United States Patent [19]

[11] Patent Number: **Des. 375,791**

Goble et al.

[45] Date of Patent: ****Nov. 19, 1996**

- [54] **ORTHOPAEDIC WASHER**
- [75] Inventors: **E. Marlowe Goble; David P. Luman,**
both of Logan, Utah; **S. Kyle Hayes,**
Warsaw, India.
- [73] Assignee: **Zimmer, Inc.,** Warsaw, India.; by said
S. Kyle Hayes
- [**] Term: **14 Years**
- [21] Appl. No.: **47,775**
- [22] Filed: **Dec. 12, 1995**

4,852,558	8/1989	Outerbridge	128/92 YF
4,913,144	4/1990	Del Medico	606/75
4,955,898	9/1990	Matsutani et al.	606/219
4,960,420	10/1990	Goble et al.	606/72
4,988,351	1/1991	Paulos et al.	606/72
5,013,316	5/1991	Goble et al.	606/72
5,053,038	10/1991	Sheehan	606/75
5,129,902	7/1992	Goble et al.	606/65
5,167,665	12/1992	McKinney	606/75
5,209,756	5/1993	Seedhom et al.	606/151
5,234,431	8/1993	Keller	606/61 X
5,250,058	10/1993	Miller et al.	606/220 X
5,269,784	12/1993	Mast	606/73 X
5,352,229	10/1994	Goble et al.	606/75 X

Related U.S. Application Data

- [62] Division of Ser. No. 14,648, Sep. 15, 1993, Pat. No. Des. 368,777.
- [52] **U.S. Cl.** **D24/145**
- [58] **Field of Search** **D24/145, 146,**
D24/147; 606/75, 220, 219, 72, 73, 61,
53, 59, 96, 105, 111, 216, 232

FOREIGN PATENT DOCUMENTS

0033641B1	8/1981	European Pat. Off.	A61B 17/00
0406014A1	1/1991	European Pat. Off.	A61B 17/064
0488906A1	6/1992	European Pat. Off.	A61B 17/064
0520177A1	12/1992	European Pat. Off.	A61F 2/08
0552109	7/1993	European Pat. Off.	606/75
2702646	9/1994	France	606/75
1558965	1/1980	United Kingdom	A61B 17/18
WO90/00370	1/1990	WIPO	A61B 17/08

[56] References Cited

U.S. PATENT DOCUMENTS

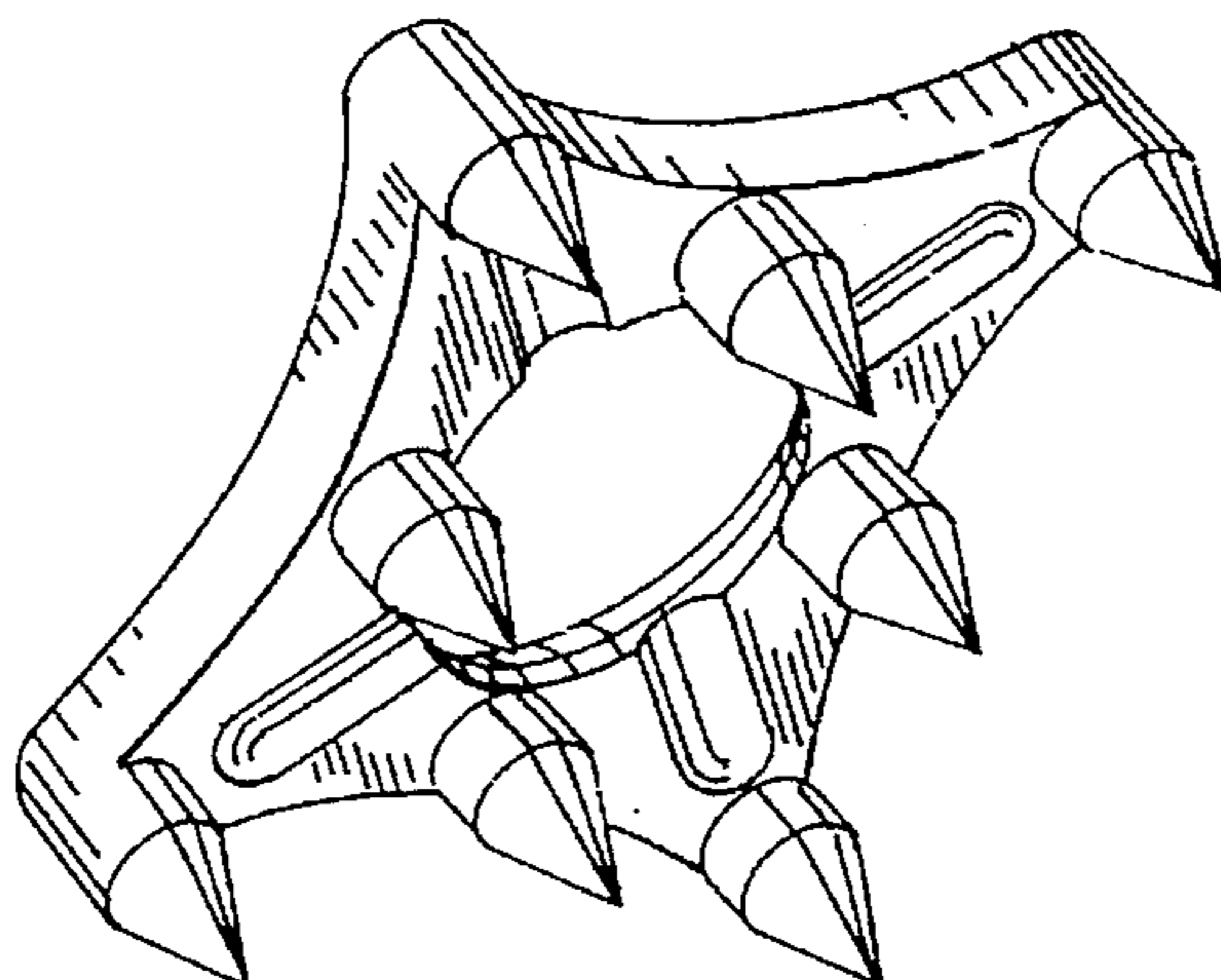
D. 280,550	9/1985	Pratt et al.	D24/27
D. 281,814	12/1985	Pratt et al.	D24/27
D. 284,509	7/1986	Johnson	D24/29
2,919,621	1/1960	Langdon	85/29
4,047,524	9/1977	Hall	128/69
4,263,903	4/1981	Griggs	128/92 B
4,278,091	7/1981	Borzzone	128/334 C
4,438,769	3/1984	Pratt et al.	128/334 R
4,454,875	6/1984	Pratt et al.	128/92 B
4,462,395	7/1984	Johnson	128/92 B
4,548,202	10/1985	Duncan	128/334 C
4,570,623	2/1986	Ellison et al.	128/92 B
4,592,346	6/1986	Jurgutis	128/92 B
4,607,638	8/1986	Crainich	128/335
4,655,222	4/1987	Florez et al.	128/334 R
4,723,540	2/1988	Gilmer, Jr.	128/92 YC
4,759,765	7/1988	Van Kampen	623/13
4,793,335	12/1988	Frey et al.	128/92 R
4,834,752	5/1989	Van Kampen	623/13
4,838,254	6/1989	Gauthier	128/92 YF
4,848,328	7/1989	Laboureau et al.	128/92 YC

OTHER PUBLICATIONS

- Linivatec Catalog—pp. 77 and 81—Spiked Washers and Fixation Staples, respectively—1992.
- Zimmer Catalog—pp. B88,B89,B90,B91,C57—Staples and Washers—1987.
- Synthes Catalog—p. 44—Spiked Washer—1977 (Also related Synthes Bulletin).
- Manual of Internal Fixation—p. 29—Washers—1979.
- Howmedica Catalog—pp. D107,D108,E15,F28—Staples—1978.
- Howmedica Catalog—p. G33—I.C.L.H. Staple System—1984.
- Howmedica Ad—Ellison Staple—JBJS—Oct.—1986.
- Primary Examiner*—Doris V. Coles
- Assistant Examiner*—I. Simmons
- Attorney, Agent, or Firm*—Margaret L. Geringer

[57] CLAIM

The ornamental design for an orthopaedic washer, as shown and described.



DESCRIPTION

FIG. 1 is a perspective view of an orthopaedic washer showing our new design;

FIG. 2 is a bottom plan view thereof;

FIG. 3 is a side elevational view thereof;

FIG. 4 is a top plan view thereof; and,

FIG. 5 is a cross-sectional view thereof taken along lines 5—5 of FIG. 2.

The broken line showing of the screw member in FIG. 3 is for illustrative purposes only and forms no part of the claimed design.

1 Claim, 1 Drawing Sheet

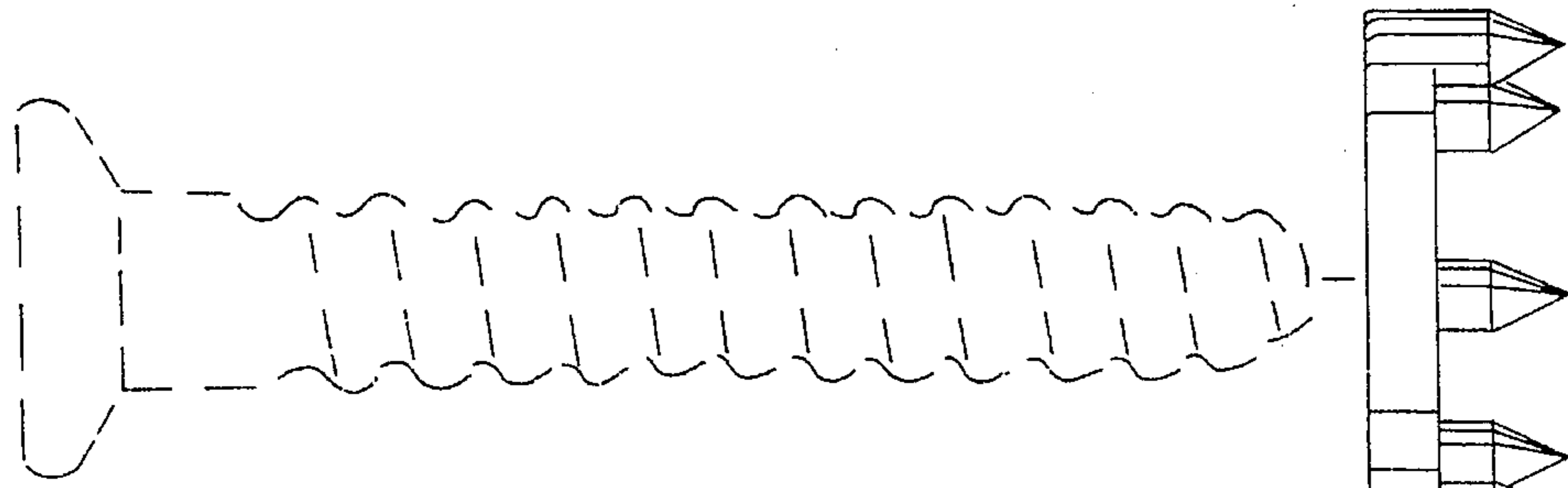


FIG. 1

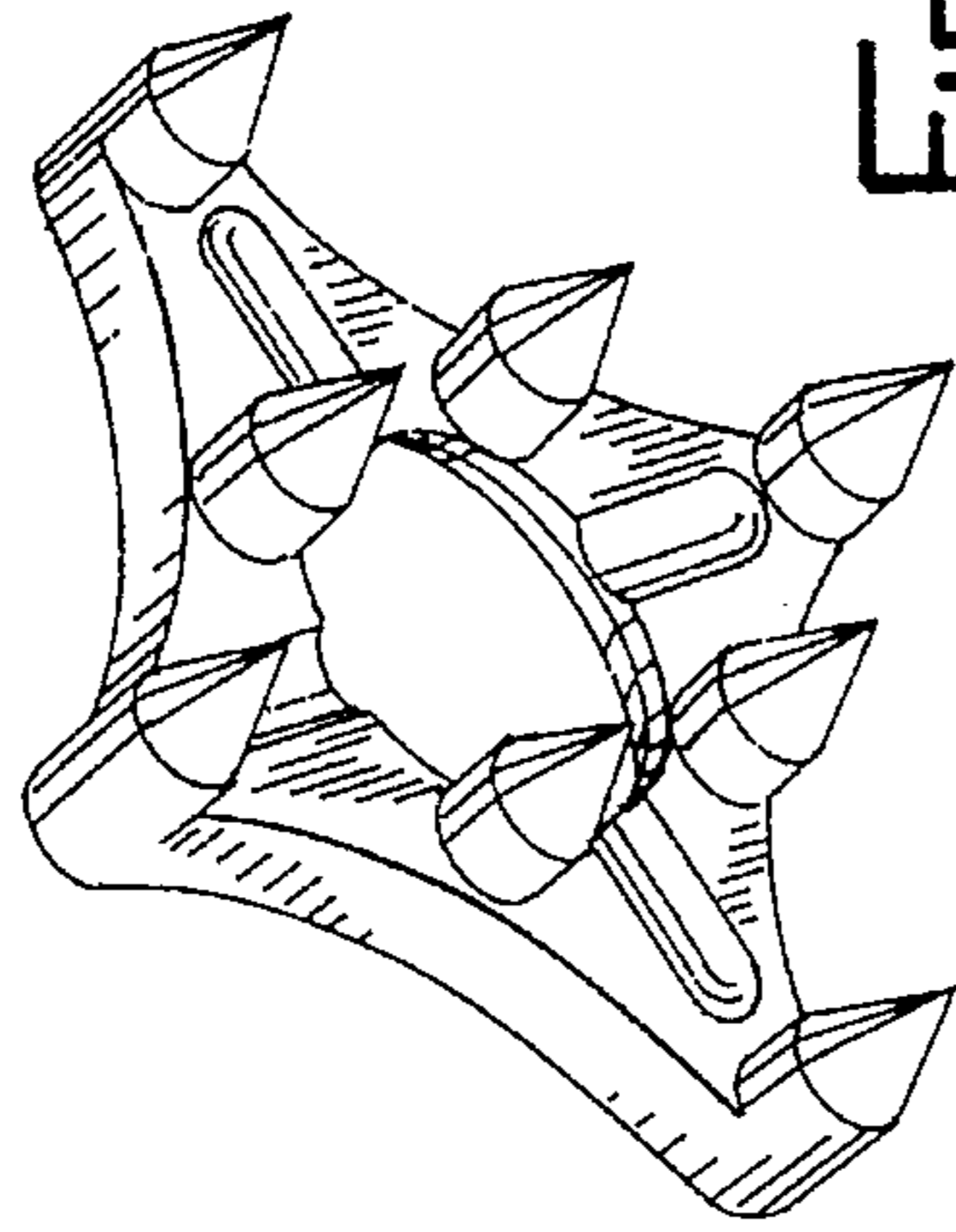


FIG. 2

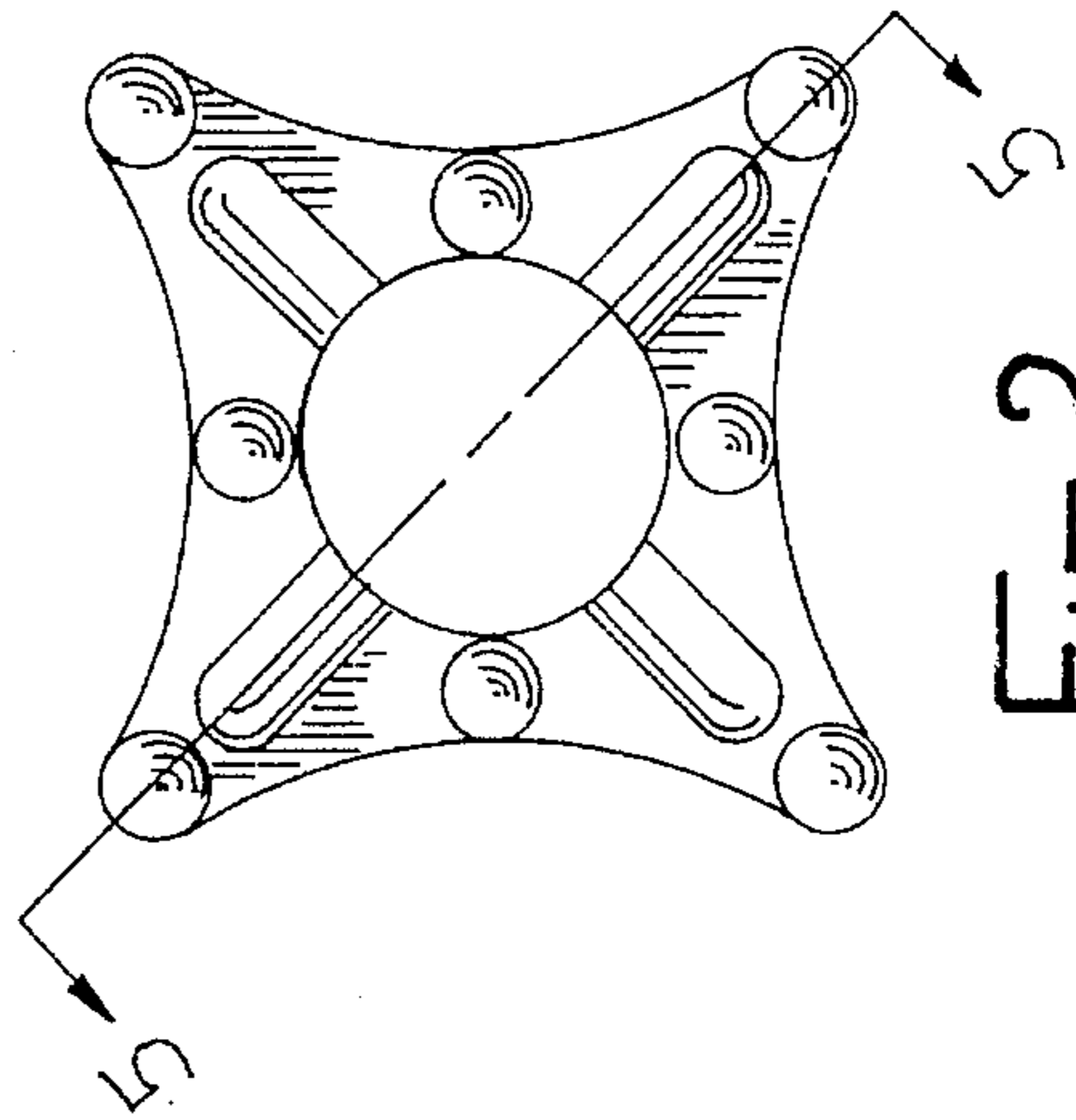


FIG. 3

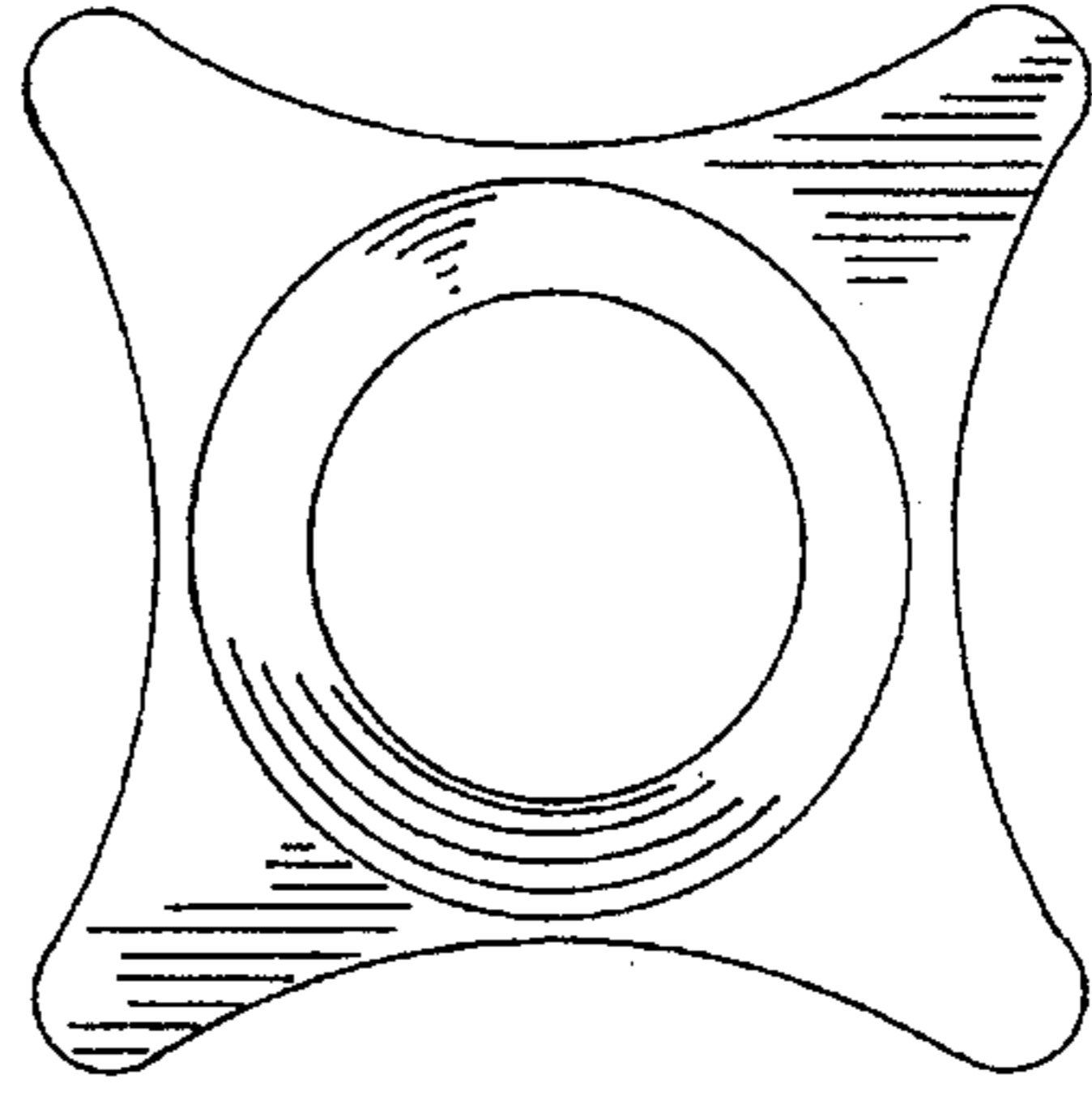
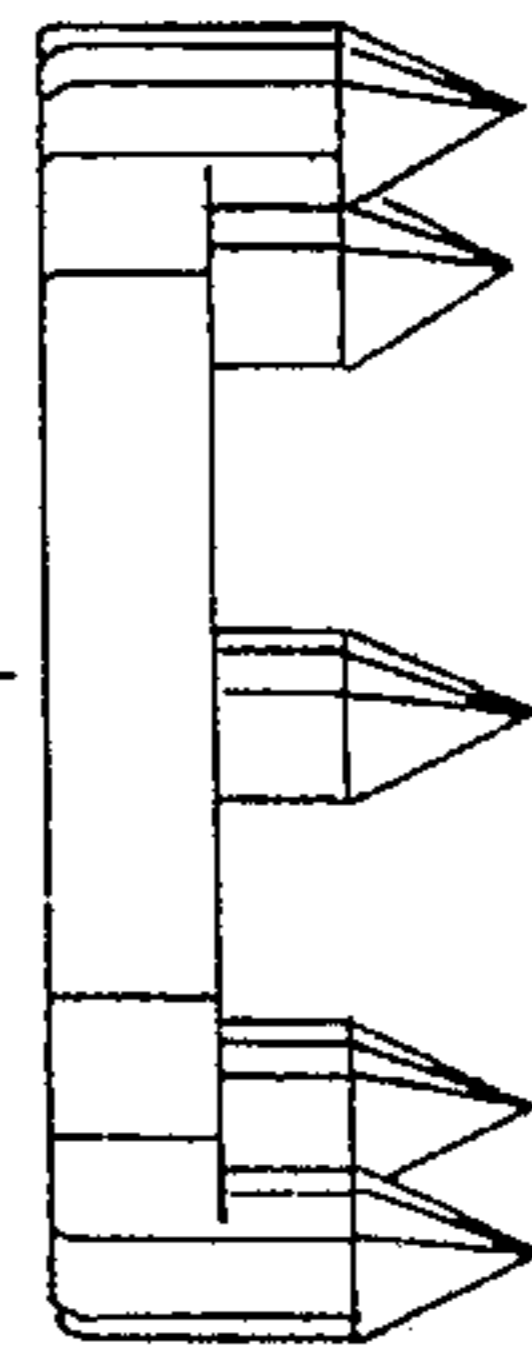


FIG. 4

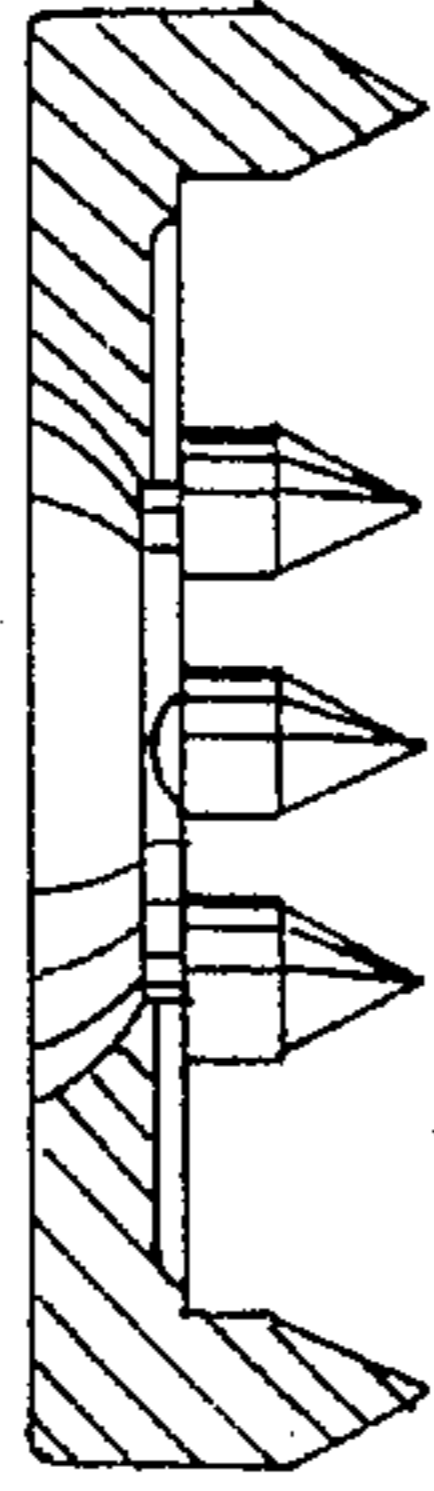


FIG. 5