



US00D375788S

United States Patent [19]

Potts et al.

[11] Patent Number: **Des. 375,788**

[45] Date of Patent: ****Nov. 19, 1996**

[54] **AMPULE ADAPTER**
[75] Inventors: **Robert S. Potts; David L. Adriaansen,**
both of Boston, Mass.

[73] Assignee: **Ciba Corning Diagnostics Corp.,**
Medfield, Mass.

[**] Term: **14 Years**

[21] Appl. No.: **40,474**

[22] Filed: **Jun. 19, 1995**

[52] U.S. Cl. **D24/108; D24/112; D24/129;**
D24/133

[58] Field of Search **D24/112, 133,**
D24/128, 127, 129, 121, 110, 108; 604/905,
232, 148, 192, 347; 422/102, 100, 103,
104

[56] **References Cited**

U.S. PATENT DOCUMENTS

4,353,869 10/1982 Guth D24/224 X
4,361,253 11/1982 Flynn et al. 222/162

4,469,151 9/1984 Wilson et al. 141/286
4,787,429 11/1988 Valentini et al. 141/383
4,909,290 3/1990 Coccia 141/329
5,232,029 8/1993 Knox et al. 141/329
5,393,497 2/1995 Haber et al. 206/438 X
5,472,022 12/1995 Michel et al. 604/232 X

Primary Examiner—Louis S. Zarfes
Assistant Examiner—I. Simmons
Attorney, Agent, or Firm—Arthur S. Morgenstern; Judith A. Roesler

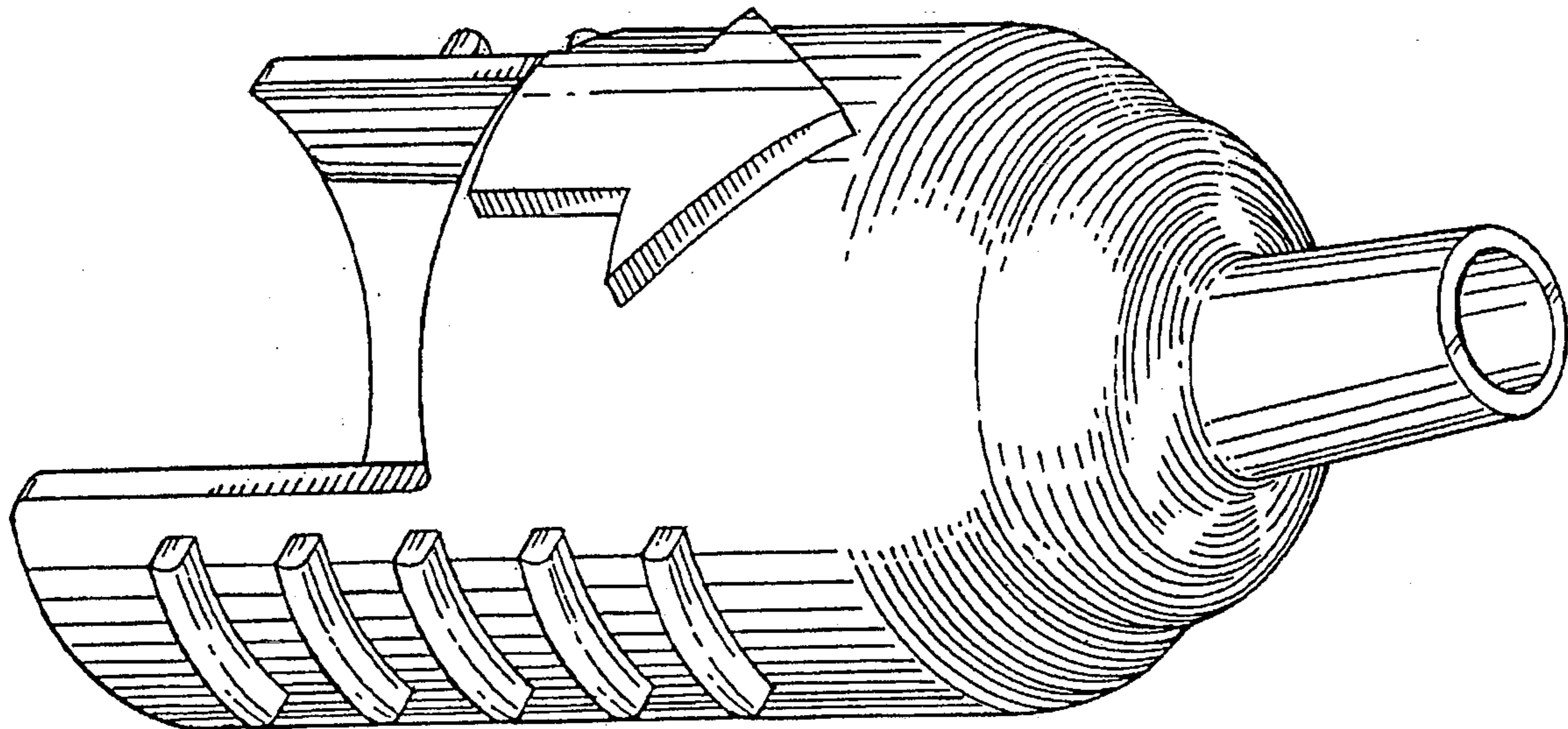
[57] **CLAIM**

The ornamental design for an ampule adapter, as shown and described.

DESCRIPTION

FIG. 1 shows the side view of the ampule adapter;
FIG. 2 shows a top view;
FIG. 3 shows a bottom view;
FIG. 4 shows a front view;
FIG. 5 shows a rear view; and,
FIG. 6 shows a perspective view.

1 Claim, 5 Drawing Sheets



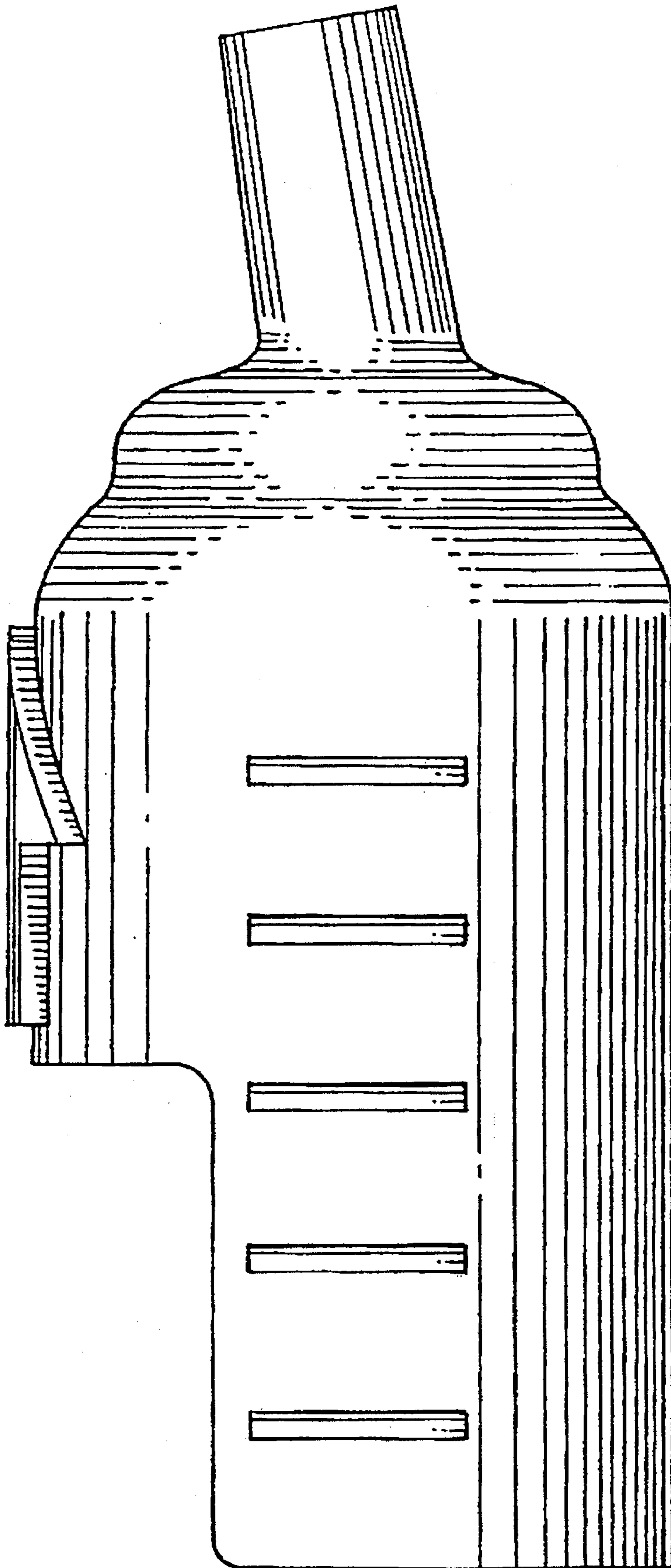


FIG. 1

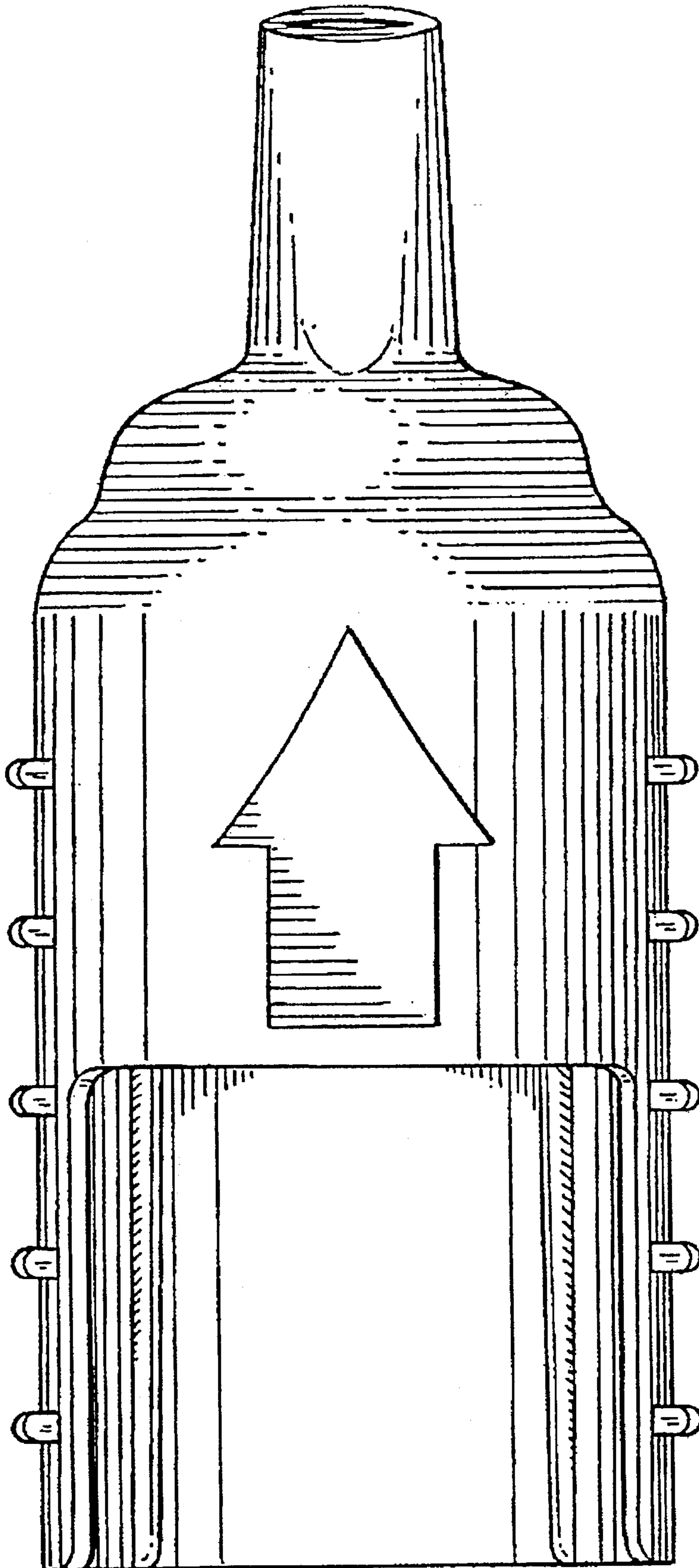


FIG. 2

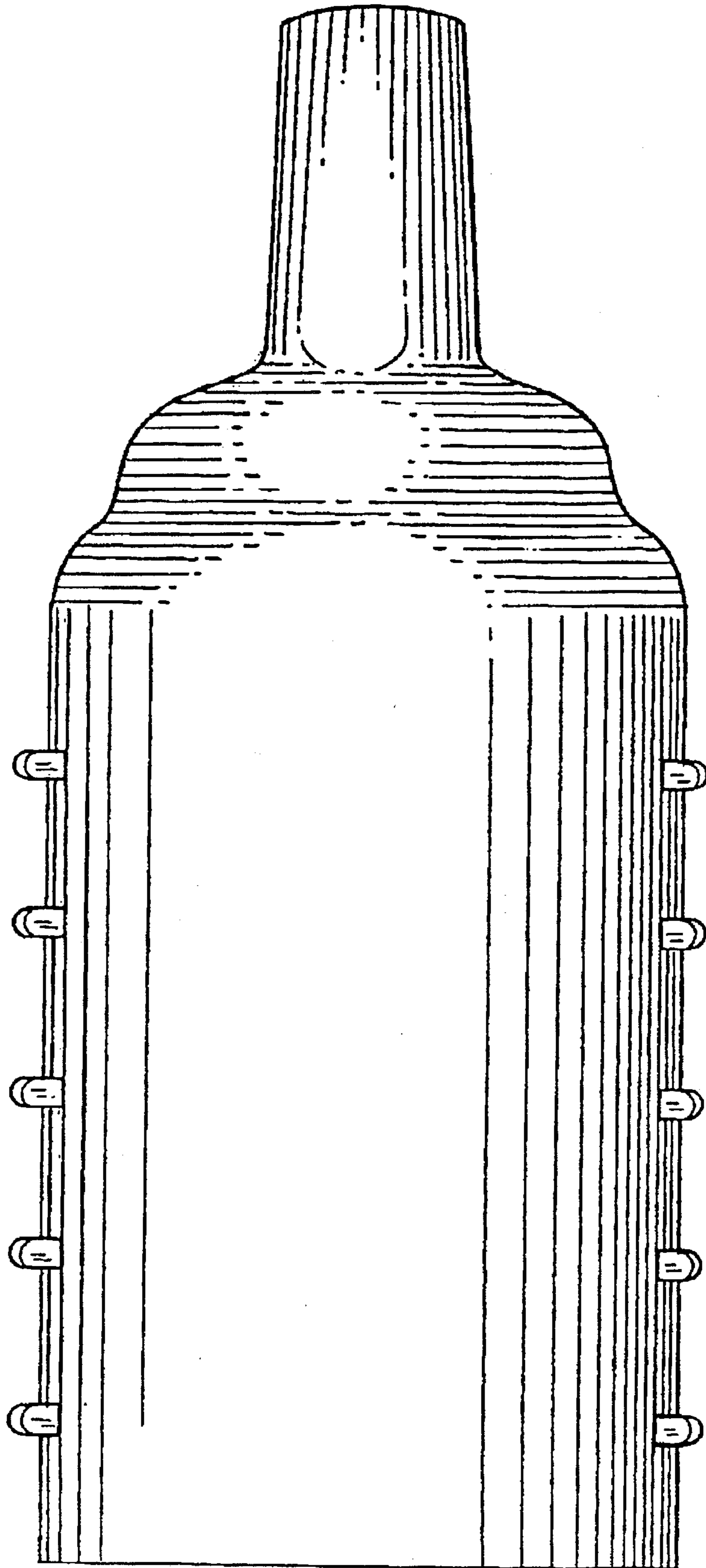


FIG. 3

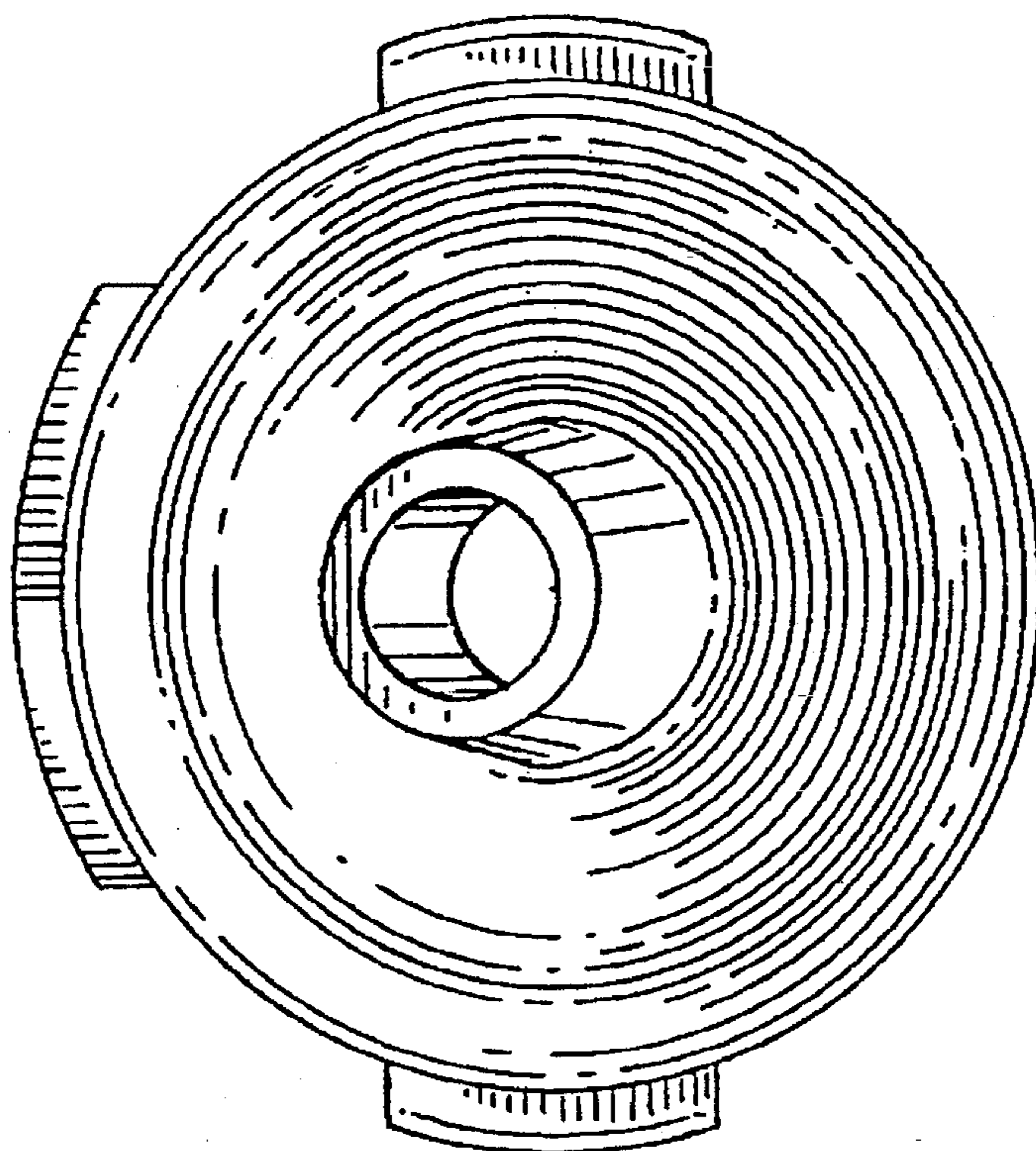


FIG. 4

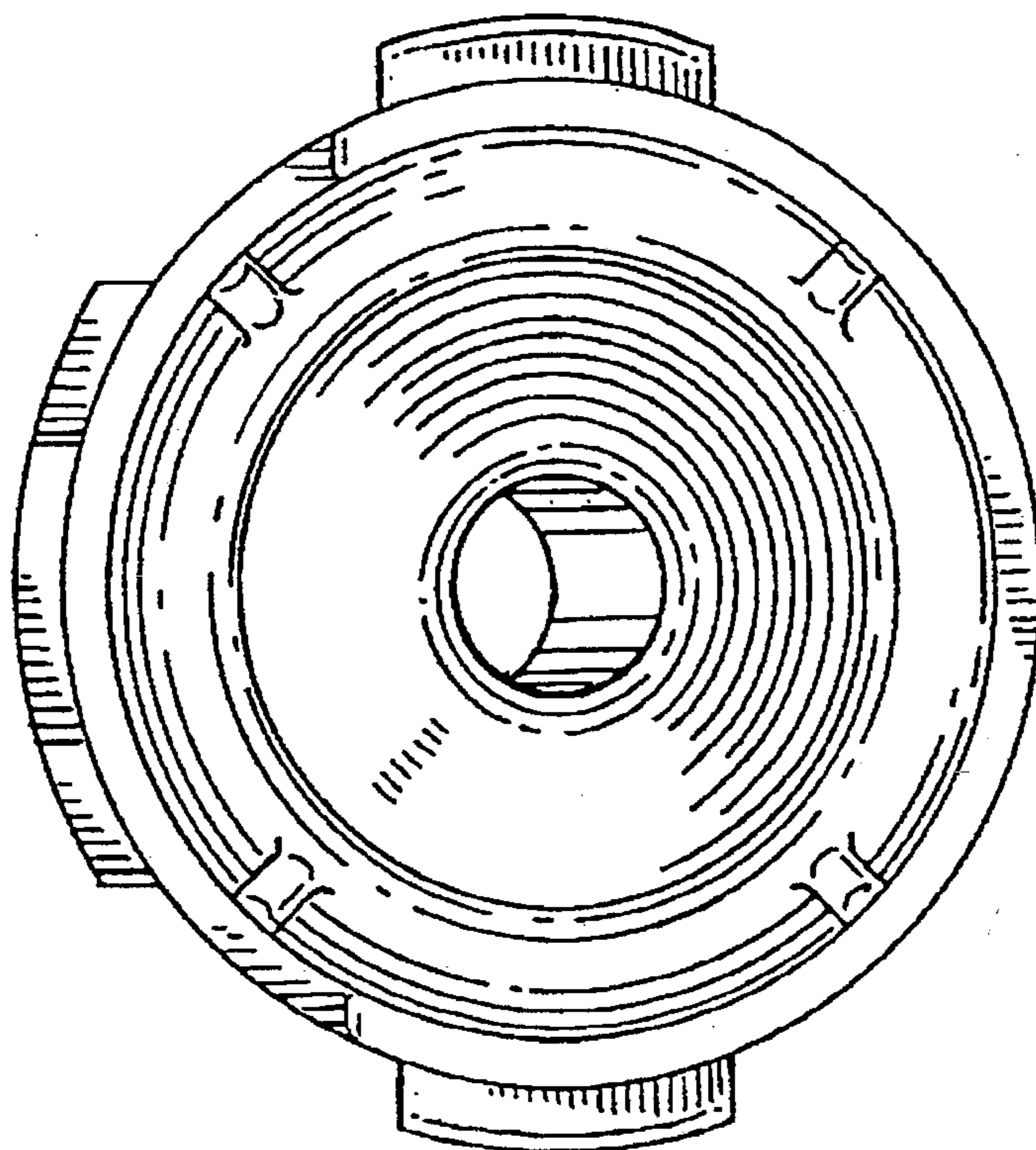


FIG. 5

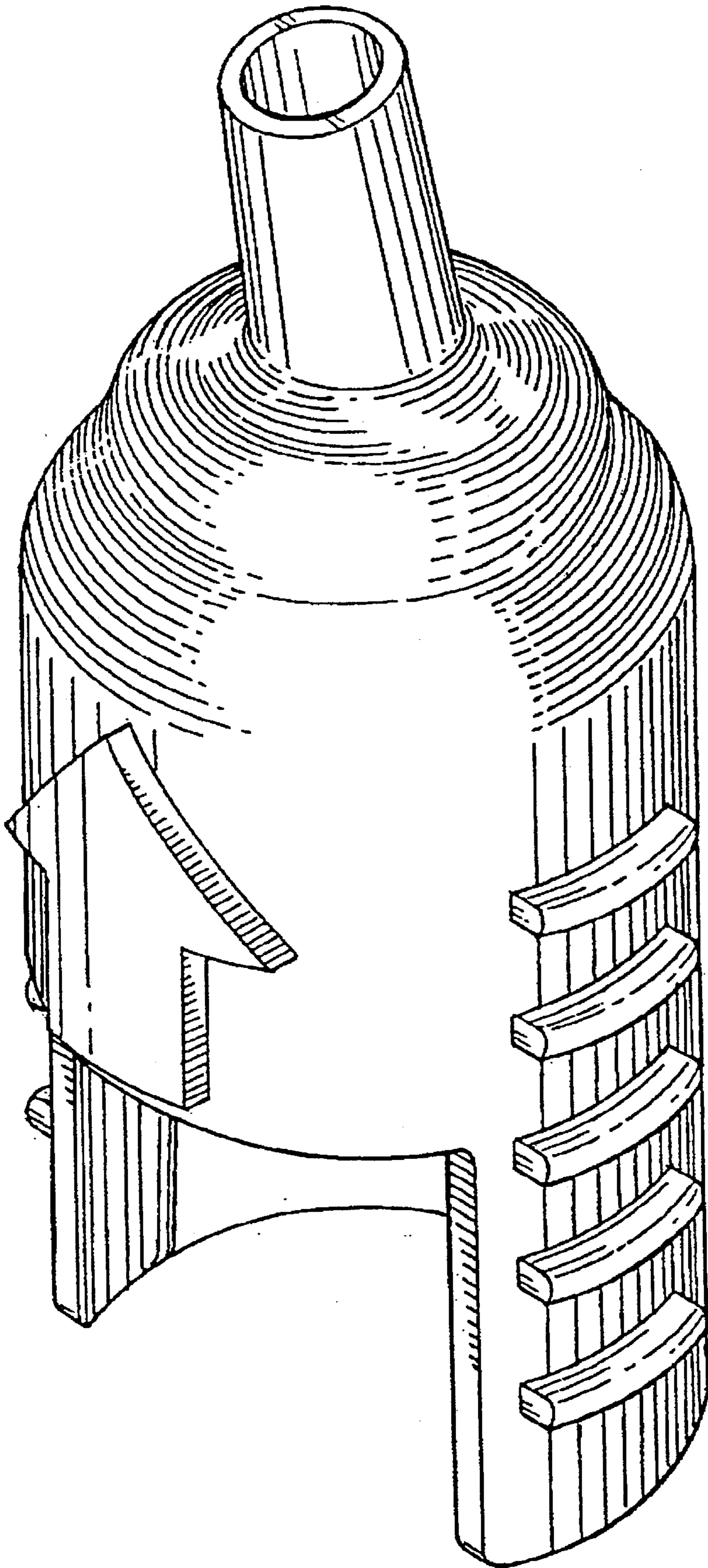


FIG. 6