



US00D375786S

United States Patent [19]

Morris

[11] Patent Number: **Des. 375,786**

[45] Date of Patent: ****Nov. 19, 1996**

[54] **DRAIN PIPE ADAPTER**

[76] Inventor: **Julius W. Morris**, 511 Park Ct.,
Nashville, N.C. 27856

[**] Term: **14 Years**

[21] Appl. No.: **28,460**

[22] Filed: **Sep. 15, 1994**

[52] U.S. Cl. **D23/260**

[58] Field of Search D23/259, 260,
D23/264; 285/42, 158, 212, 355, 357, 907;
138/89, 96 R, 96 T; 4/255.01, 255.04, 255.07,
255.08, 256.1

[56] **References Cited**

U.S. PATENT DOCUMENTS

D. 176,640	1/1956	Smith	D23/260
1,988,198	1/1935	German	4/255.04
2,430,976	11/1947	Dutra	4/255.04

2,500,404	3/1950	Donnelly	4/255.01
3,936,892	2/1976	Miller	4/255.01
3,952,341	4/1976	Cain	4/255.01
4,823,411	4/1989	Nettel	138/89
4,823,416	4/1989	Blancato et al.	4/255.01 X
5,038,829	8/1991	Panella	138/89

Primary Examiner—Louis S. Zarfaz

Assistant Examiner—Eric Watterson

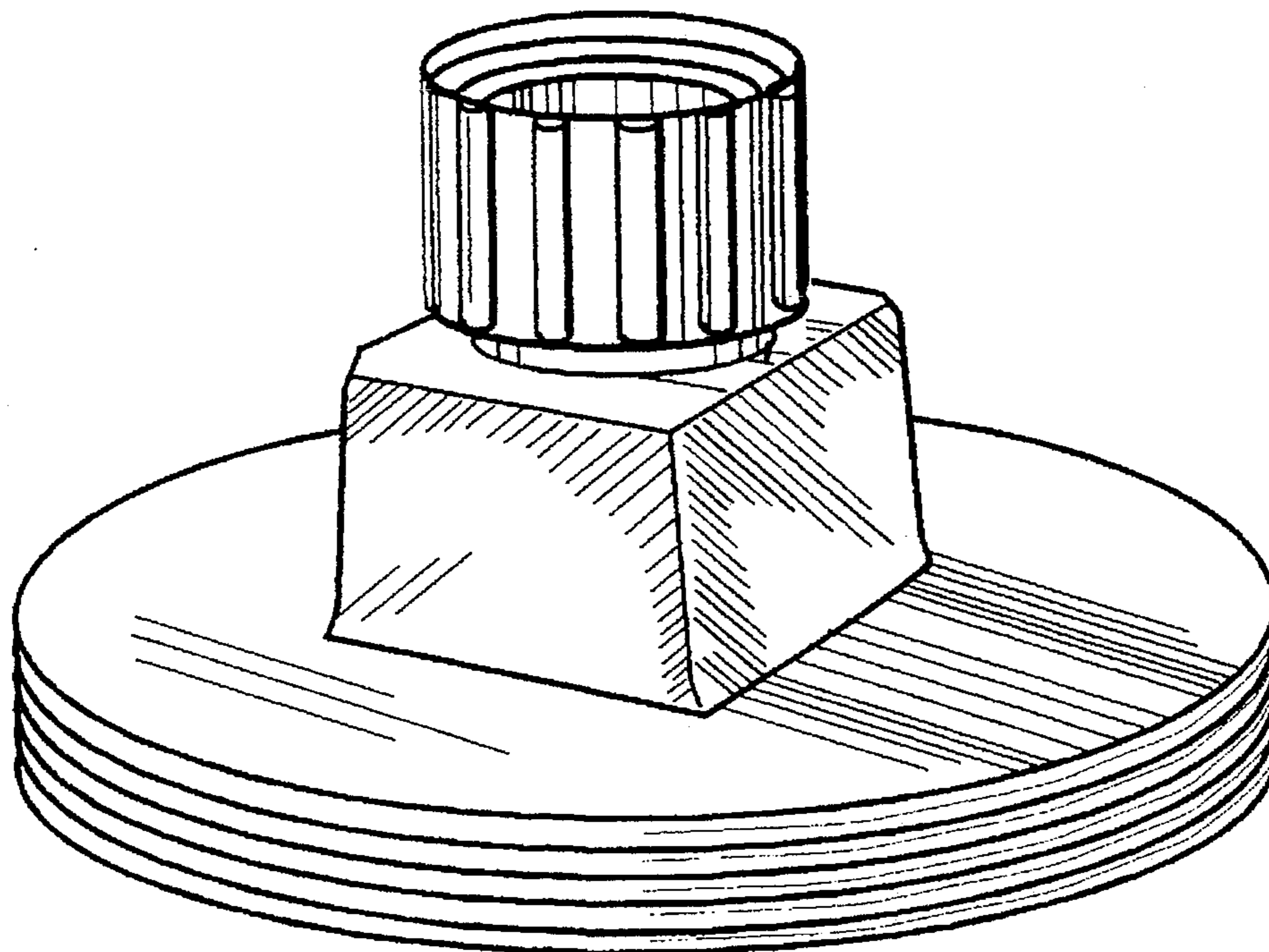
[57] **CLAIM**

The ornamental design for drain pipe adapter, as shown.

DESCRIPTION

FIG. 1 is a top perspective view of a drain pipe adapter, showing my new design;
FIG. 2 is a bottom perspective view thereof;
FIG. 3 is a top perspective view of a second embodiment, showing my new design; and,
FIG. 4 is a bottom perspective view thereof.

1 Claim, 2 Drawing Sheets



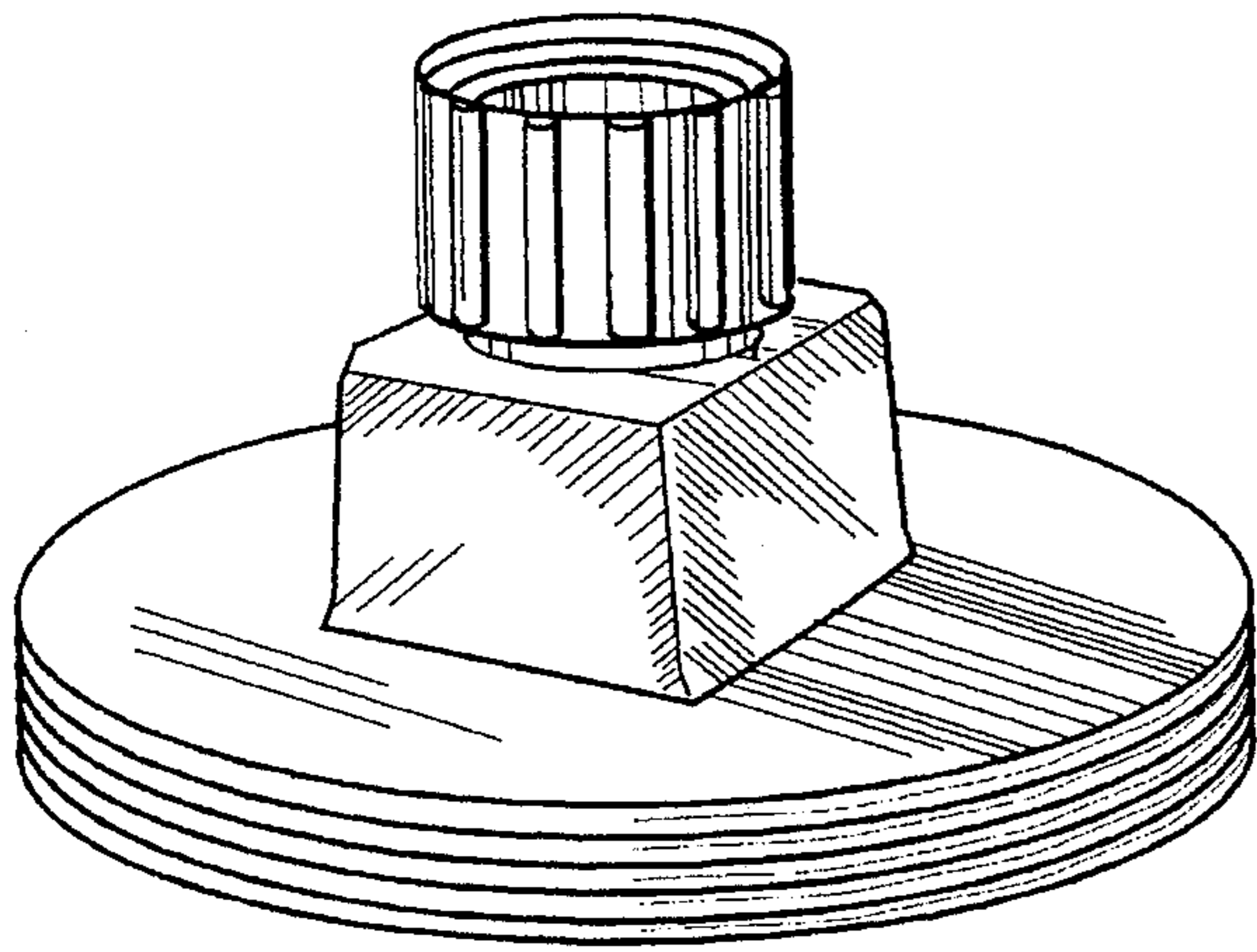


FIG. 1

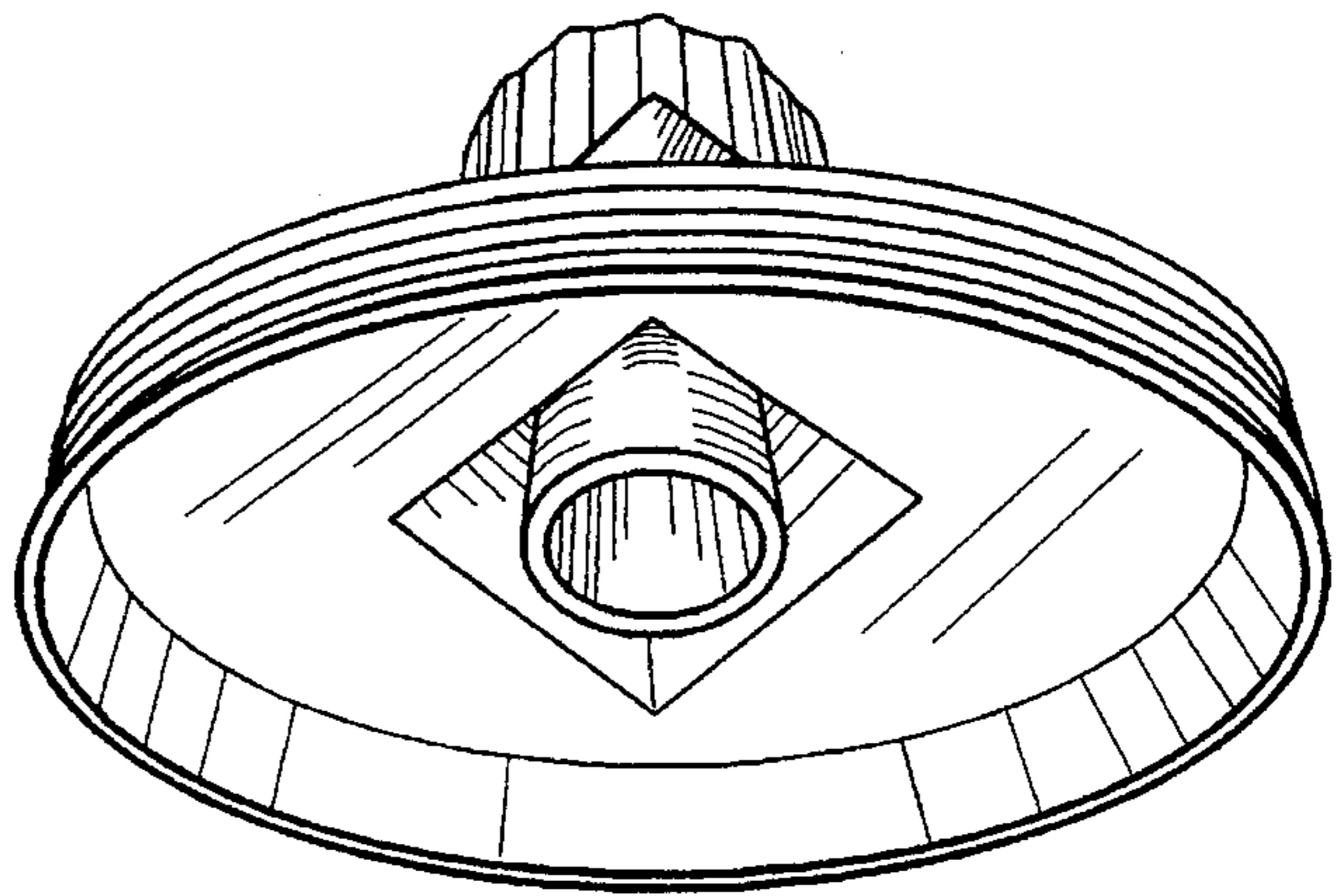


FIG. 2

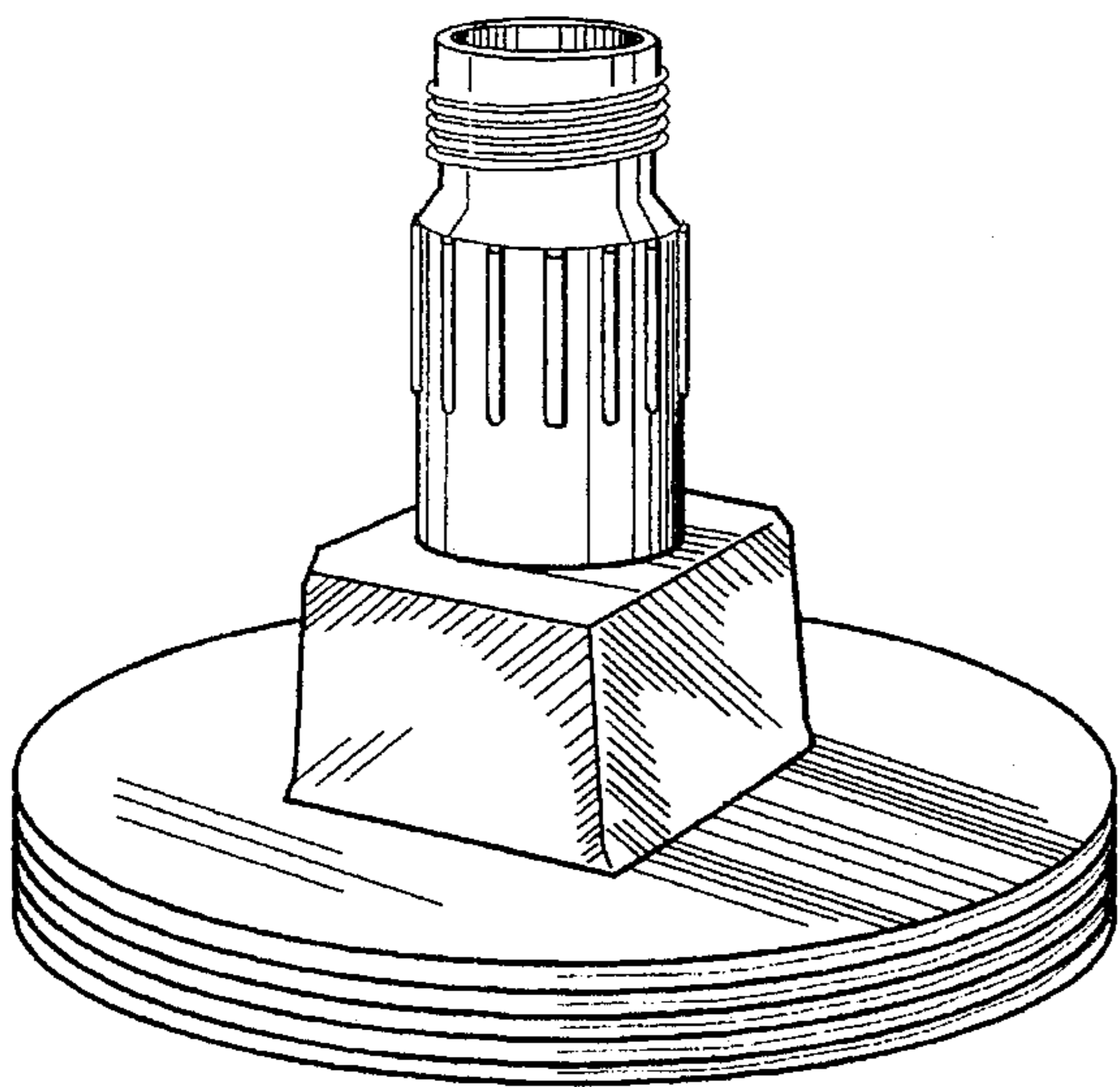


FIG. 3

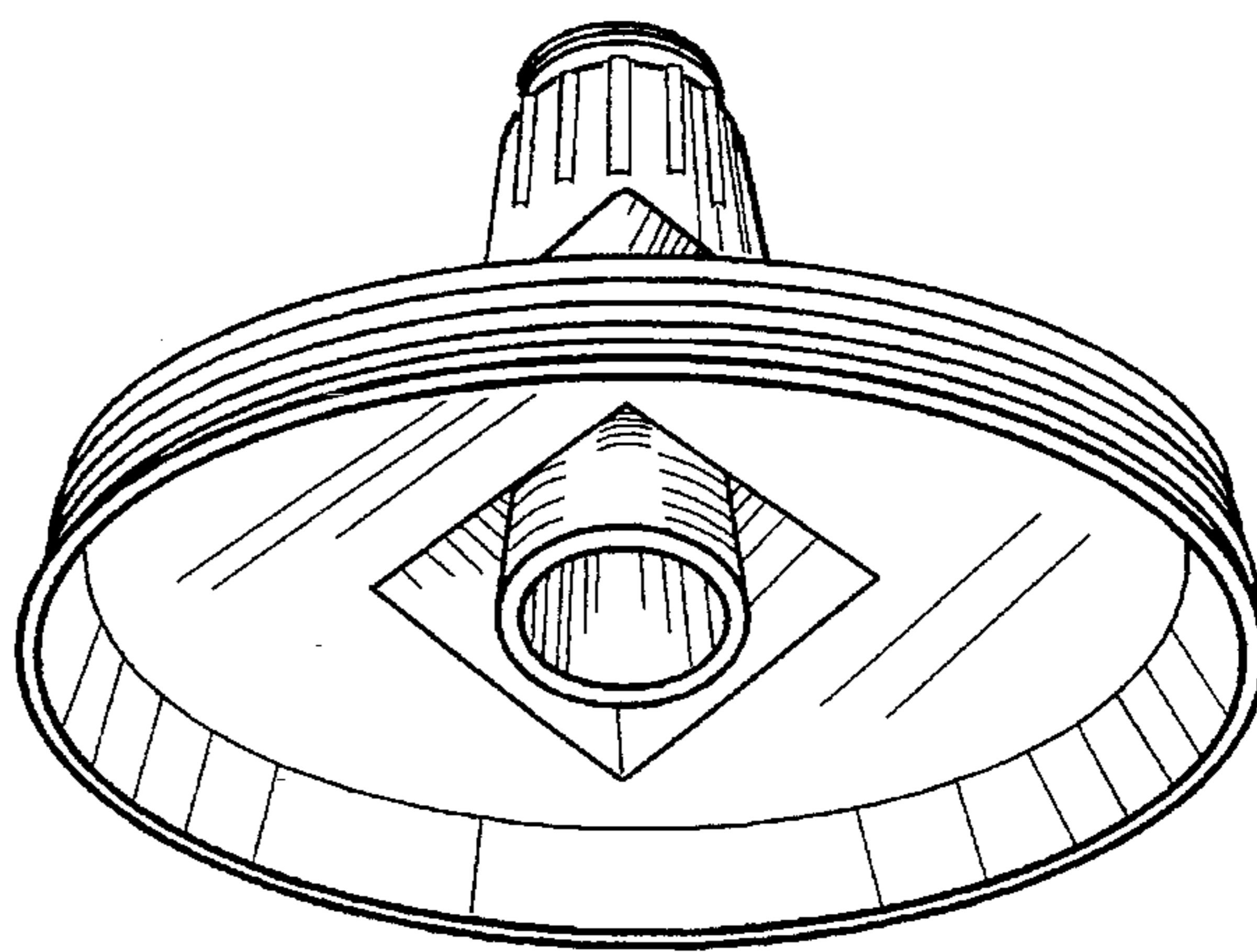


FIG. 4