



US00D375785S

United States Patent [19]

Spano et al.

[11] Patent Number: **Des. 375,785**

[45] Date of Patent: ****Nov. 19, 1996**

[54] FAUCET HANDLE

[75] Inventors: **Donna A. Spano**, Chatham, N.J.;
Rudolf Steffes, Mueckeln, Germany

[73] Assignee: **American Standard Inc.**, Piscataway, N.J.

[**] Term: **14 Years**

[21] Appl. No.: **38,035**

[22] Filed: **Apr. 26, 1995**

[52] U.S. Cl. **D23/252**

[58] Field of Search D23/238-243,
D23/250-254; D8/300, 302, 307, 308, 310;
4/324-327, 405, 411, 414, 191, 192; 16/110,
118, 119, 121, 125

[56] **References Cited**

U.S. PATENT DOCUMENTS

- D. 149,386 4/1948 Smolensky D91/3
- D. 163,545 6/1951 Smolensky D91/3
- D. 289,543 4/1987 Davis D23/252
- D. 316,747 5/1991 Fleischmann D23/252
- D. 325,622 4/1992 Bengtson D23/252

- D. 339,190 9/1993 Pieramico et al. D8/307 X
- D. 349,328 8/1994 Bollenbacher D8/308
- 2,740,130 4/1956 Stone 4/192
- 2,790,632 4/1957 Mellette 261/59
- 3,007,671 11/1961 Bartlett D23/252 X

Primary Examiner—Louis S. Zarfes
Assistant Examiner—E. Watterson
Attorney, Agent, or Firm—Elaine Brenner Robinson; Ann M. Knab

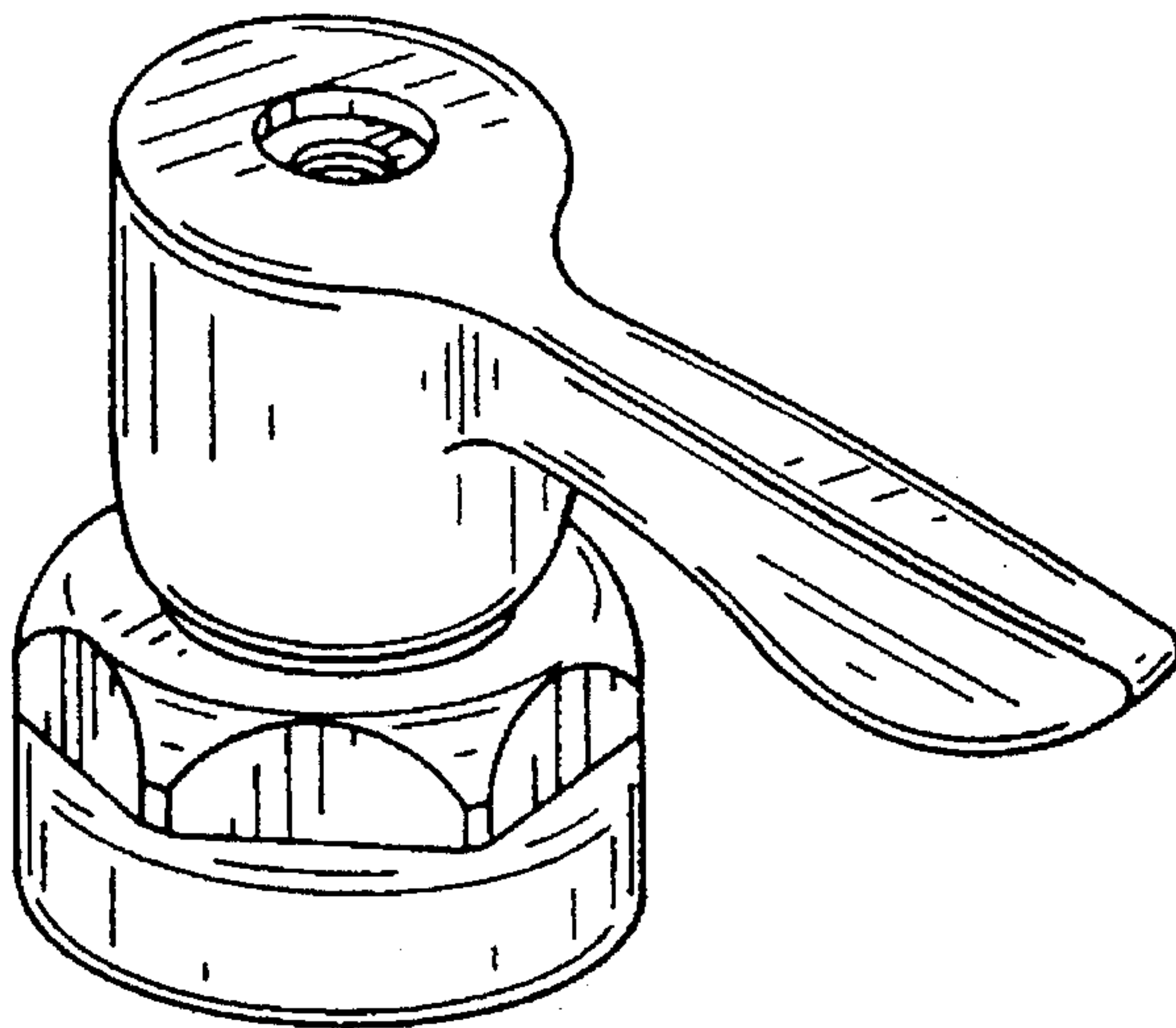
[57] **CLAIM**

The ornamental design for a faucet handle, as shown and described.

DESCRIPTION

FIG. 1 is a perspective view of a faucet handle showing my new design;
FIG. 2 is a rear elevational view thereof;
FIG. 3 is a left side elevational view thereof, the right side view being a mirror image of the left side;
FIG. 4 is a top plan view thereof;
FIG. 5 is a bottom plan thereof; and,
FIG. 6 is a front elevational view.

1 Claim, 2 Drawing Sheets



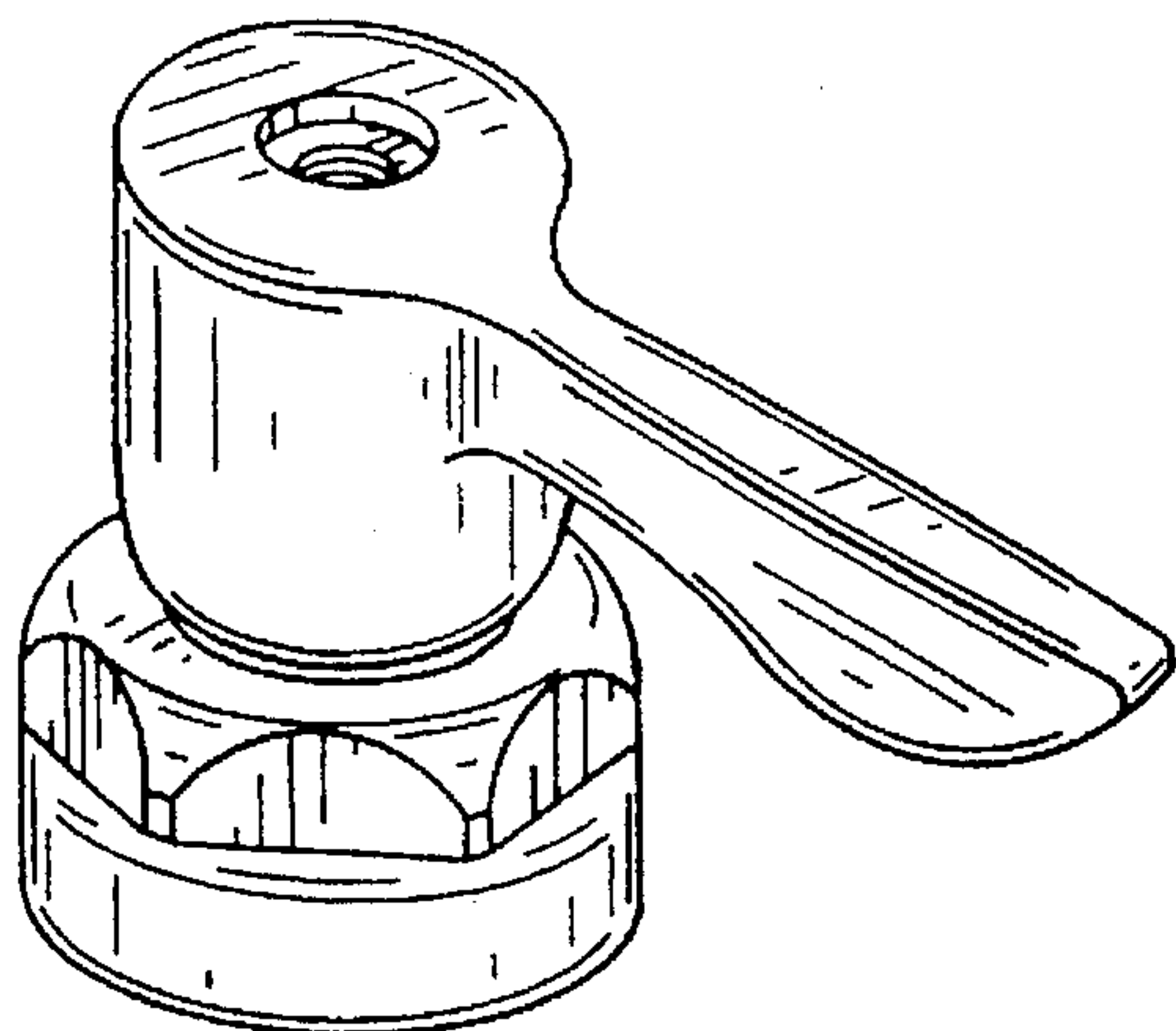


FIG. 1

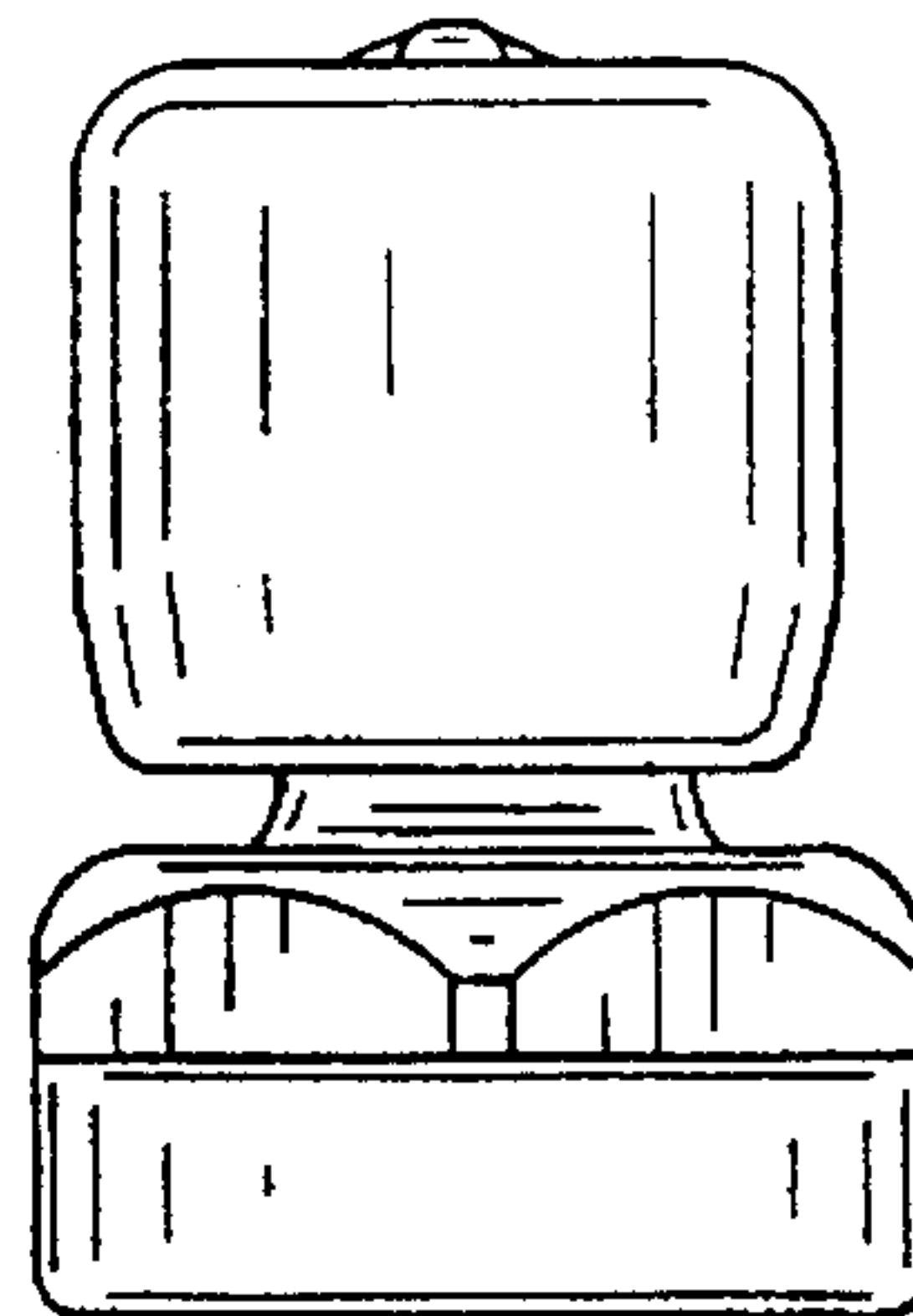


FIG. 2

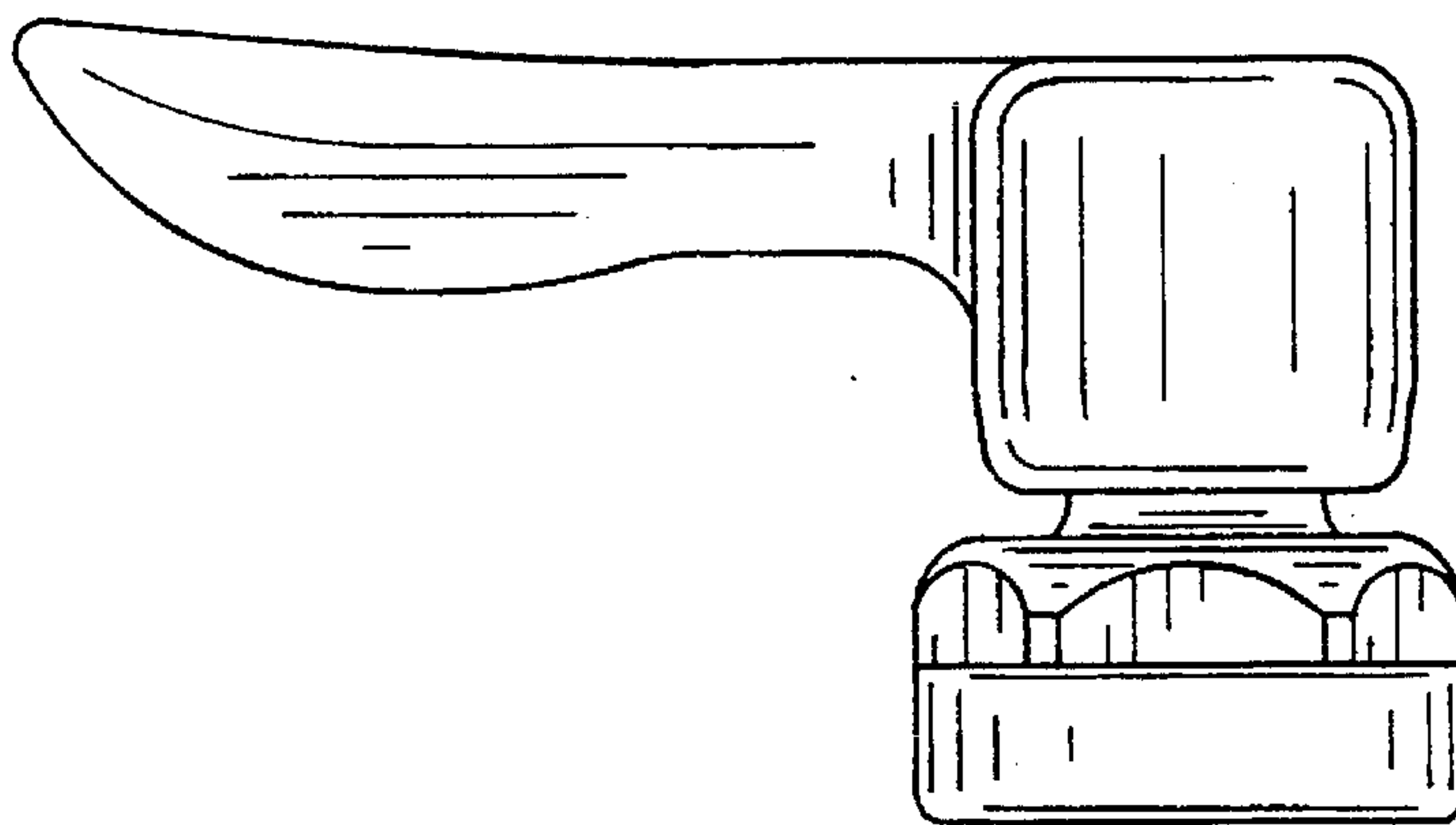


FIG. 3

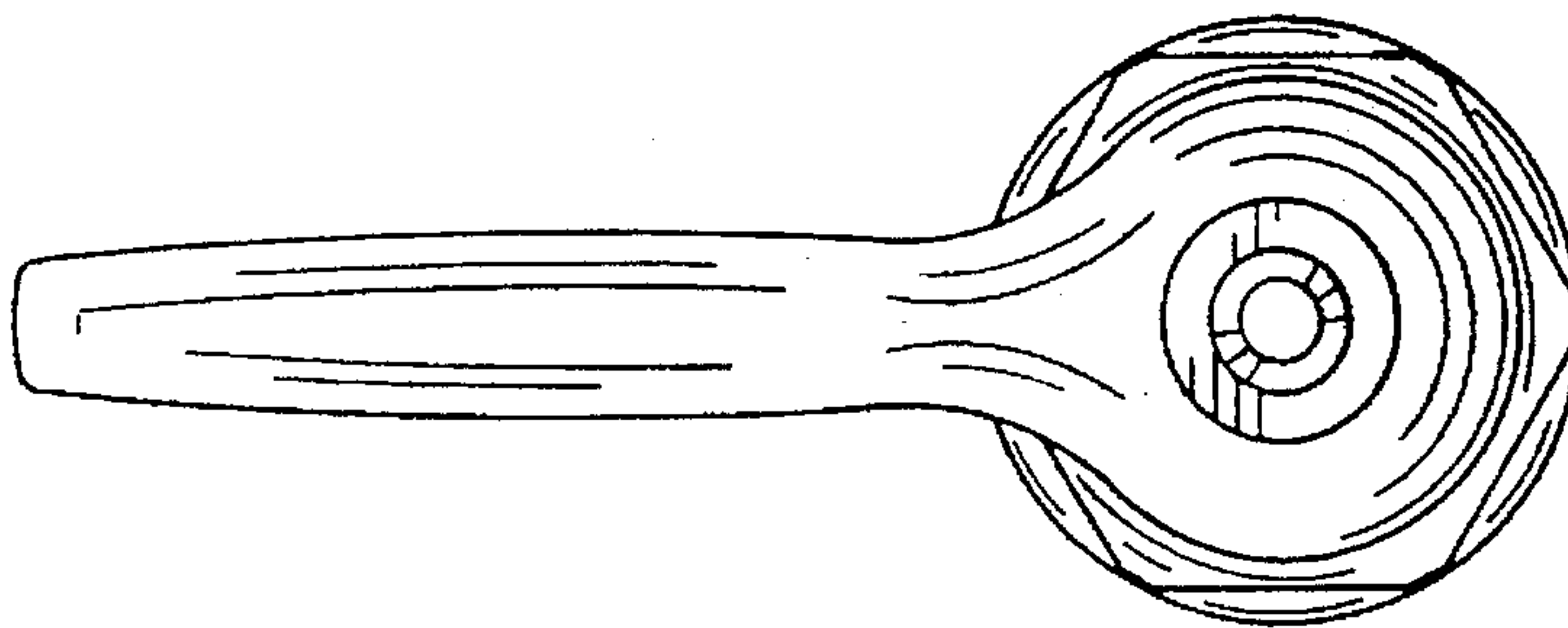


FIG. 4

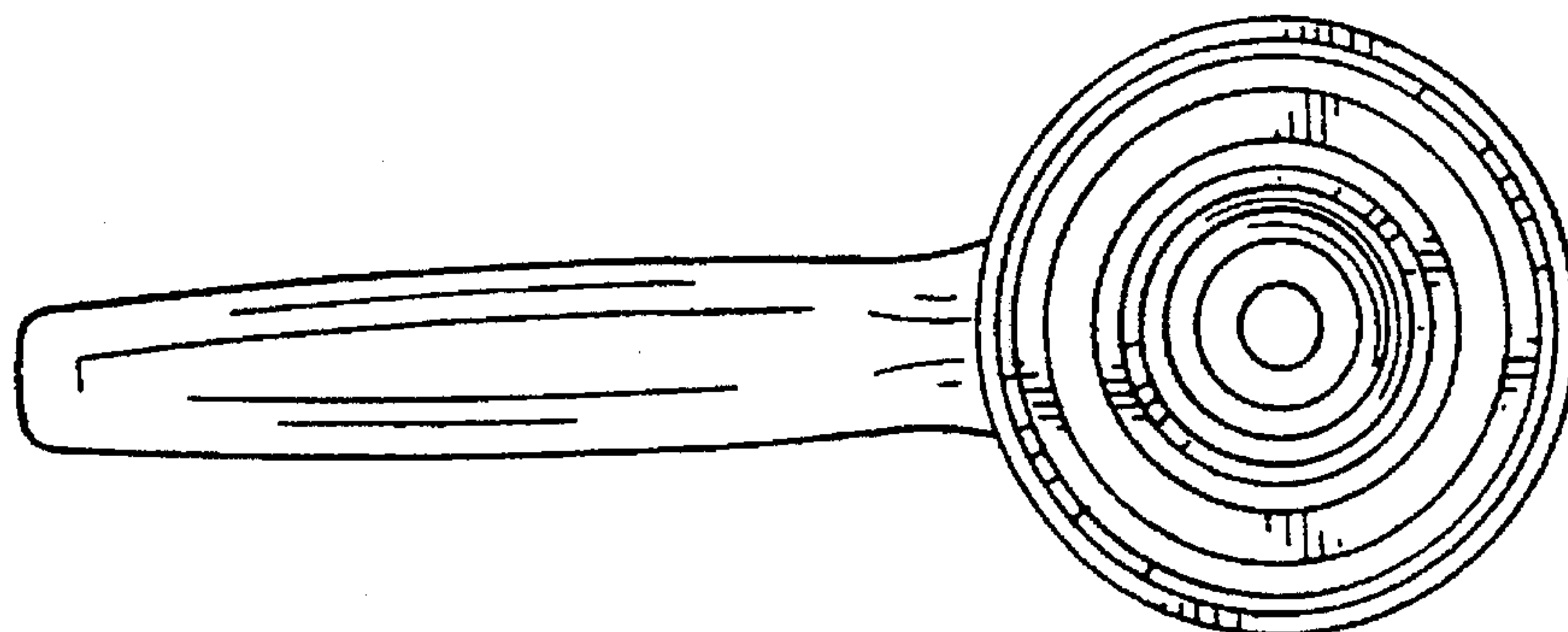


FIG. 5

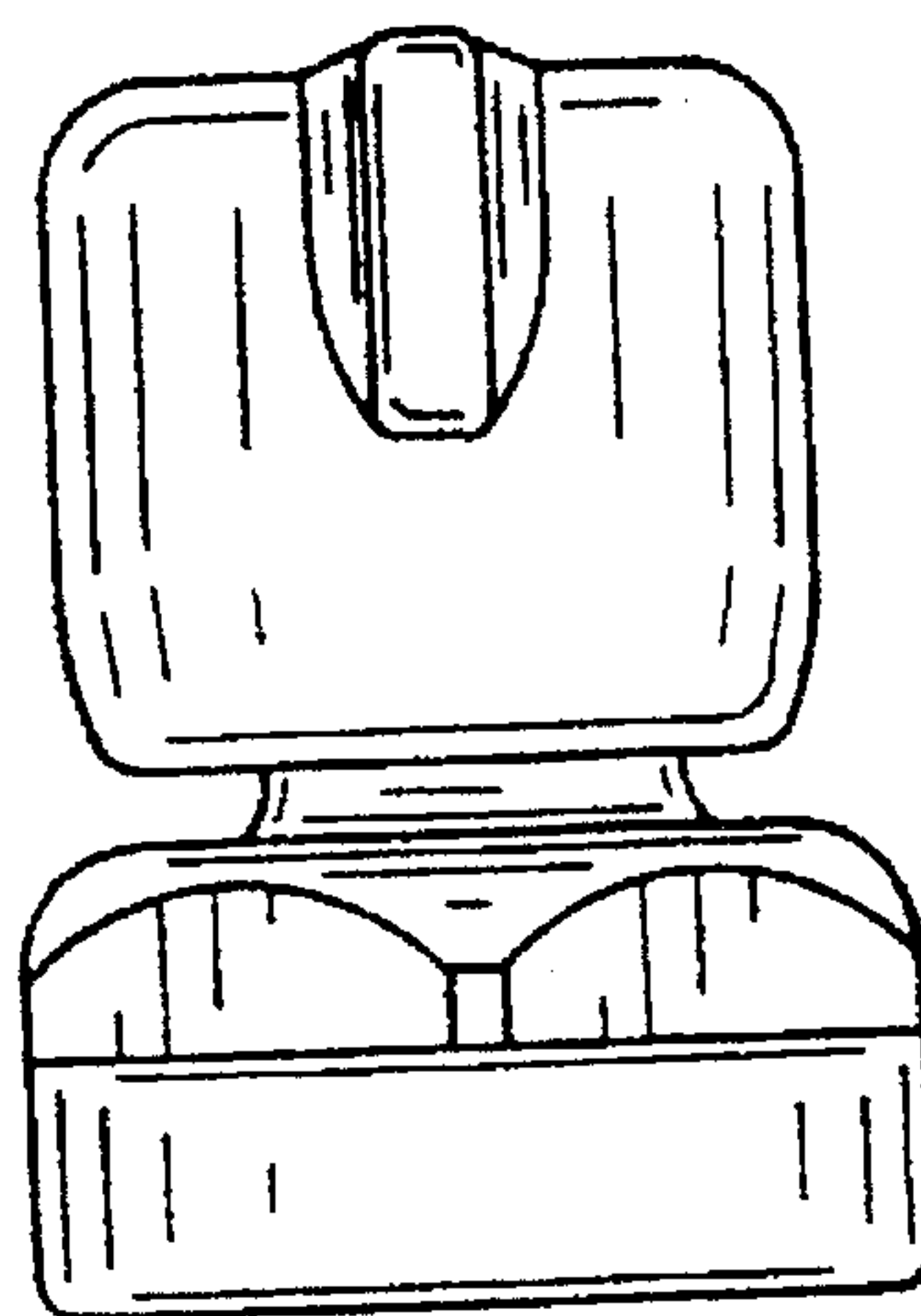


FIG. 6