



US00D375781S

United States Patent [19]
Caldwell

[11] **Patent Number: Des. 375,781**

[45] **Date of Patent: **Nov. 19, 1996**

[54] **FLOATING FISHING TACKLE CARRIER**

5,010,681 4/1991 Cox, Jr. 43/54.1 X
5,402,596 4/1995 Gillming, Jr. 43/54.1

[76] Inventor: **Claude A. Caldwell**, 9900 Ulmerton Rd., Largo, Fla. 33771

Primary Examiner—Doris V. Coles
Attorney, Agent, or Firm—Harold D. Shall

[**] Term: **14 Years**

[57] **CLAIM**

[21] Appl. No.: **46,047**

The ornamental design for a floating fishing tackle carrier, as shown.

[22] Filed: **Nov. 6, 1995**

[52] U.S. Cl. **D22/134**

DESCRIPTION

[58] **Field of Search** D22/134, 146,
D22/199; 43/55, 54.1; D12/316; D21/237;
224/920; 206/315.11; 441/129

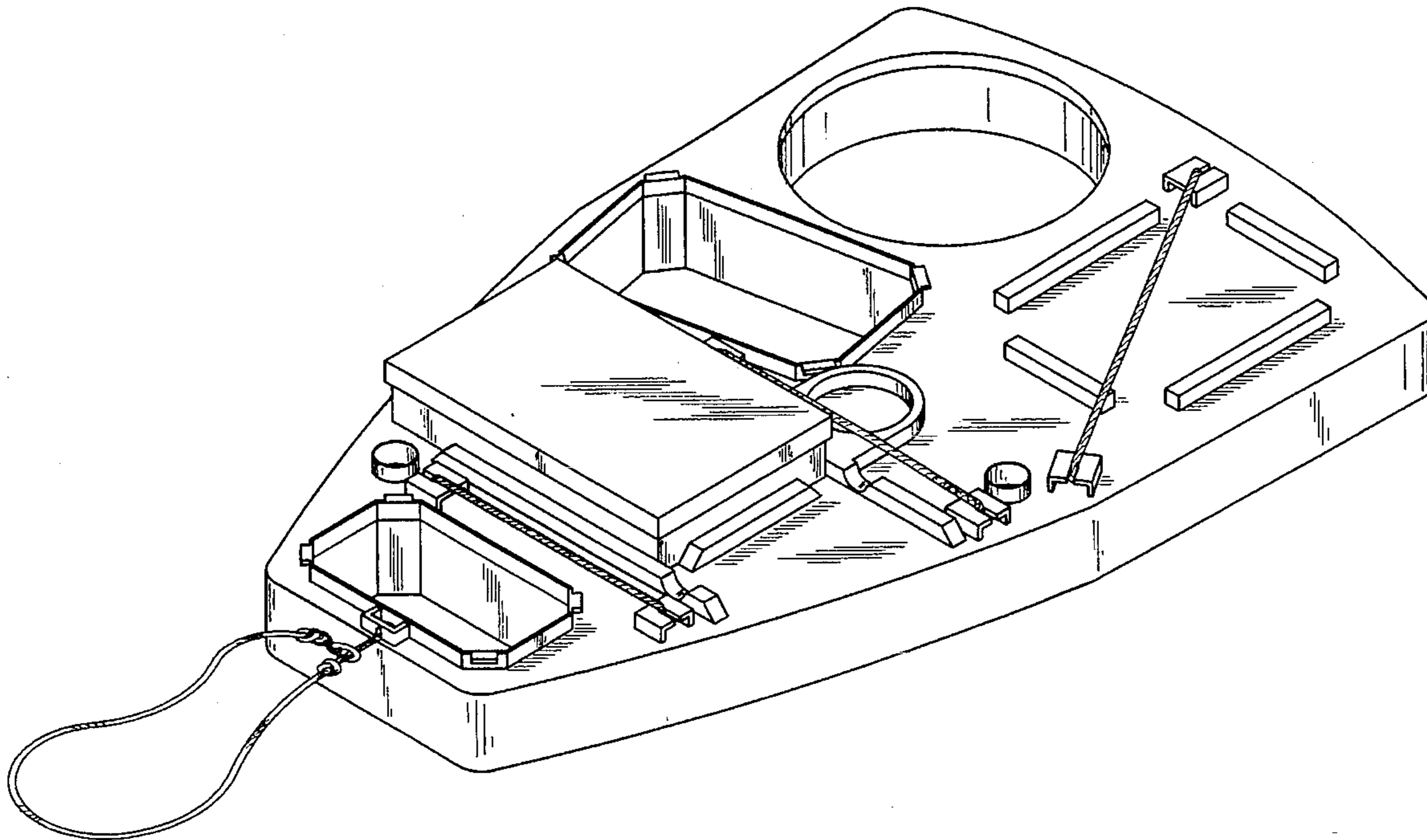
FIG. 1 is a perspective view of a floating fishing tackle carrier showing my new design;
FIG. 2 is a front elevational view;
FIG. 3 is a rear elevational view;
FIG. 4 is a left side elevational view;
FIG. 5 is a right side elevational view;
FIG. 6 is a top plan view; and,
FIG. 7 is a bottom plan view.

[56] **References Cited**

U.S. PATENT DOCUMENTS

D. 254,503	3/1980	Belasquez	D22/134 X
D. 309,937	8/1990	Baxter	D22/146 X
3,678,611	7/1972	Files	43/54.1
4,638,593	1/1987	Garcia	43/54.1
4,996,790	3/1991	Ruggles	43/54.1

1 Claim, 5 Drawing Sheets



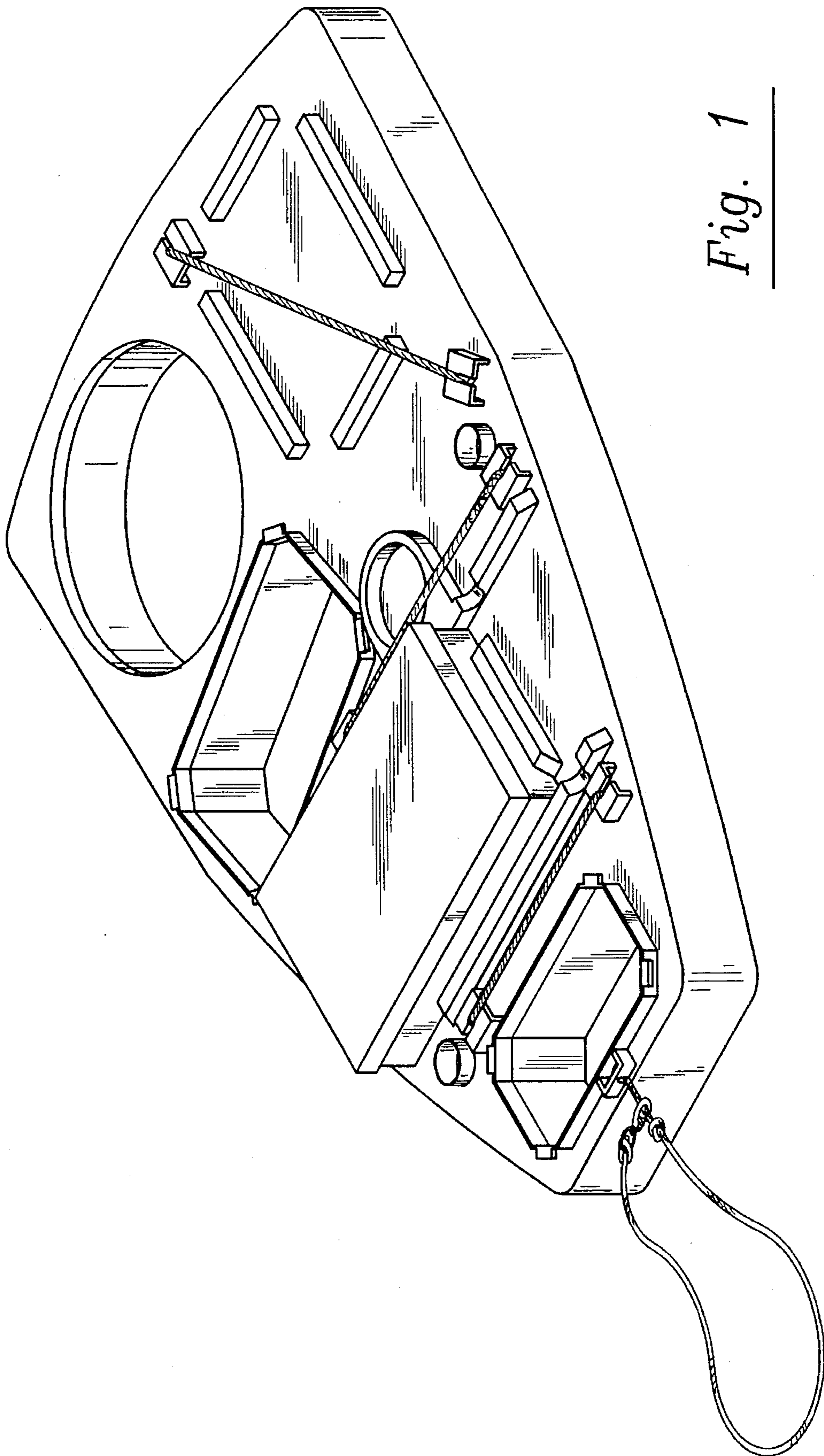


Fig. 1

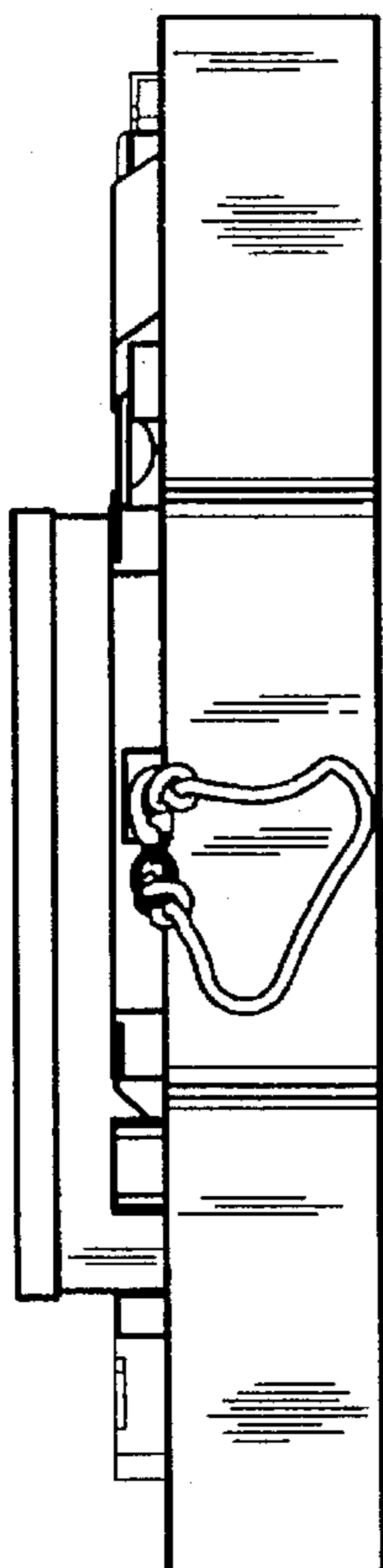


Fig. 2

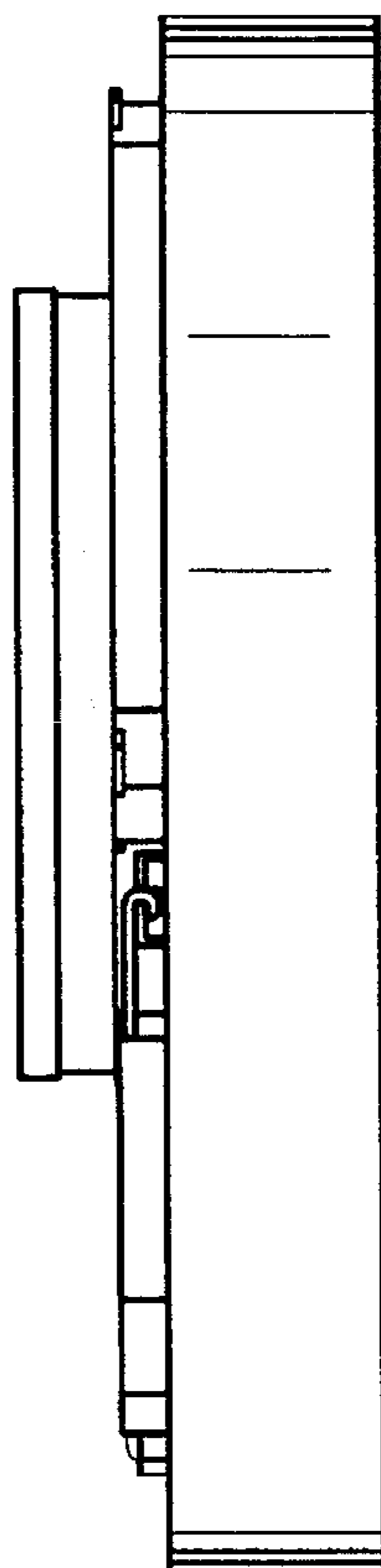


Fig. 3

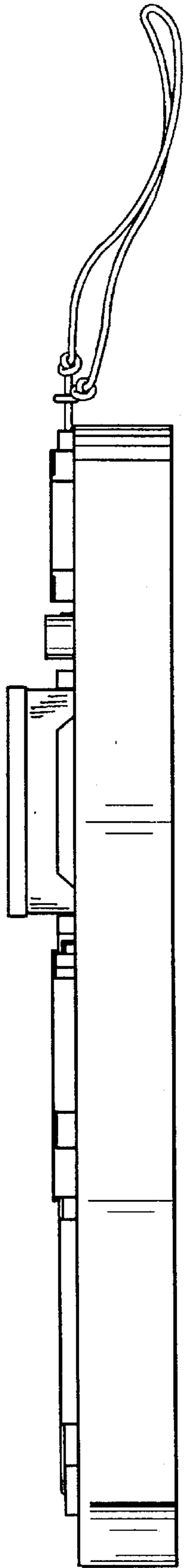


Fig. 4

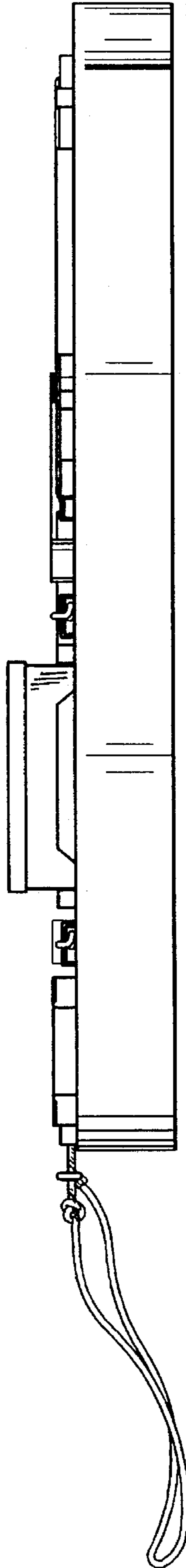


Fig. 5

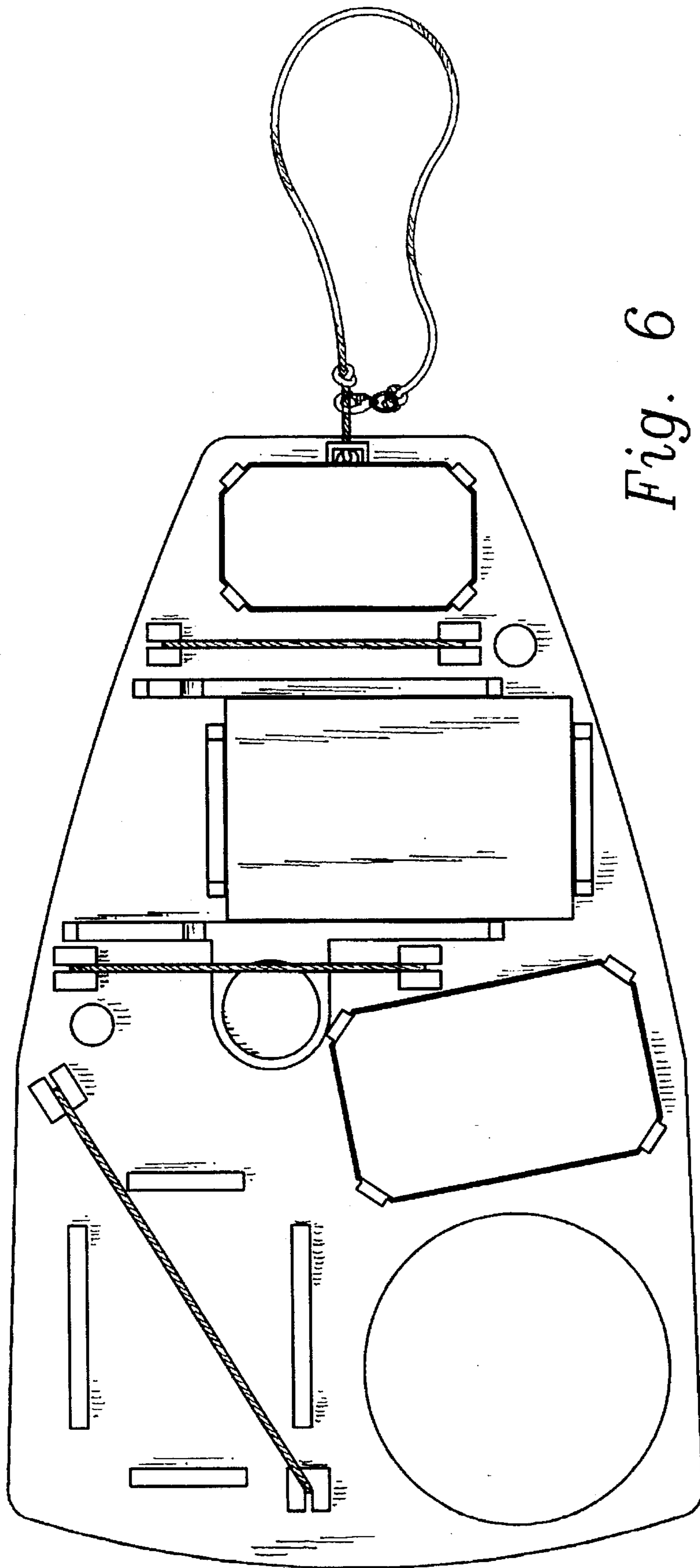


Fig. 6

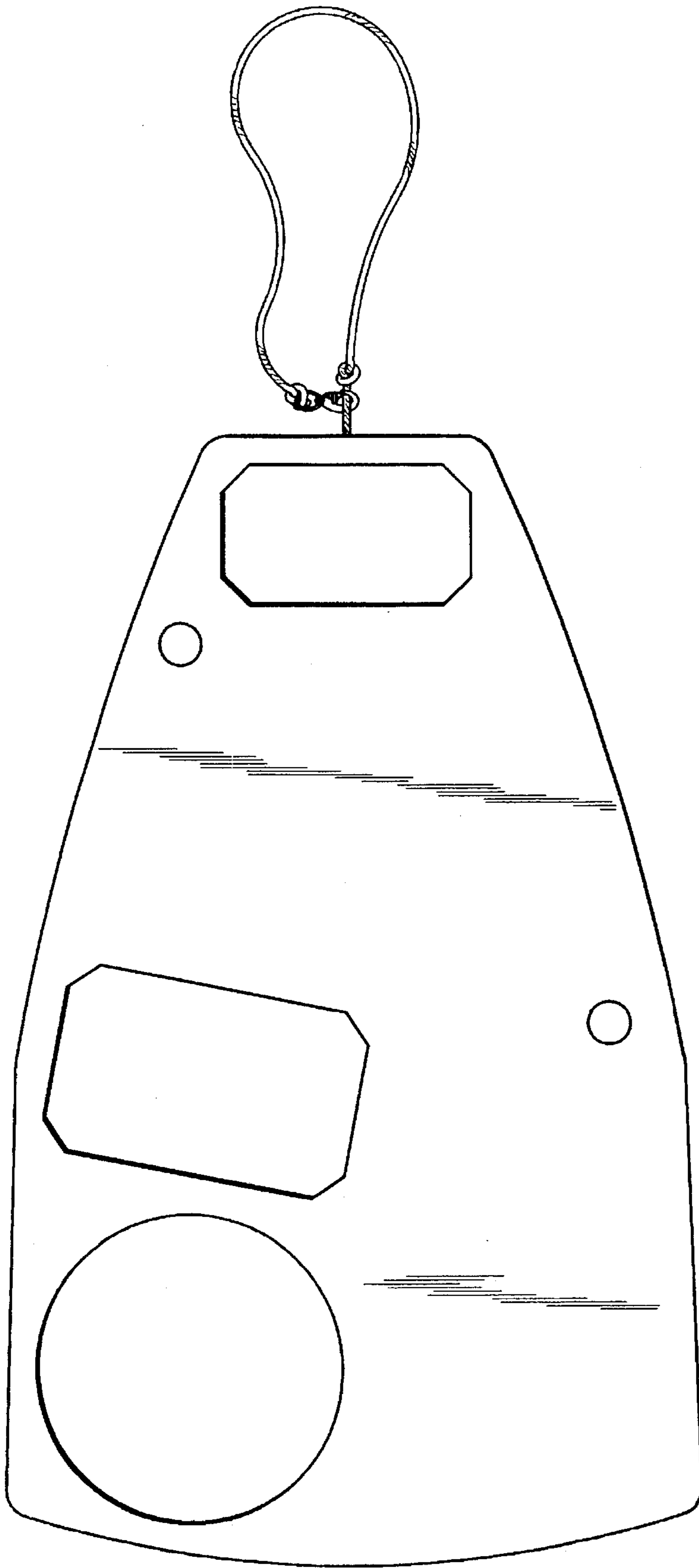


Fig. 7