



US00D375780S

United States Patent [19]

Dewberry

[11] Patent Number: **Des. 375,780**

[45] Date of Patent: ****Nov. 19, 1996**

[54] **INSECT REPELLER**

[76] Inventor: **George M. Dewberry**, 404 Baldwin St., Greenville, Mich. 48838

[**] Term: **14 Years**

[21] Appl. No.: **43,394**

[22] Filed: **Sep. 1, 1995**

[52] U.S. Cl. **D22/122; D22/120**

[58] Field of Search **D22/119, 120, D22/123; 43/107, 112, 131, 124, 132.1**

[56] **References Cited**

U.S. PATENT DOCUMENTS

D. 369,395 4/1996 Dewberry D22/122
3,911,612 10/1975 Sorenson et al. 43/132.1

Primary Examiner—Doris V. Coles
Attorney, Agent, or Firm—Varnum, Riddering, Schmidt & Howlett LLP

[57] **CLAIM**

The ornamental design for an insect repeller, as shown and described.

DESCRIPTION

FIG. 1 is a perspective view of an insect repeller which embodies my design;

FIG. 2 is a top plan view thereof; the bottom plan view being a mirror image thereof;

FIG. 3 is a front elevational view thereof;

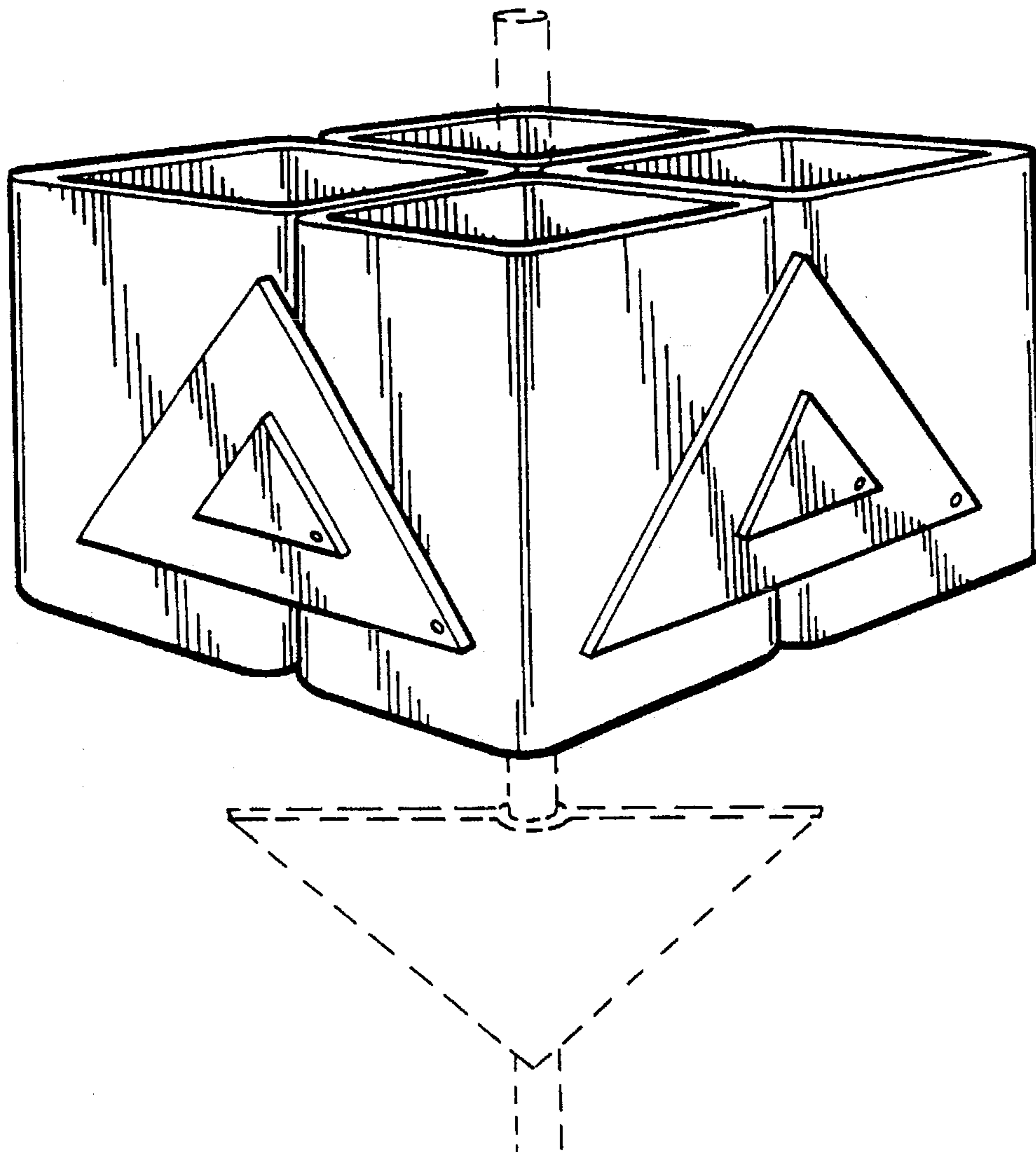
FIG. 4 is a left side view thereof;

FIG. 5 is a right side view thereof; and,

FIG. 6 is a rear elevational view thereof.

The broken line showing of environment in FIG. 1 is for illustrative purposes only and forms no part of claimed design.

1 Claim, 3 Drawing Sheets



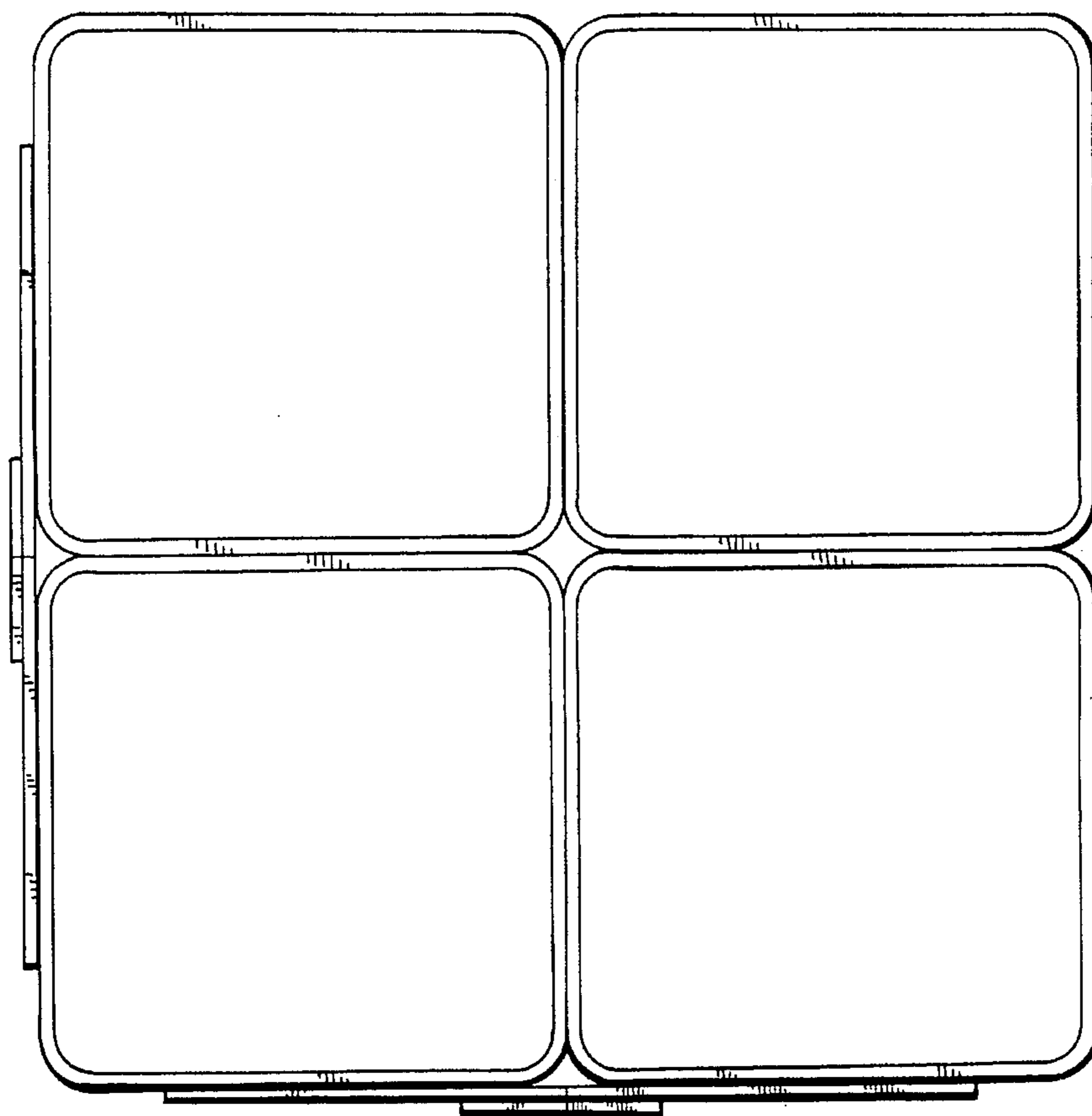


Fig. 2

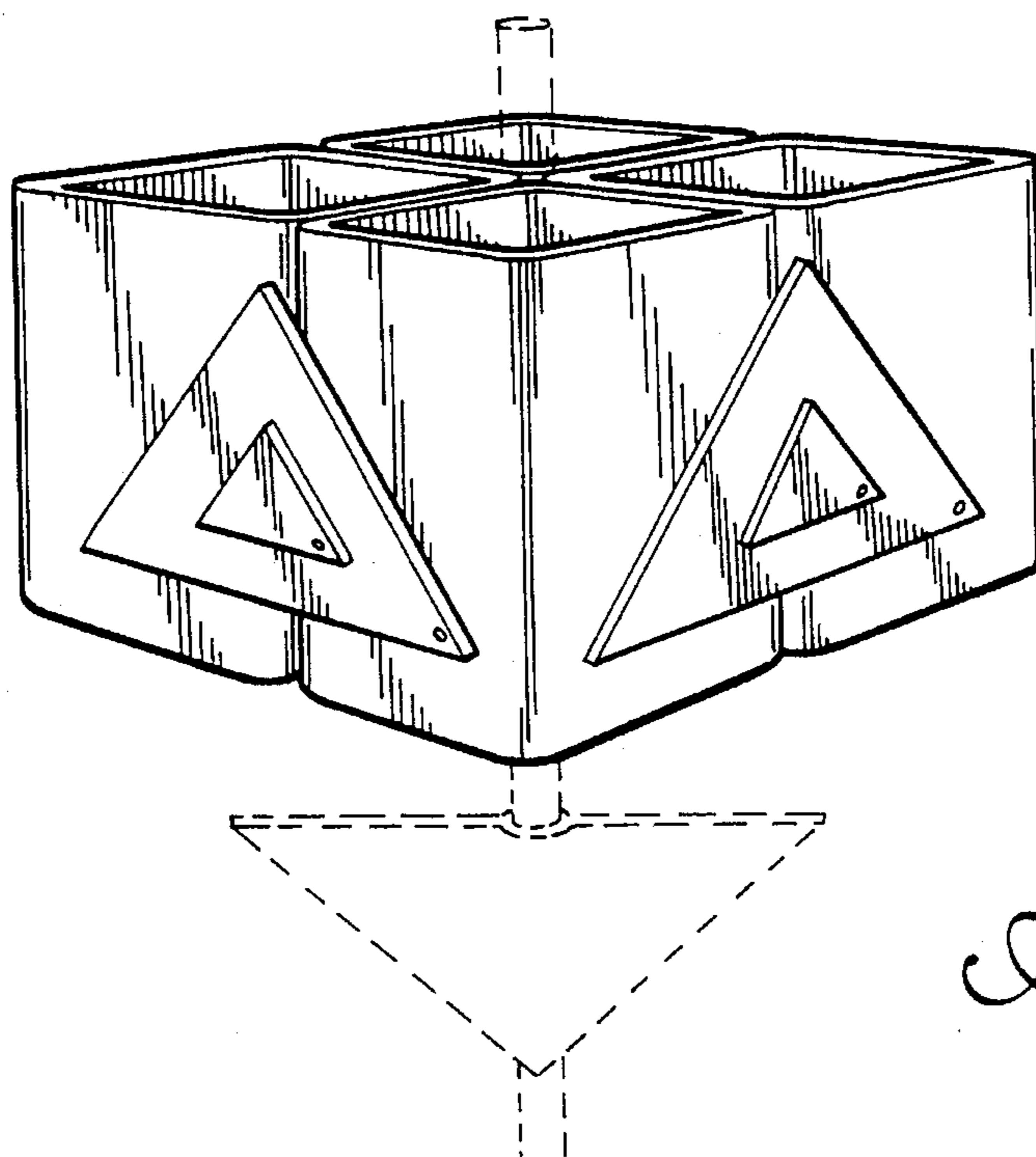


Fig. 1

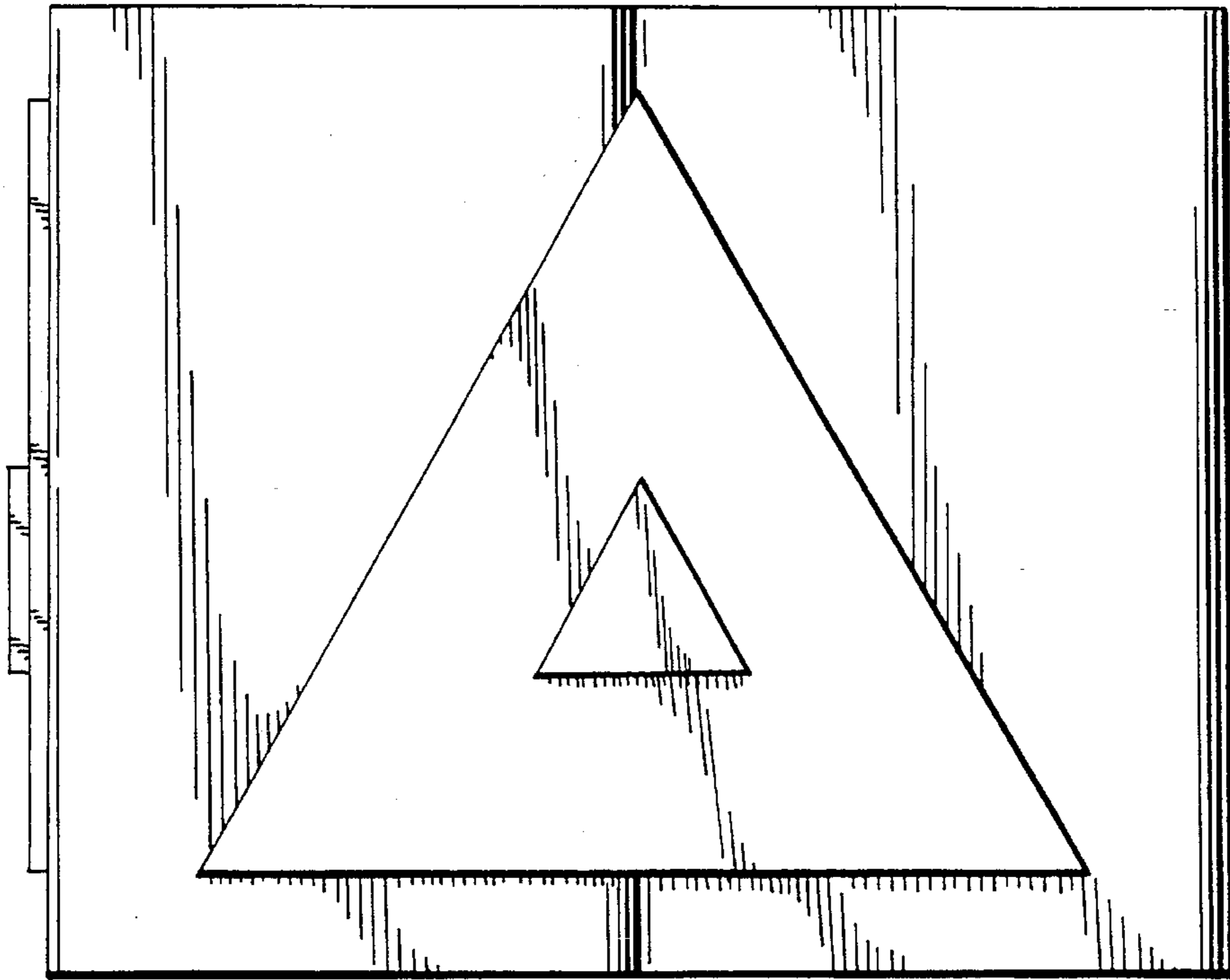


Fig. 3

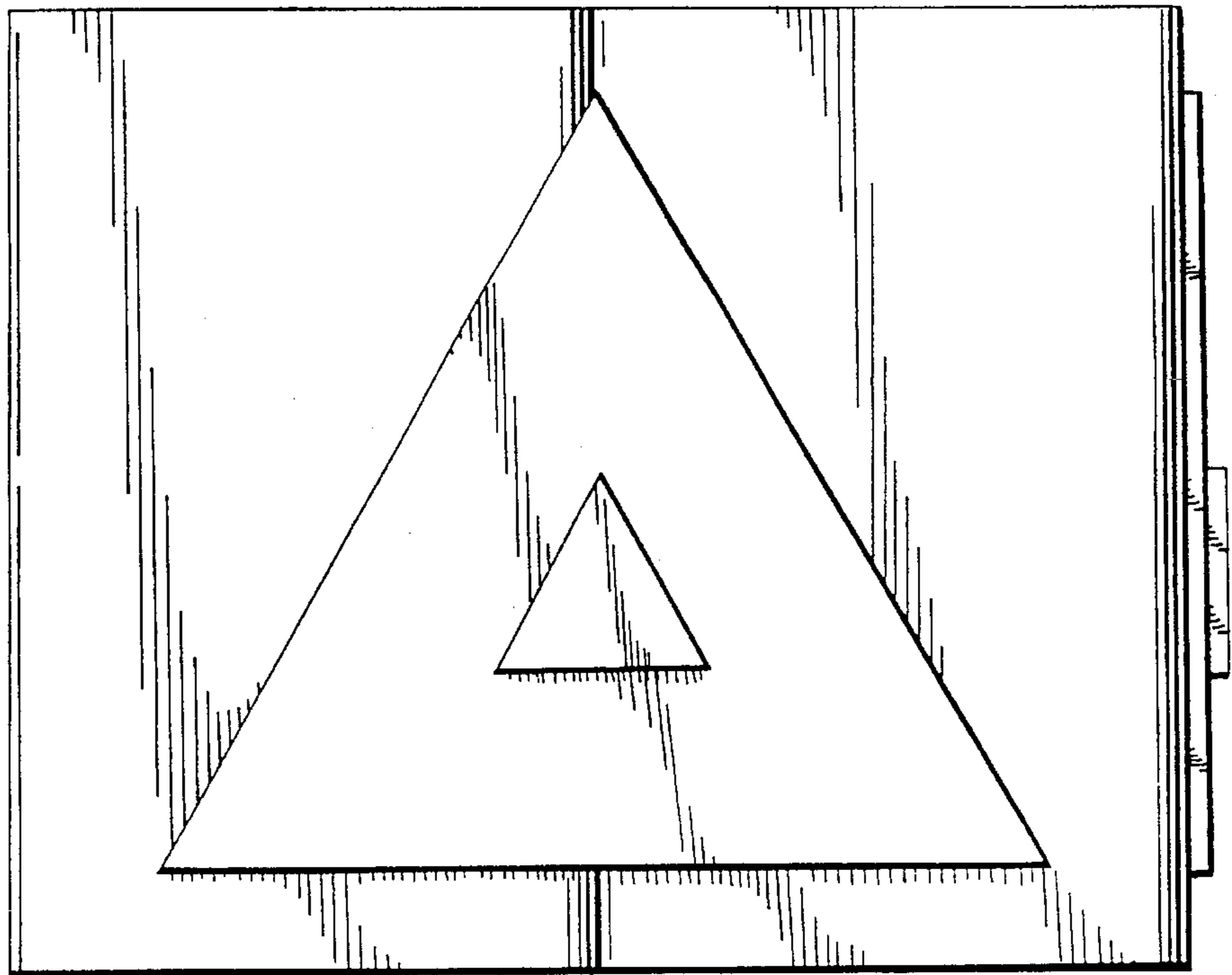


Fig. 4

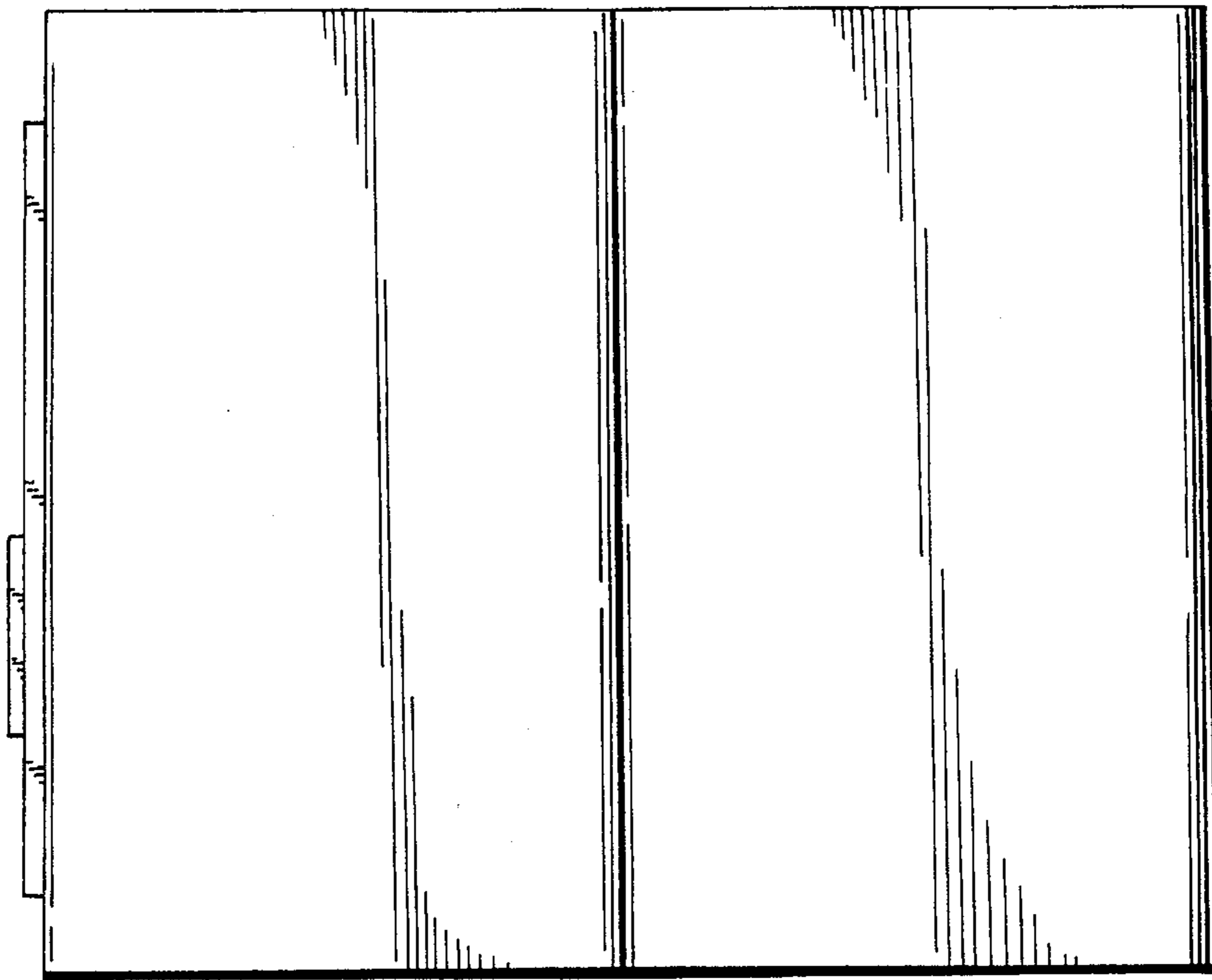


Fig. 5

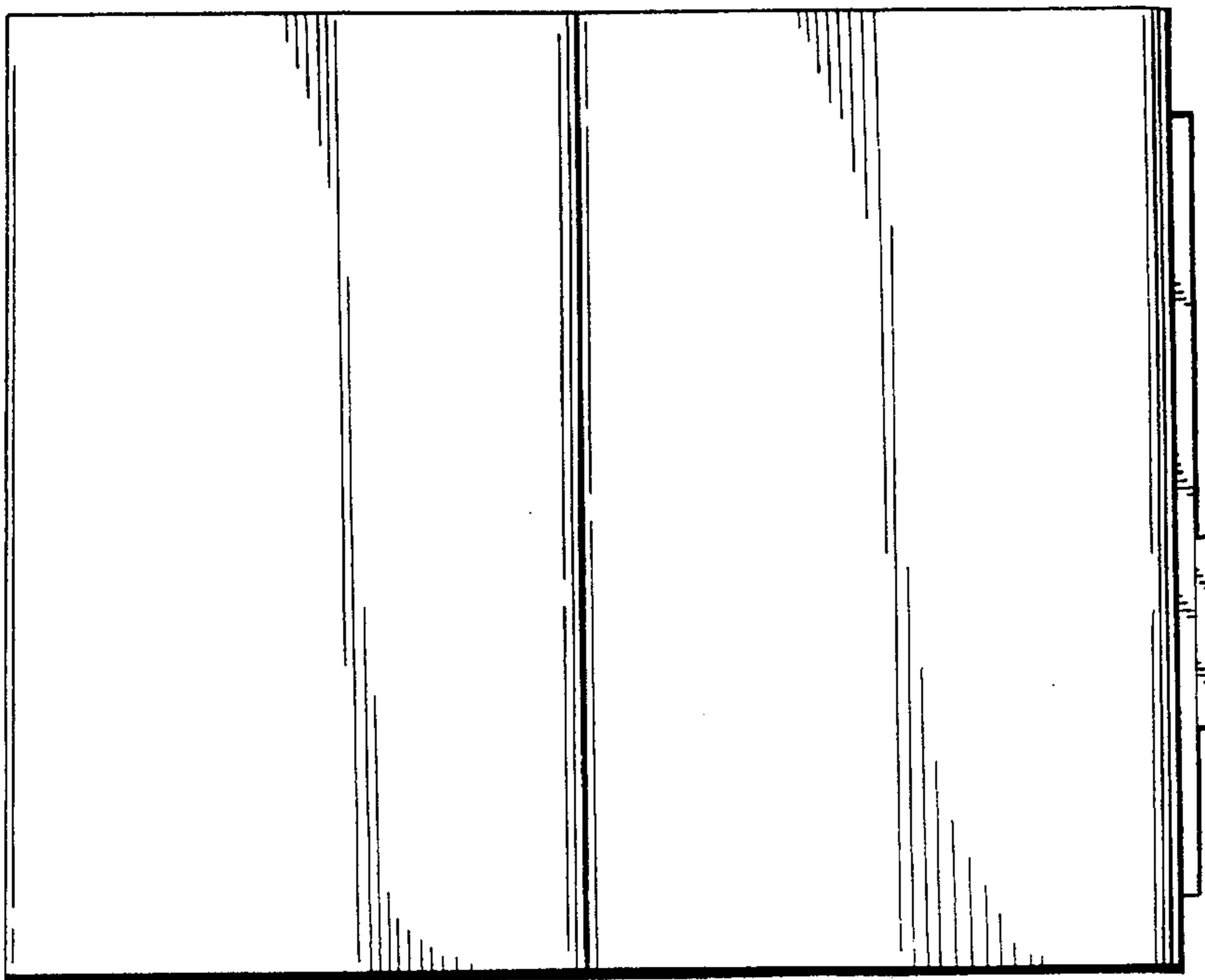


Fig. 6