



US00D375778S

United States Patent [19]
Hasselbusch

[11] **Patent Number:** **Des. 375,778**

[45] **Date of Patent:** ****Nov. 19, 1996**

[54] **FIREARM CARTRIDGE AND STORAGE
MAGAZINE**

[76] Inventor: **Harold Hasselbusch**, 144-21 68th Dr.,
Flushing, N.Y. 11367

[**] Term: **14 Years**

[21] Appl. No.: **48,041**

[22] Filed: **Dec. 18, 1995**

[52] **U.S. Cl.** **D22/116; D22/108**

[58] **Field of Search** **D22/100, 108,**
D22/116, 199; 42/87, 89; 224/931; 89/34;
206/3; 211/64

3,498,178	3/1970	Meyer et al.	89/34
4,254,571	3/1981	Peter et al.	42/89
4,468,875	9/1984	Harrison et al.	D22/108 X
4,901,463	2/1990	Chestnut	42/50
5,456,153	10/1995	Bentley et al.	89/34 X

Primary Examiner—Louis S. Zarfes
Assistant Examiner—Monica A. Hannon
Attorney, Agent, or Firm—Nicholas J. Garofalo

[57] **CLAIM**

The ornamental design for a firearm cartridge and storage magazine, as shown and described.

DESCRIPTION

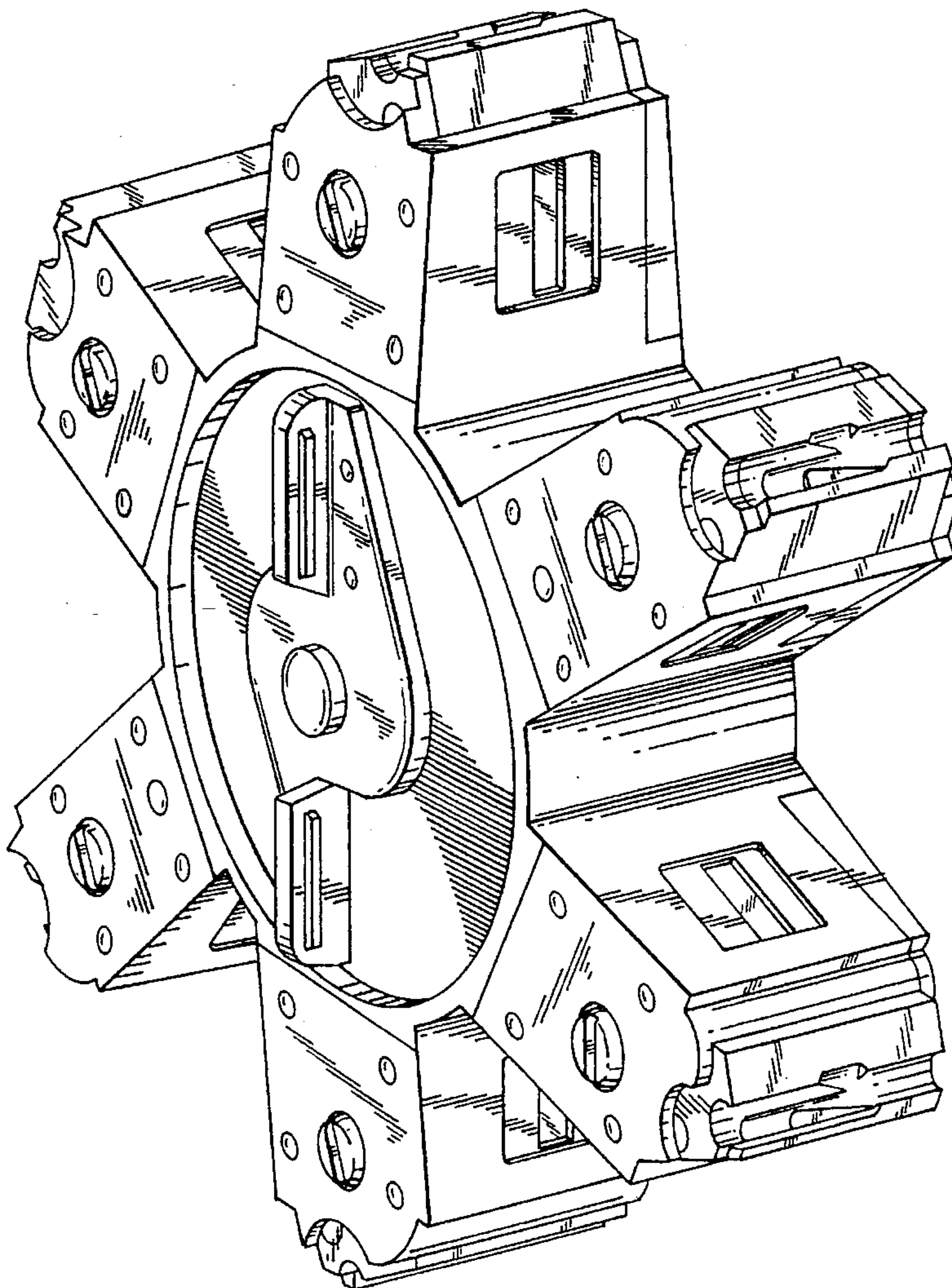
FIG. 1 is a front perspective view of a firearm cartridge and storage magazine showing my new design;
FIG. 2 is front elevational view thereof;
FIG. 3 shows what is both a top and a bottom plan view of FIG. 2;
FIG. 4 is a rear elevational view thereof; and,
FIG. 5 shows what is both a right and left side view of FIG. 2.

[56] **References Cited**

U.S. PATENT DOCUMENTS

D. 256,489	8/1980	Stokes	D22/108
D. 274,170	6/1984	Retzlaff et al.	D22/108
D. 362,896	10/1995	Hasselbusch	D22/108
1,038,355	9/1912	Hamilton	206/3
1,350,619	8/1920	Payne	42/18
3,273,275	9/1966	Badali	42/50

1 Claim, 3 Drawing Sheets



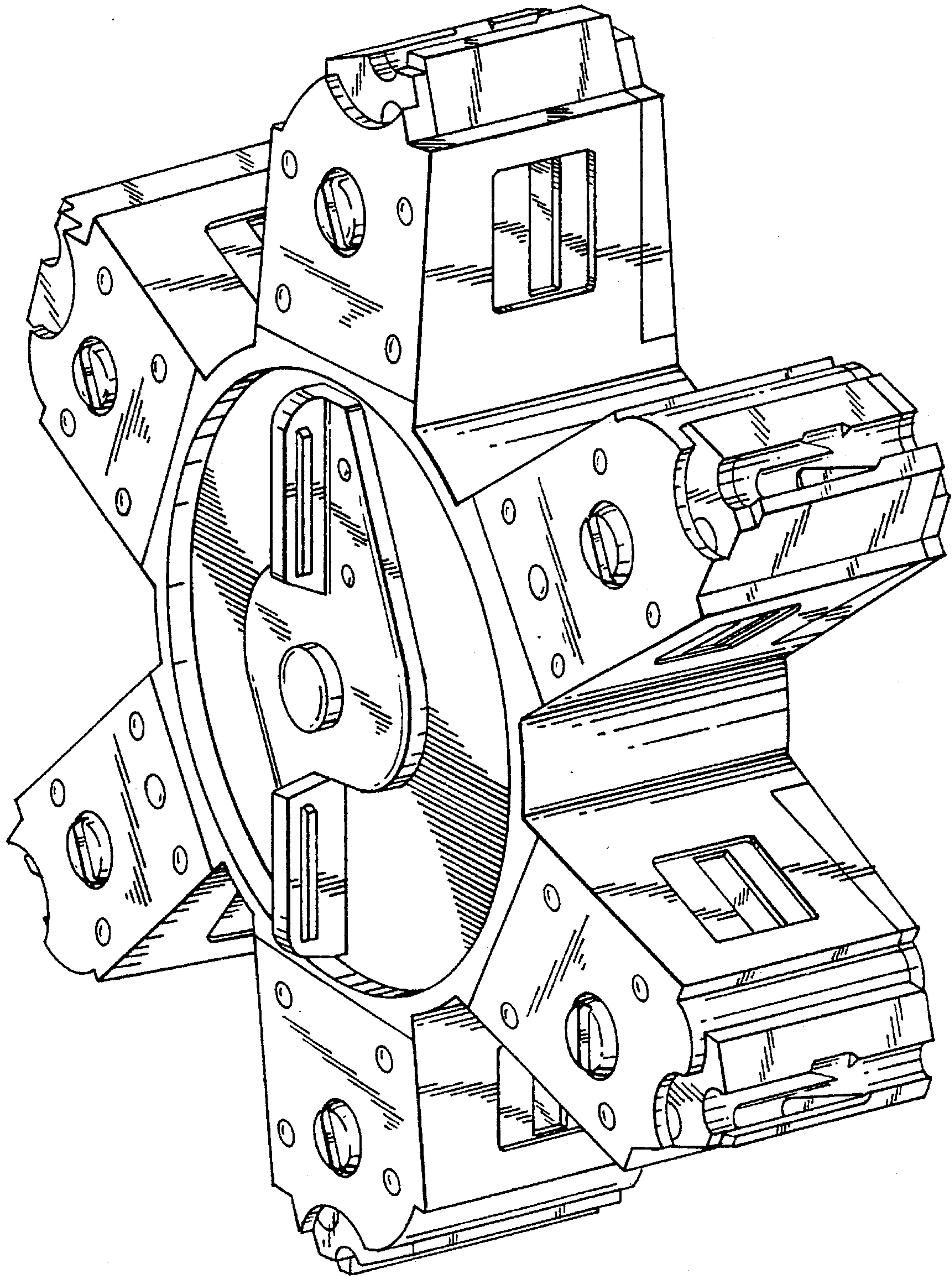


Fig. 1

Fig. 2

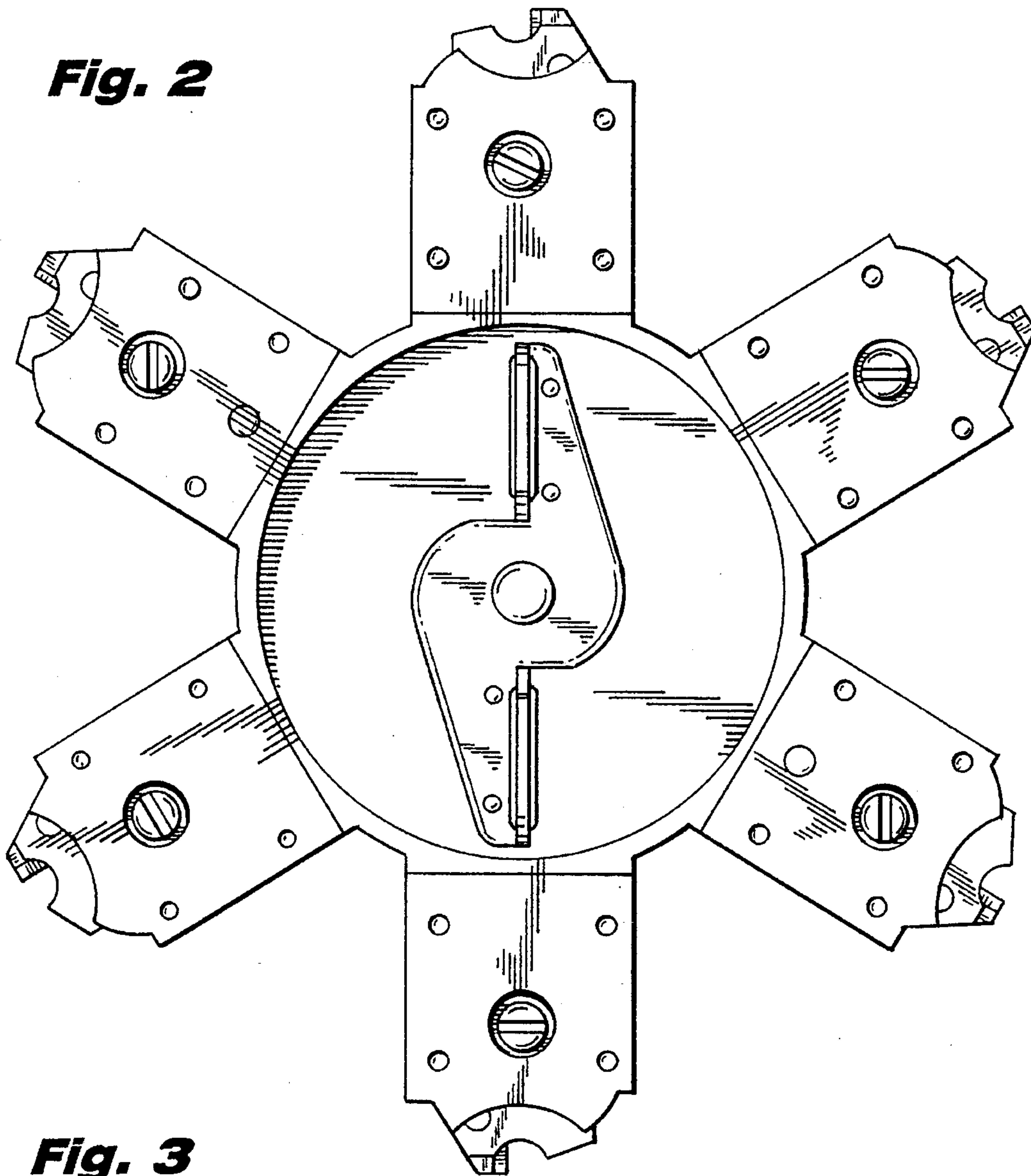
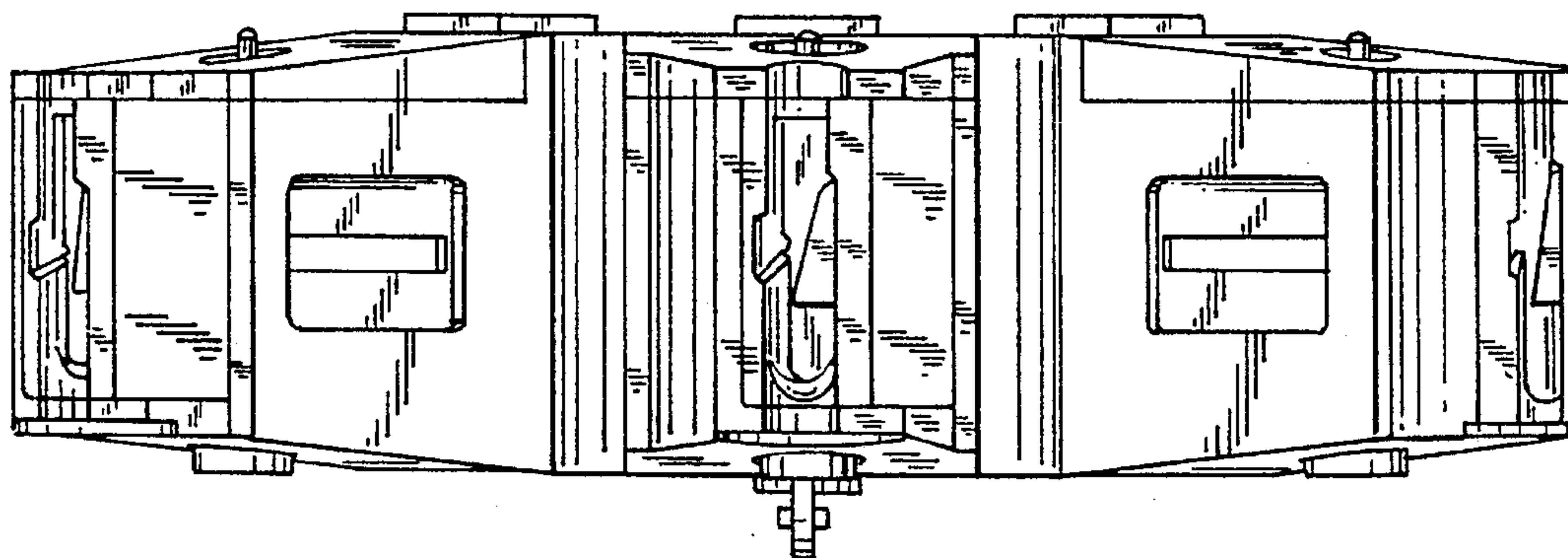


Fig. 3



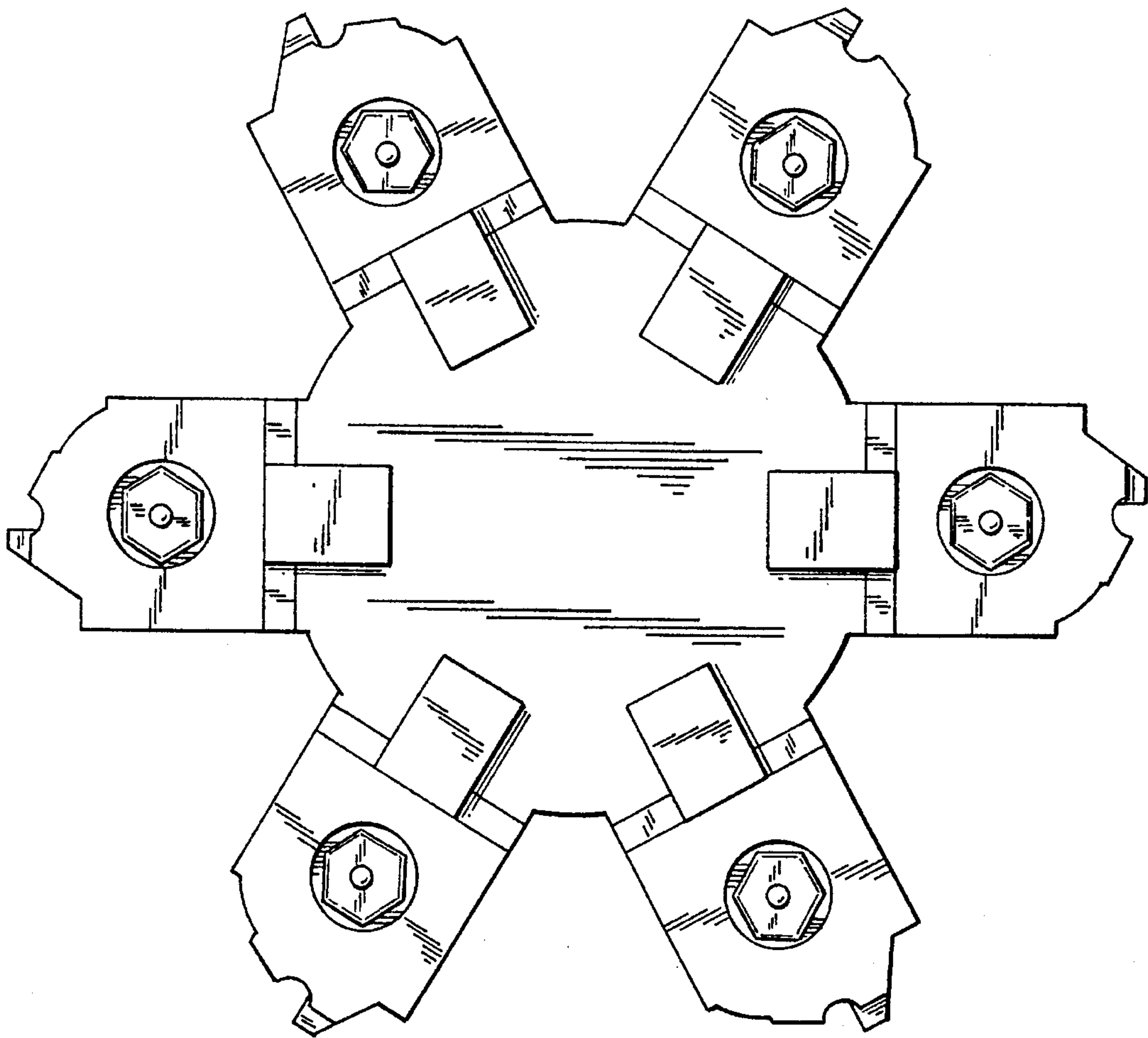


Fig. 4

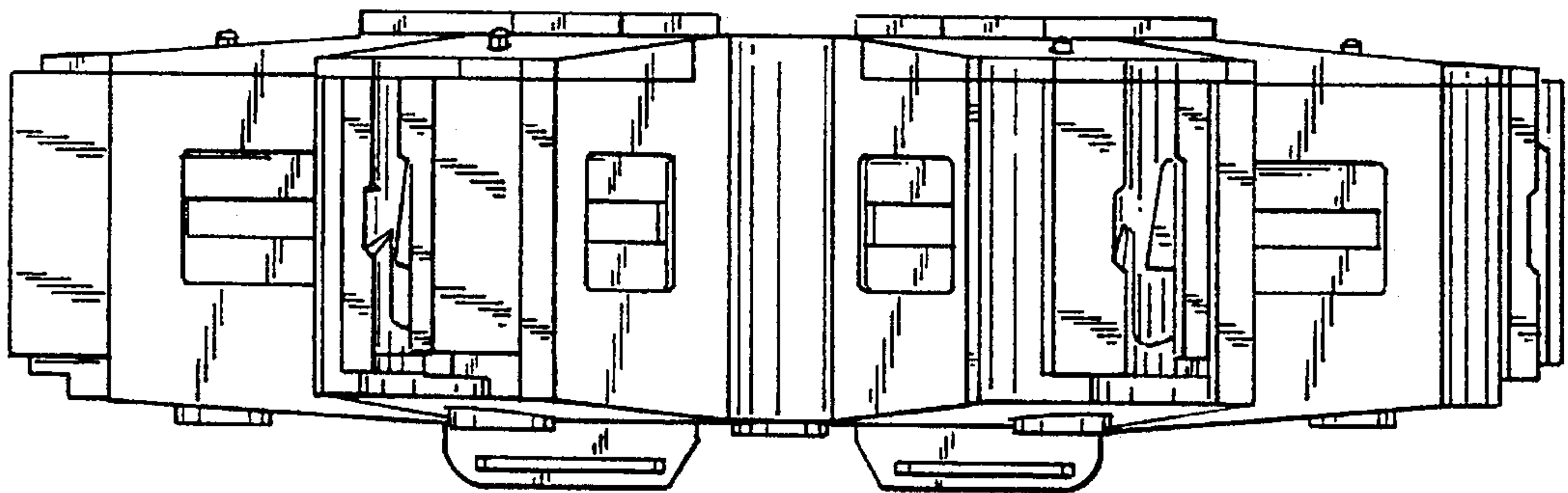


Fig. 5