



US00D375775S

# United States Patent [19] King

[11] Patent Number: **Des. 375,775**

[45] Date of Patent: **\*\*Nov. 19, 1996**

[54] **COMPONENT OF A PLAYGROUND SLIDE**

[75] Inventor: **Steven G. King**, Long Lake, Minn.

[73] Assignee: **Landscape Structures Inc.**, Delano, Minn.

[\*\*] Term: **14 Years**

[21] Appl. No.: **40,212**

[22] Filed: **Jun. 13, 1995**

### Related U.S. Application Data

[62] Division of Ser. No. 23,883, Jun. 2, 1994, Pat. No. Des. 371,414.

[52] U.S. Cl. .... **D21/244**

[58] Field of Search ..... **D21/240-249; 273/116, 117**

[56] **References Cited**

#### U.S. PATENT DOCUMENTS

D. 269,104	5/1983	Brown	.....	D21/244
3,302,949	2/1967	Wolfe	.	
4,149,710	4/1979	Rouchard	.	
4,211,400	7/1980	Ray	.....	472/116
4,299,171	11/1981	Larson	.....	472/117 X
4,394,173	7/1983	Aste	.	
4,487,411	12/1984	Ahrens	.	
4,811,943	3/1989	Ahrens	.	

#### FOREIGN PATENT DOCUMENTS

2135797	1/1973	Germany	.....	472/117
---------	--------	---------	-------	---------

#### OTHER PUBLICATIONS

1994 Landscape Structures Inc. catalog of park and playground equipment (pages showing exemplary slides) pp. 62, 63, 64, 73, 86 and 87.

*Primary Examiner*—Ted Shooman  
*Assistant Examiner*—Mitchell I. Siegel  
*Attorney, Agent, or Firm*—Merchant, Gould, Smith, Edell, Welter & Schmidt, P.A.

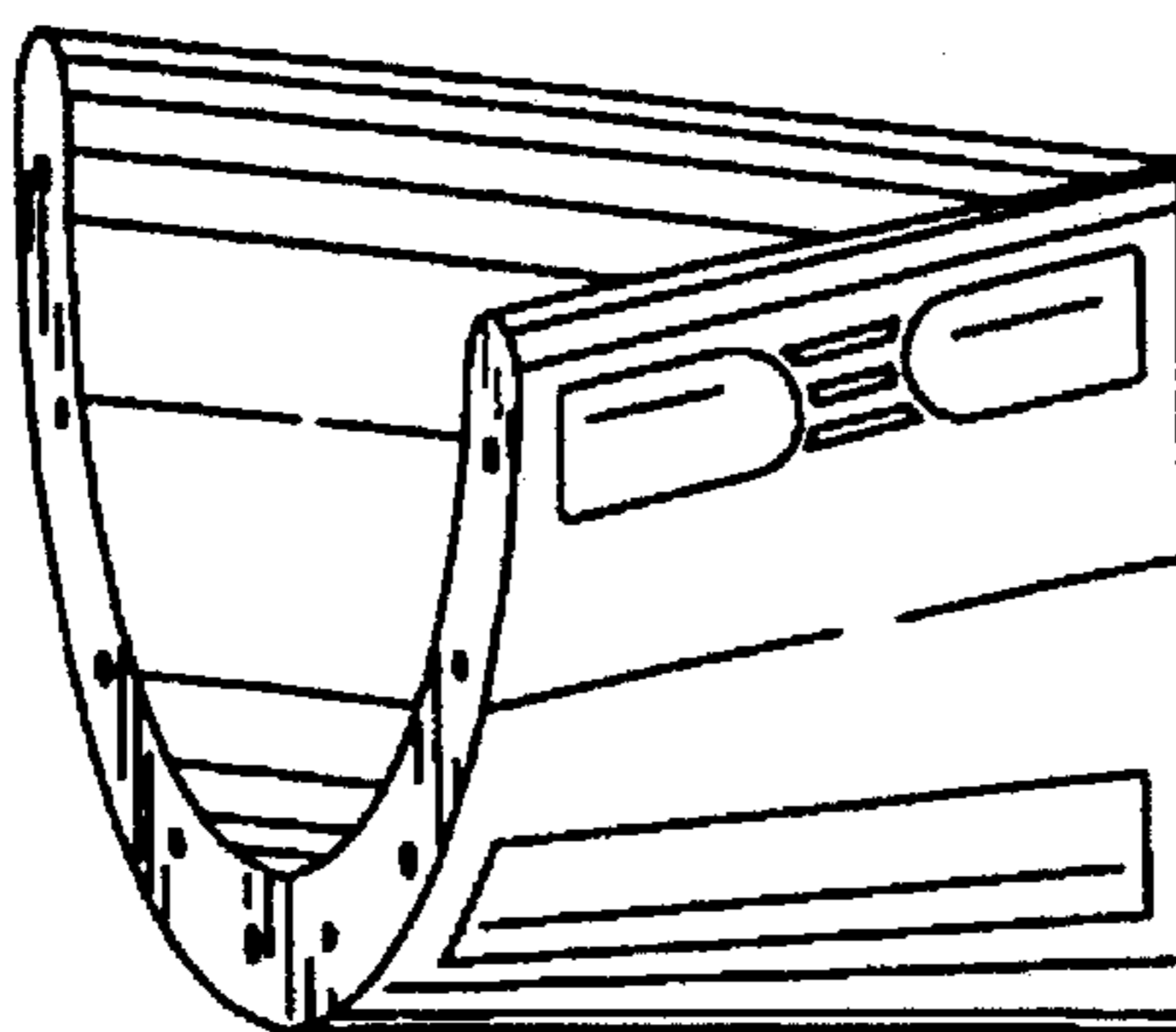
[57] **CLAIM**

The ornamental design for a component of a playground slide, as shown and described.

### DESCRIPTION

FIG. 1 is a left side elevational view of a left turning component of a playground slide showing my design; FIG. 2 is a right side elevational view of the left turning playground slide component; FIG. 3 is a top plan of the left turning playground slide component; FIG. 4 is a bottom plan of the left turning playground slide component; FIG. 5 is a front elevational view of the left turning playground slide component; FIG. 6 is a rear elevational view of the left turning playground slide component; FIG. 7 is a left side elevational view of a second embodiment of a right turning component of a playground slide as disclosed in FIG. 1; and FIG. 8 is a right side elevational view of the right turning playground slide component; FIG. 9 is a top plan of the right turning playground slide component; FIG. 10 is a bottom plan of the right turning playground slide component; FIG. 11 is a front elevational view of the right turning playground slide component; and, FIG. 12 is a rear elevational view of the right turning playground slide component.

**1 Claim, 2 Drawing Sheets**



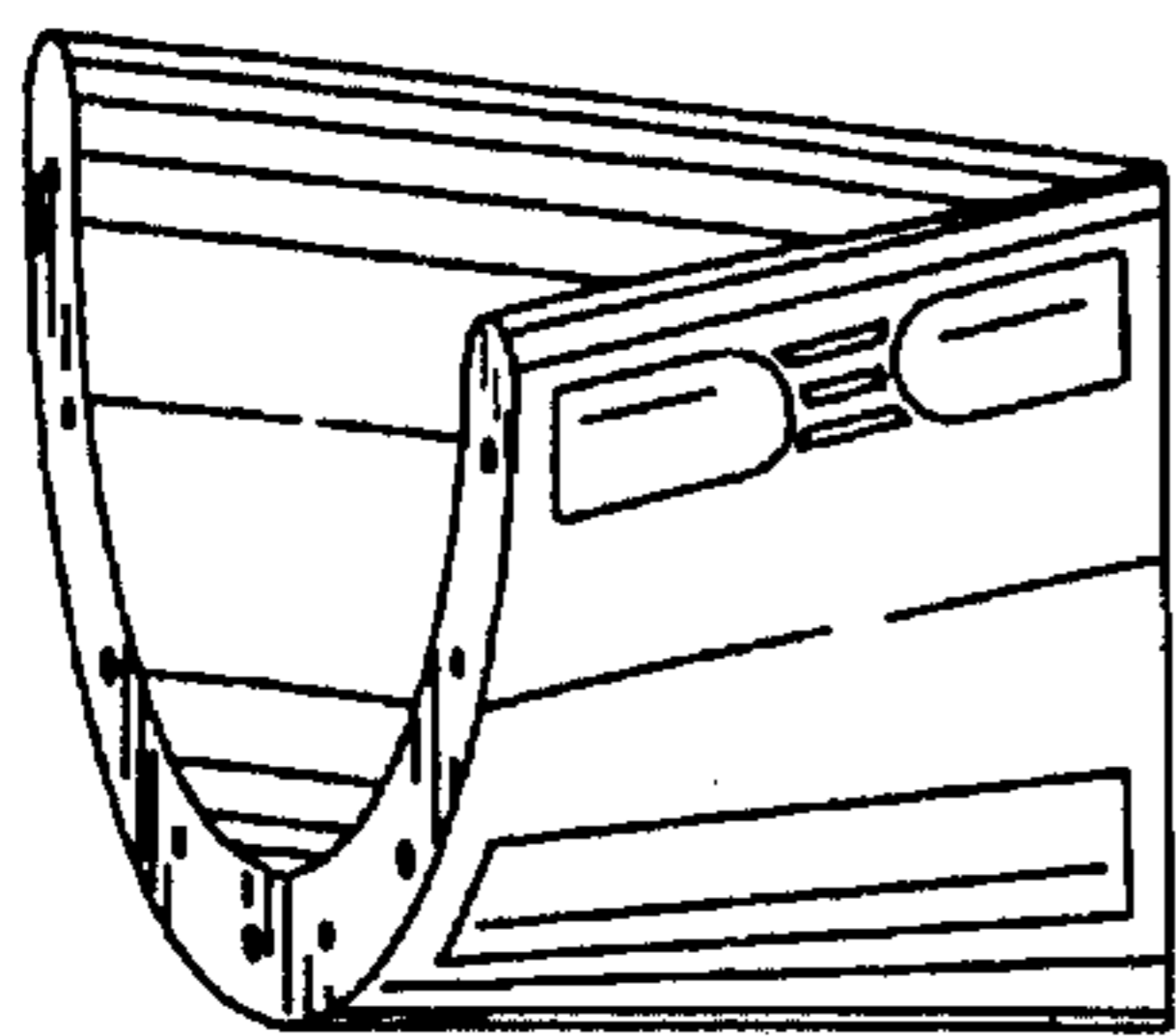


FIG. 1

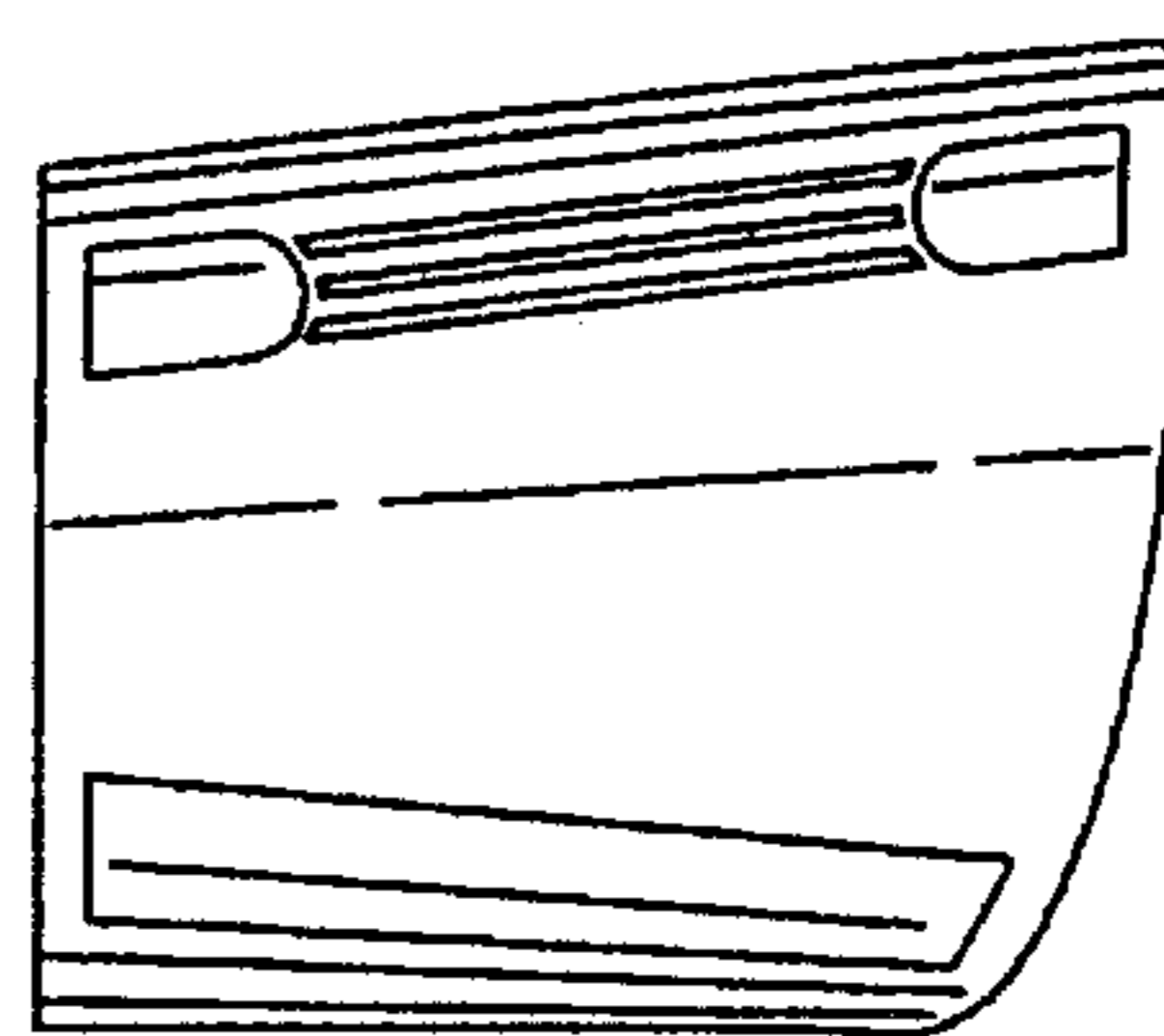


FIG. 2

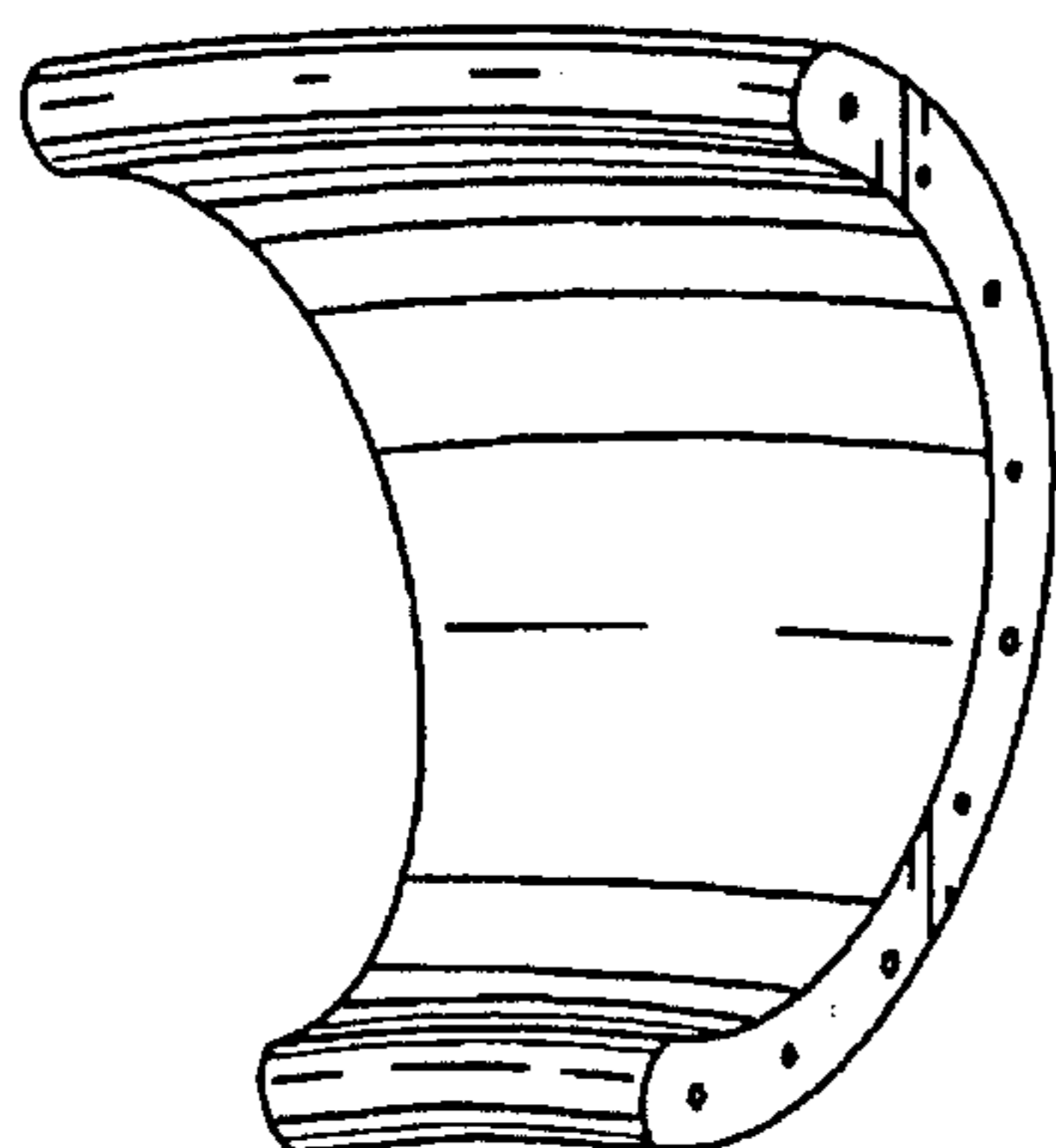


FIG. 3

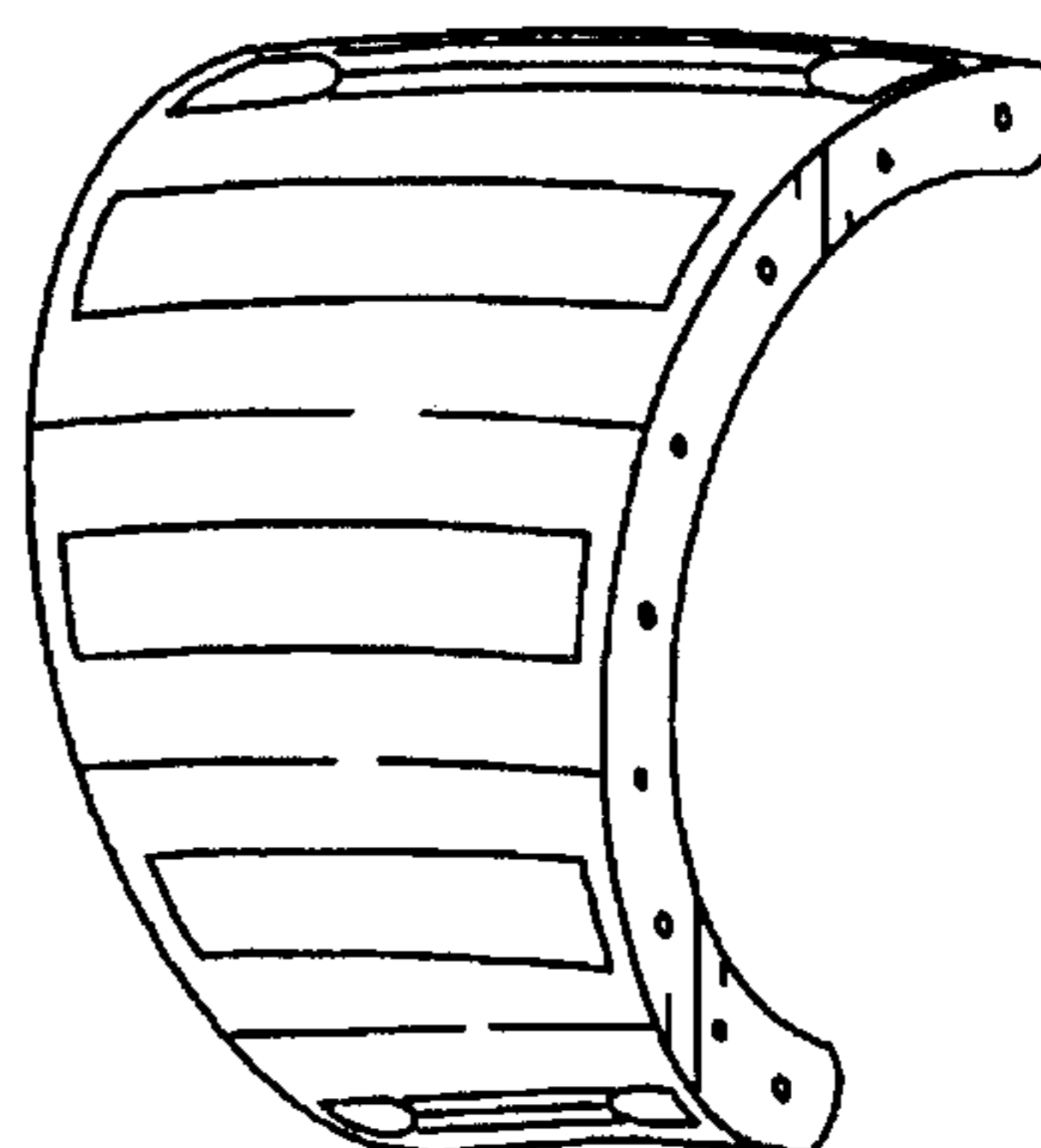


FIG. 4

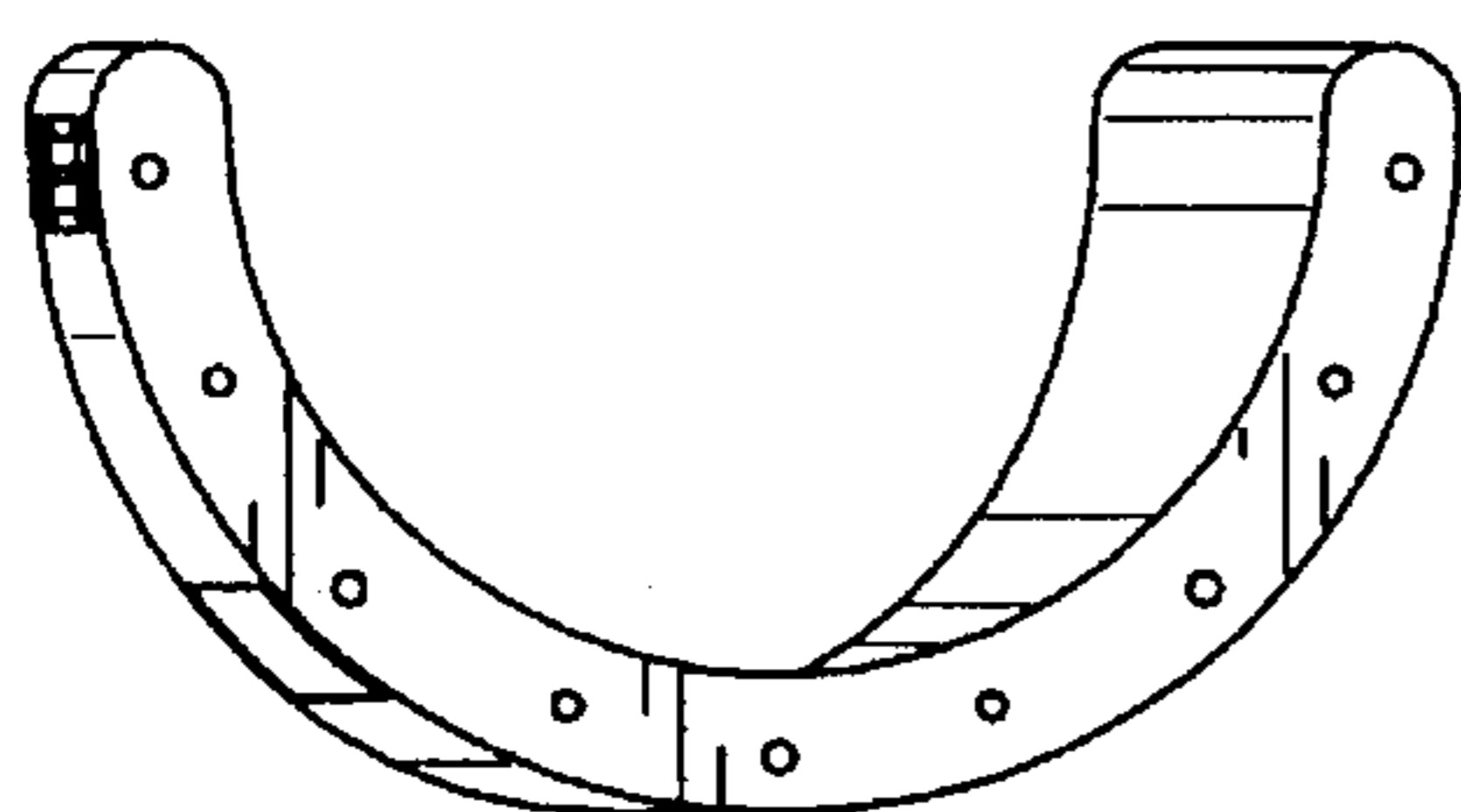


FIG. 5

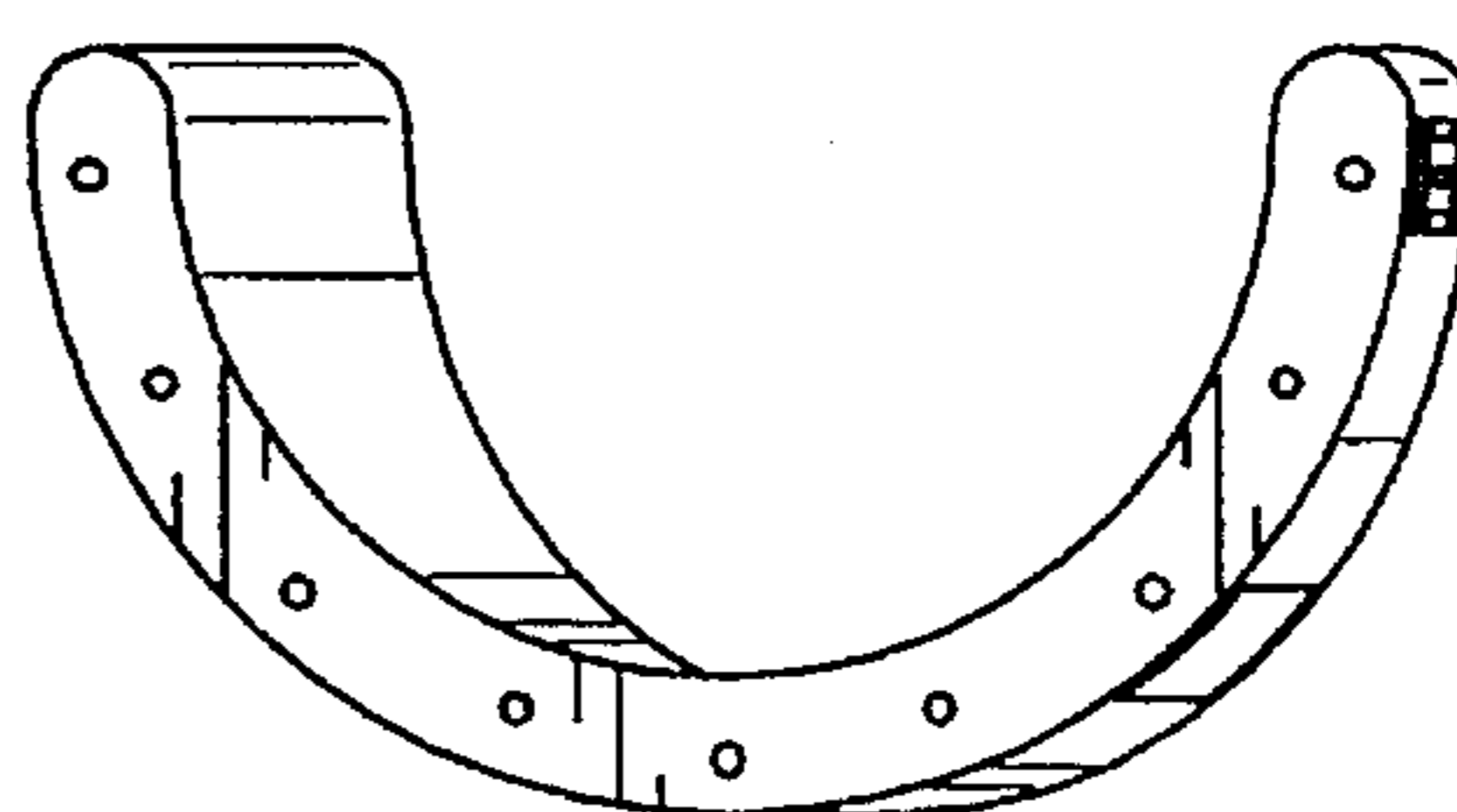


FIG. 6

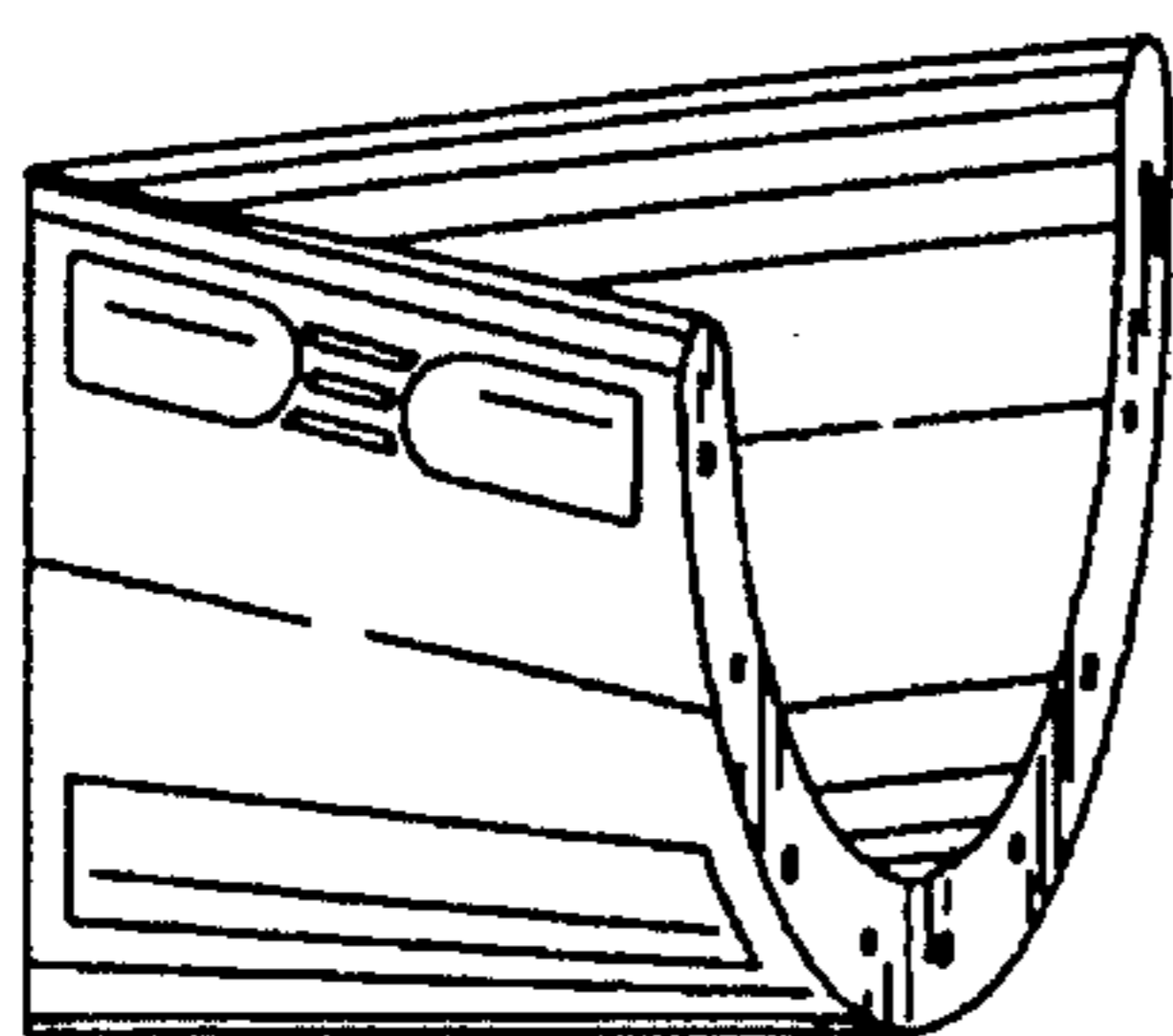


FIG. 7

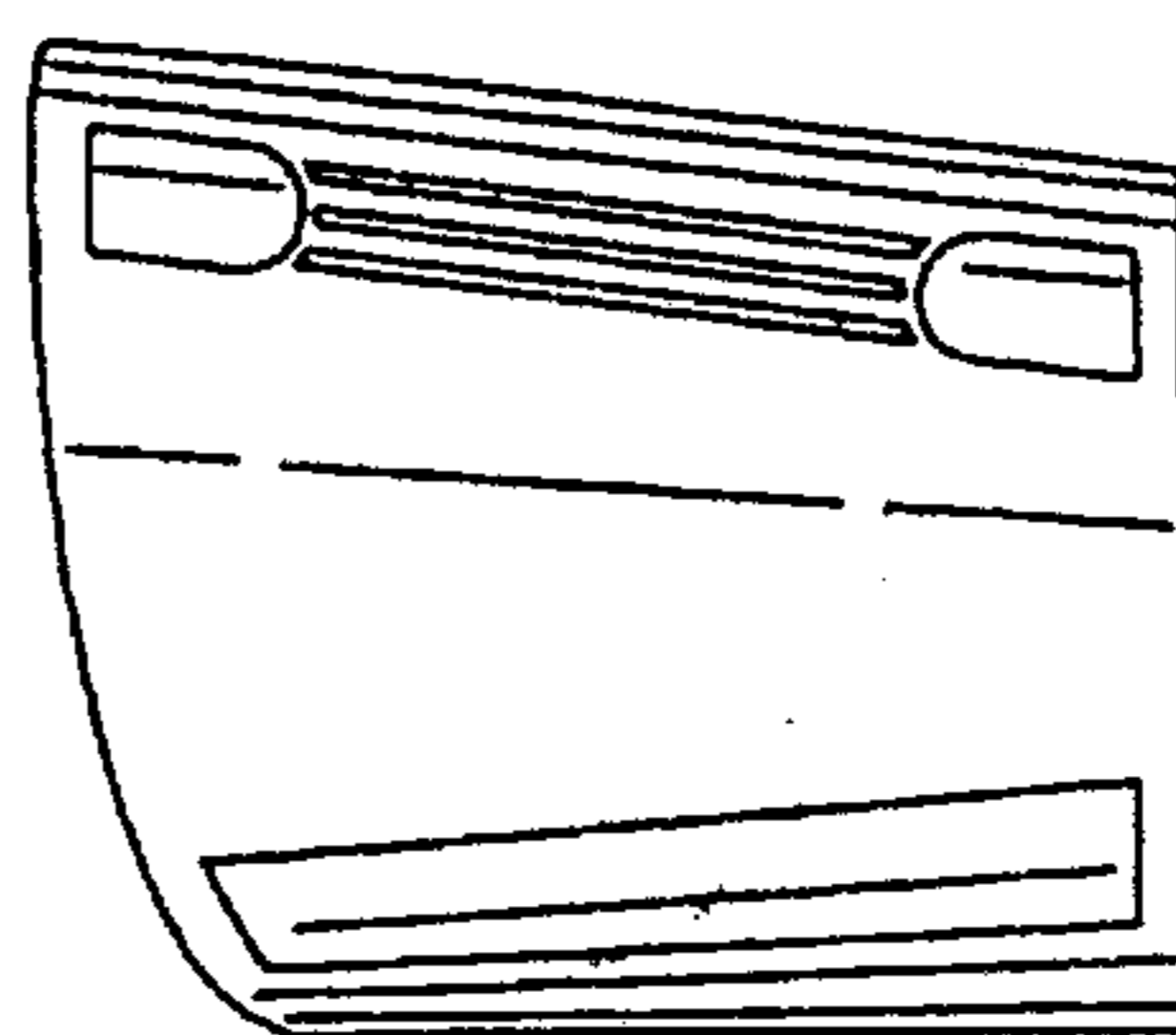


FIG. 8

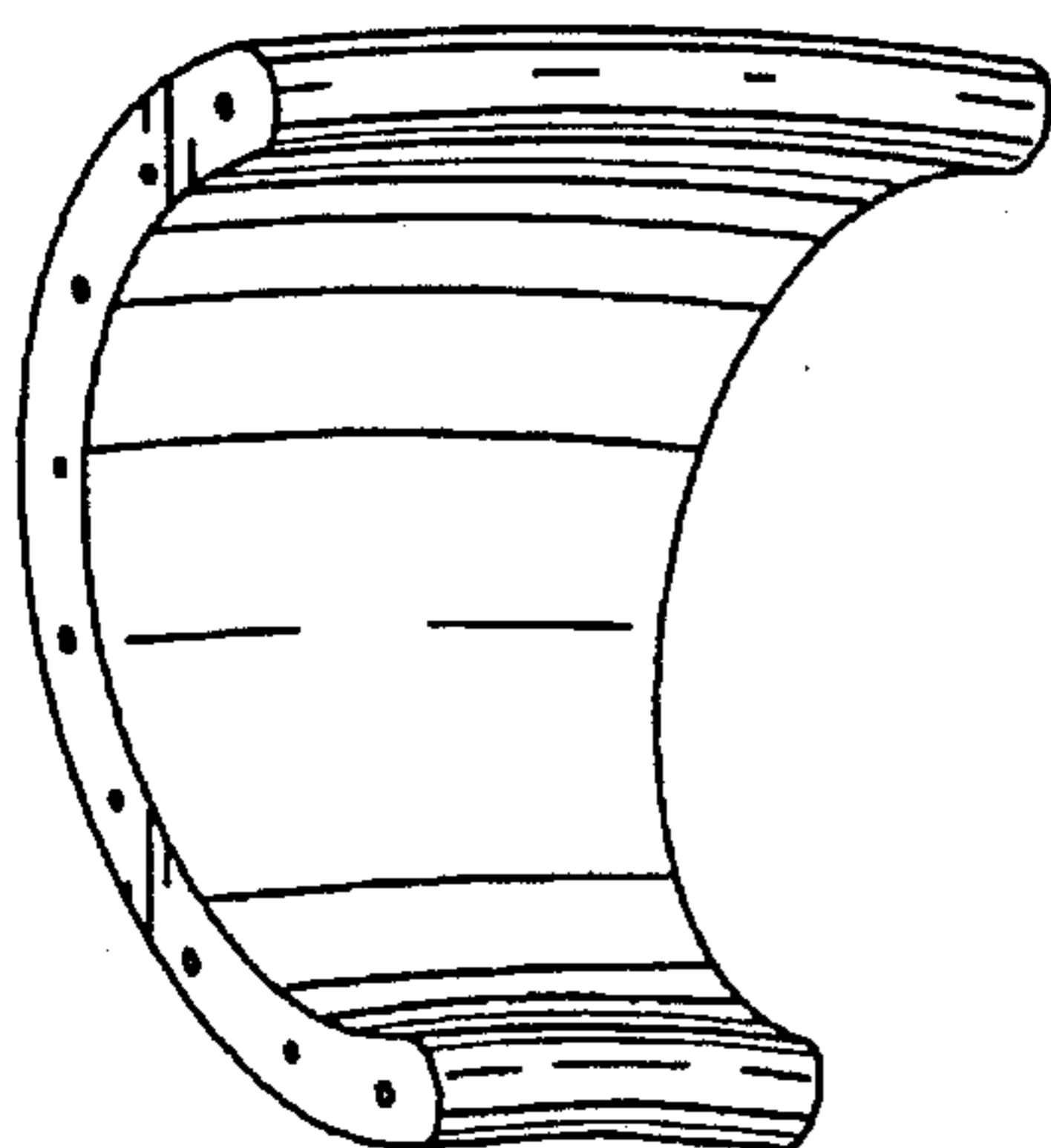


FIG. 9

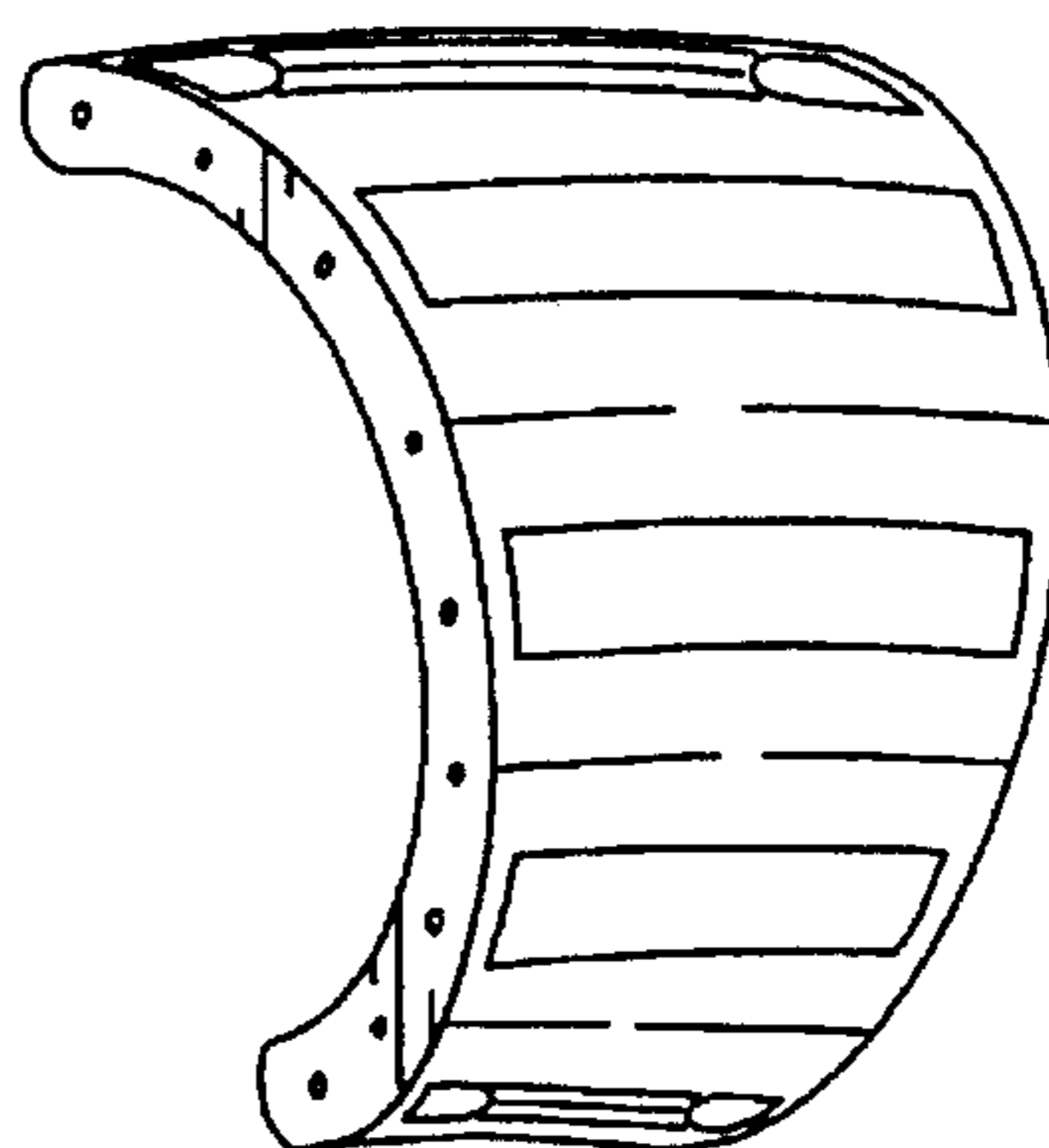


FIG. 10

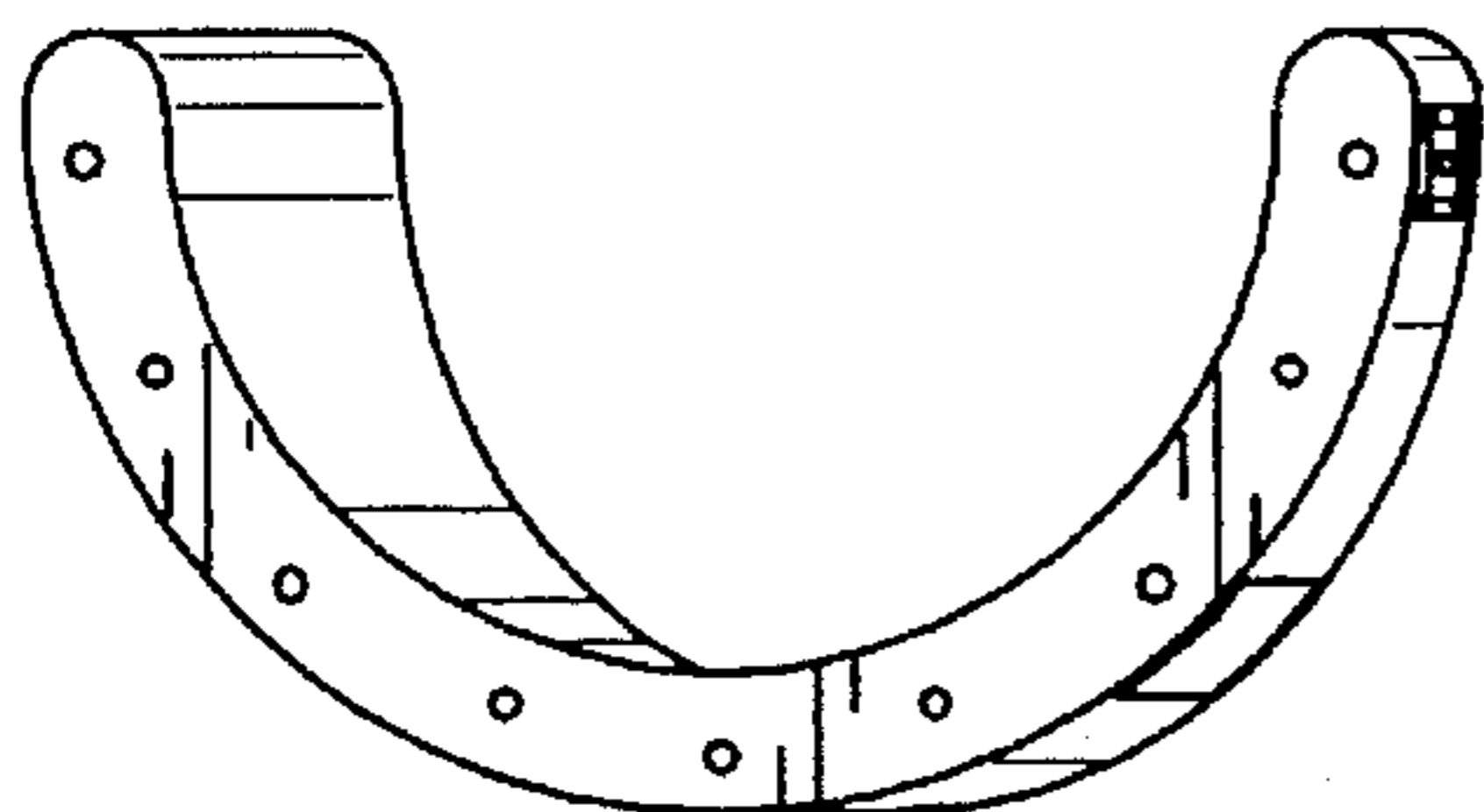


FIG. 11

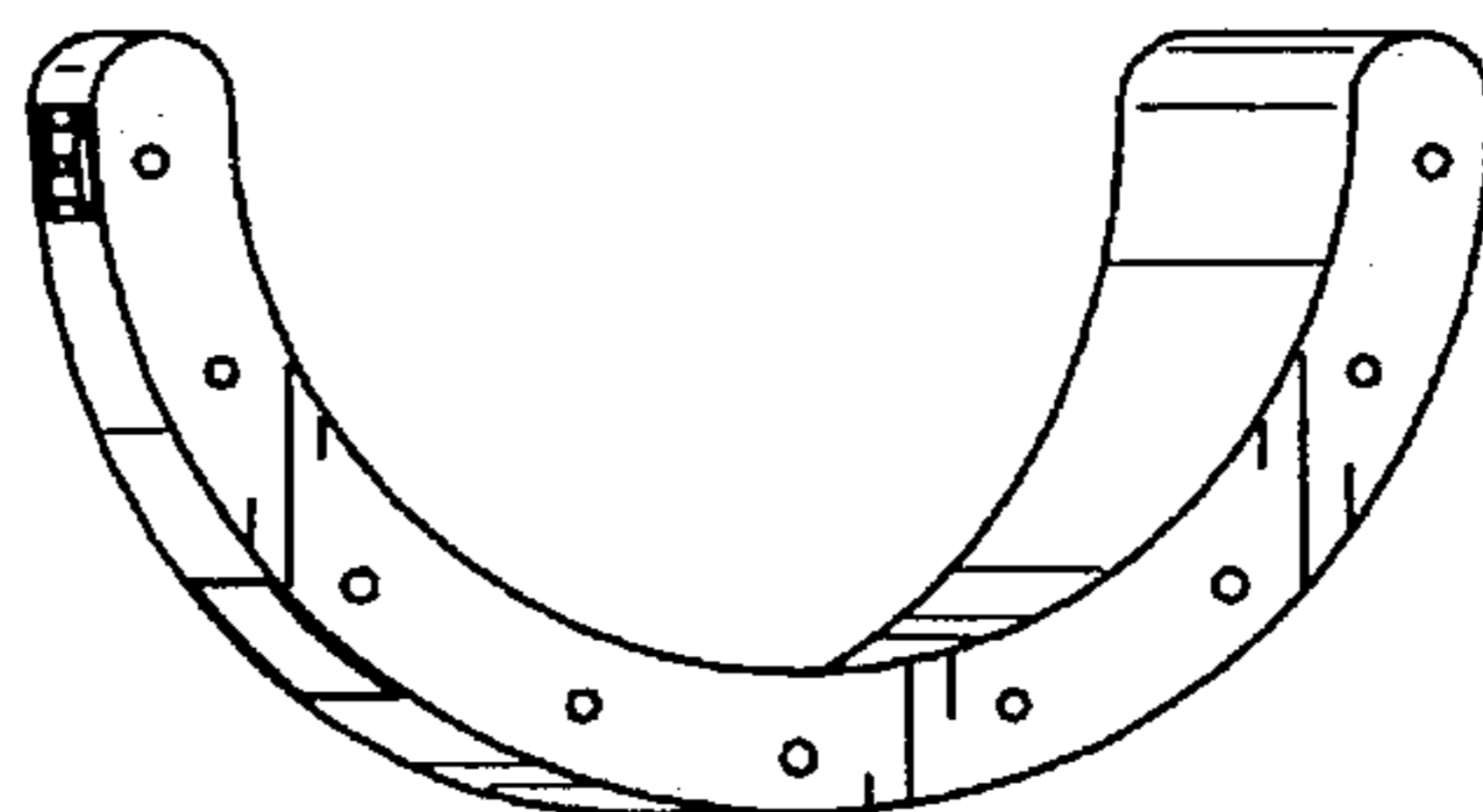


FIG. 12