



US00D375774S

United States Patent [19]
Harrold

[11] **Patent Number: Des. 375,774**

[45] **Date of Patent: **Nov. 19, 1996**

[54] **GOLF SWING TRAINING DEVICE**

[76] **Inventor: Peter Harrold, 6955 Hanging Moss Rd., #103, Orlando, Fla. 32807**

[**] **Term: 14 Years**

[21] **Appl. No.: 45,307**

[22] **Filed: Oct. 16, 1995**

[52] **U.S. Cl. D21/234**

[58] **Field of Search D21/234; 473/257, 473/258, 259**

[56] **References Cited**

U.S. PATENT DOCUMENTS

D. 336,121	6/1993	Bellagamba	D21/234
D. 336,673	6/1993	Ohly et al.	D21/234
3,583,707	6/1971	Fujimoto .	
4,852,881	8/1989	Bellagamba et al. .	
5,026,065	6/1991	Bellagamba .	
5,429,367	7/1995	Amos .	
5,441,275	8/1995	Yoshishita .	

OTHER PUBLICATIONS

"Golf Digest", Jan. 1991, p. 35, the Perfect Swing Trainer by Richard Ohly.

Primary Examiner—Prabhakar G. Deshmukh

Assistant Examiner—Cheri Cohen

Attorney, Agent, or Firm—Edward M. Livingston, Esq.

[57] **CLAIM**

The ornamental design for a golf swing training device, as described and shown.

DESCRIPTION

FIG. 1 is a perspective view of the golf swing training device;

FIG. 2 is a front elevation view thereof;

FIG. 3 is a left side elevation view thereof;

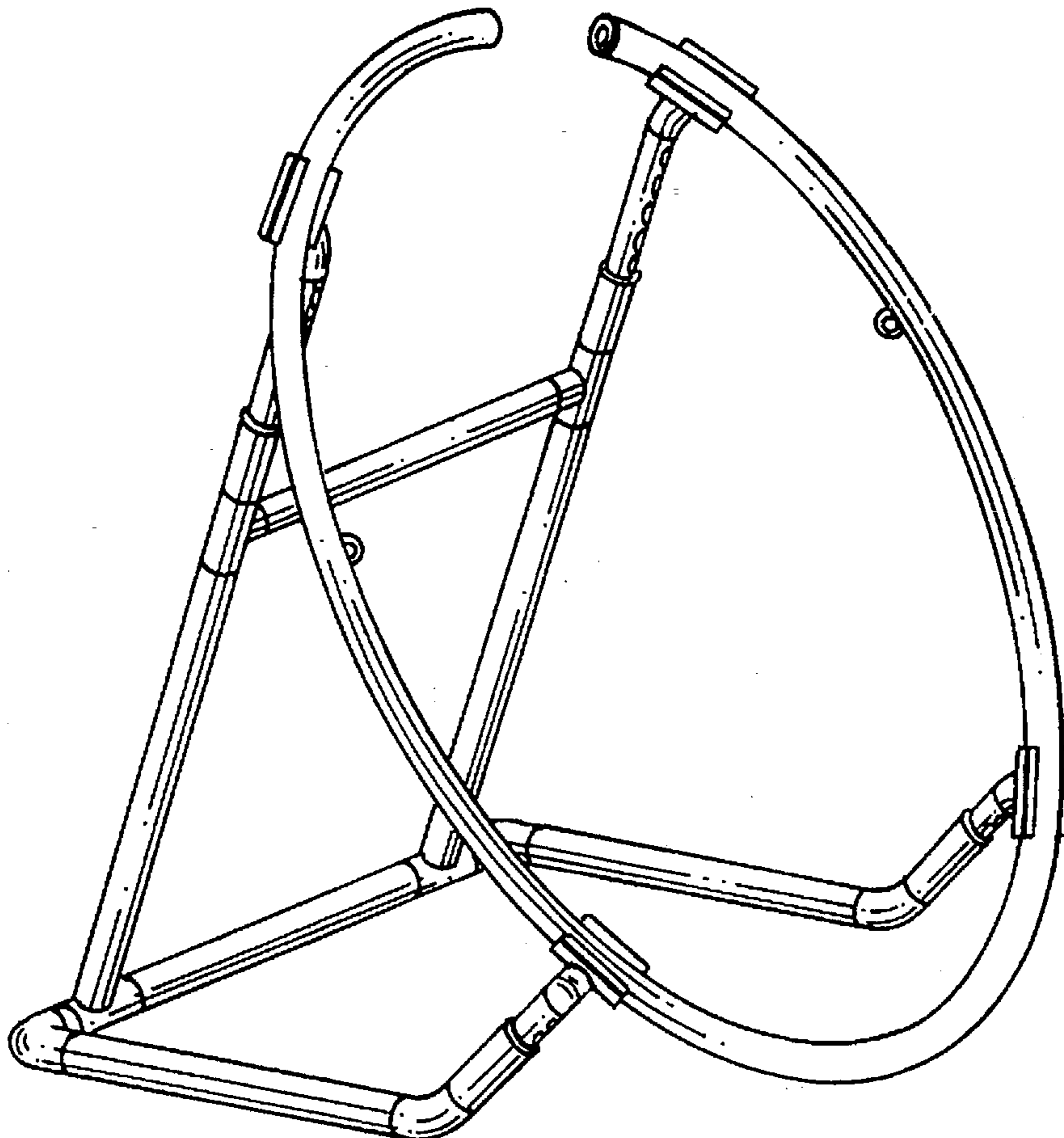
FIG. 4 is a right side elevation view thereof;

FIG. 5 is a rear elevation view thereof;

FIG. 6 is a top view thereof; and,

FIG. 7 is a bottom view thereof.

1 Claim, 1 Drawing Sheet



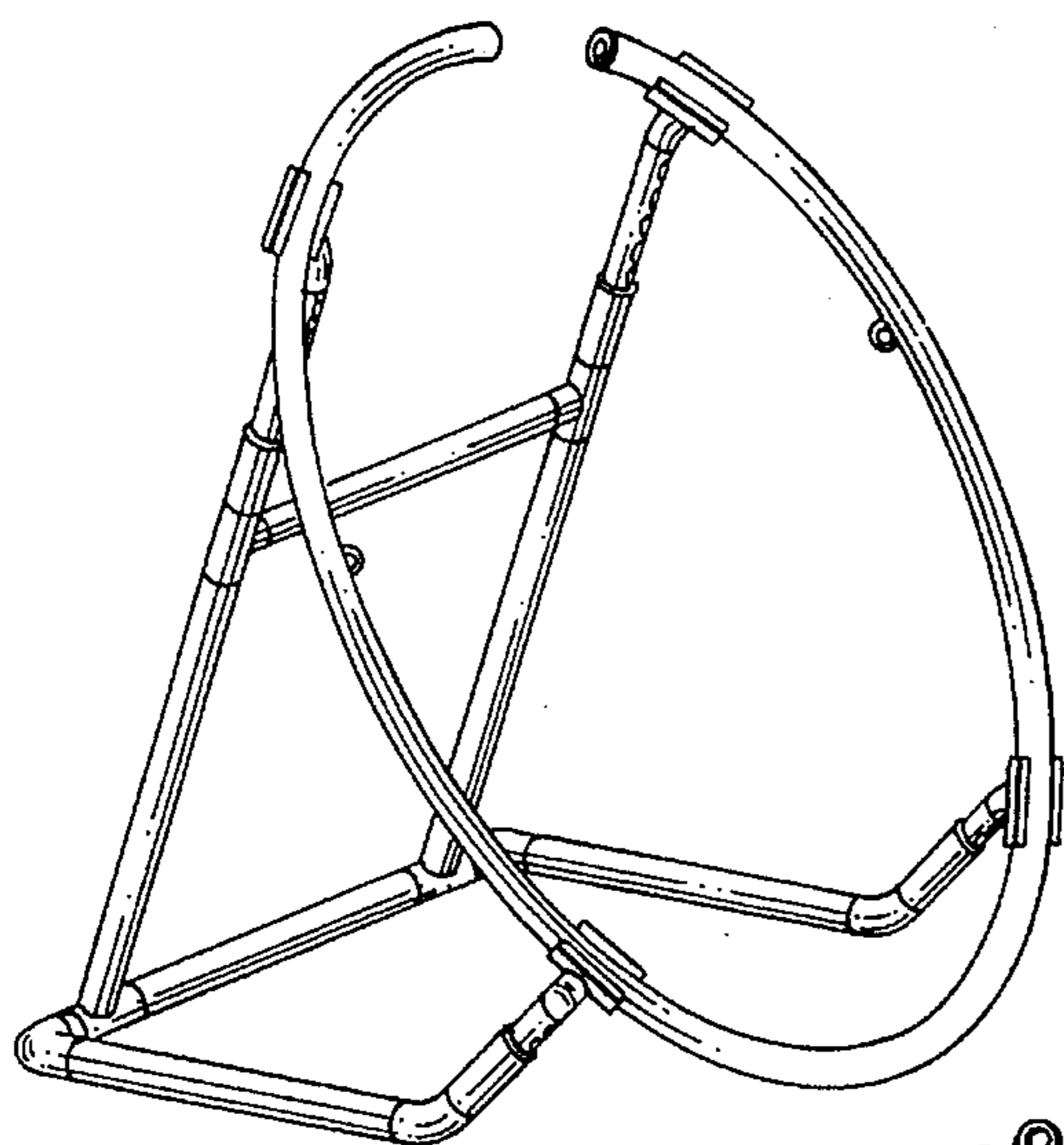


FIG. 1

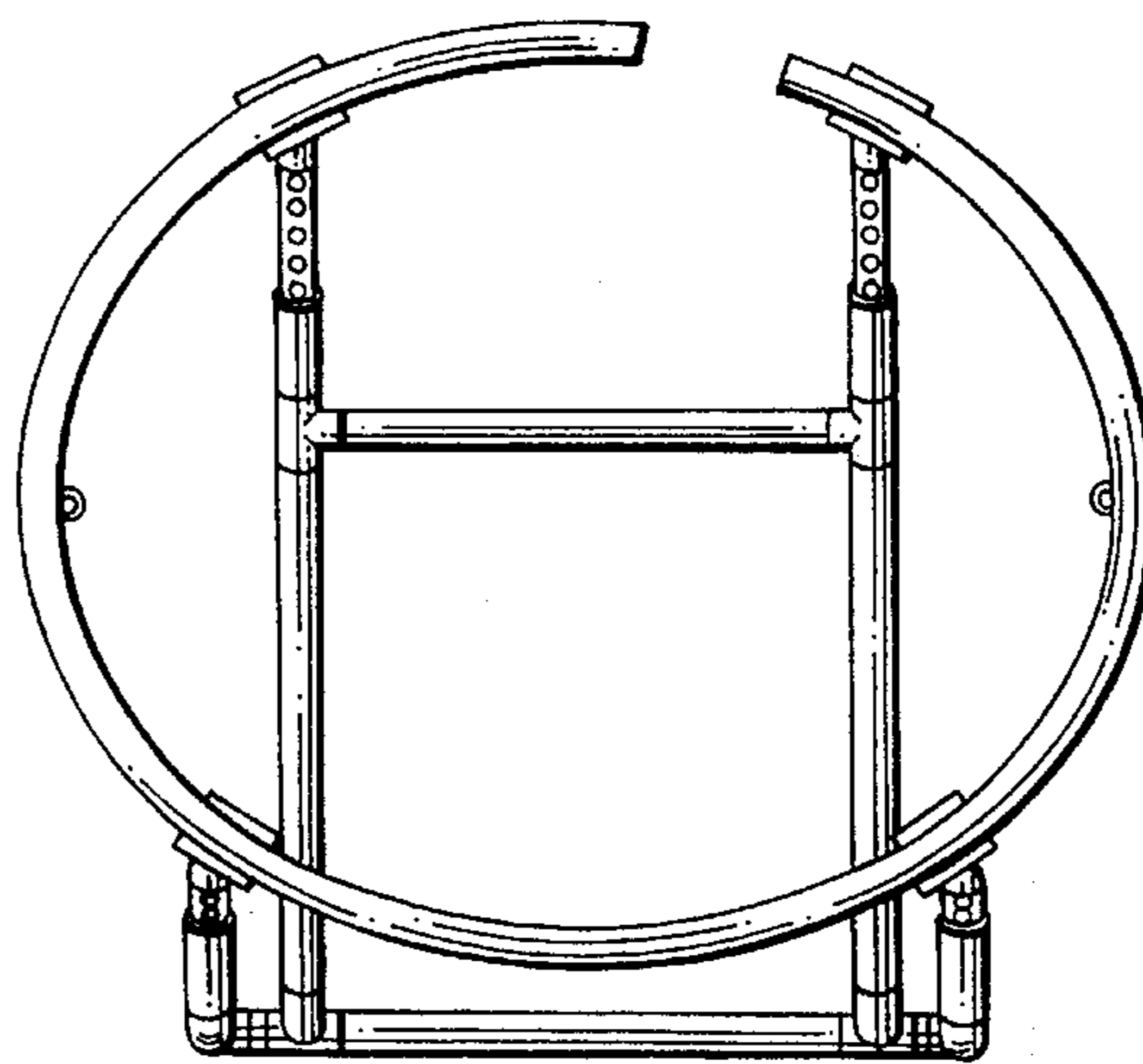


FIG. 2

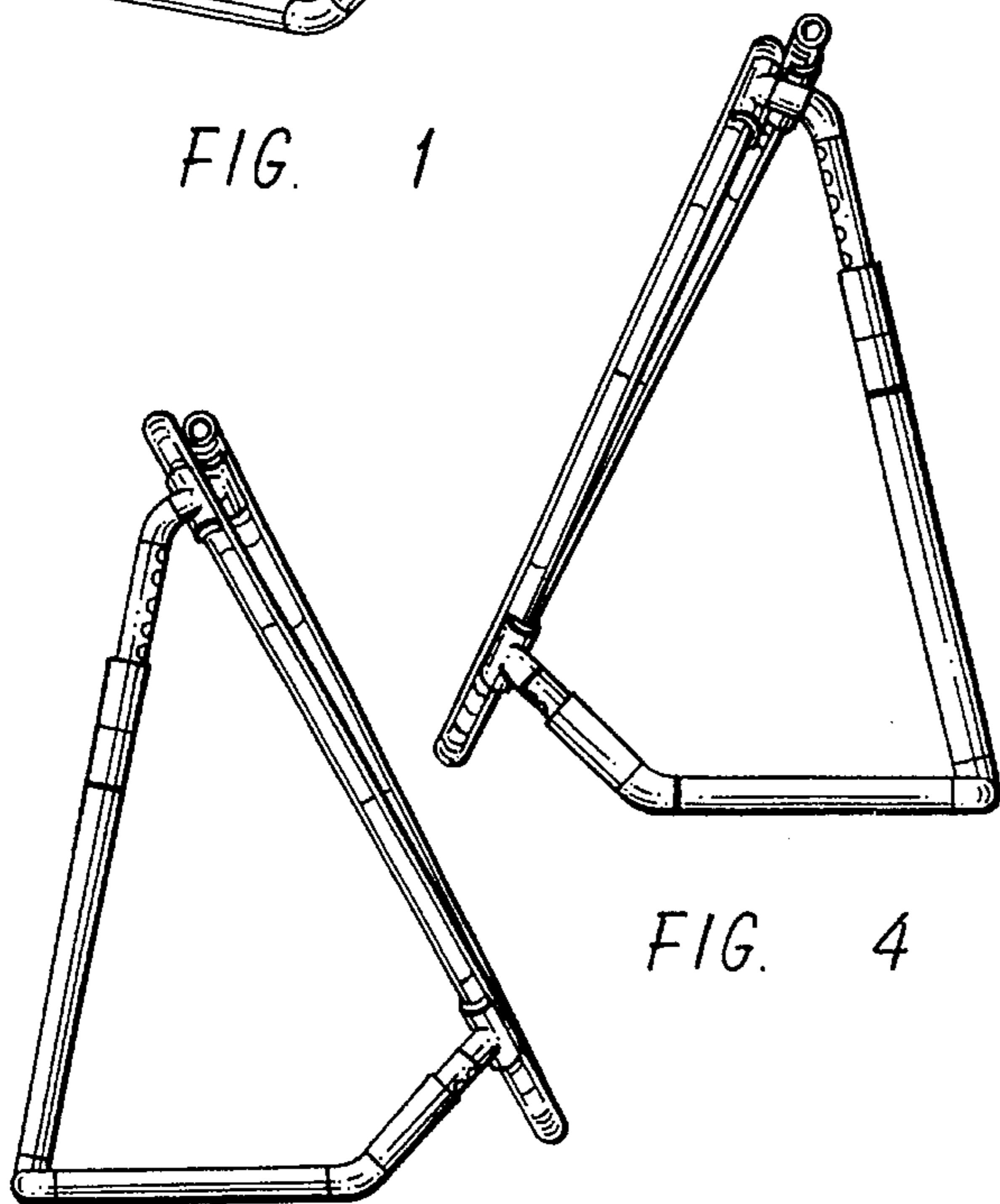


FIG. 4

FIG. 3

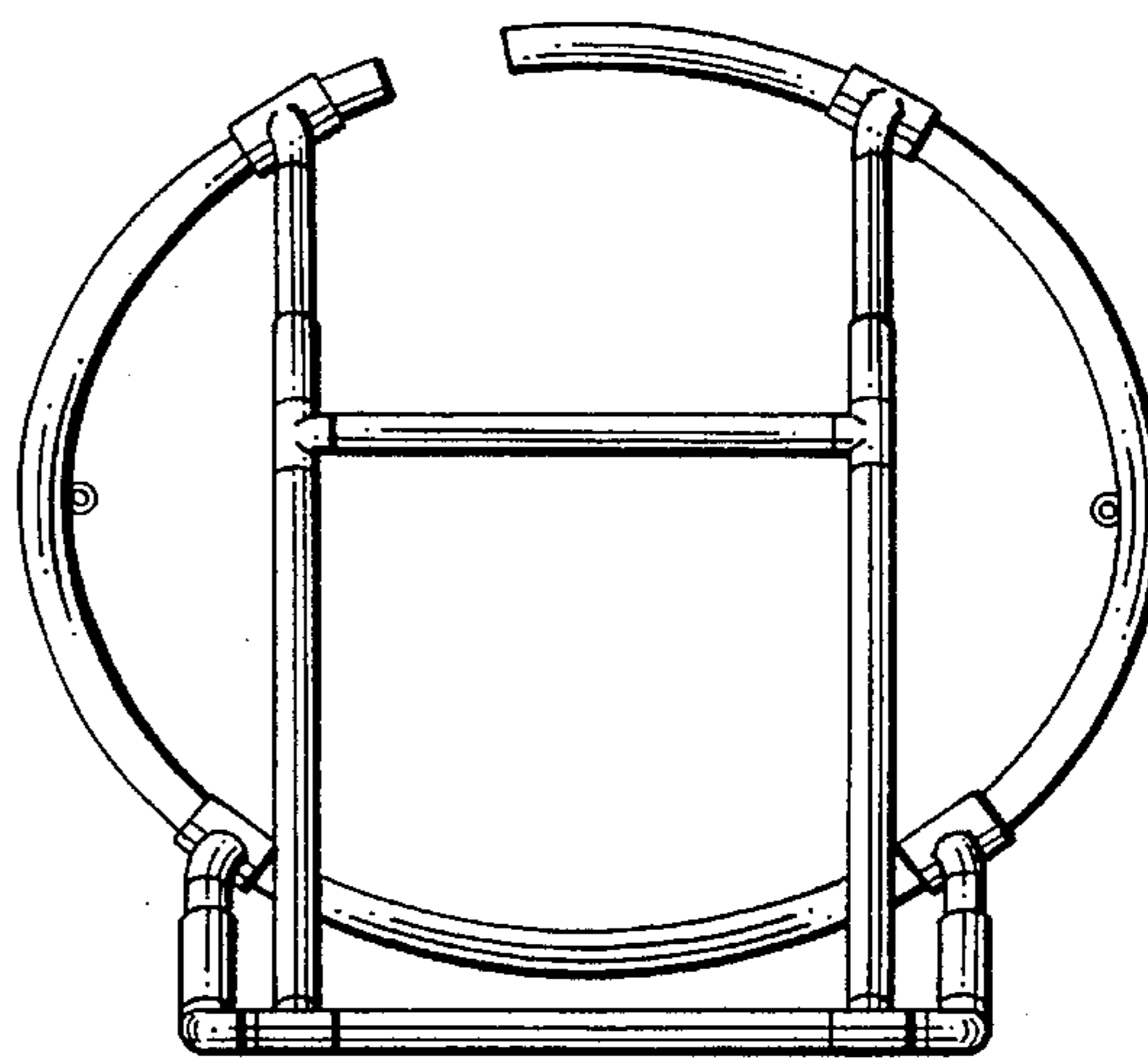


FIG. 5

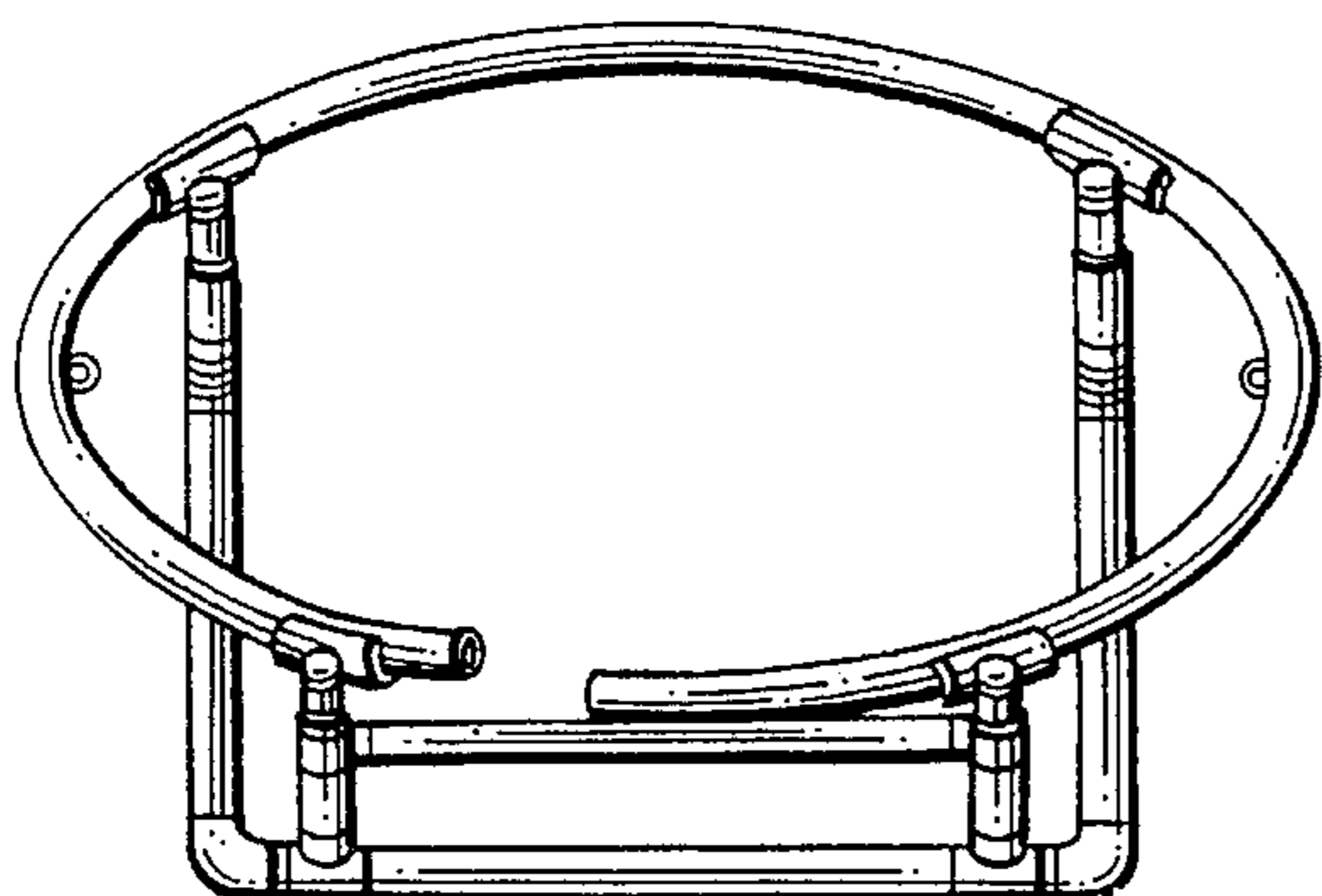


FIG. 6

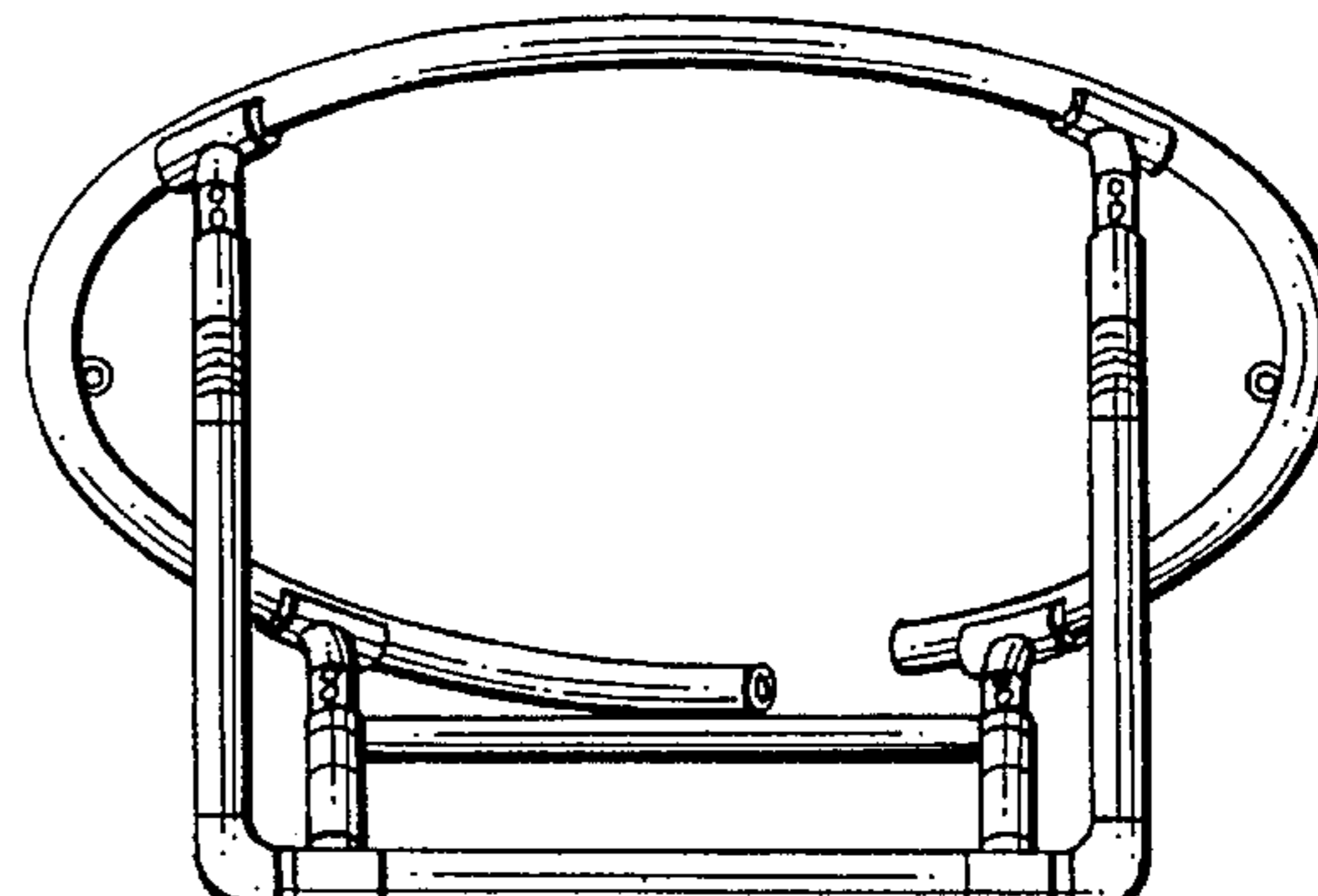


FIG. 7